



US00D686195S

(12) **United States Design Patent**
Hong et al.

(10) **Patent No.:** **US D686,195 S**
(45) **Date of Patent:** **** Jul. 16, 2013**

(54) **REMOTE CONTROLLER**

(75) Inventors: **Seok-Won Hong**, Seoul (KR); **Jin Kwon**, Seoul (KR)

(73) Assignee: **Samsung Electronics Co., Ltd.**, Suwon, Kyunggi-do (KR)

(**) Term: **14 Years**

(21) Appl. No.: **29/406,647**

(22) Filed: **Nov. 17, 2011**

(30) **Foreign Application Priority Data**

Sep. 21, 2011 (KR) 30-2011-0039102

(51) **LOC (9) Cl.** **14-03**

(52) **U.S. Cl.**
USPC **D14/218**

(58) **Field of Classification Search**
USPC D14/218, 455; D13/168; D21/566; D10/104,
D10/106; 345/169; 348/14.05, 114, 211.99,
348/734; 340/825.24; 341/22; 455/92, 95,
455/128, 151.1-151.4, 352, 355, FOR. 121;
700/65

See application file for complete search history.

(56) **References Cited**

U.S. PATENT DOCUMENTS

D409,201 S	5/1999	Barraza et al.	
D515,041 S	2/2006	Yun et al.	
D516,545 S *	3/2006	Lai	D14/218
D521,459 S	5/2006	Yun et al.	
D521,986 S *	5/2006	Depay et al.	D14/218
D525,212 S	7/2006	Kim	
D528,511 S *	9/2006	Li	D13/168
D531,993 S	11/2006	Choi et al.	
D532,779 S	11/2006	Kim et al.	
D546,320 S	7/2007	Choi	
D551,632 S	9/2007	Kim	
D555,107 S	11/2007	Choi et al.	

D559,201 S	1/2008	Oh et al.	
D559,202 S	1/2008	Sim et al.	
D564,977 S	3/2008	Youn et al.	
D577,713 S	9/2008	Kim et al.	
D583,363 S	12/2008	Song et al.	
D597,082 S	7/2009	Bang et al.	
D602,915 S	10/2009	Song et al.	
D602,916 S	10/2009	Won et al.	
D609,221 S	2/2010	Kim et al.	
D609,222 S *	2/2010	Shin	D14/218
D611,433 S *	3/2010	Tang et al.	D13/168
D618,666 S	6/2010	Shin	
D621,372 S	8/2010	Won et al.	
D625,276 S	10/2010	Won et al.	
D626,535 S *	11/2010	Kim et al.	D14/218
D629,764 S *	12/2010	de Swarte et al.	D13/168

(Continued)

OTHER PUBLICATIONS

U.S. Appl. No. 29/349,413, Applicant: Kyoung-Hoon Kim, et al.,
entitled Remote Controller for Television Receiver.

(Continued)

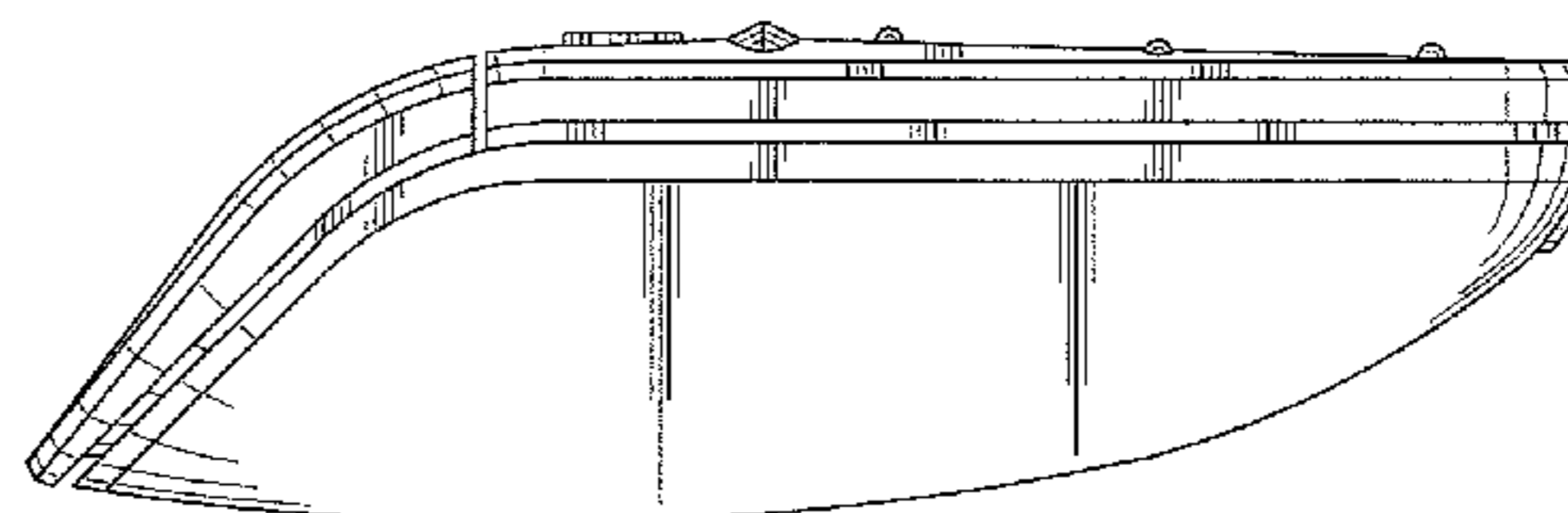
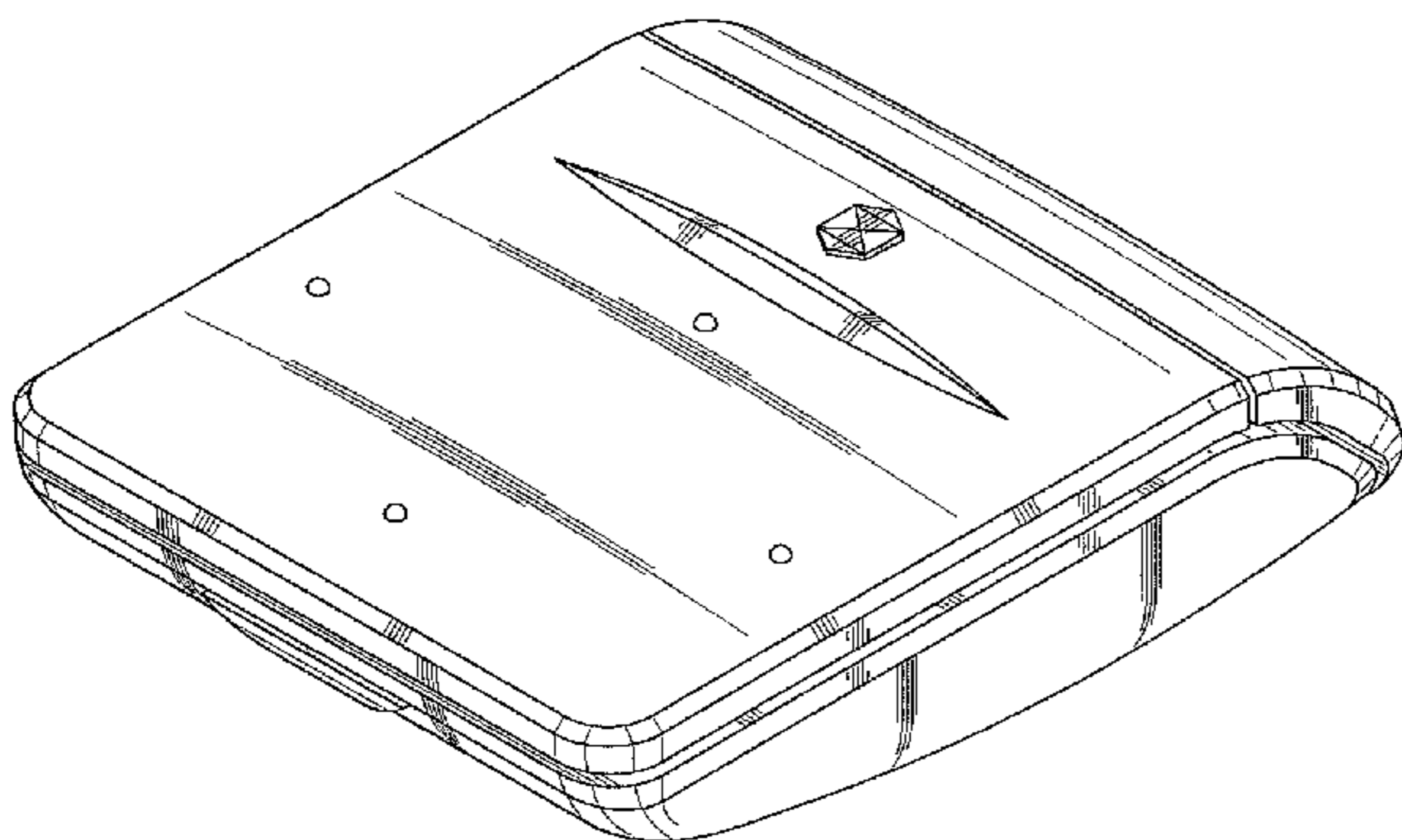
Primary Examiner — John Windmuller
(74) *Attorney, Agent, or Firm* — Flynn, Thiel, Boutell &
Tanis, P.C.

(57) **CLAIM**
The ornamental design for a remote controller, as shown and
described.

DESCRIPTION

FIG. 1 is a top front perspective view of a remote controller
showing our new design;
FIG. 2 is a front elevational view thereof;
FIG. 3 is a rear elevational view thereof;
FIG. 4 is a left side elevational view thereof;
FIG. 5 is a right side elevational view thereof;
FIG. 6 is a top plan view thereof; and,
FIG. 7 is a bottom plan view thereof.

1 Claim, 3 Drawing Sheets



US D686,195 S

Page 2

U.S. PATENT DOCUMENTS

D631,036 S * 1/2011 Daniels D14/218
D631,853 S * 2/2011 Choi et al. D13/168
D632,264 S 2/2011 Choi et al.
D632,265 S 2/2011 Choi et al.
D634,715 S 3/2011 Choi et al.
D634,734 S 3/2011 Cho
D636,353 S 4/2011 Choi et al.
D639,782 S 6/2011 Kim
D643,659 S 8/2011 Choi et al.
D647,882 S 11/2011 Kim et al.
D647,883 S 11/2011 Kim et al.
D647,884 S * 11/2011 Moon et al. D14/218

D647,885 S 11/2011 Choi et al.
D648,326 S 11/2011 Sung et al.
D662,085 S * 6/2012 Yoshikawa et al. D14/218
D667,381 S * 9/2012 Rolli et al. D13/168

OTHER PUBLICATIONS

U.S. Appl. No. 29/404,268, Applicant: Jin-Ho Choi, et al., entitled Remote Controller.

U.S. Appl. No. 29/405,087, Applicant: Chang-Soo Noh, et al., entitled Remote Controller for TV Receiver.

* cited by examiner

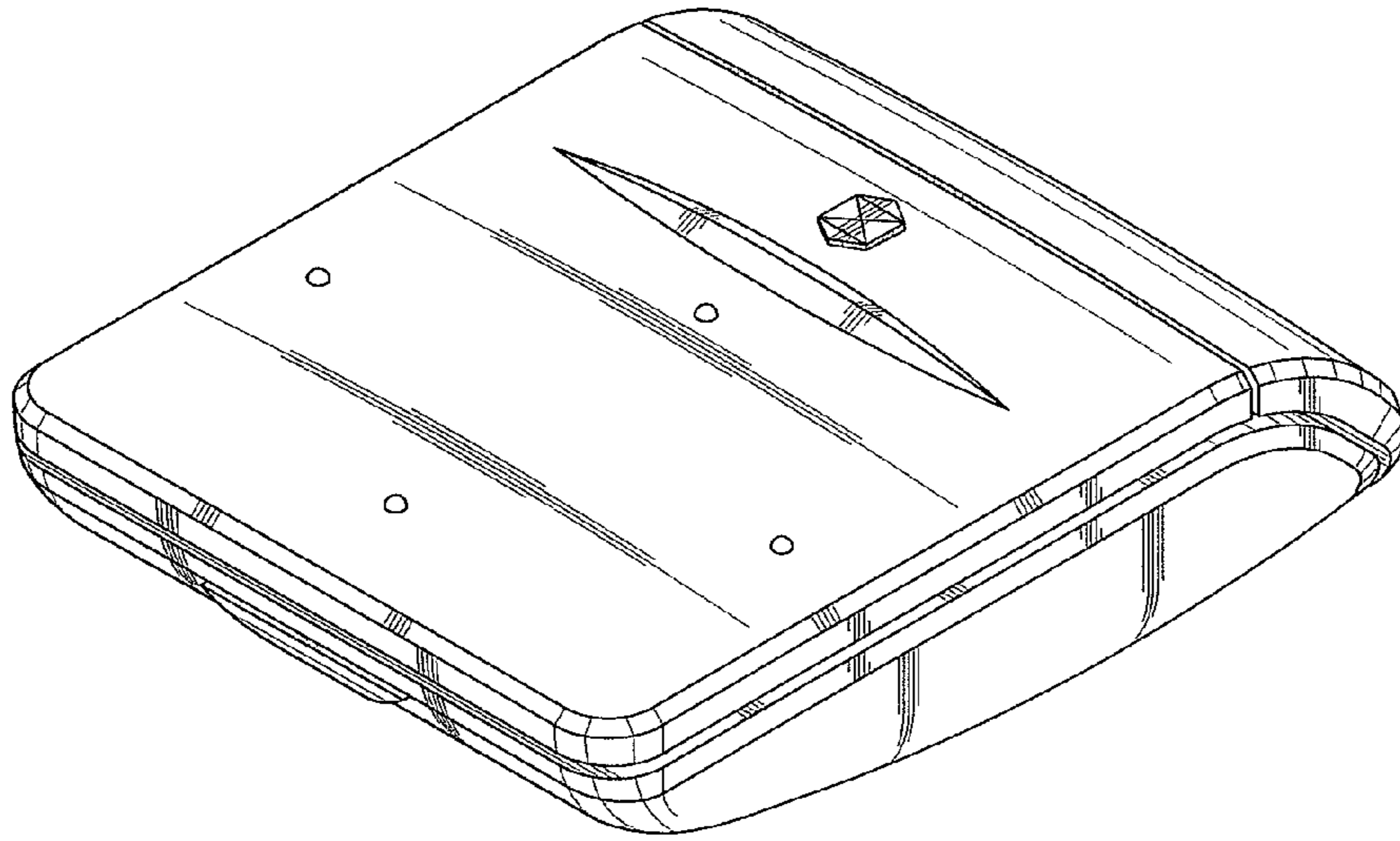


FIG.1

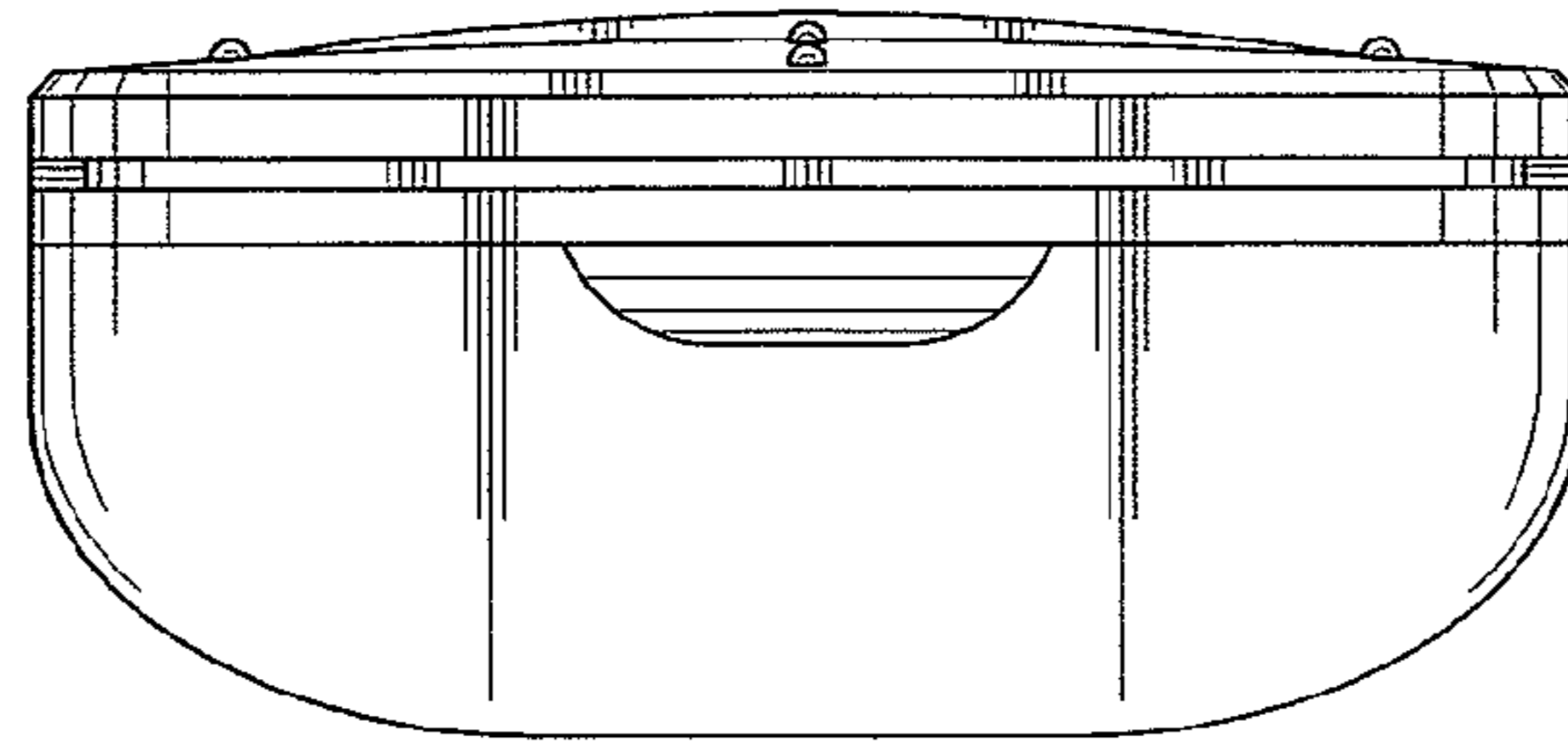


FIG. 2

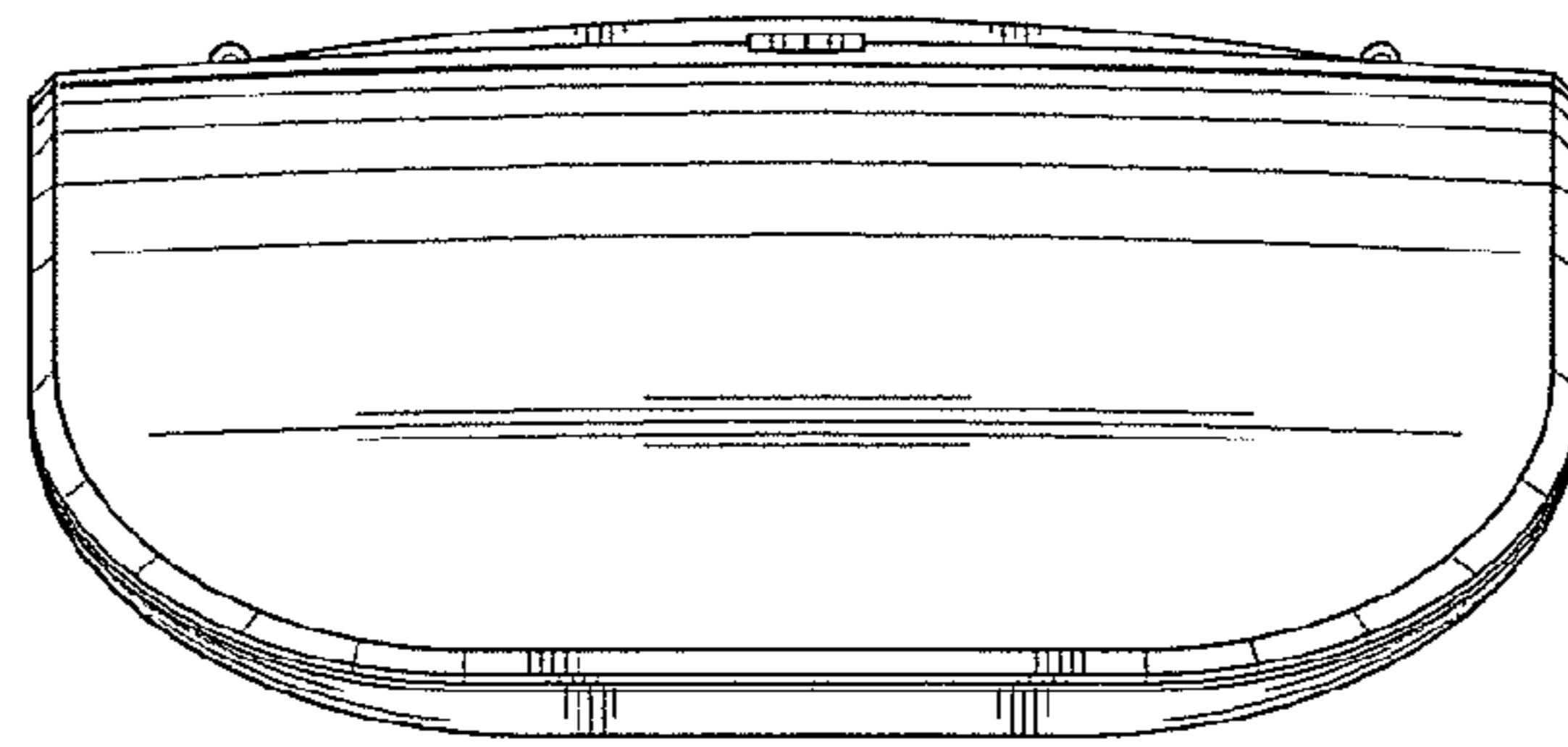


FIG. 3

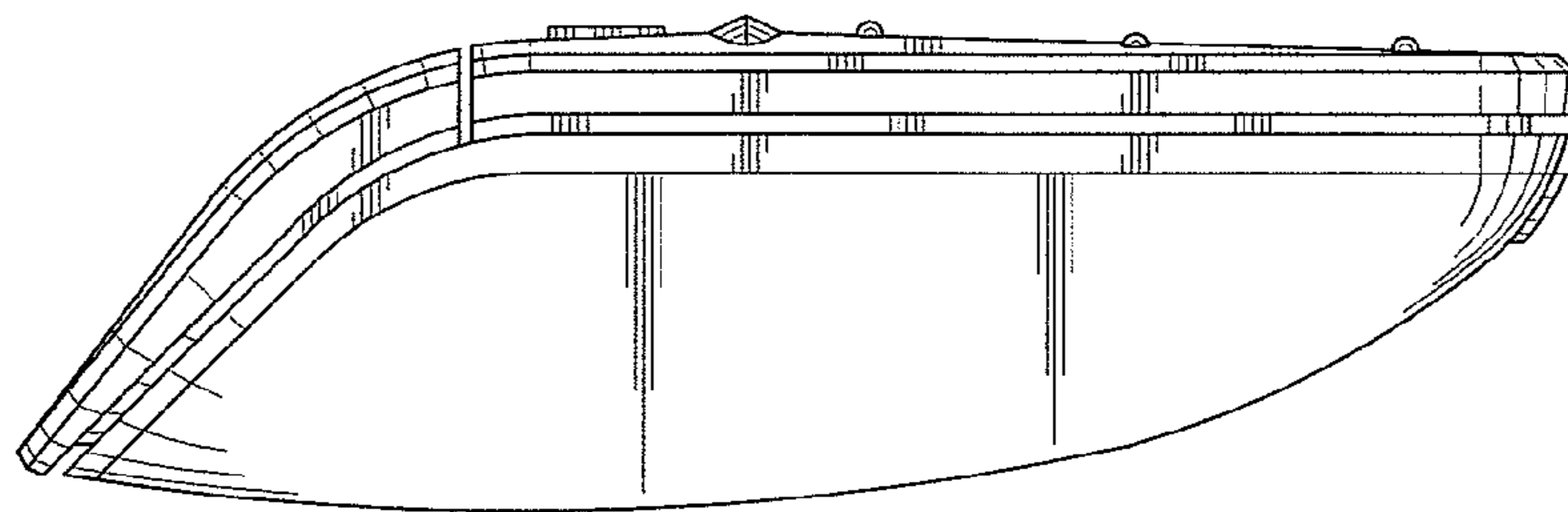


FIG. 4

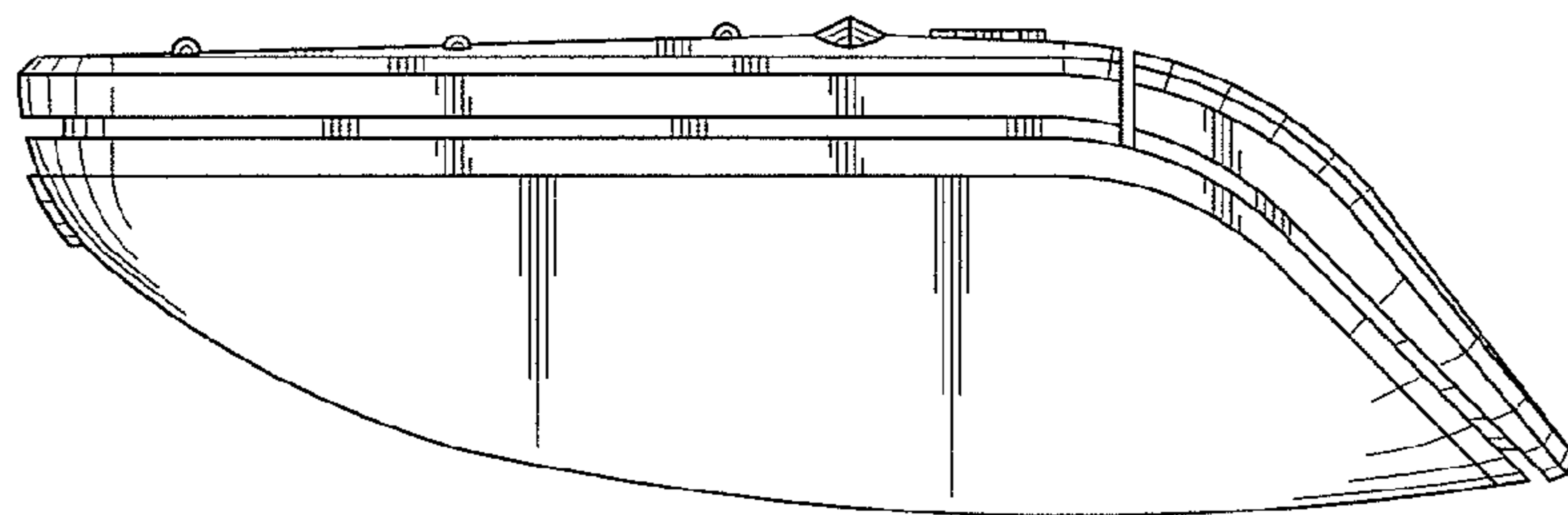


FIG. 5

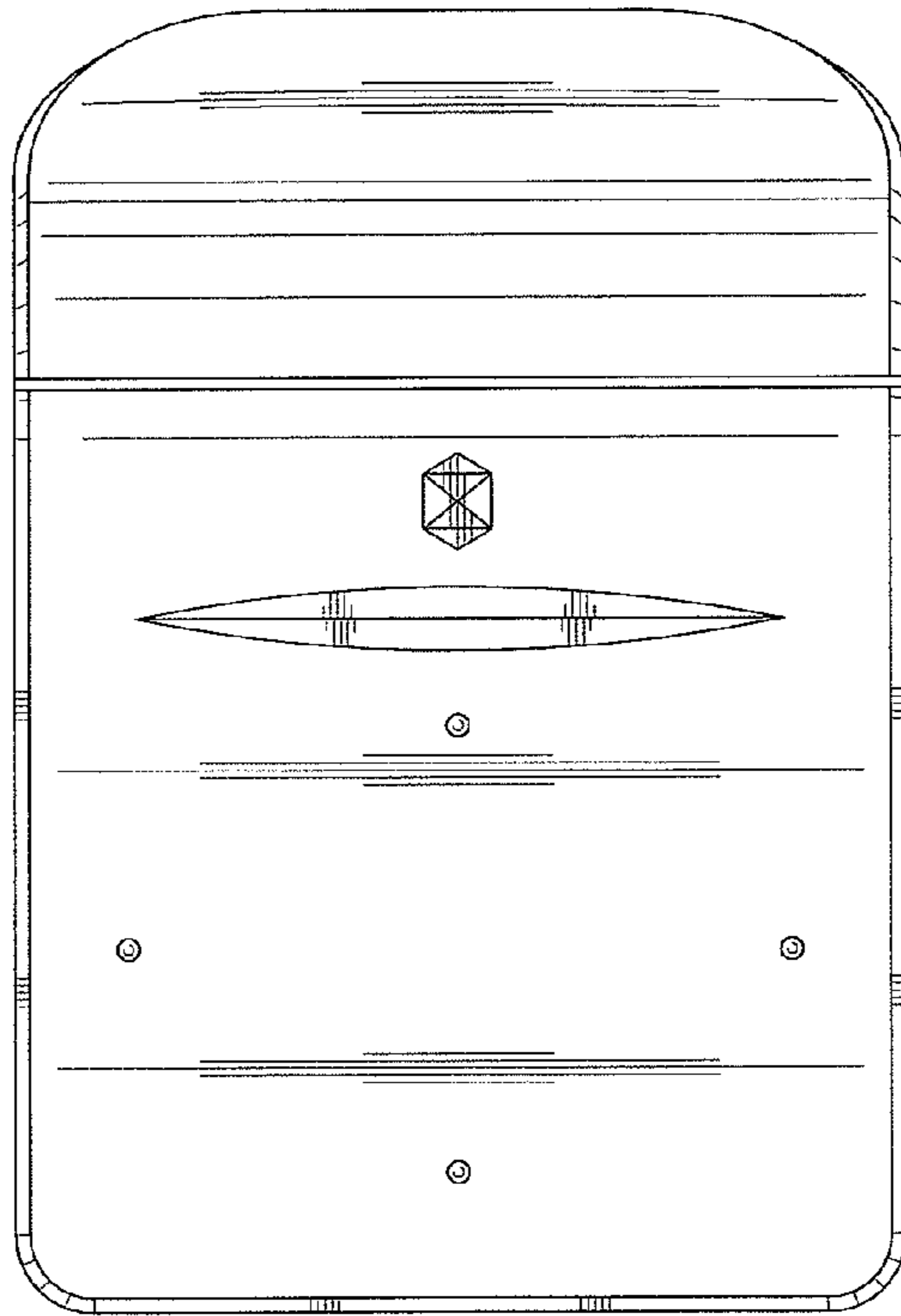


FIG. 6

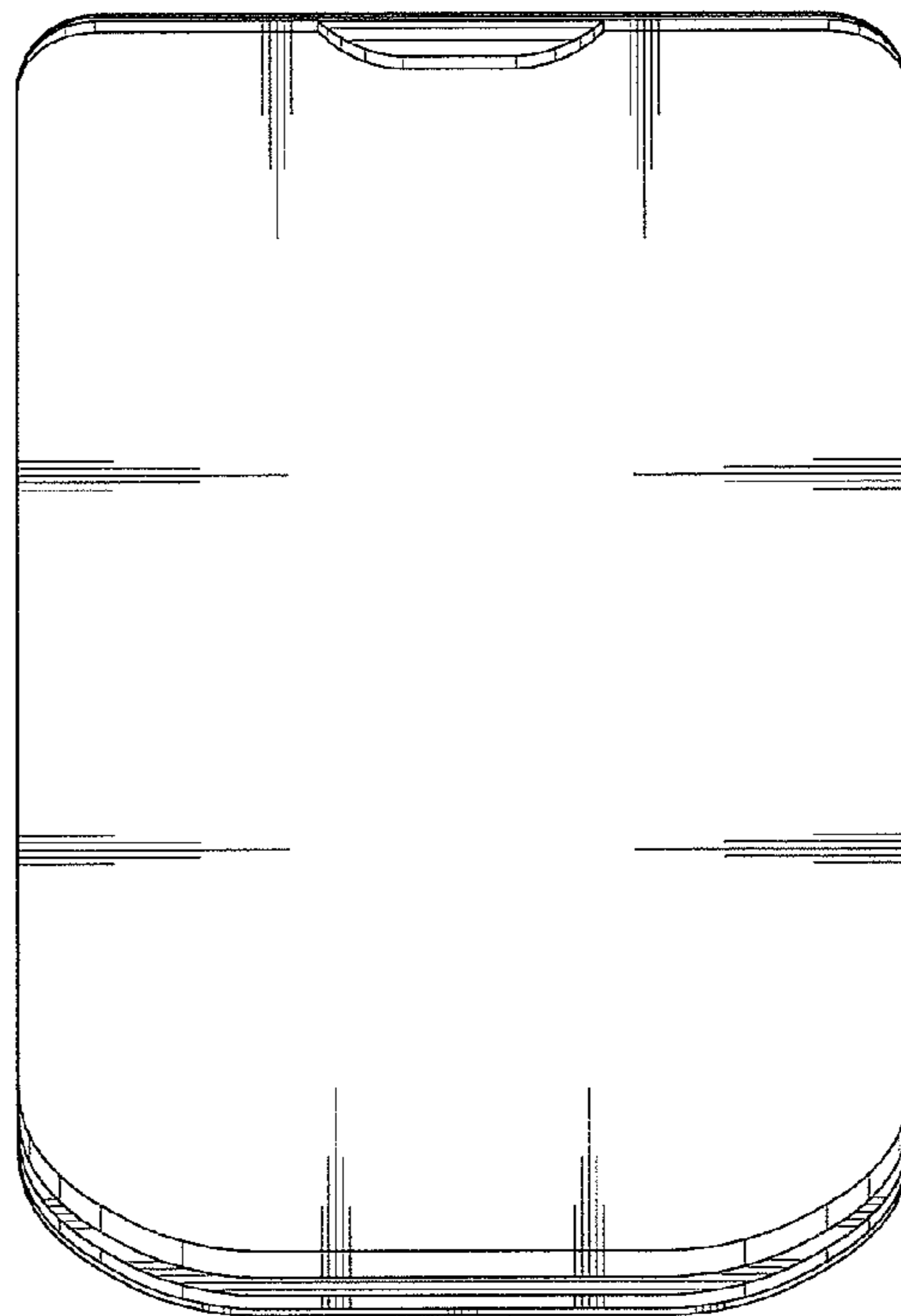


FIG. 7