



US00D686192S

(12) **United States Design Patent**
Widner et al.

(10) **Patent No.:** **US D686,192 S**
(45) **Date of Patent:** **** Jul. 16, 2013**

(54) **TRIANGLE SPEAKER WITH RETRACTABLE MEMBERS**

D641,338 S * 7/2011 Chen D14/209.1
D672,333 S * 12/2012 Lin et al. D14/212
D672,334 S * 12/2012 Tzeng D14/212

(71) Applicant: **BBY Solutions, Inc.**, Richfield, MN
(US)

FOREIGN PATENT DOCUMENTS

KR 30-06052260000 * 7/2011

(72) Inventors: **Roger D. Widner**, Farmington, MN
(US); **Amy Prescott**, Minneapolis, MN
(US)

OTHER PUBLICATIONS

Range (R.Govindan); Technabob.com; <http://technabob.com/2012/04/26/rocketfish-ipad-sound-prism-speaker>; dated Apr. 26, 2012; accessed Mar. 23, 2013; 3p.*

(73) Assignee: **BBY Solutions, Inc.**, Richfield, MN
(US)

* cited by examiner

(**) Term: **14 Years**

Primary Examiner — Keli L Hill

(74) *Attorney, Agent, or Firm* — Beck & Tysver PLLC

(21) Appl. No.: **29/433,343**

(57) **CLAIM**

The ornamental design for a triangle speaker with retractable members, as shown.

(22) Filed: **Sep. 28, 2012**

DESCRIPTION

(51) **LOC (9) Cl.** **14-03**

(52) **U.S. Cl.**
USPC **D14/212**

(58) **Field of Classification Search**
USPC D14/168, 172, 194–196, 204, 207,
D14/209.1, 210–216, 221, 222; 181/143,
181/144, 147, 148, 150, 153, 157, 198, 199;
381/300–303, 306, 332, 333, 336, 345,
361–364, 386–388

See application file for complete search history.

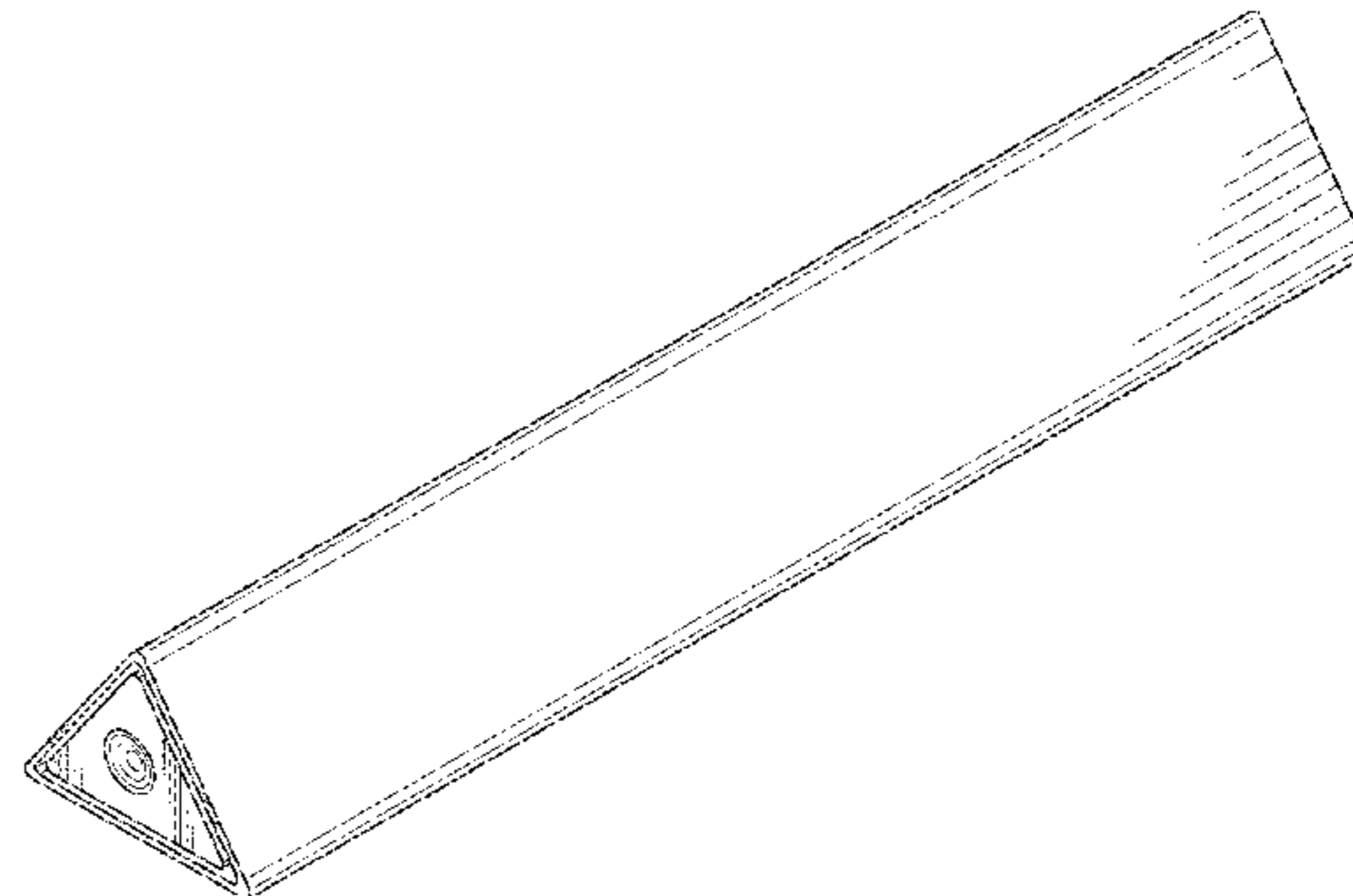
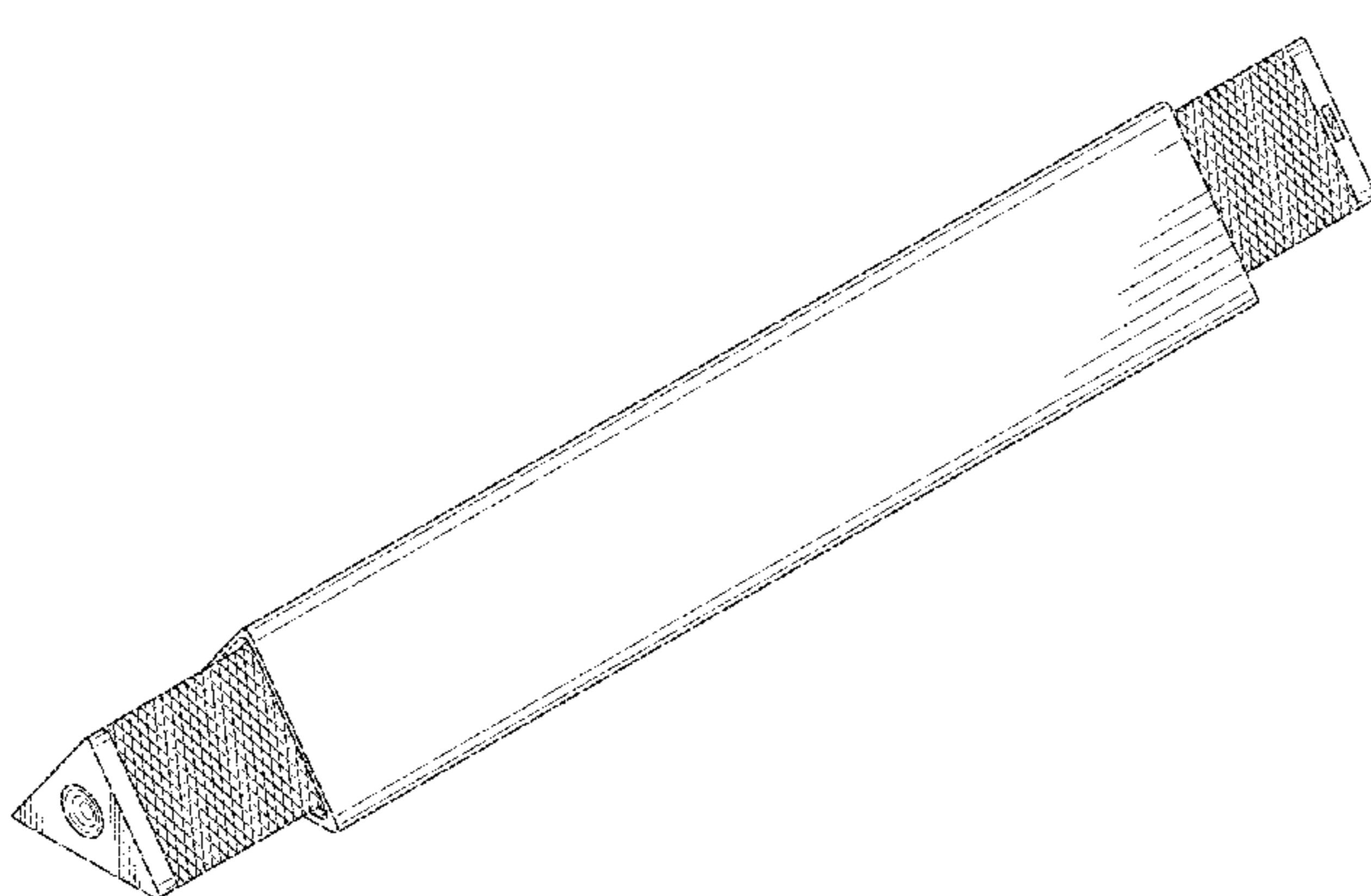
FIG. 1 is a top perspective view of a triangle speaker with retractable members in an extended position.
FIG. 2 is side elevational view thereof. The opposite side elevational view is identical.
FIG. 3 is a front elevational view thereof.
FIG. 4 is a bottom plan view thereof.
FIG. 5 is a top plan view thereof.
FIG. 6 is a rear elevational view thereof.
FIG. 7 is a top perspective view of the triangle speaker with retractable members in a retracted position.
FIG. 8 is a side elevational view thereof. The opposite side elevational view is identical.
FIG. 9 is a front elevational view thereof.
FIG. 10 is a bottom plan view thereof.
FIG. 11 is a top plan view thereof; and,
FIG. 12 is a rear elevational view thereof.

(56) **References Cited**

U.S. PATENT DOCUMENTS

D535,976 S * 1/2007 Ng et al. D14/214
D559,832 S * 1/2008 Poandl D14/212
D619,116 S * 7/2010 Skurdal D14/168

1 Claim, 6 Drawing Sheets



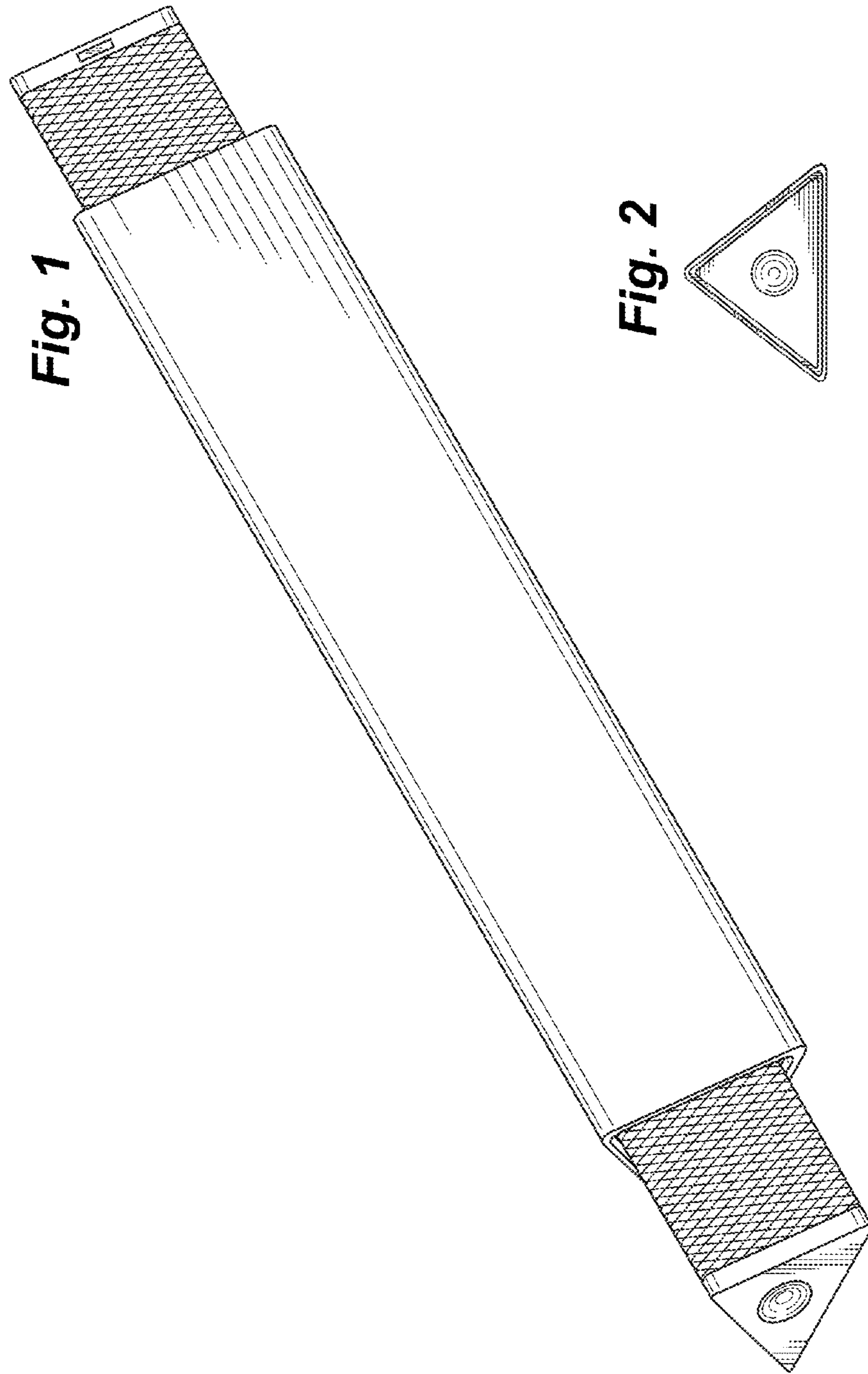


Fig. 1

Fig. 2

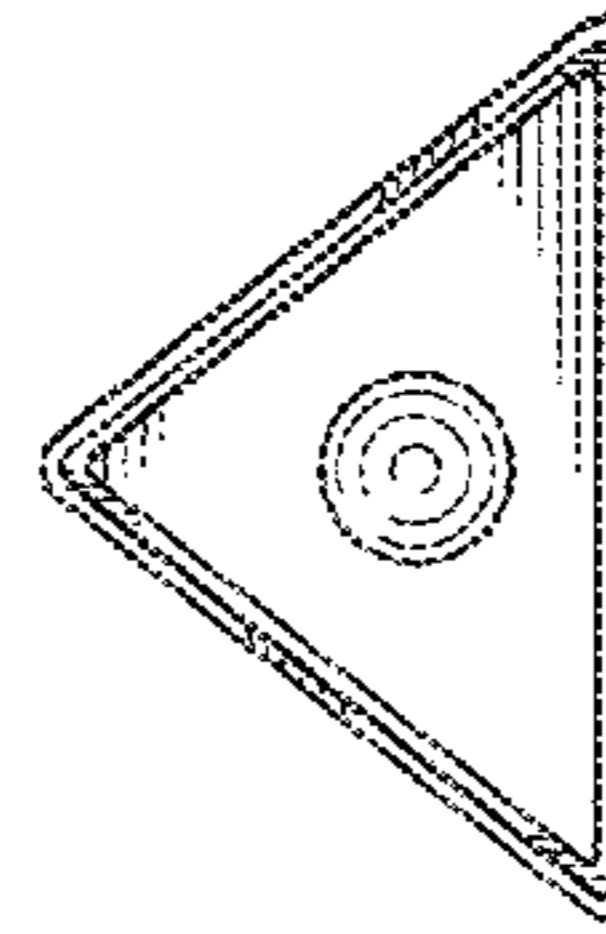


Fig. 3

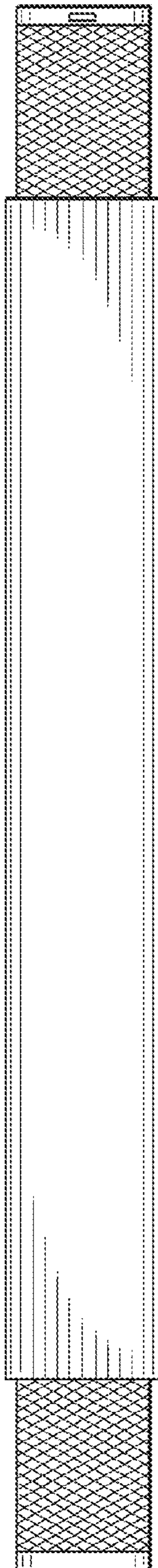


Fig. 4

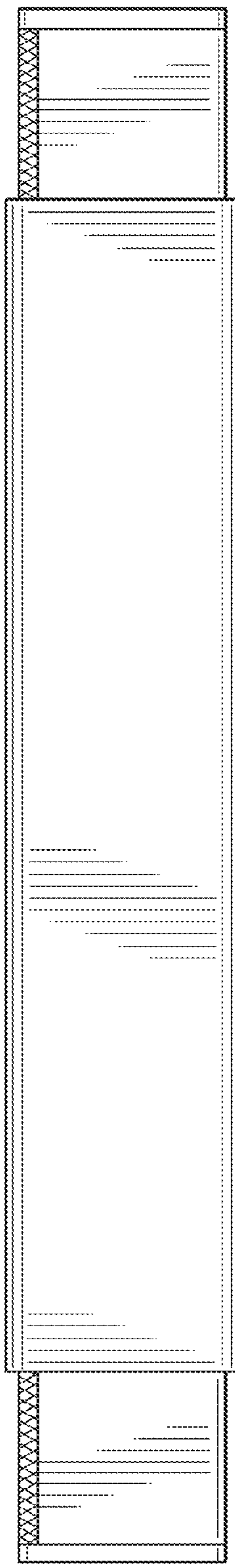


Fig. 5

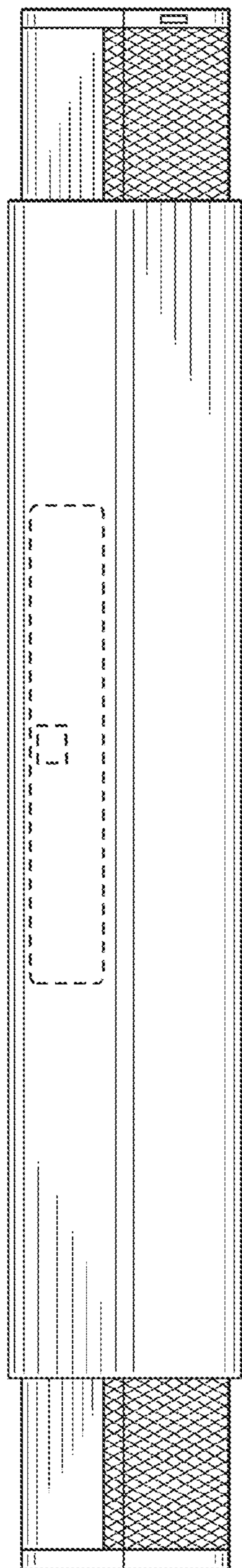
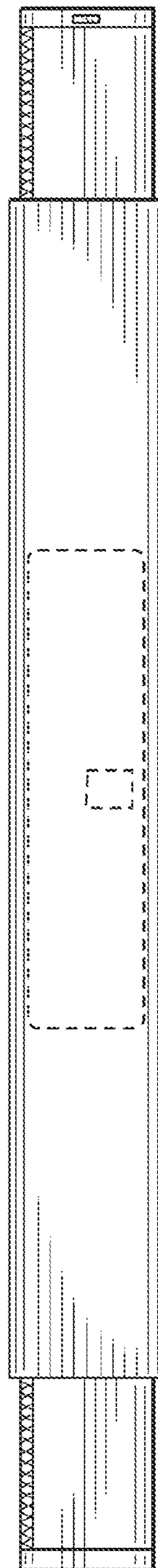


Fig. 6



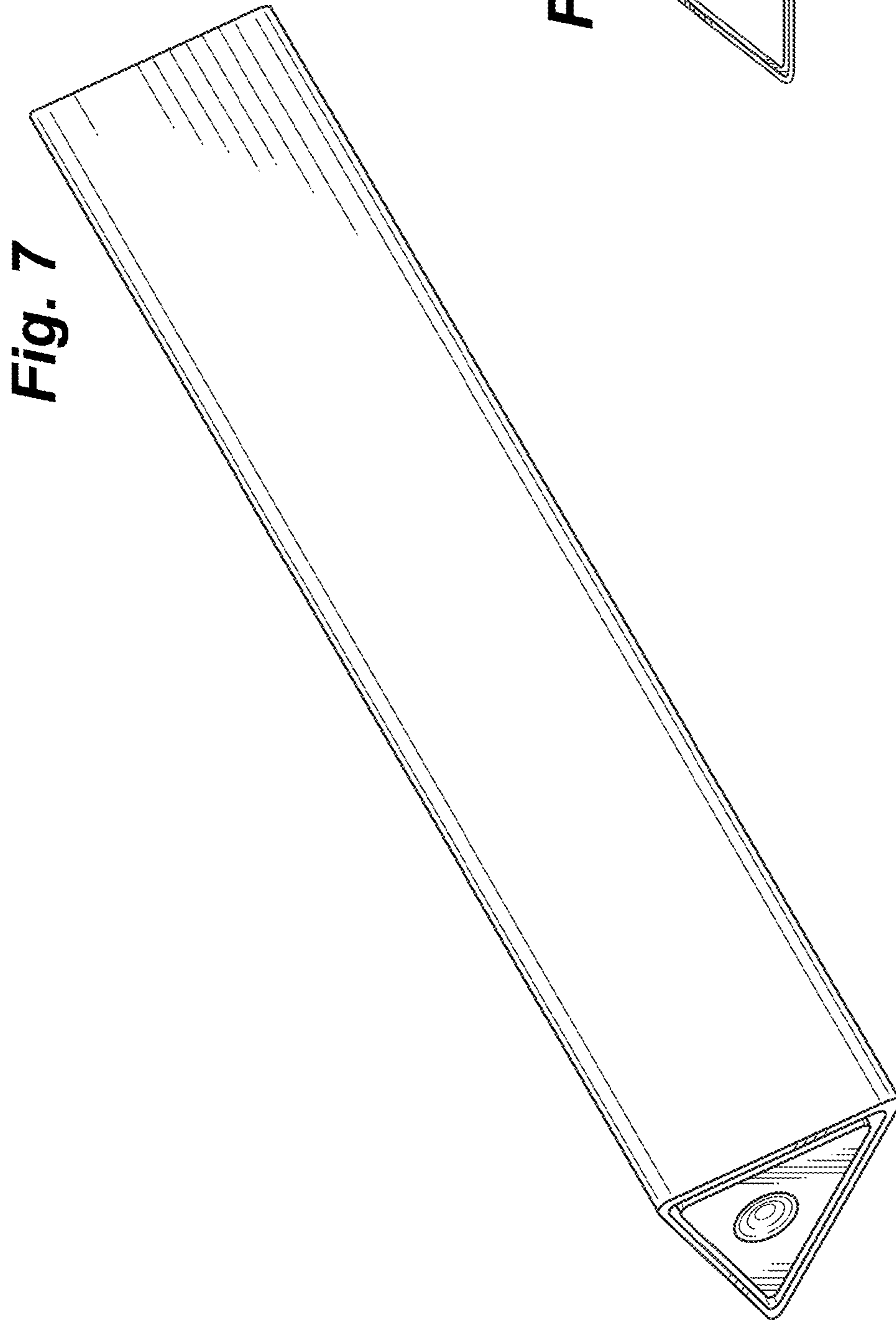


Fig. 7

Fig. 8

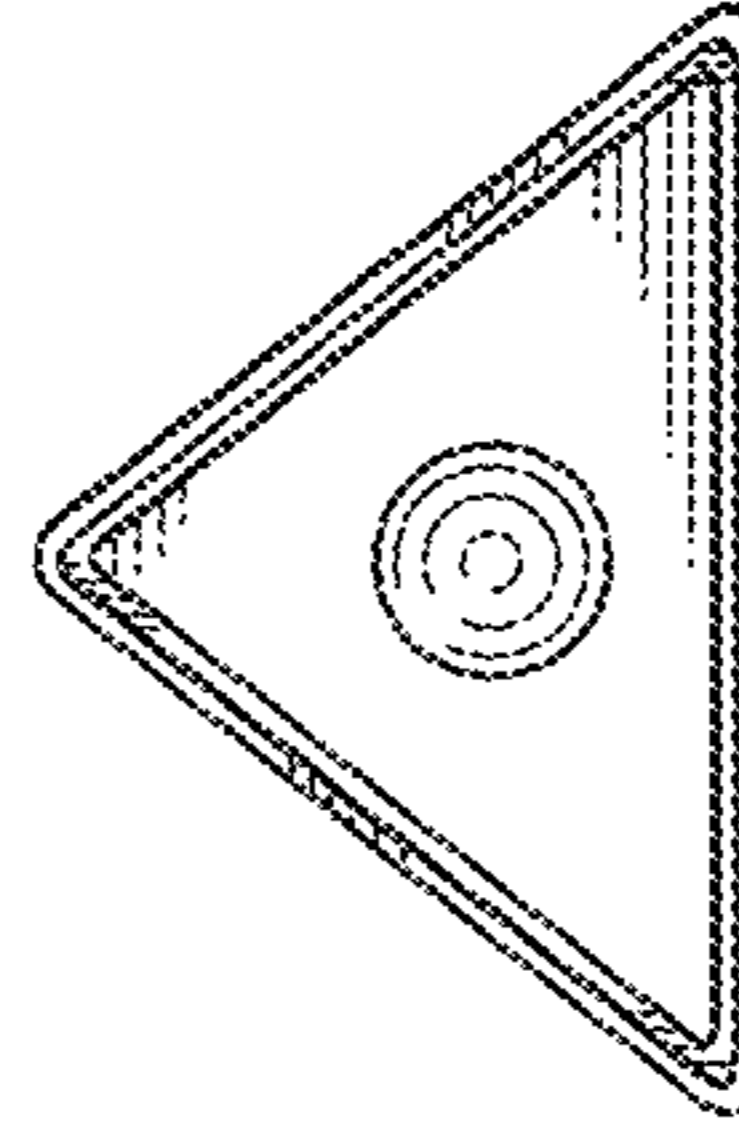


Fig. 9

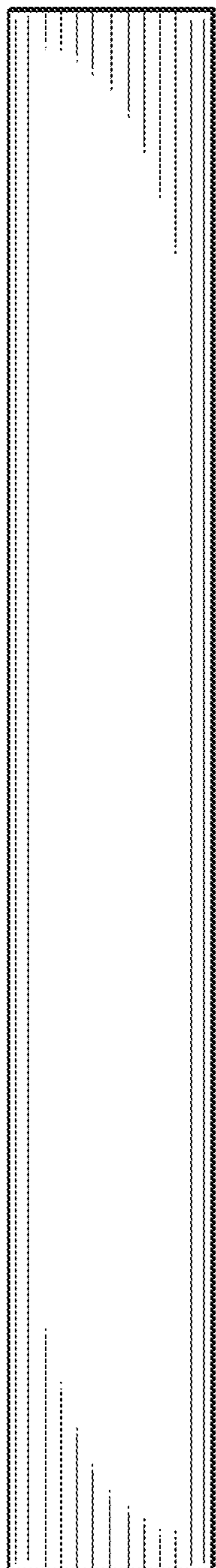


Fig. 10

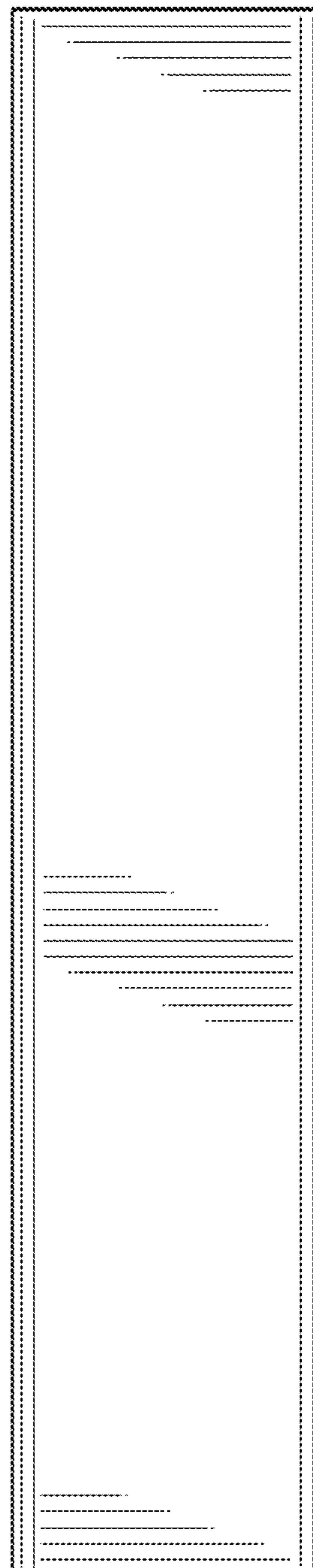


Fig. 11

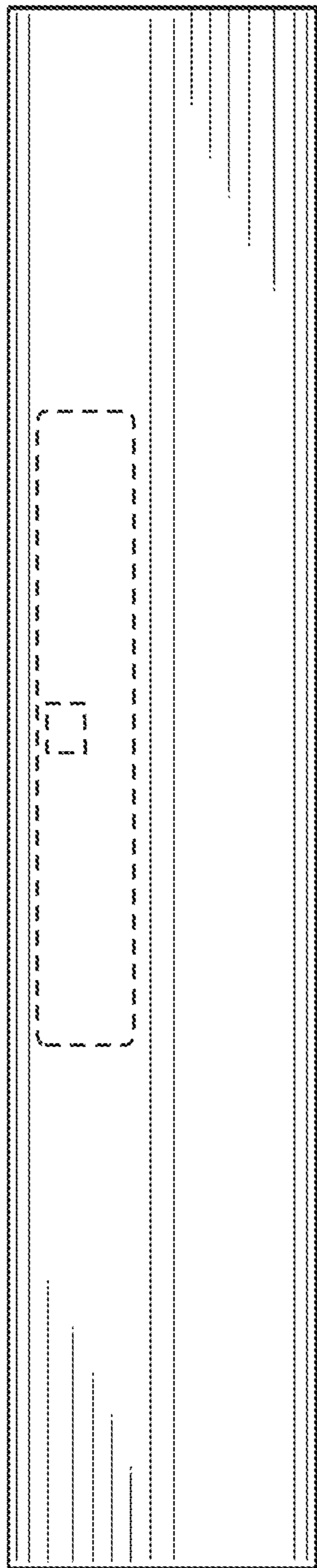


Fig. 12

