



US00D686190S

(12) **United States Design Patent**
Karacal et al.

(10) **Patent No.:** **US D686,190 S**
(45) **Date of Patent:** **** Jul. 16, 2013**

(54) **AUDIO HEADSET**

(75) Inventors: **Ozhan Karacal**, San Diego, CA (US);
Alfredo Danilo Tato, Jalisco (MX)

(73) Assignee: **Performance Designed Products LLC**,
Sherman Oaks, CA (US)

(**) Term: **14 Years**

(21) Appl. No.: **29/423,845**

(22) Filed: **Jun. 5, 2012**

(51) **LOC (9) Cl.** **14-01**

(52) **U.S. Cl.**
USPC **D14/205**

(58) **Field of Classification Search**
USPC D14/205, 206, 223, 21; 379/430,
379/431; 381/380, 381, 370, 371, 374, 376-378,
381/367; 181/129, 130, 135; D29/112; 2/209;
455/90.3, 575.2

See application file for complete search history.

(56) **References Cited**

U.S. PATENT DOCUMENTS

D229,833	S	*	1/1974	Becker	D14/205
D328,074	S	*	7/1992	Yamazaki et al.	D14/205
D337,115	S	*	7/1993	Yamazaki et al.	D14/205
5,406,037	A	*	4/1995	Nageno et al.	181/129
D375,312	S	*	11/1996	Kanno	D14/205
D457,512	S	*	5/2002	Yoneda	D14/205
D484,868	S	*	1/2004	Suzuki	D14/205
D517,526	S	*	3/2006	Komiyama	D14/205

D532,407	S	*	11/2006	Motoishi	D14/205
D549,688	S	*	8/2007	Suzuki	D14/205
7,388,960	B2	*	6/2008	Kuo et al.	381/186
D594,847	S	*	6/2009	Suzuki	D14/205
D637,176	S	*	5/2011	Brunner et al.	D14/205
8,107,638	B2	*	1/2012	Zwislocki	381/72
D657,776	S	*	4/2012	Lee et al.	D14/205
D661,685	S	*	6/2012	Lee et al.	D14/205
D668,244	S	*	10/2012	Matsumura	D14/223
D677,243	S	*	3/2013	Kitayama et al.	D14/205

* cited by examiner

Primary Examiner — Paula Greene

(74) *Attorney, Agent, or Firm* — Sheppard Mullin Richter & Hampton LLP

(57) **CLAIM**

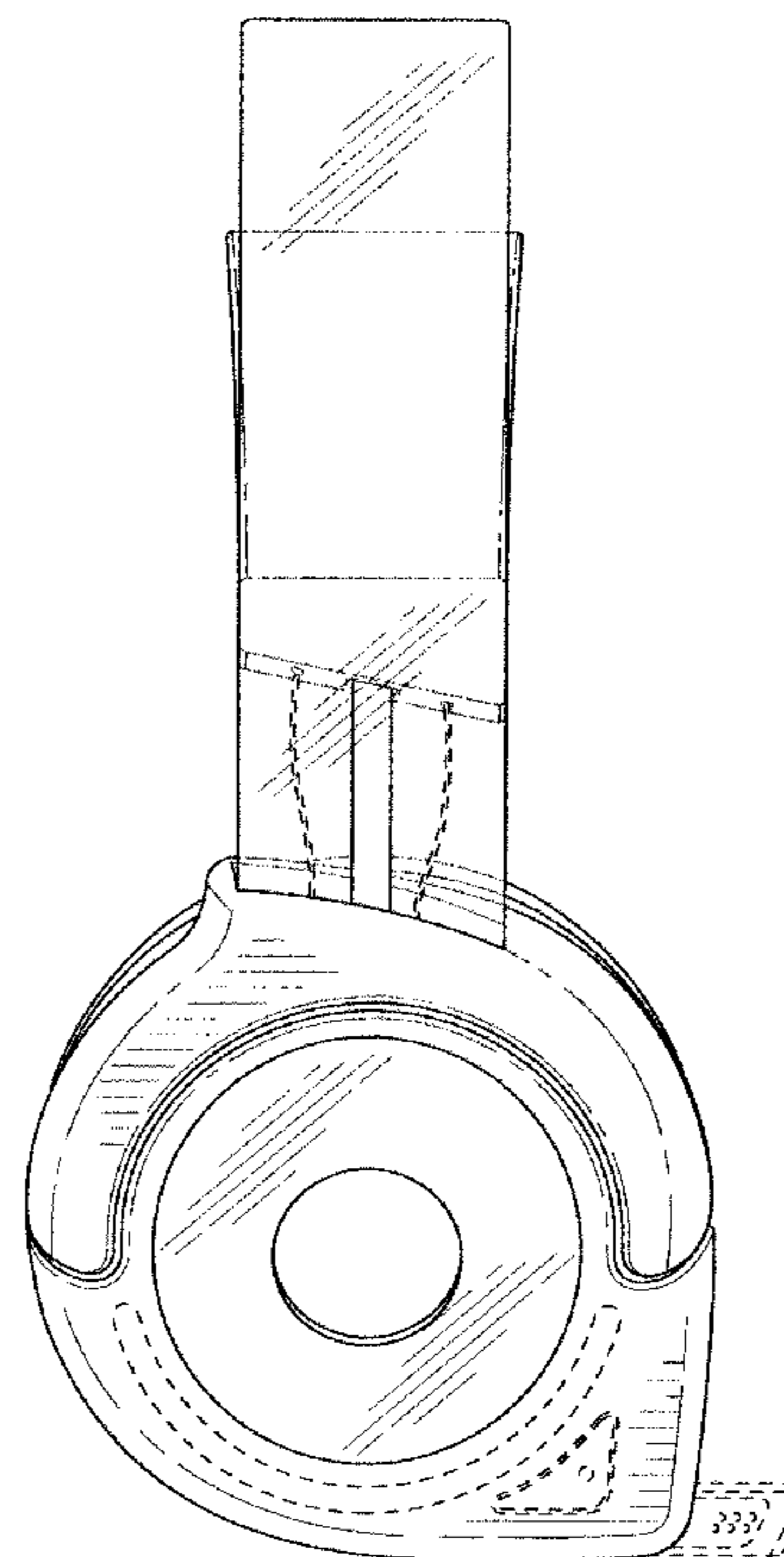
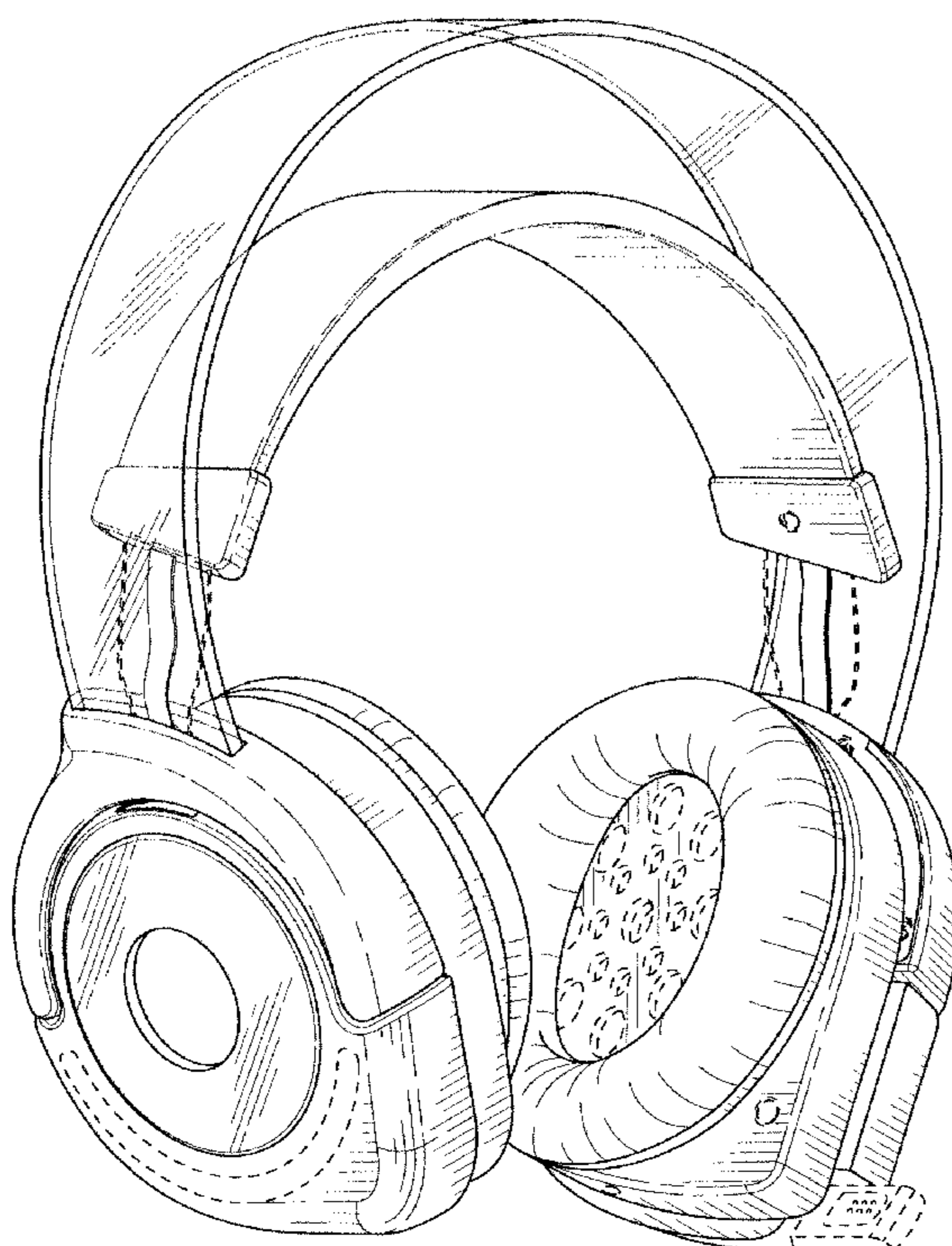
We claim the ornamental design for an audio headset, as shown and described.

DESCRIPTION

FIG. 1 is a front perspective view of an audio headset embodying the new design;
FIG. 2 is a rear perspective view thereof;
FIG. 3 is a front elevation view thereof;
FIG. 4 is a rear elevation view thereof;
FIG. 5 is a right side elevation view thereof;
FIG. 6 is a left side elevation view thereof;
FIG. 7 is a top view thereof; and,
FIG. 8 is a bottom view thereof.

The broken lines illustrate portions of the audio headset that form no part of the claimed design.

1 Claim, 8 Drawing Sheets



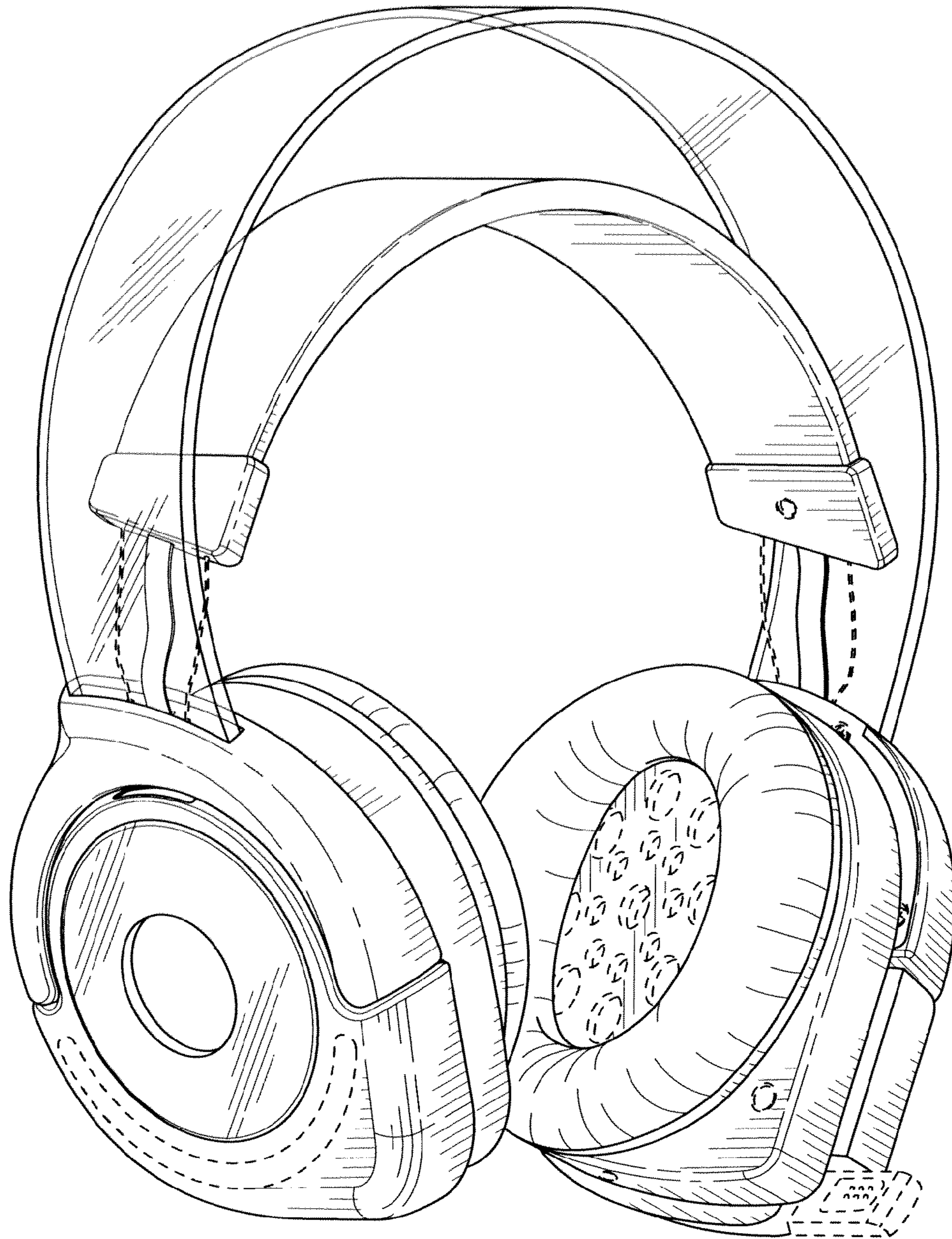


FIG. 1

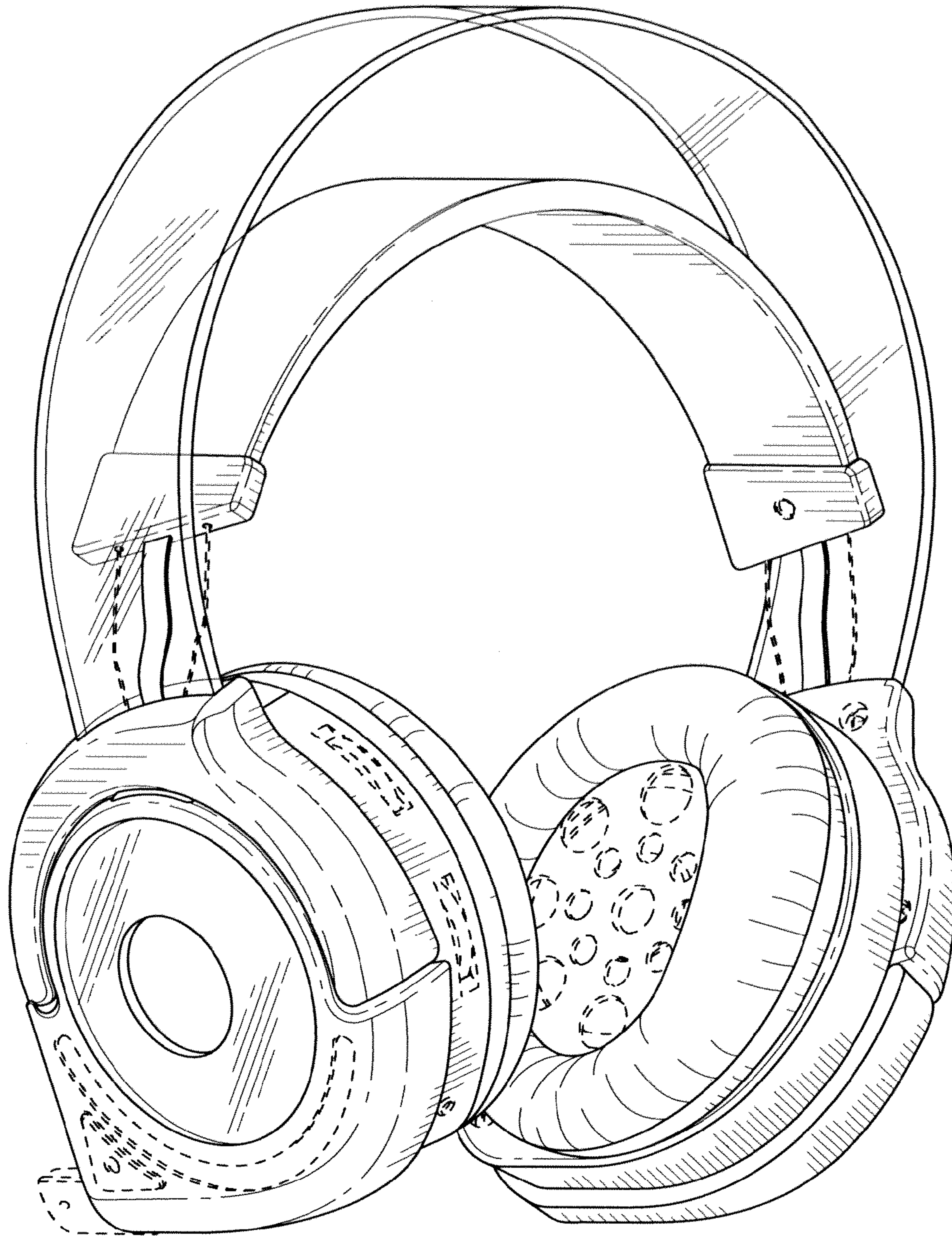


FIG. 2



FIG. 3



FIG. 4

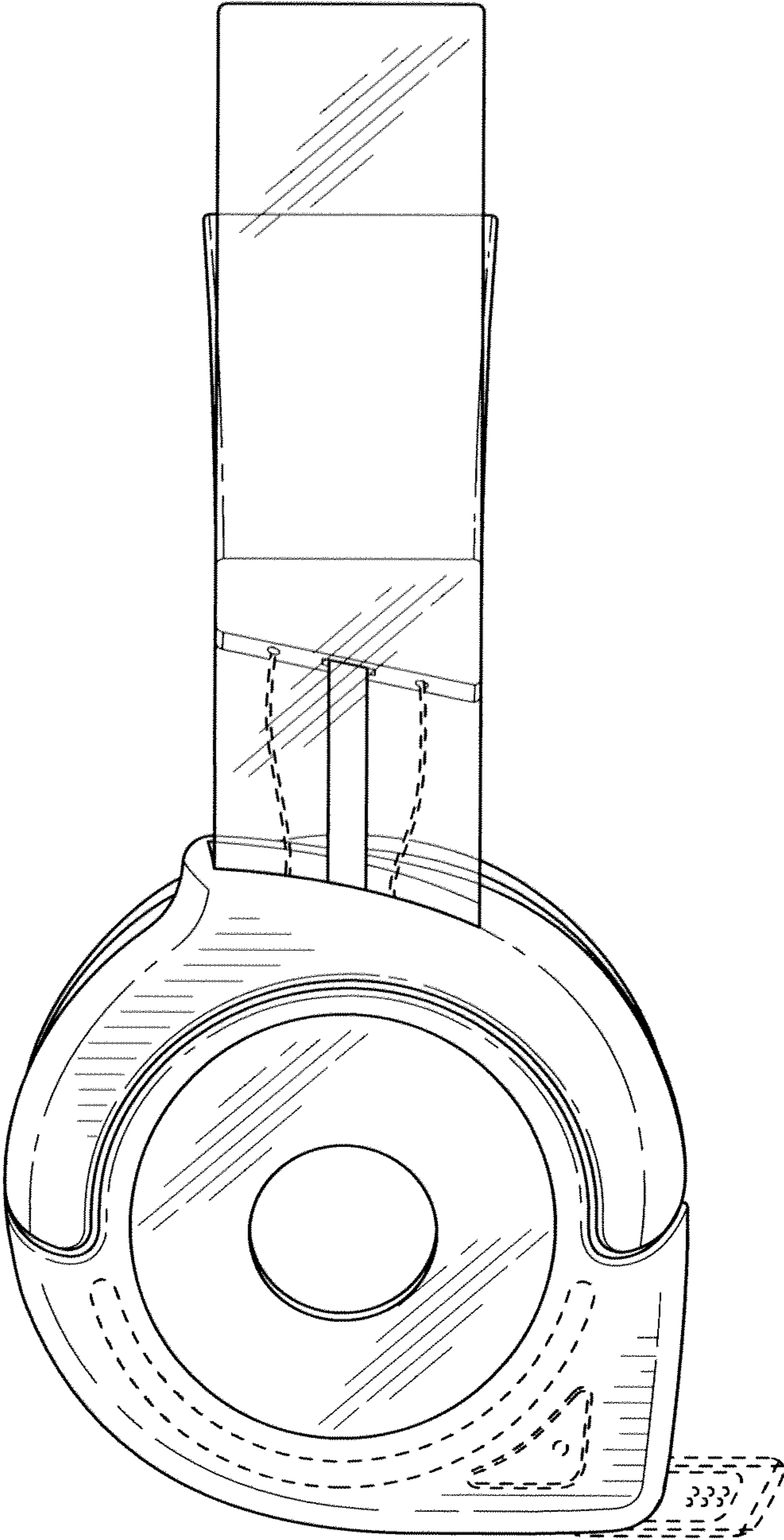


FIG. 5

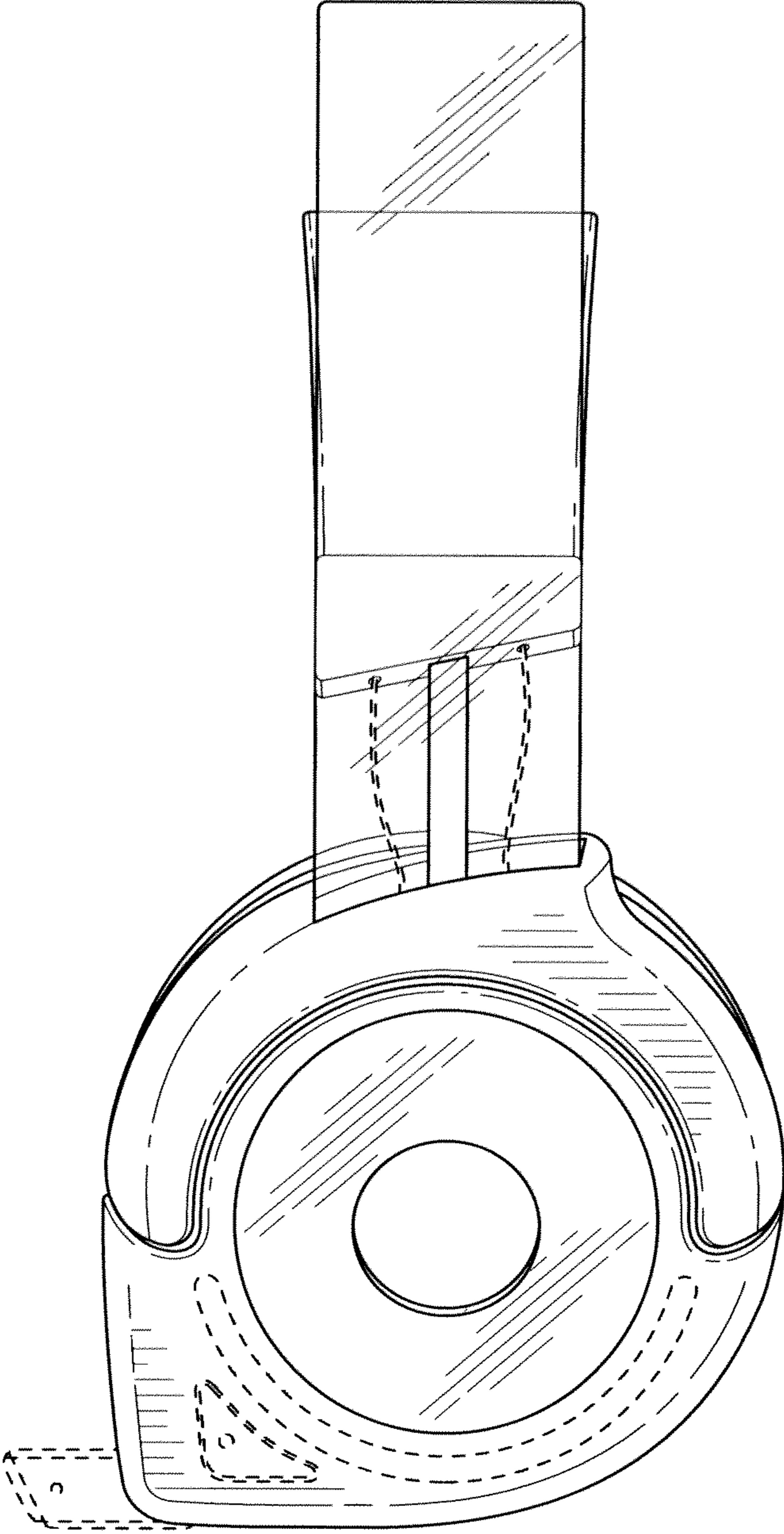


FIG. 6

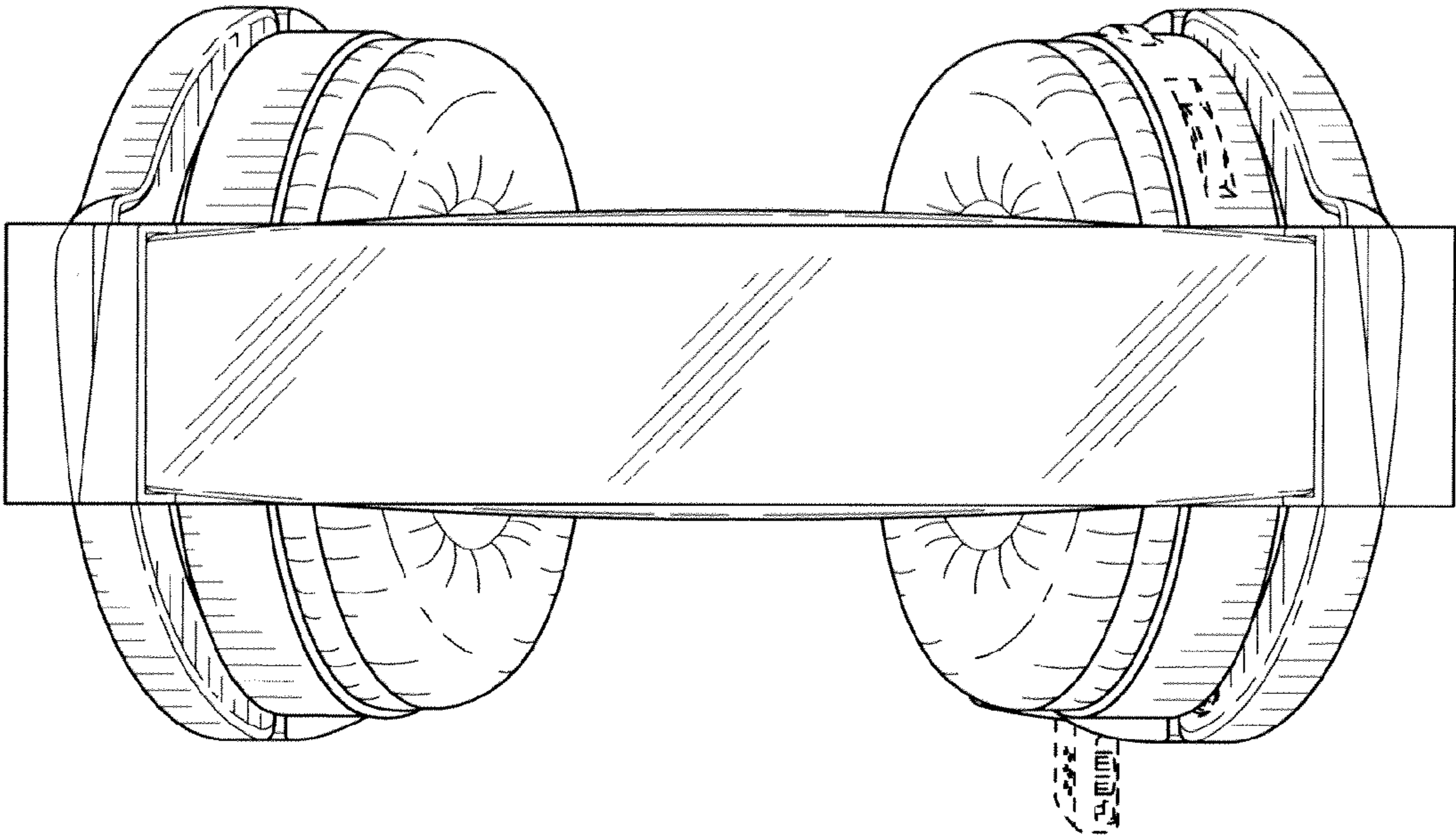


FIG. 7

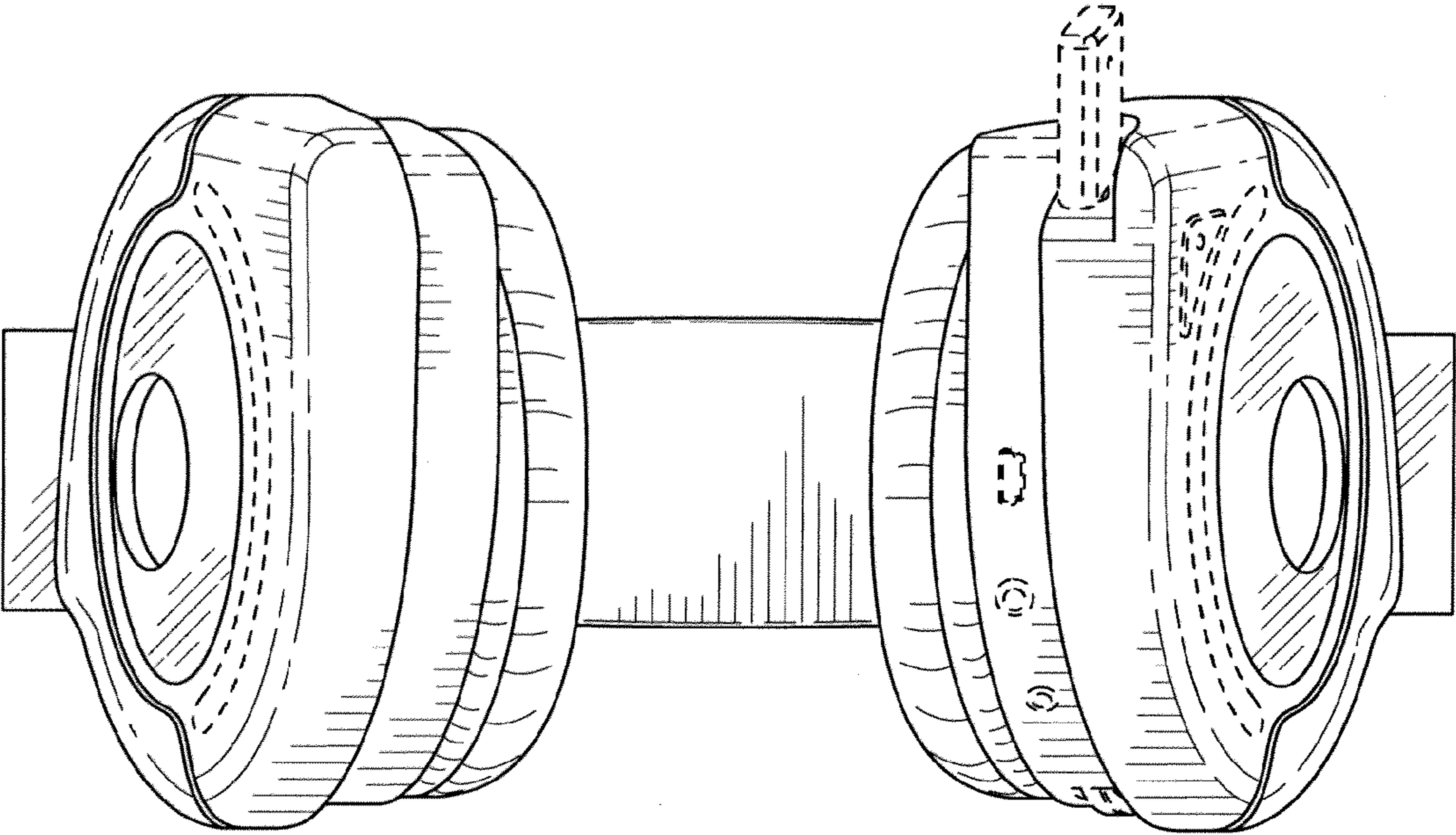


FIG. 8