



US00D686188S

(12) **United States Design Patent**  
**Jeong et al.**

(10) **Patent No.:** **US D686,188 S**  
(45) **Date of Patent:** **\*\* Jul. 16, 2013**

(54) **WIRELESS IMAGE RECEIVER**  
(75) Inventors: **Kwang-Seok Jeong**, Changwon (KR);  
**Se-Mi Jang**, Changwon (KR); **Joo-Bok Kim**, Changwon (KM)

D618,663 S \* 6/2010 Lee ..... D14/203.7  
D629,387 S \* 12/2010 Lee ..... D14/203.7  
D631,865 S \* 2/2011 Lee ..... D14/203.7  
D633,469 S \* 3/2011 Lee ..... D14/203.7  
D633,470 S \* 3/2011 Andre et al. .... D14/203.7  
D656,122 S \* 3/2012 Niizawa et al. .... D14/203.7

(73) Assignee: **Samsung Techwin Co., Ltd.**, Changwon (KR)

**FOREIGN PATENT DOCUMENTS**

EP 341599-0004 B 8/2005

(\*\*) Term: **14 Years**

**OTHER PUBLICATIONS**

“http://www.mylevana.com/product-display.php?id=109,”? Safe n’See™? Digital Video Baby Monitor with Talk-to-Baby Intercom and Lullaby Control, LV-TW501.

(21) Appl. No.: **29/412,121**

(22) Filed: **Jan. 31, 2012**

\* cited by examiner

(51) **LOC (9) Cl.** ..... **14-03**

*Primary Examiner* — Prabhakar Deshmukh

(52) **U.S. Cl.**

(74) *Attorney, Agent, or Firm* — Sughrue Mion, PLLC

USPC ..... **D14/203.7**; D14/496; D14/203.3

(58) **Field of Classification Search**

USPC ..... D14/496, 401, 435, 474, 483, 217, D14/137, 138, 160, 168, 356, 203.1–203.8, D14/507; 345/156, 169, 173–179, 905; 715/727–729, 864; 710/1, 5, 8; 713/1, 600; 455/1.1, 1.7, 73, 344–347, 93, 95, 3.01–3.06, 455/550.1, 573.1; 370/342–344; 369/1, 2, 369/6–12; 463/43–47; 273/148 B

(57) **CLAIM**

The ornamental design for a wireless image receiver, as shown and described.

See application file for complete search history.

**DESCRIPTION**

FIG. 1 is a perspective view of a wireless image receiver showing our new design;  
FIG. 2 is a front elevational view thereof;  
FIG. 3 is a rear elevational view thereof;  
FIG. 4 is a left side elevational view thereof;  
FIG. 5 is a right side elevational view thereof;  
FIG. 6 is a top plan view thereof;  
FIG. 7 is a bottom plan view thereof; and,  
FIG. 8 is a perspective view thereof, with the rear cover shown in an open condition.

(56) **References Cited**

**U.S. PATENT DOCUMENTS**

5,825,408 A \* 10/1998 Yuyama et al. .... 348/14.01  
6,393,914 B1 \* 5/2002 Zarabadi et al. .... 73/514.04  
D513,512 S \* 1/2006 Tsai ..... D14/203.7  
7,258,449 B2 \* 8/2007 Chong et al. .... 353/85  
7,281,314 B2 \* 10/2007 Hess et al. .... 29/600  
D607,872 S \* 1/2010 Lee ..... D14/203.7

**1 Claim, 7 Drawing Sheets**

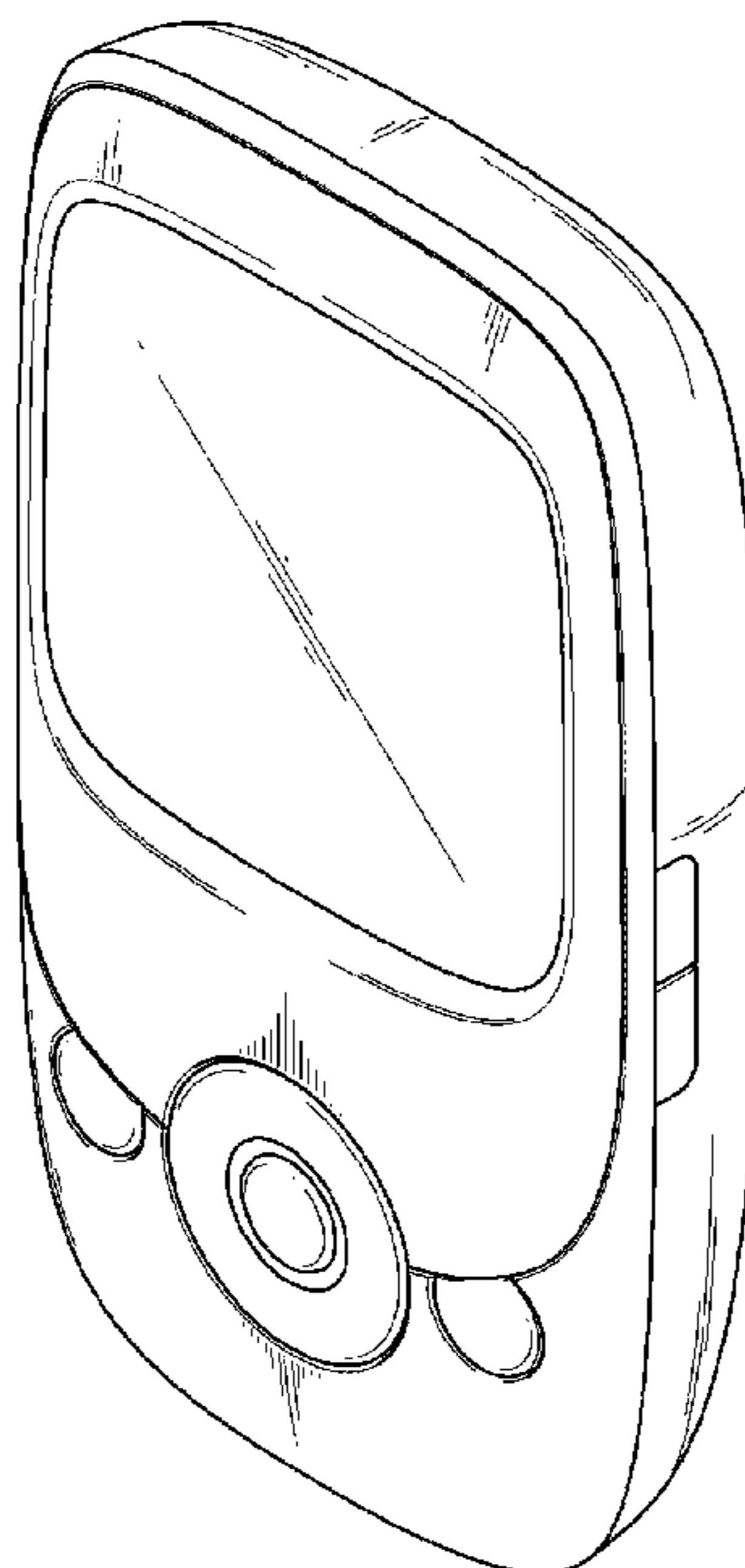


FIG. 1

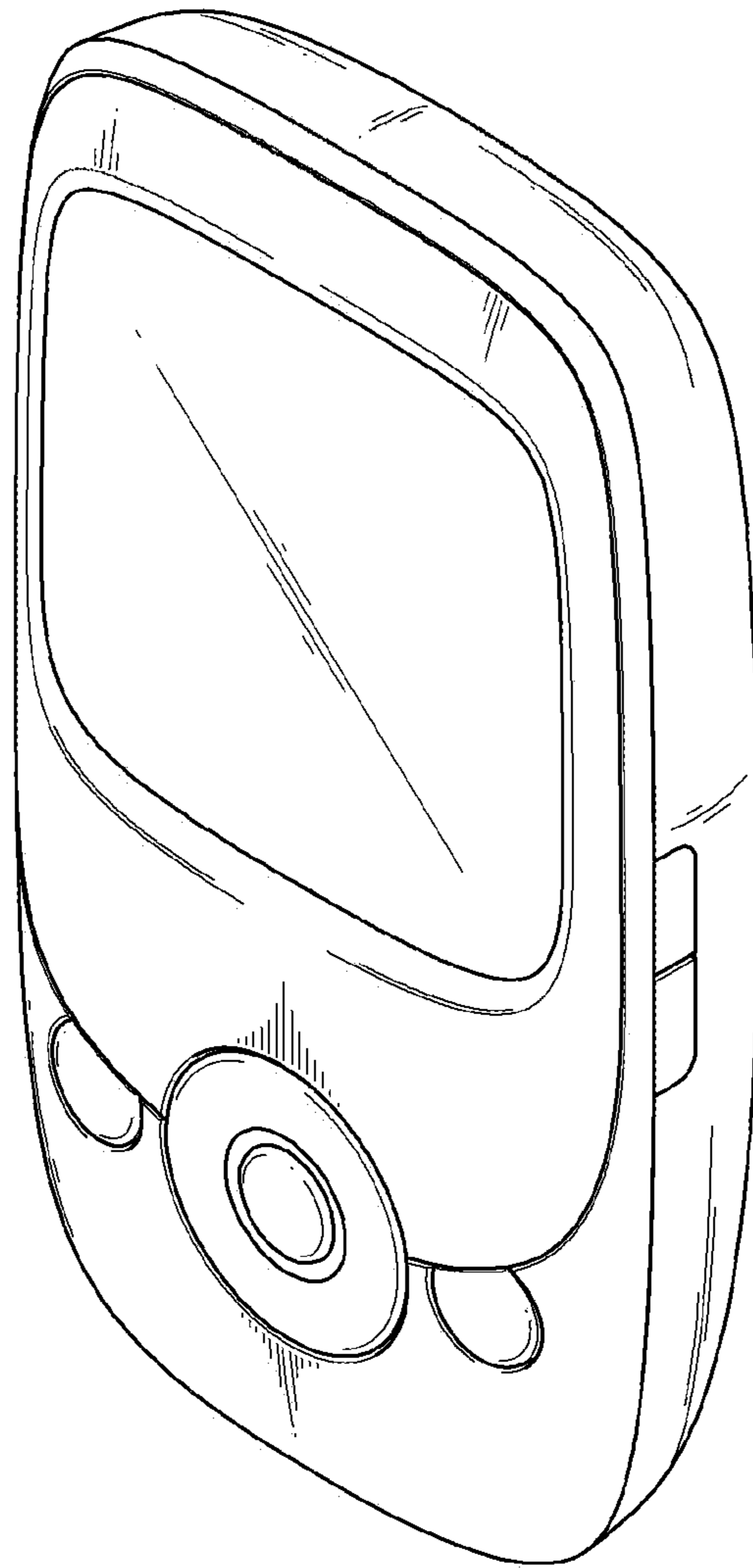


FIG. 2

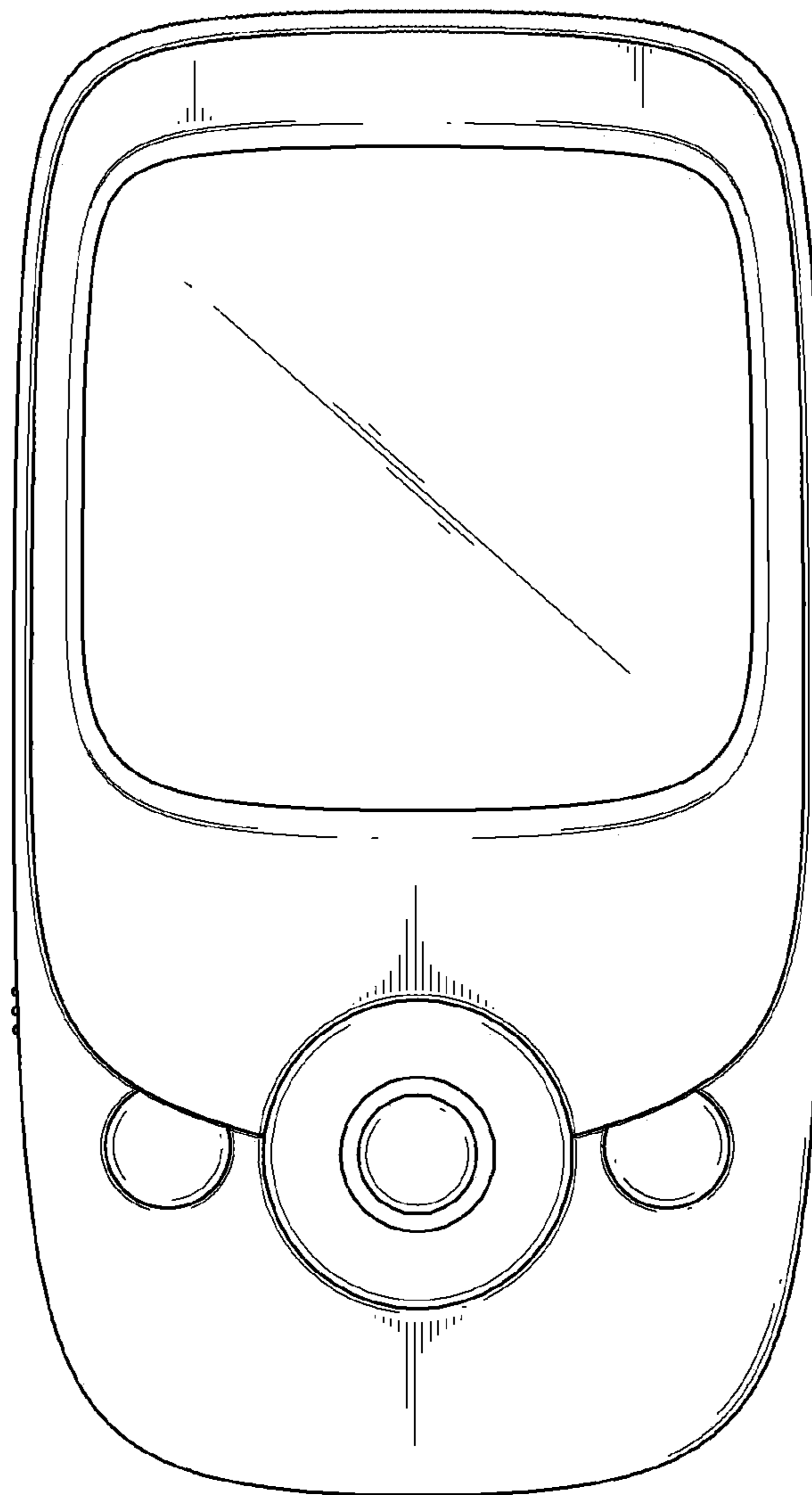


FIG. 3

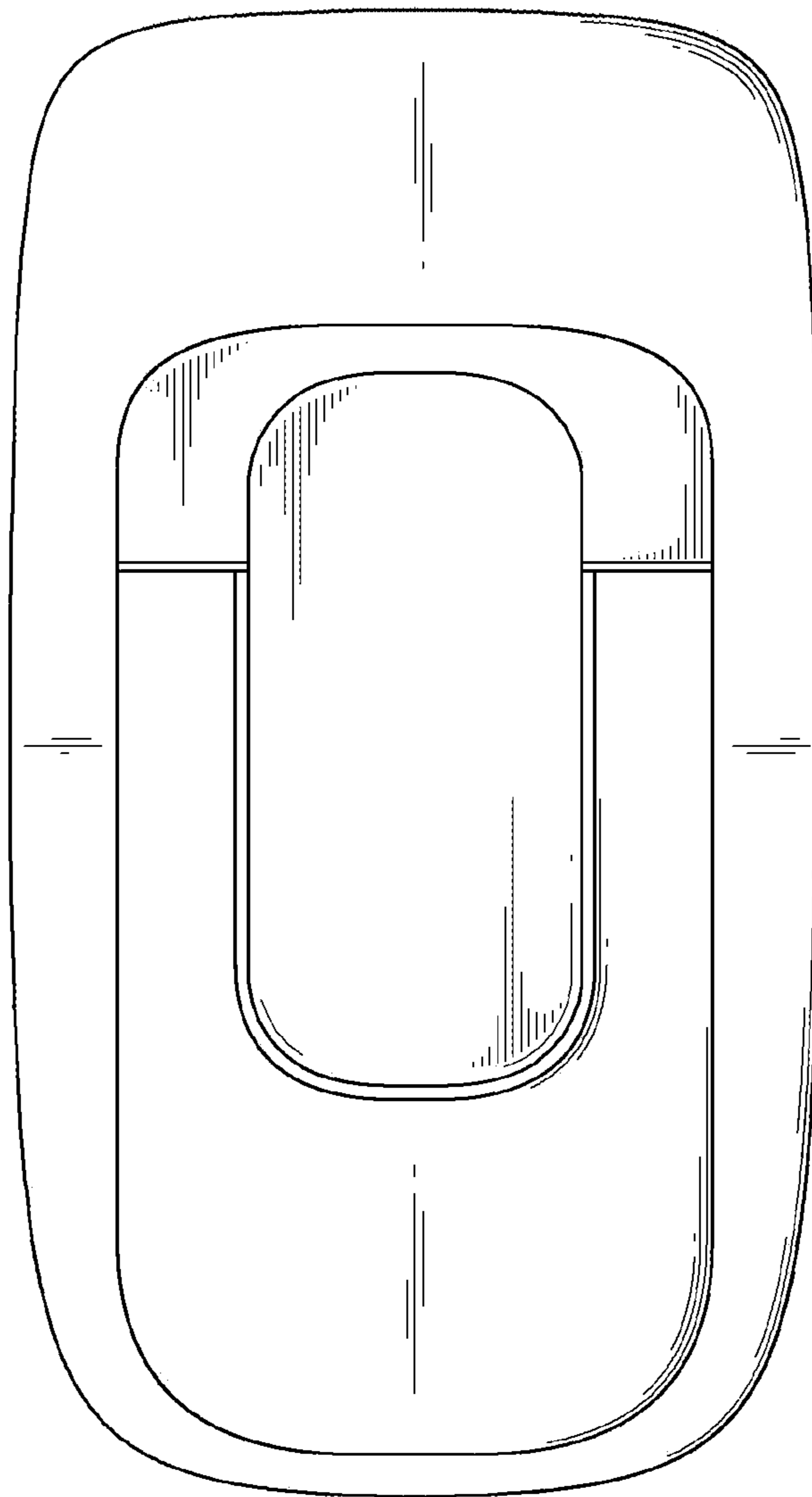


FIG. 4

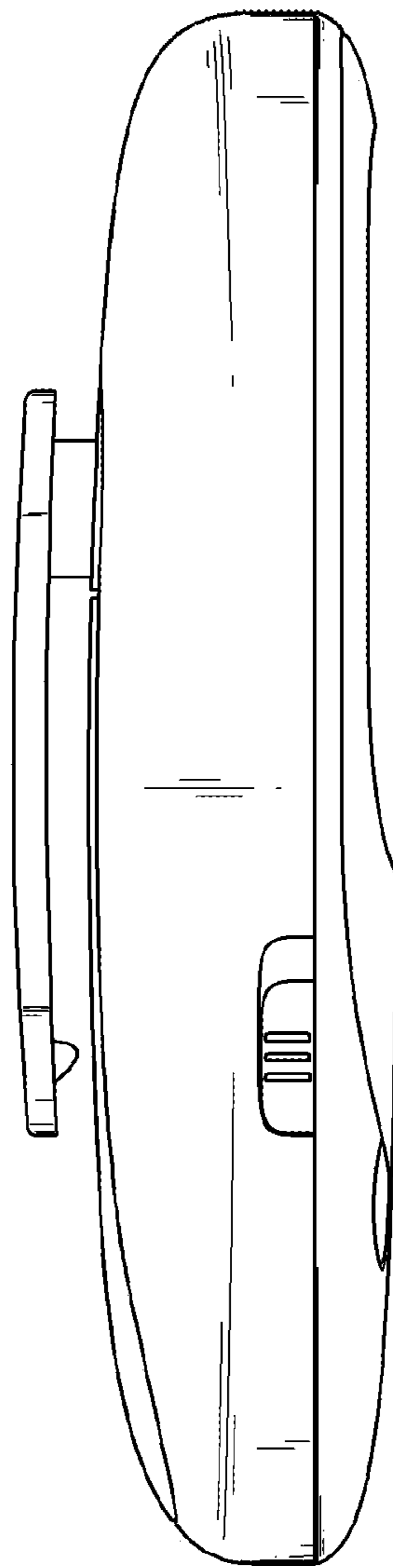


FIG. 5

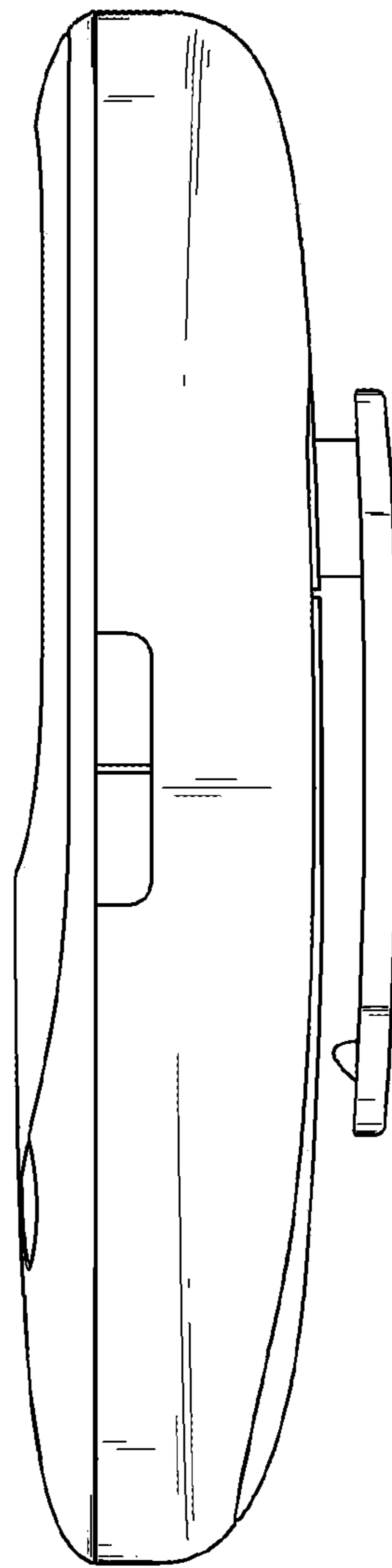


FIG. 6

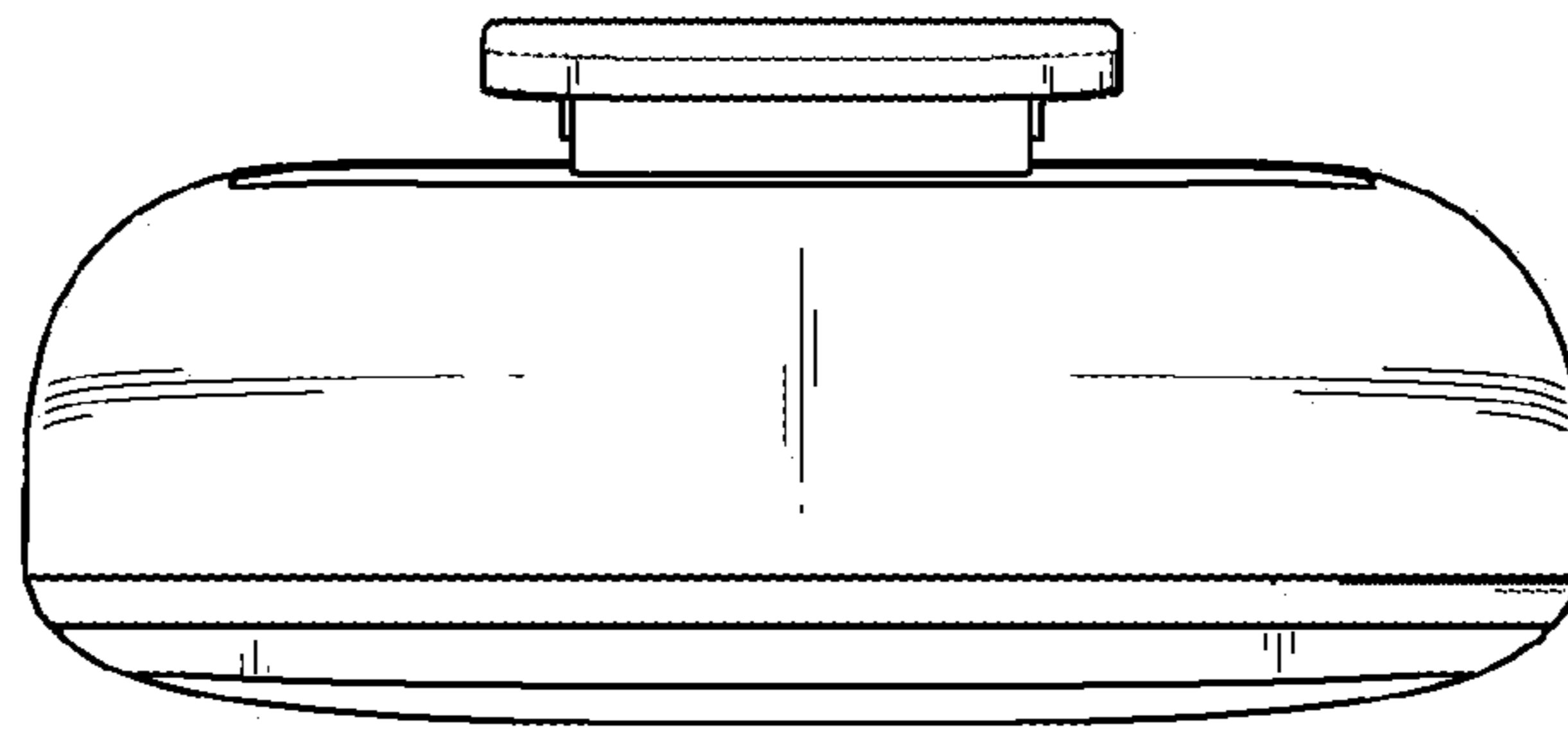


FIG. 7

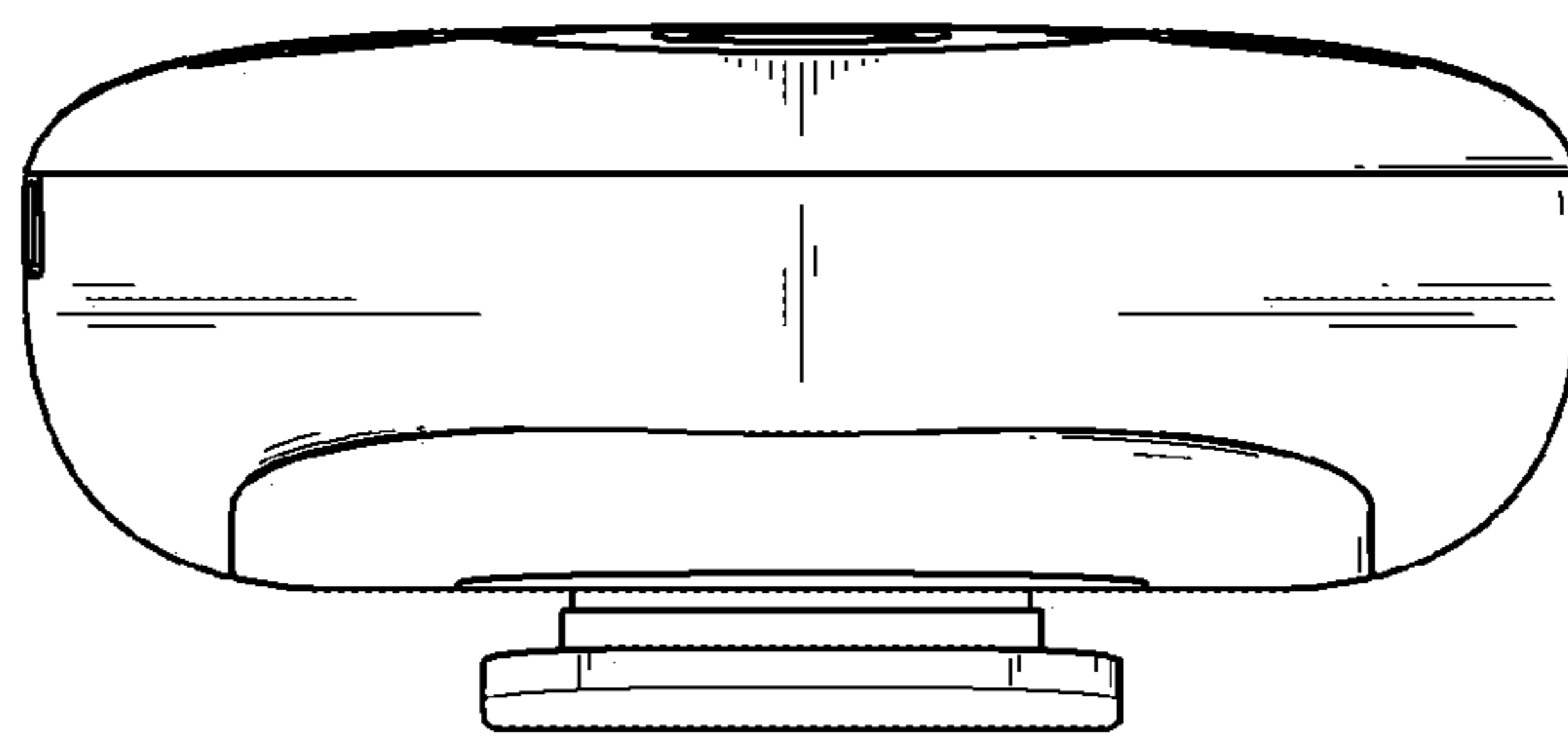


FIG. 8

