



US00D686187S

(12) **United States Design Patent**  
**Dangerfield**

(10) **Patent No.:** **US D686,187 S**  
(45) **Date of Patent:** **\*\* Jul. 16, 2013**

(54) **PORTABLE MEDIA PLAYER**  
(75) Inventor: **Nicholas E. Dangerfield**, New York, NY (US)  
(73) Assignee: **Parte LLC**, New York, NY (US)  
(\*\*) Term: **14 Years**  
(21) Appl. No.: **29/412,367**  
(22) Filed: **Feb. 2, 2012**  
(51) **LOC (9) Cl.** ..... **14-03**  
(52) **U.S. Cl.**  
USPC ..... **D14/203.6**  
(58) **Field of Classification Search**  
USPC ..... D14/496, 401, 435, 474, 483, 217, D14/137, 138, 160, 168, 356, 203.1–203.8, D14/507; 345/156, 169, 173–179, 905; 715/727–729, 864; 710/1, 5, 8; 713/1, 600; 455/1.1, 1.7, 73, 344–347, 93, 95, 3.01–3.06, 455/550.1, 573.1; 370/342–344; 369/1, 2, 369/6–12; 463/43–47; 273/148 B  
See application file for complete search history.

D544,881 S \* 6/2007 Yang et al. .... D14/496  
7,255,646 B2 \* 8/2007 Silverbrook et al. .... 463/30  
D554,614 S \* 11/2007 Lin ..... D14/509  
D567,818 S \* 4/2008 Zhang ..... D14/496  
D582,394 S 12/2008 Hong et al.  
D595,734 S 7/2009 Son  
D605,204 S 12/2009 Liu  
D608,762 S 1/2010 Sheng  
D609,718 S 2/2010 Chang et al.  
D612,361 S 3/2010 Wright  
D612,865 S 3/2010 Zhang  
D626,147 S 10/2010 Goddard  
D634,754 S 3/2011 Hao

\* cited by examiner

*Primary Examiner* — Prabhakar Deshmukh  
(74) *Attorney, Agent, or Firm* — Leason Ellis LLP

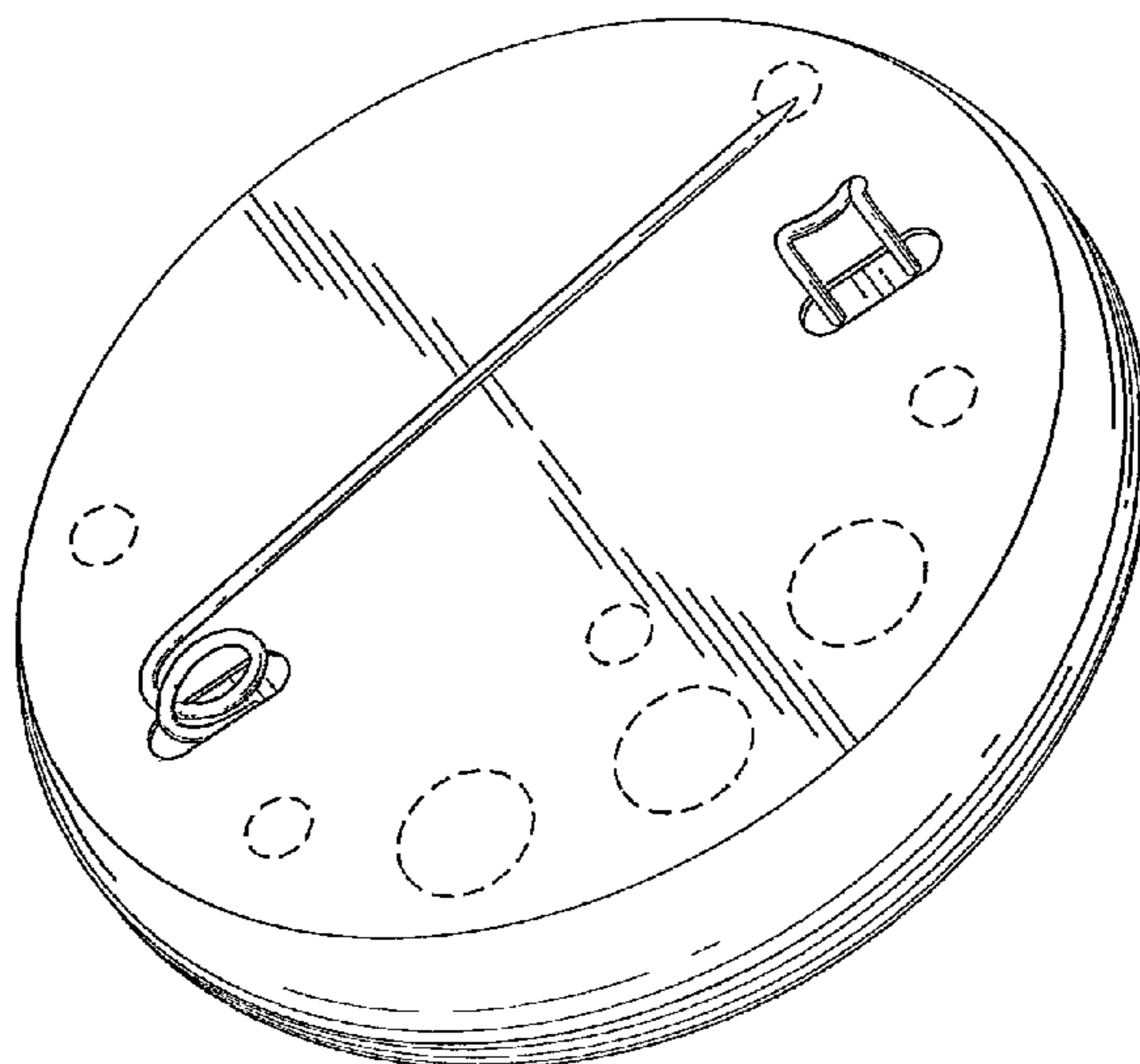
(57) **CLAIM**  
The ornamental design for a portable media player, as shown and described.

**DESCRIPTION**

FIG. 1 is a bottom and side perspective view of a portable media player showing my new design with the pin in an open position;  
FIG. 2 is a bottom plan view thereof;  
FIG. 3 is a top plan view thereof;  
FIG. 4 is a right side elevation view thereof;  
FIG. 5 is a left side elevation view thereof;  
FIG. 6 is a rear elevation view thereof;  
FIG. 7 is a front elevation view thereof; and,  
FIG. 8 is a bottom plan view thereof with the pin in the closed position.  
The broken line showing of control buttons and fastening members along with front surface indicia is for illustrative purposes only and forms no part of the claimed design.

**1 Claim, 5 Drawing Sheets**

(56) **References Cited**  
**U.S. PATENT DOCUMENTS**  
6,227,966 B1 5/2001 Yokoi  
D467,892 S \* 12/2002 Lewis ..... D14/203.6  
6,522,613 B1 \* 2/2003 Frankeny et al. .... 720/655  
D511,337 S \* 11/2005 Kim ..... D14/509  
D514,337 S \* 2/2006 Harum ..... D6/361  
D516,082 S \* 2/2006 Lewis ..... D14/203.6  
7,018,294 B2 3/2006 Silverbrook et al.  
D521,022 S \* 5/2006 Chen ..... D14/203.6  
7,104,884 B2 9/2006 Yokoi  
D531,159 S \* 10/2006 Park ..... D14/203.3  
D539,304 S \* 3/2007 Lee ..... D14/203.6  
7,209,648 B2 \* 4/2007 Barber et al. .... 386/243



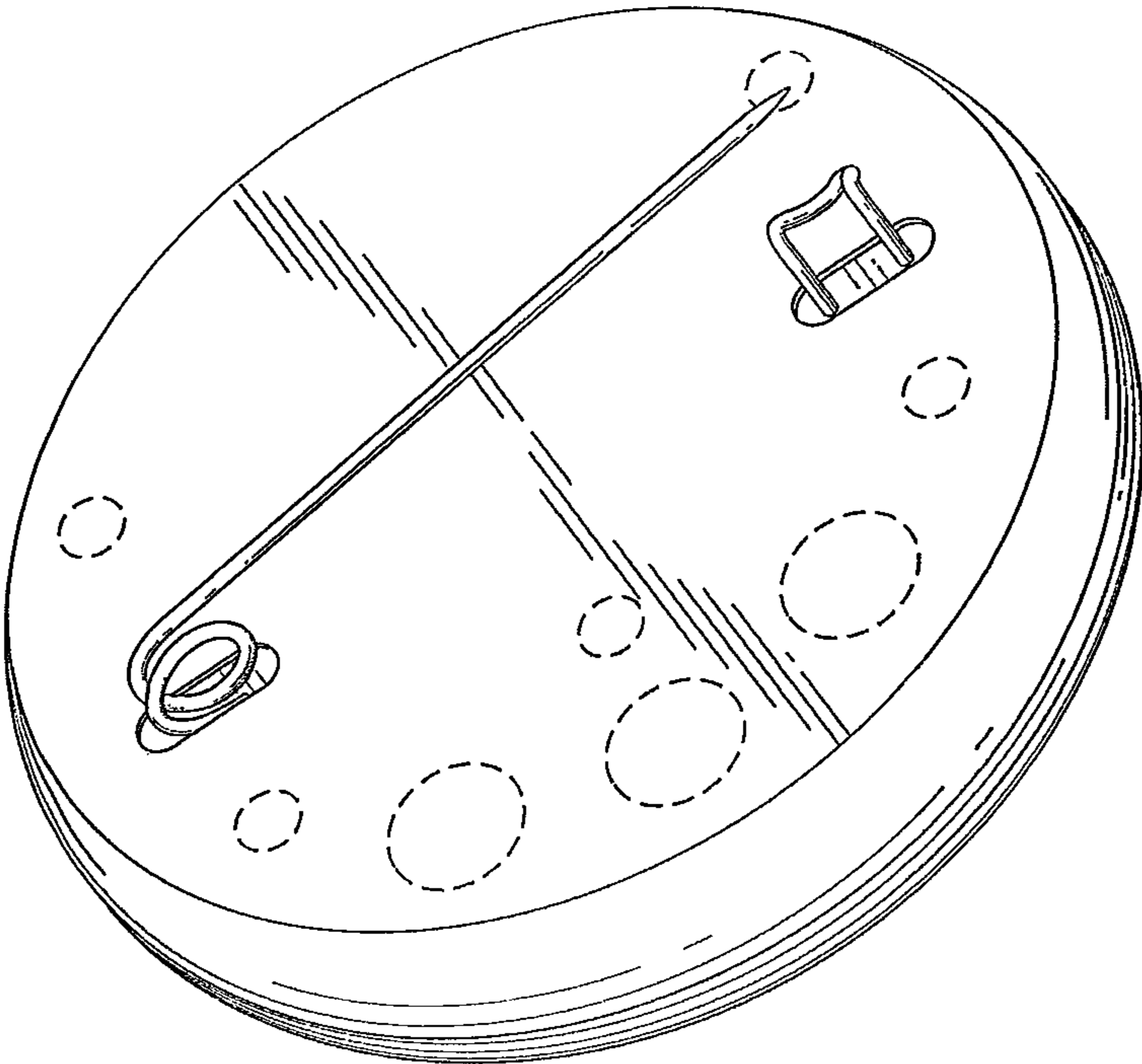


Fig. 1

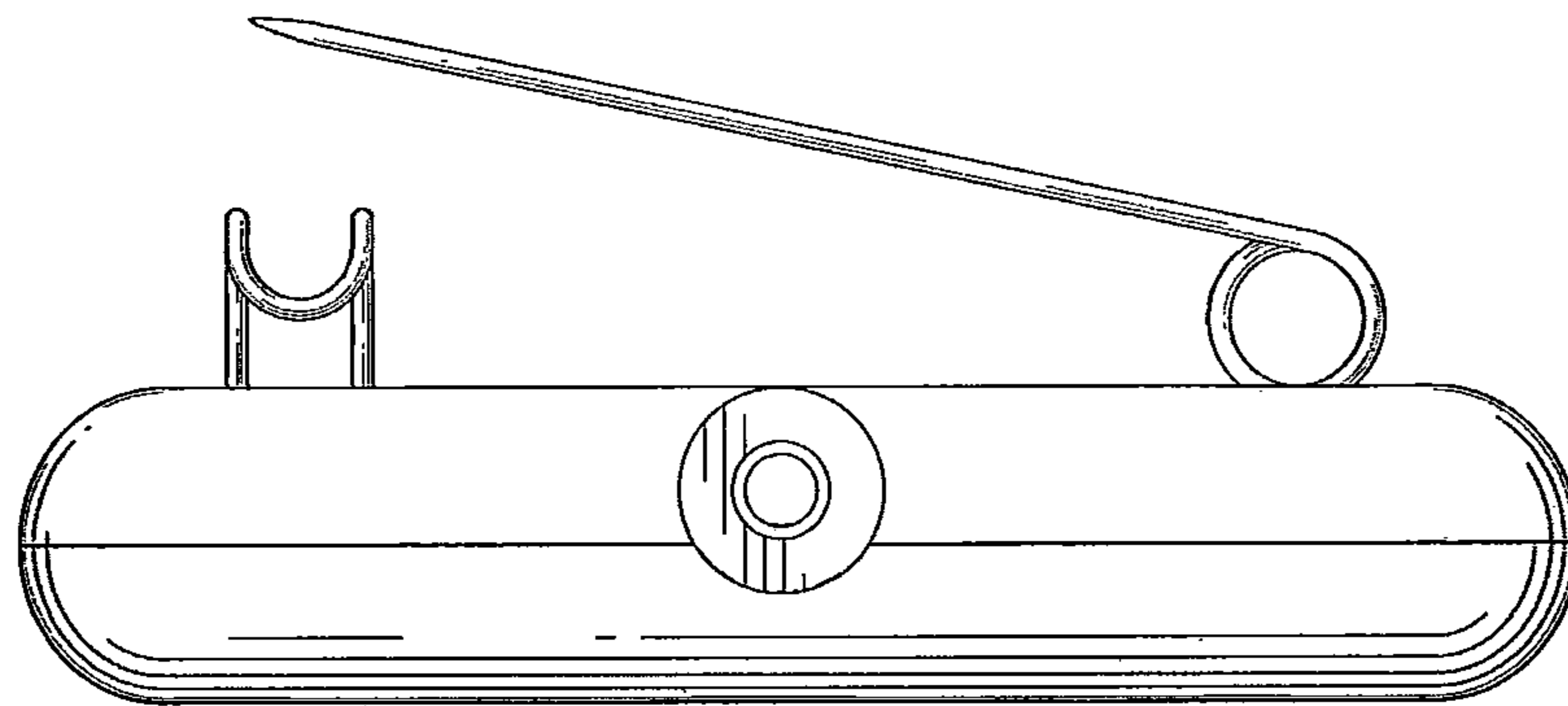


Fig. 2

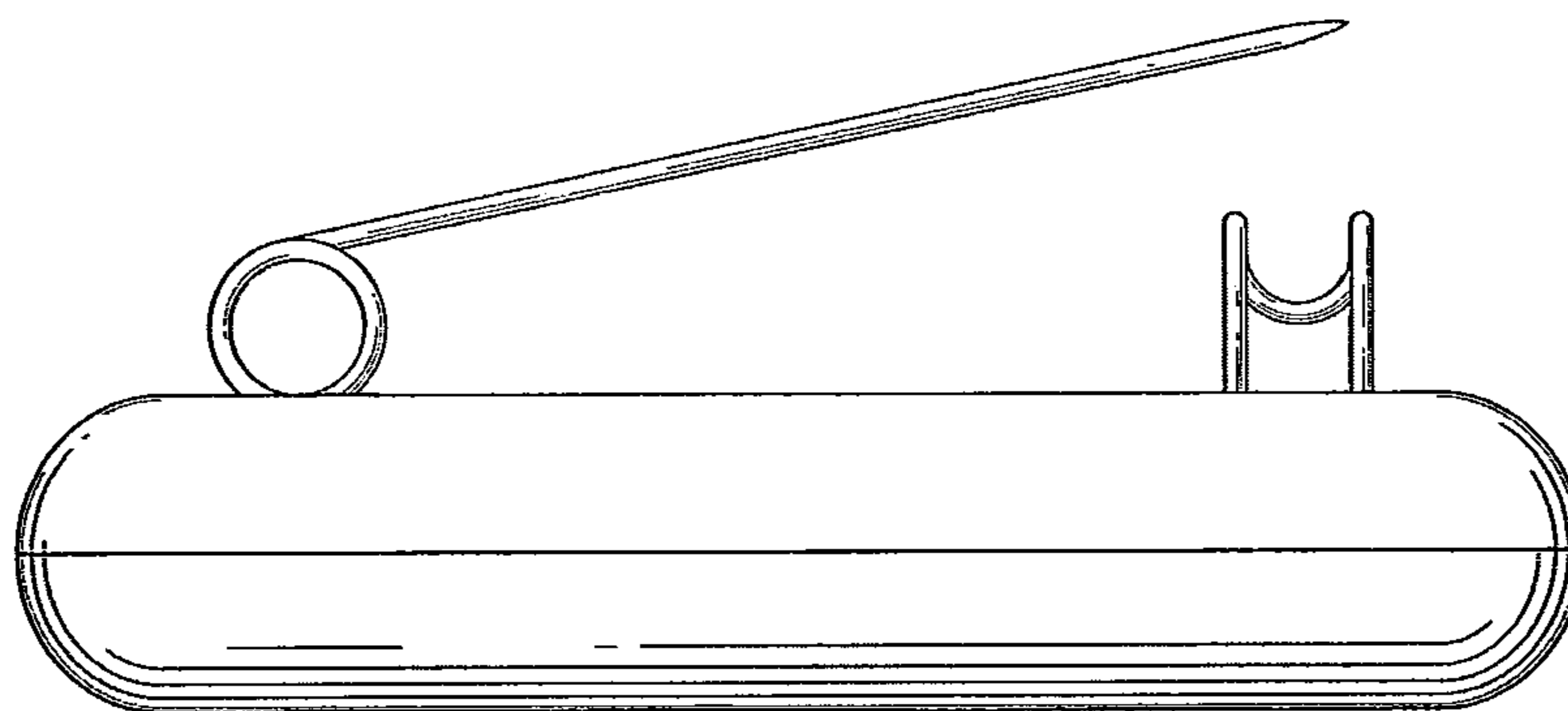


Fig. 3

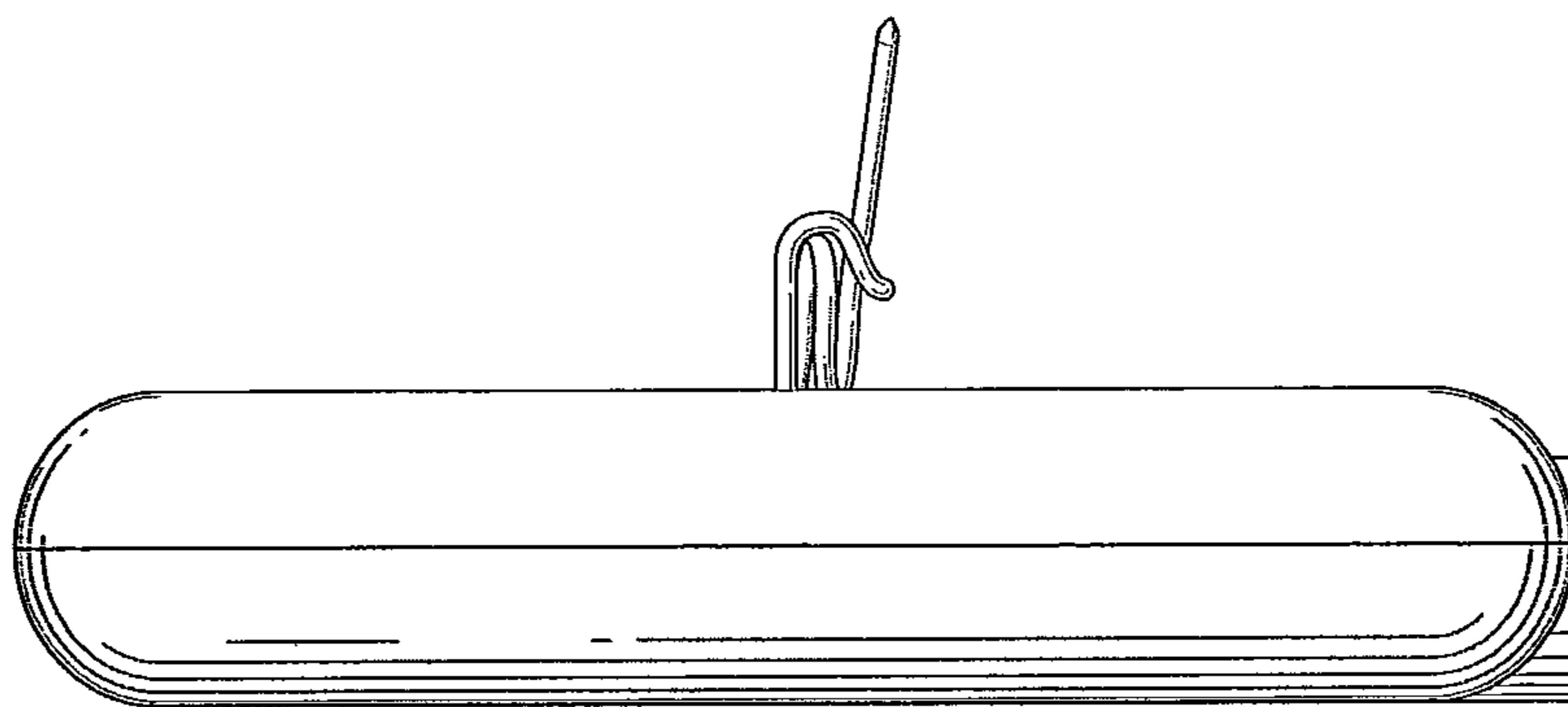


Fig. 4

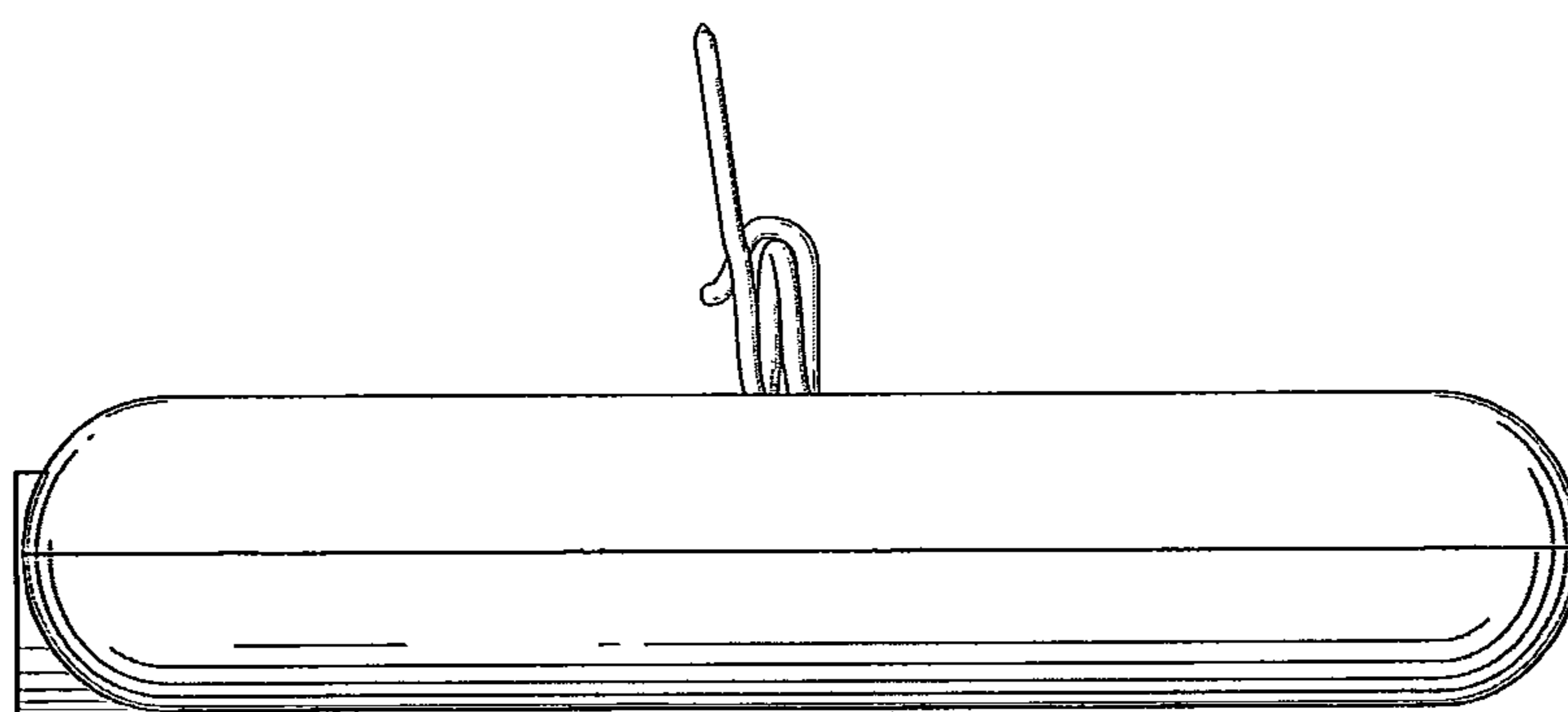


Fig. 5

Fig. 6

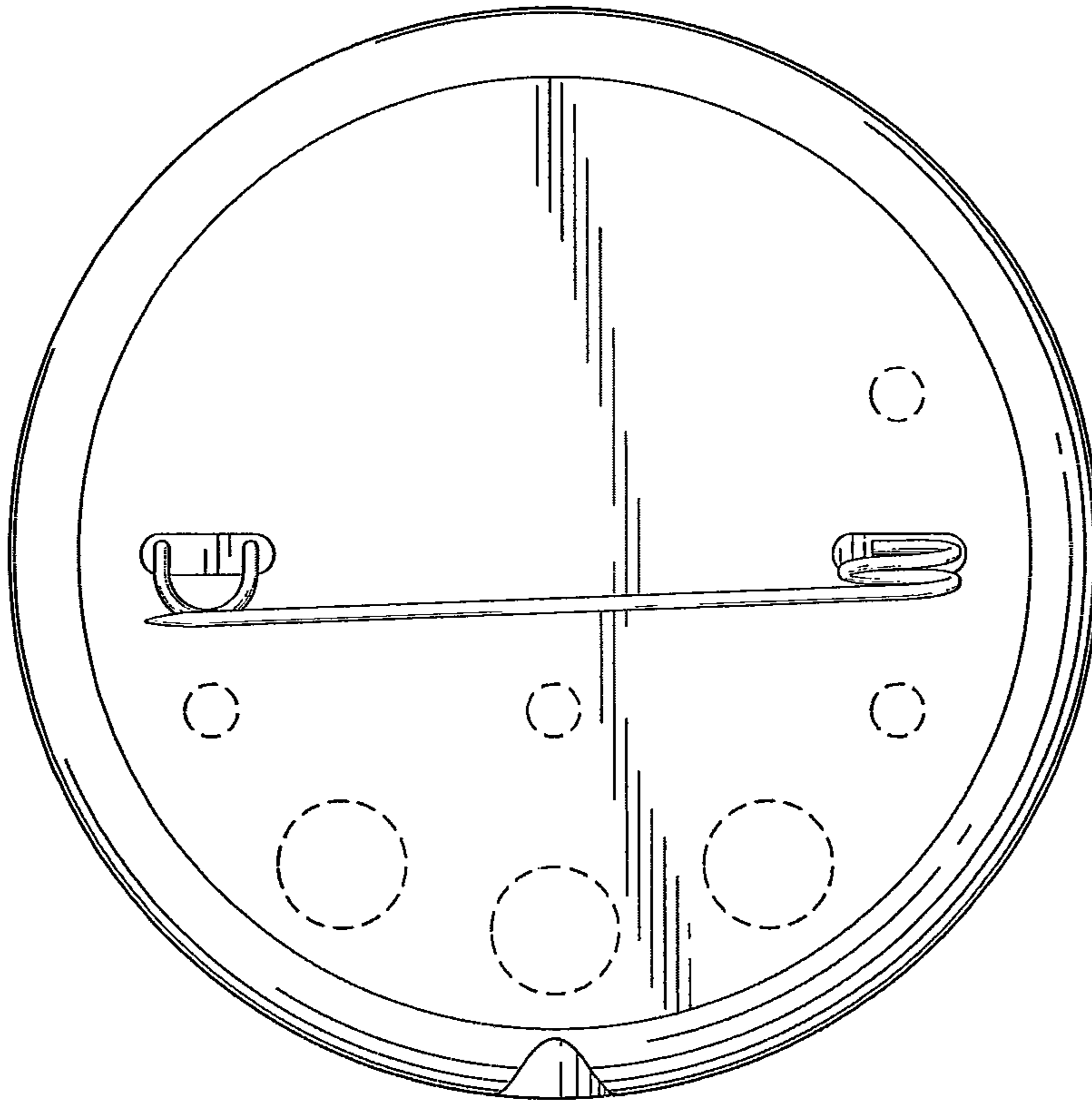
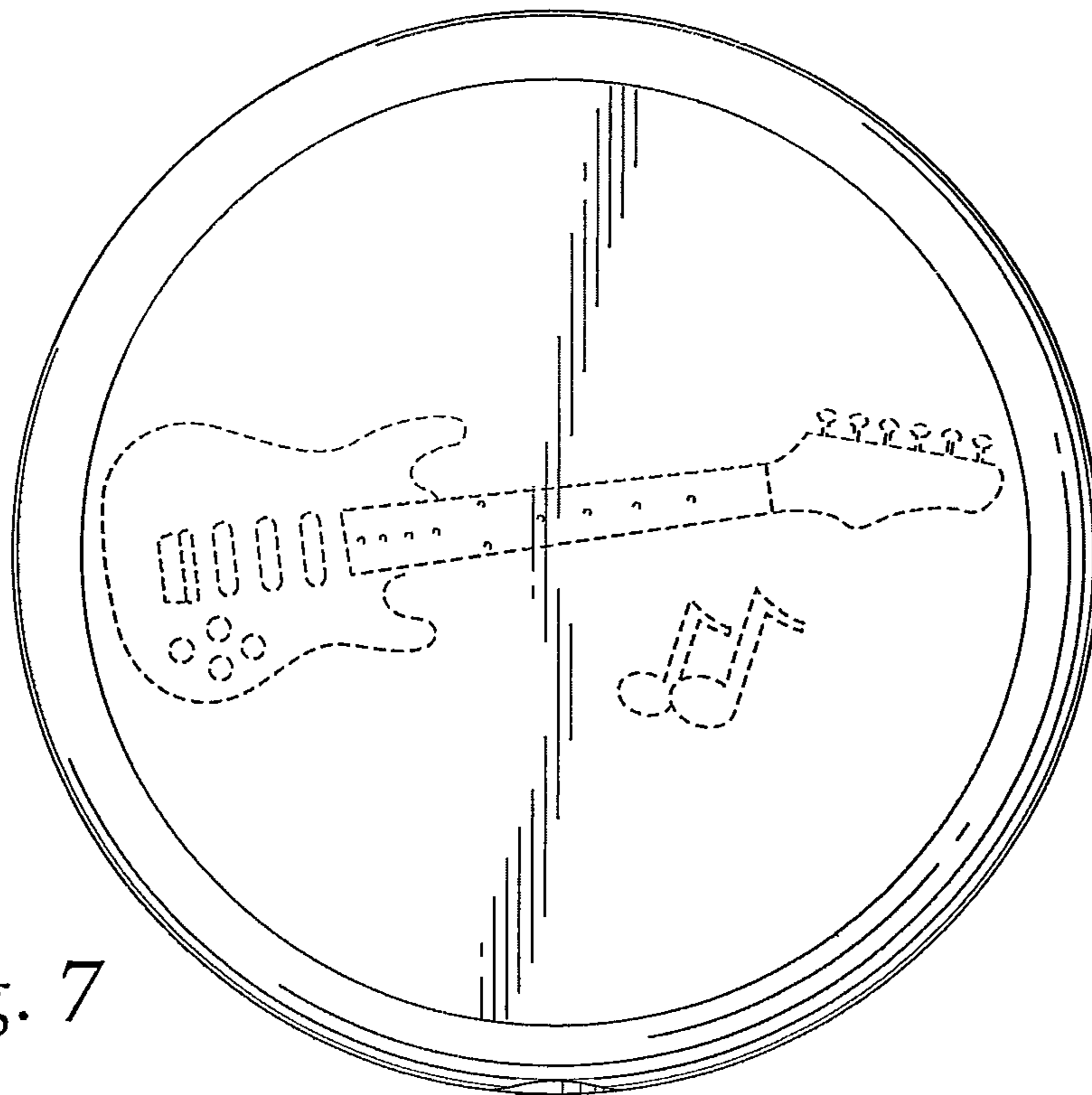


Fig. 7



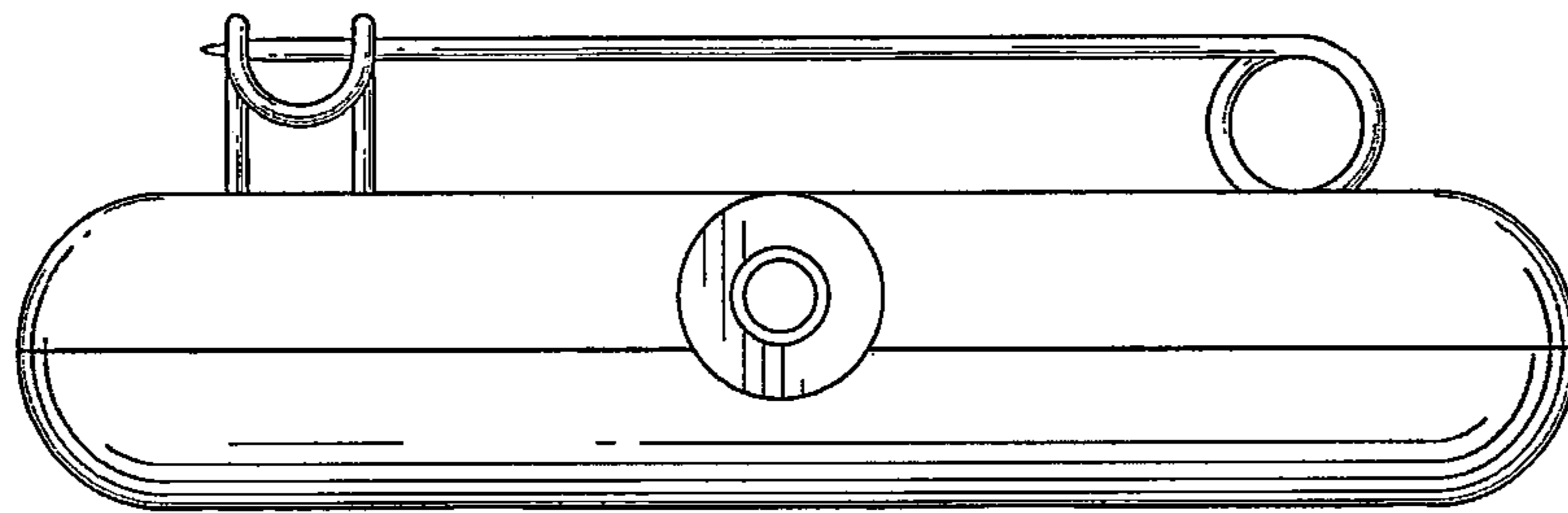


Fig. 8