



US00D686186S

(12) **United States Design Patent**
Kaneko et al.

(10) **Patent No.:** **US D686,186 S**
(45) **Date of Patent:** **** Jul. 16, 2013**

(54) **DIGITAL AUDIO DISC PLAYER WITH RADIO TUNER**

(75) Inventors: **Katsuyuki Kaneko**, Kanagawa (JP);
Satoshi Yoshimura, Kanagawa (JP)

(73) Assignee: **JVC Kenwood Corporation**, Kanagawa (JP)

(**) Term: **14 Years**

(21) Appl. No.: **29/419,448**

(22) Filed: **Apr. 27, 2012**

(30) **Foreign Application Priority Data**

Oct. 28, 2011 (JP) 2011-024928

(51) **LOC (9) Cl.** **14-01**

(52) **U.S. Cl.**
USPC **D14/168; D14/496**

(58) **Field of Classification Search**
USPC D14/496, 498-511, 162, 168, 171,
D14/188, 197, 198, 203.1-203.8; 360/99.02,
360/99.07; 369/75.11, 77.11, 77.21; 455/344,
455/347-351; 720/601, 612, 619, 649, 655
See application file for complete search history.

(56) **References Cited**

U.S. PATENT DOCUMENTS

D381,100 S * 7/1997 Fink D26/38
D468,717 S * 1/2003 Cuvelier D14/168

D483,736 S * 12/2003 Tanaka D14/168
D505,424 S * 5/2005 Ashida et al. D14/401
D510,926 S * 10/2005 Jerome D14/500
7,209,648 B2 * 4/2007 Barber et al. 386/243
D577,356 S * 9/2008 Moon et al. D14/215
D597,520 S * 8/2009 Shiono et al. D14/168
D599,821 S * 9/2009 Tang D14/496
D609,718 S * 2/2010 Chang et al. D14/496
D619,993 S * 7/2010 Song D14/168

* cited by examiner

Primary Examiner — Prabhakar Deshmukh

(74) *Attorney, Agent, or Firm* — Osha Liang LLP

(57) **CLAIM**

The ornamental design for digital audio disc player with radio tuner, as shown and described.

DESCRIPTION

FIG. 1 is a perspective view of front, right and top view of a digital audio disc player with radio tuner showing our new design;

FIG. 2 is a front view thereof;

FIG. 3 is a rear view thereof;

FIG. 4 is a left side view thereof;

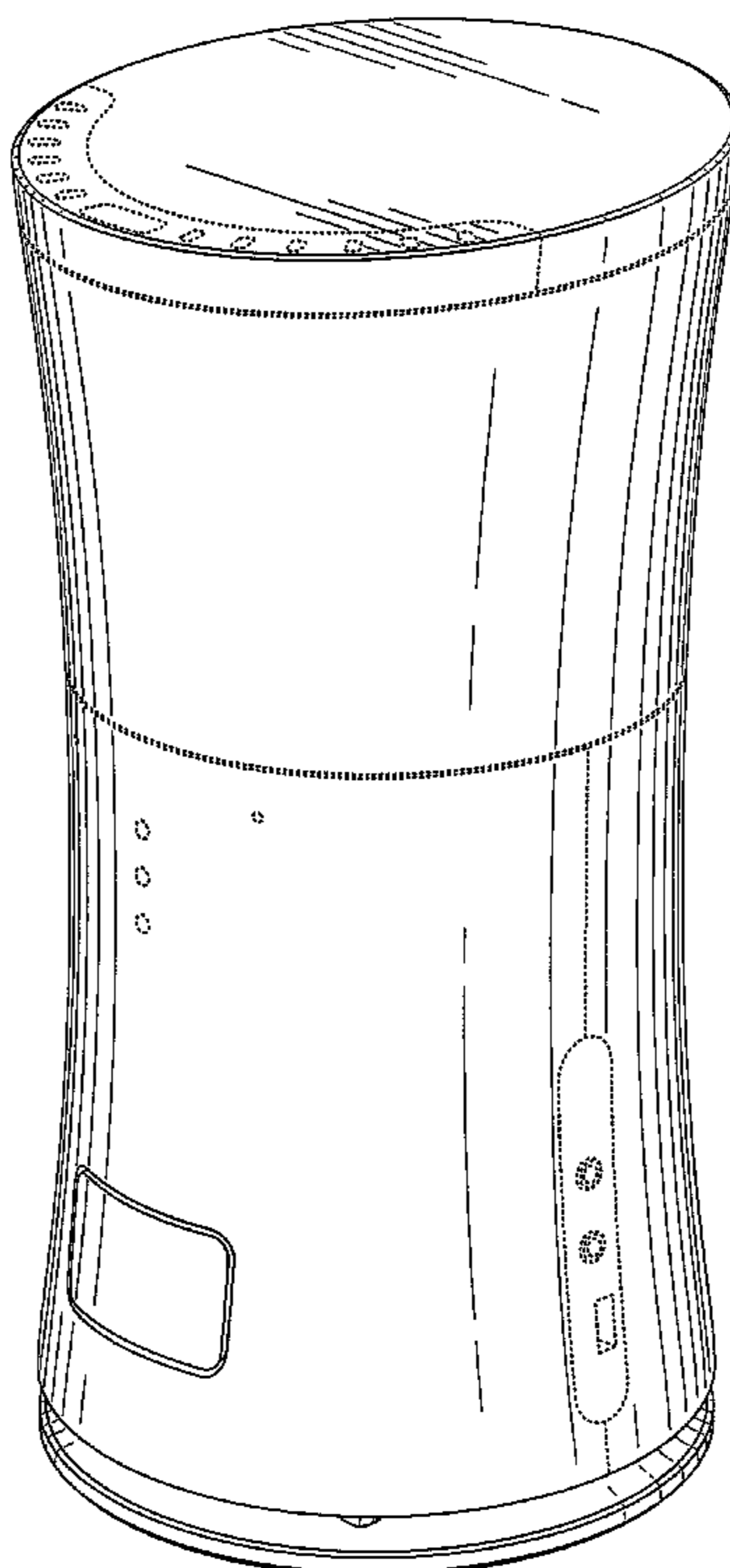
FIG. 5 is a right side view thereof;

FIG. 6 is a top view thereof; and,

FIG. 7 is a bottom view thereof.

The portions shown in broken lines are for illustrative purposes only and form not part of the claimed design.

1 Claim, 6 Drawing Sheets



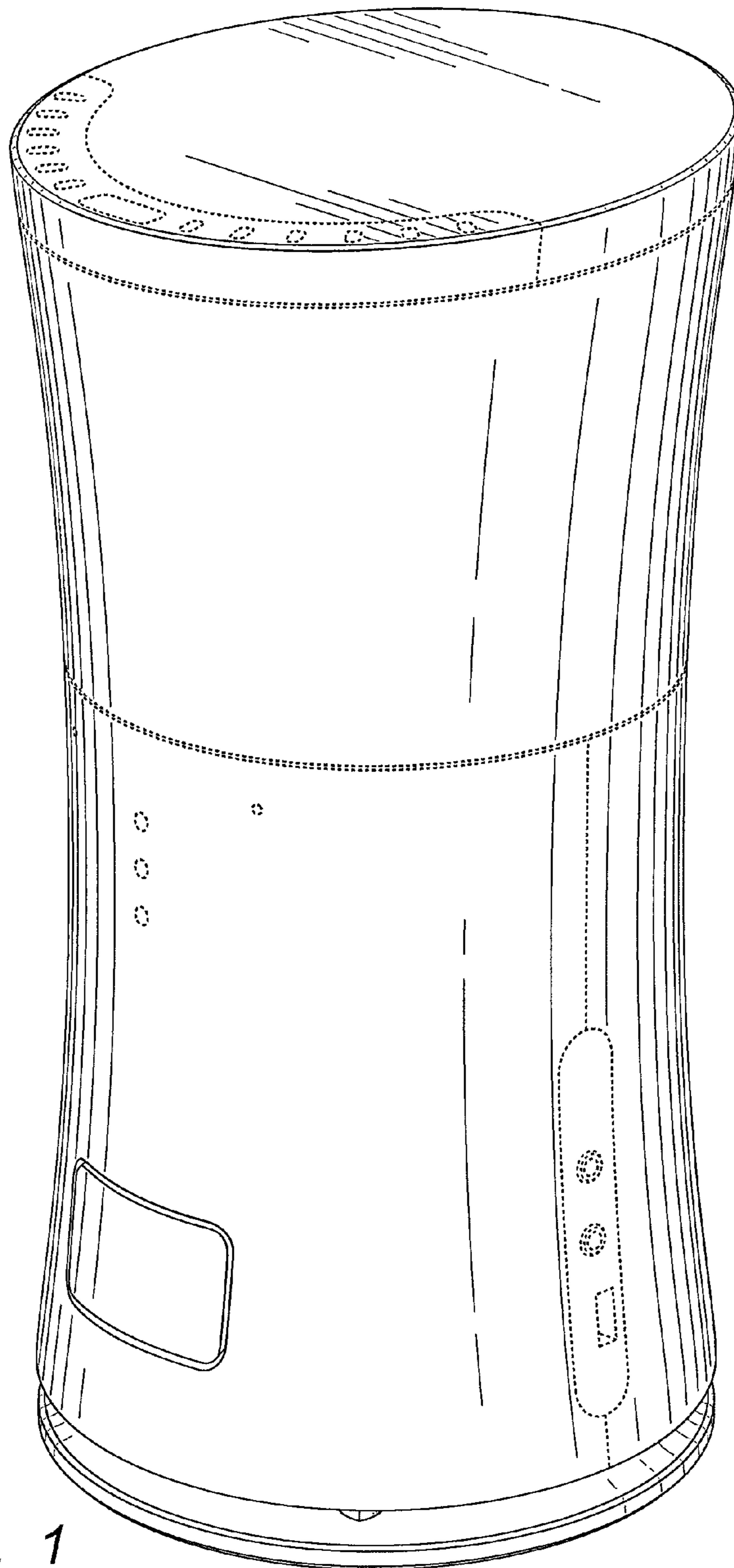


FIG. 1

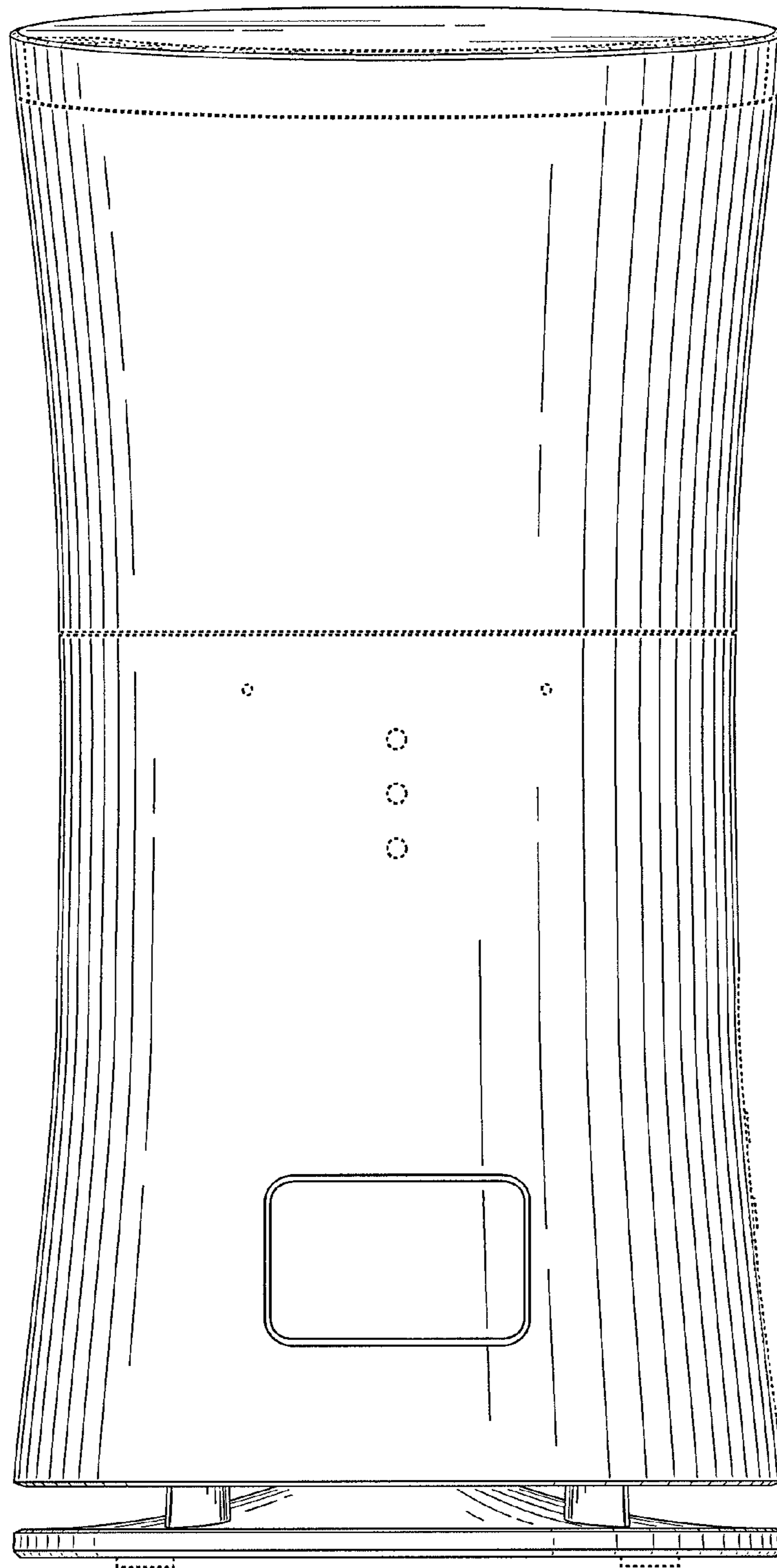


FIG. 2

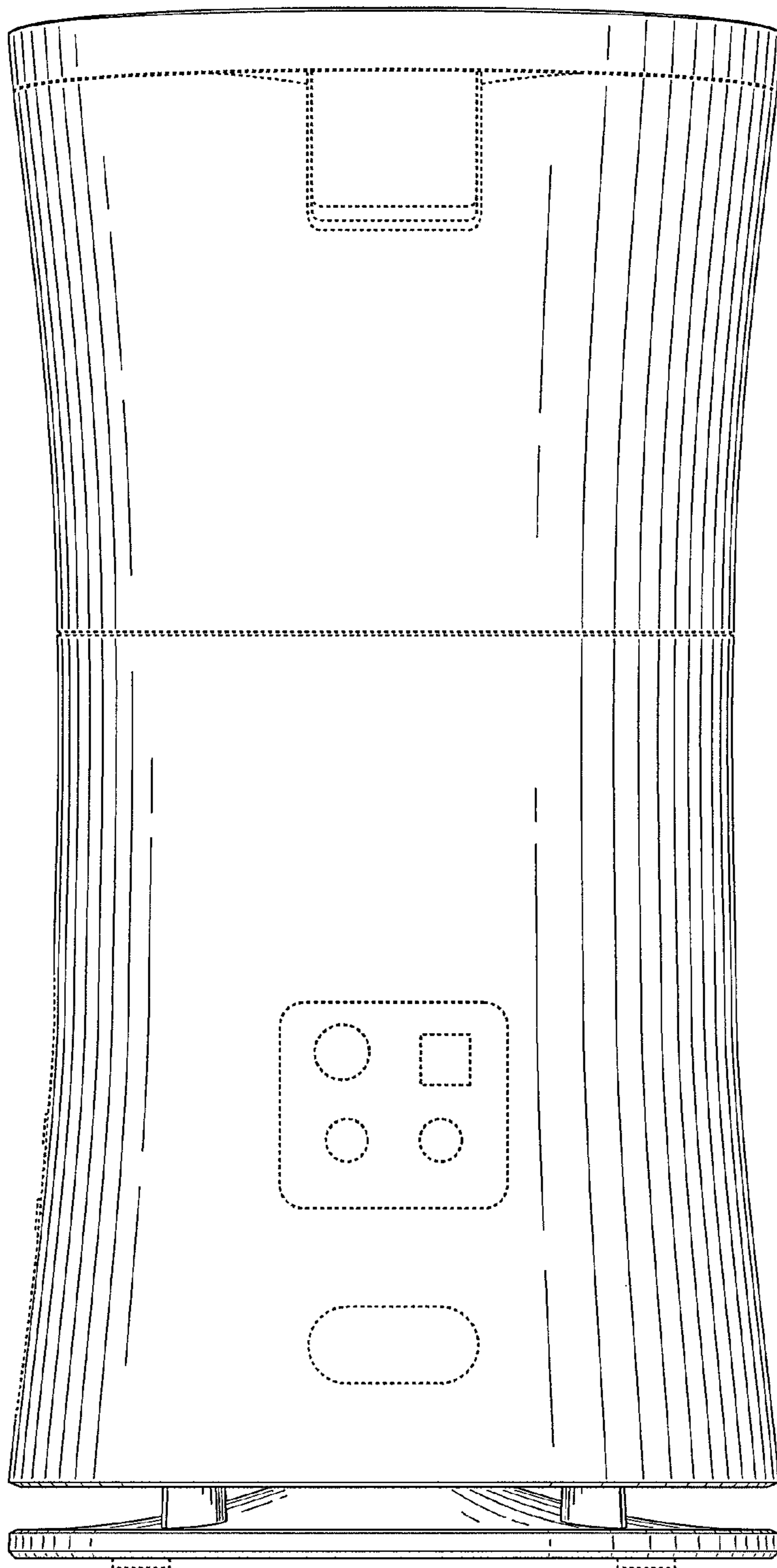


FIG. 3

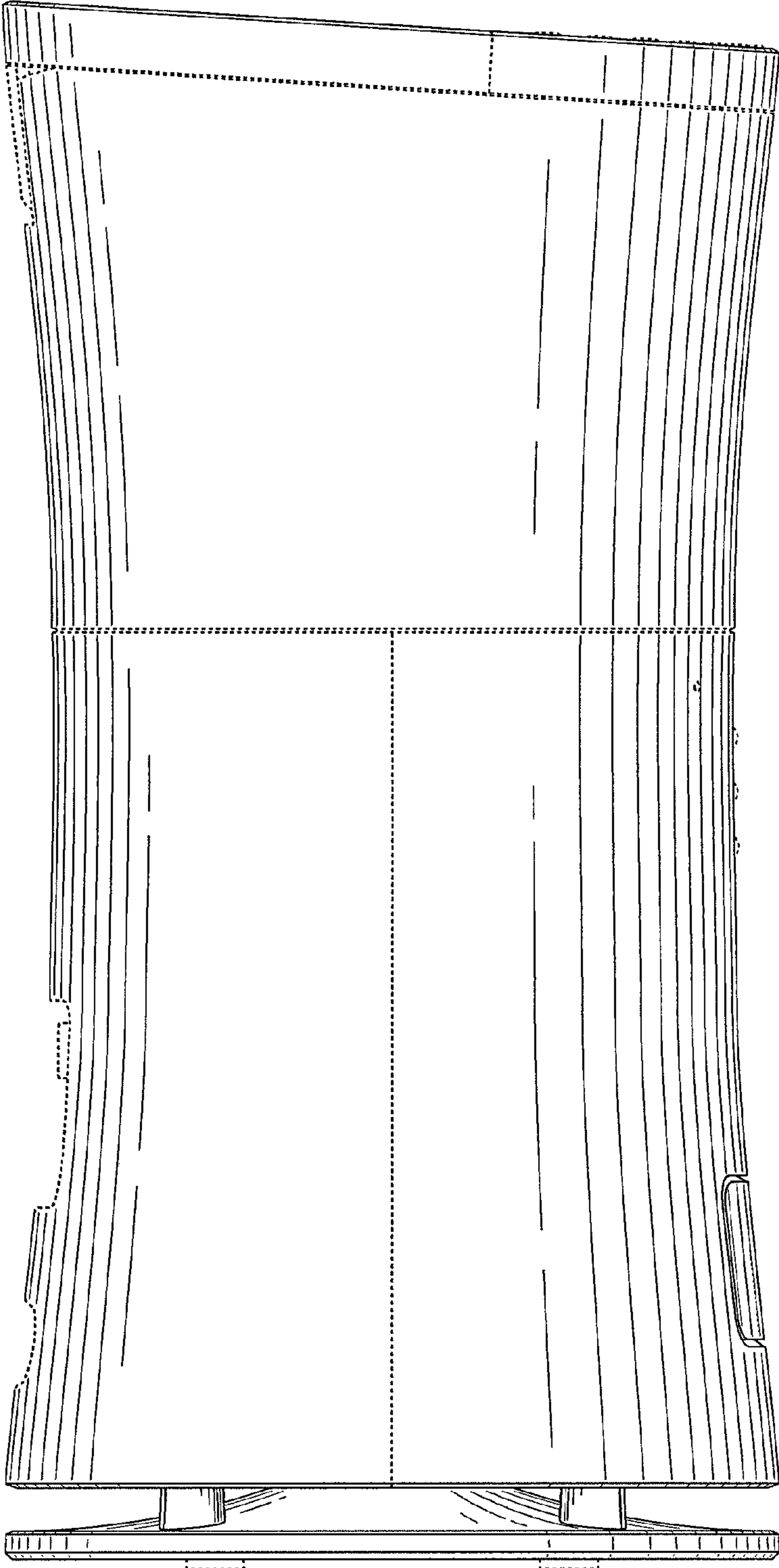


FIG. 4

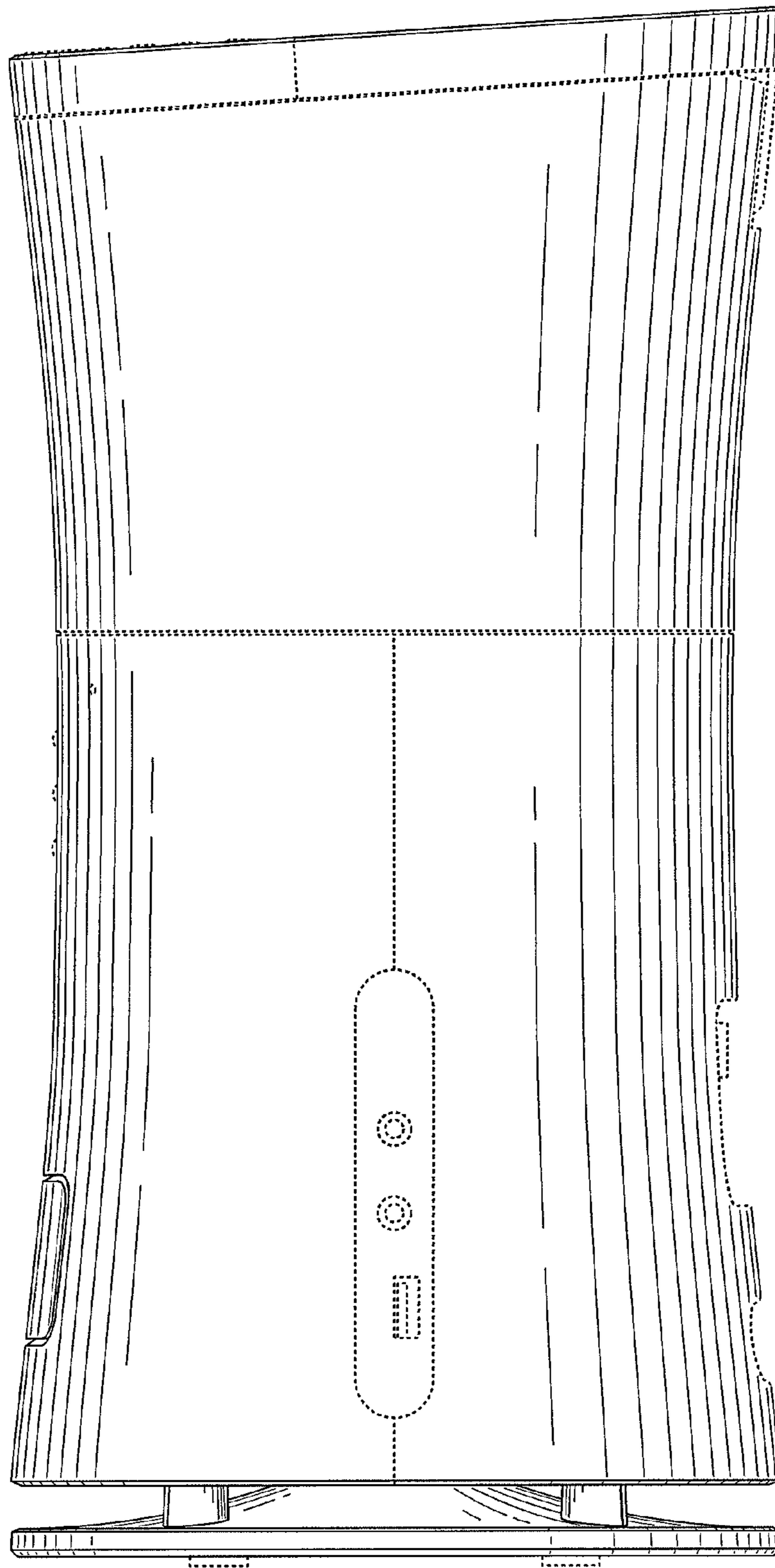


FIG. 5

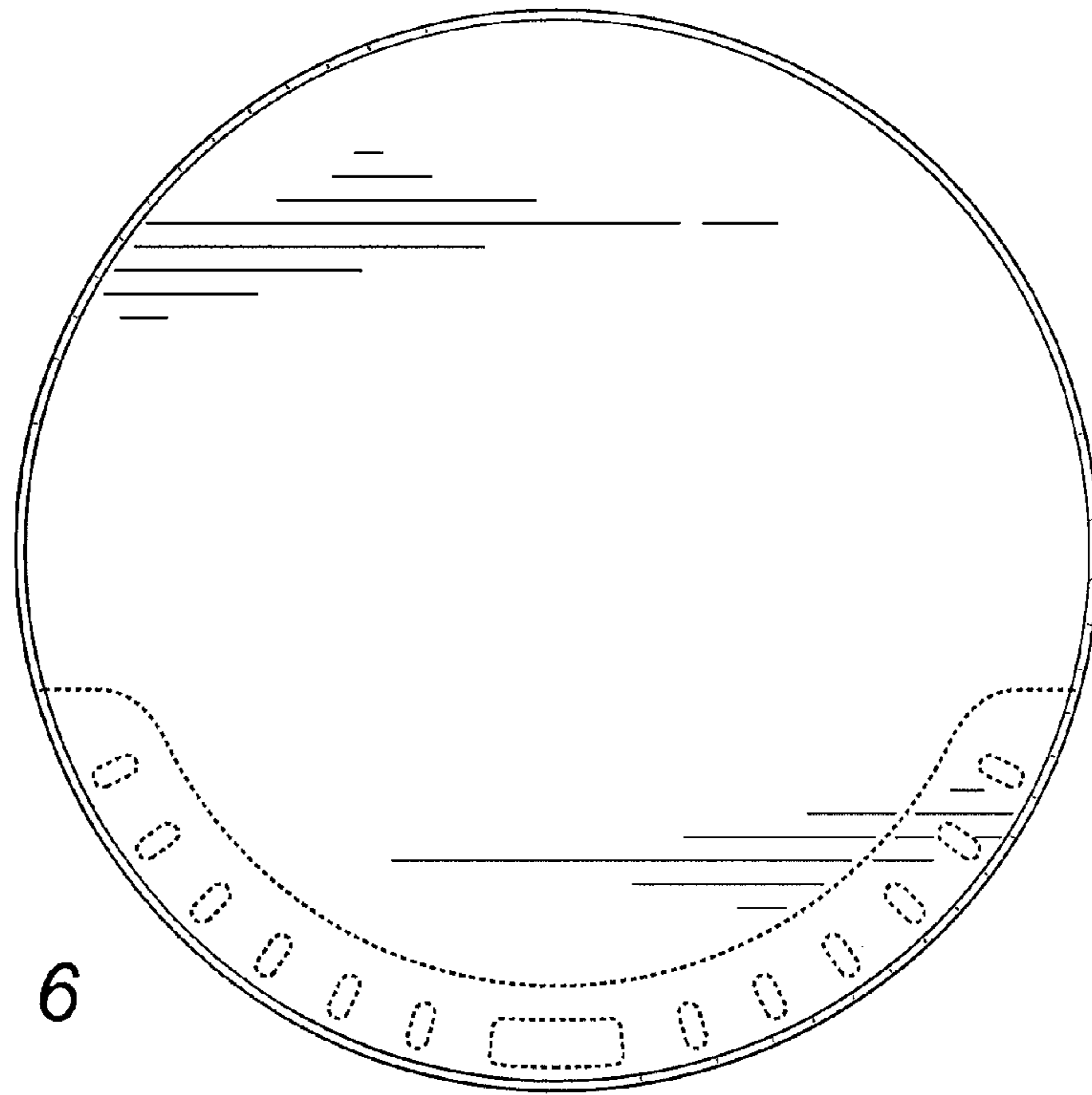


FIG. 6

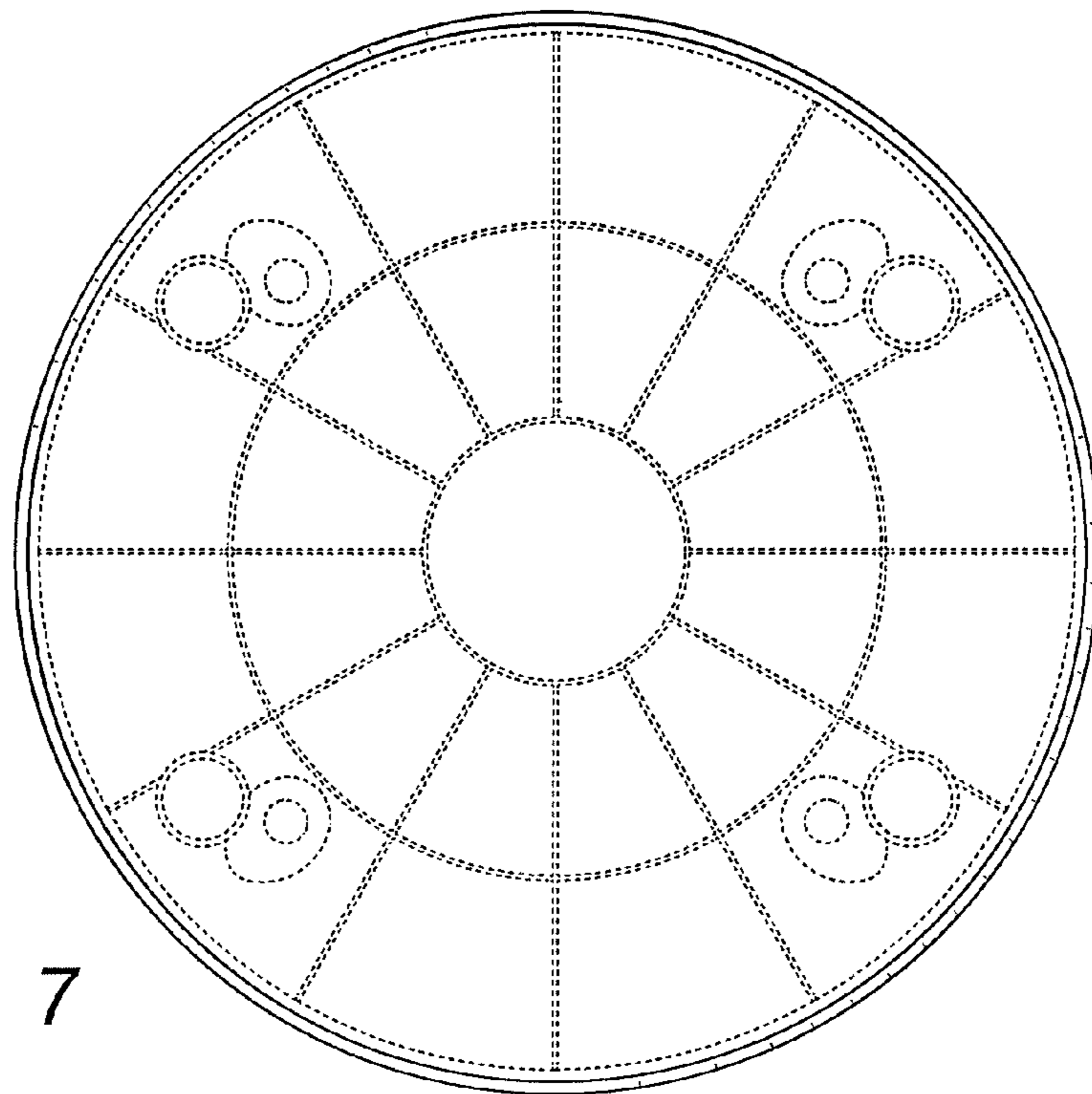


FIG. 7