



US00D686183S

(12) **United States Design Patent**  
**Basart et al.**

(10) **Patent No.:** **US D686,183 S**  
(45) **Date of Patent:** **\*\* Jul. 16, 2013**

(54) **TELEPHONE**

(75) Inventors: **Edwin Basart**, Los Altos, CA (US);  
**Dieter Werner Rencken**, Sunnyvale,  
CA (US); **Michael Joseph Delpier**,  
Houston, TX (US)

(73) Assignee: **ShoreTel, Inc.**, Sunnyvale, CA (US)

(\*\*) Term: **14 Years**

(21) Appl. No.: **29/352,843**

(22) Filed: **Dec. 28, 2009**

(51) **LOC (9) Cl.** ..... **14-03**

(52) **U.S. Cl.**  
USPC ..... **D14/151**

(58) **Field of Classification Search**  
USPC ..... D14/130, 140, 140.8, 140.9, 140.11,  
D14/142, 144-151, 158-159, 240, 243, 248,  
D14/329; 379/88.17, 90.01, 93.17, 387.01,  
379/388.02, 419-420.04, 420.02,  
428.01-428.04, 434-436, 440, 446-447,  
379/454-455, 93.23; D21/517;  
348/14.01-14.06

See application file for complete search history.

(56) **References Cited**

**U.S. PATENT DOCUMENTS**

D295,409	S	*	4/1988	Drew et al.	.....	D14/248
5,170,427	A	*	12/1992	Guichard et al.	.....	348/14.05
D347,632	S	*	6/1994	Hosoe	.....	D14/151
D349,900	S	*	8/1994	Read et al.	.....	D14/151
D354,061	S	*	1/1995	Desbarats	.....	D14/248
D359,490	S	*	6/1995	Arakaki et al.	.....	D14/146
D372,240	S	*	7/1996	Boykiw	.....	D14/151
D373,772	S	*	9/1996	Bennett et al.	.....	D14/248
D393,645	S	*	4/1998	Langlois et al.	.....	D14/248
D408,825	S	*	4/1999	Johnson et al.	.....	D14/248
D411,987	S	*	7/1999	Mizusugi et al.	.....	D14/329
D418,505	S	*	1/2000	Wood et al.	.....	D14/151
6,038,314	A	*	3/2000	Dynie et al.	.....	379/435
D457,152	S	*	5/2002	Nam	.....	D14/151

D458,599	S	*	6/2002	Nagase	.....	D14/248
D461,462	S	*	8/2002	Shen et al.	.....	D14/151
D499,724	S	*	12/2004	Weidinger	.....	D14/248
D550,644	S	*	9/2007	Cho et al.	.....	D14/151
D552,071	S	*	10/2007	Park et al.	.....	D14/151
D556,180	S	*	11/2007	Udagawa et al.	.....	D14/151
D562,304	S	*	2/2008	Takada et al.	.....	D14/151
D581,897	S	*	12/2008	Katori	.....	D14/151
D582,886	S	*	12/2008	Woo et al.	.....	D14/151
D594,439	S	*	6/2009	Jeon et al.	.....	D14/151
D615,066	S	*	5/2010	Huang et al.	.....	D14/142
2009/0161862	A1	*	6/2009	Yoshida et al.	.....	379/436

**OTHER PUBLICATIONS**

ShoreTel IP Phone 655, <URL:http://www.shoretel.com/products/ip\_phones/ShoreTel\_IP\_Phone\_655.html>, retrieved from internet on Nov. 17, 2011.\*

(Continued)

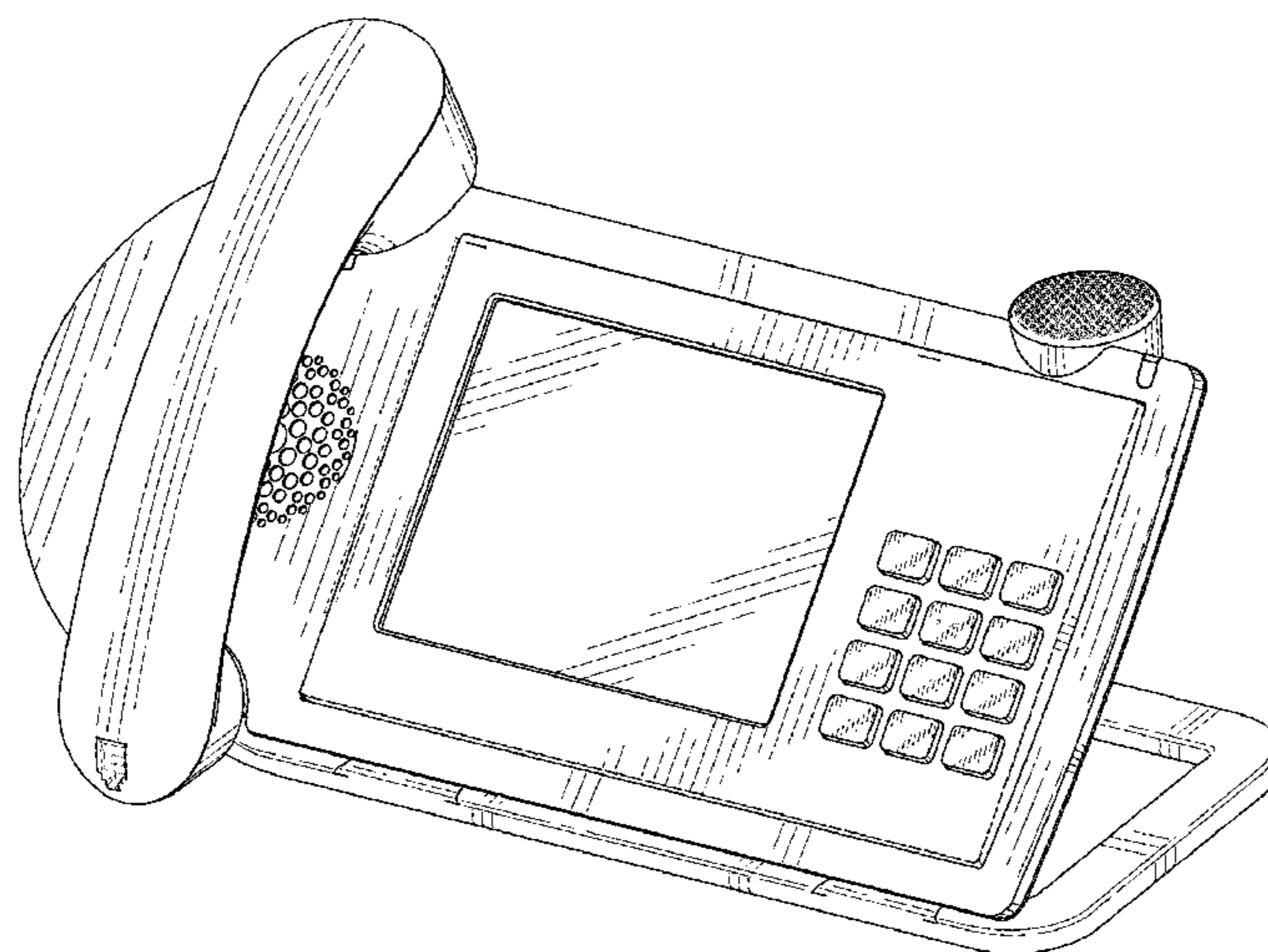
*Primary Examiner* — Carla Jobe Wright  
(74) *Attorney, Agent, or Firm* — Kilpatrick Townsend & Stockton LLP

(57) **CLAIM**  
The ornamental design for a telephone, as shown and described.

**DESCRIPTION**

FIG. 1 is a perspective view of a telephone showing our new design;  
FIG. 2 is a front elevational view thereof;  
FIG. 3 is a rear elevational view thereof;  
FIG. 4 is a top plan view thereof;  
FIG. 5 is a bottom plan view thereof;  
FIG. 6 is a left side elevational view thereof;  
FIG. 7 is a right side elevational view thereof; and,  
FIG. 8 is a perspective view of the telephone of FIG. 1 shown with the handset removed from the base of the telephone.  
In the drawings, the broken lines indicate portions of the telephone that form no part of the claimed design.

**1 Claim, 8 Drawing Sheets**



OTHER PUBLICATIONS

ShoreTel IP Phone 560g, <URL:[http://www.shoretel.com/products/ip\\_phones/ShoreTel\\_IP\\_Phone\\_560g.html](http://www.shoretel.com/products/ip_phones/ShoreTel_IP_Phone_560g.html)>, retrieved from internet on Nov. 17, 2011.\*

Review of ShoreTel IP Phone 655, review published on Aug. 5, 2010, <URL:<http://www.myphonescout.com/2010/08/where-is-shoretels-ip655-phone/>>, retrieved from internet on Nov. 17, 2011.\*

Nortel Networks IP 2007 VoIP Phone, <URL:<http://www.telephonemagic.com/nortel-i2007-voip-phone.htm>>, retrieved from internet Nov. 17, 2011.\*

Nortel IP Phone 3904, <URL: <http://www.commprod.com/nortel/products/phones/3904/>>, retrieved from internet Nov. 17, 2011.\*

ShoreTel IP655 Touch Screen Phone Presentation from Business Telecommunication Systems, uploaded on Dec. 13, 2010, <URL:<http://www.youtube.com/watch?v=zjAaLBJm3A>>, retrieved from internet on Feb. 28, 2013.\*

\* cited by examiner

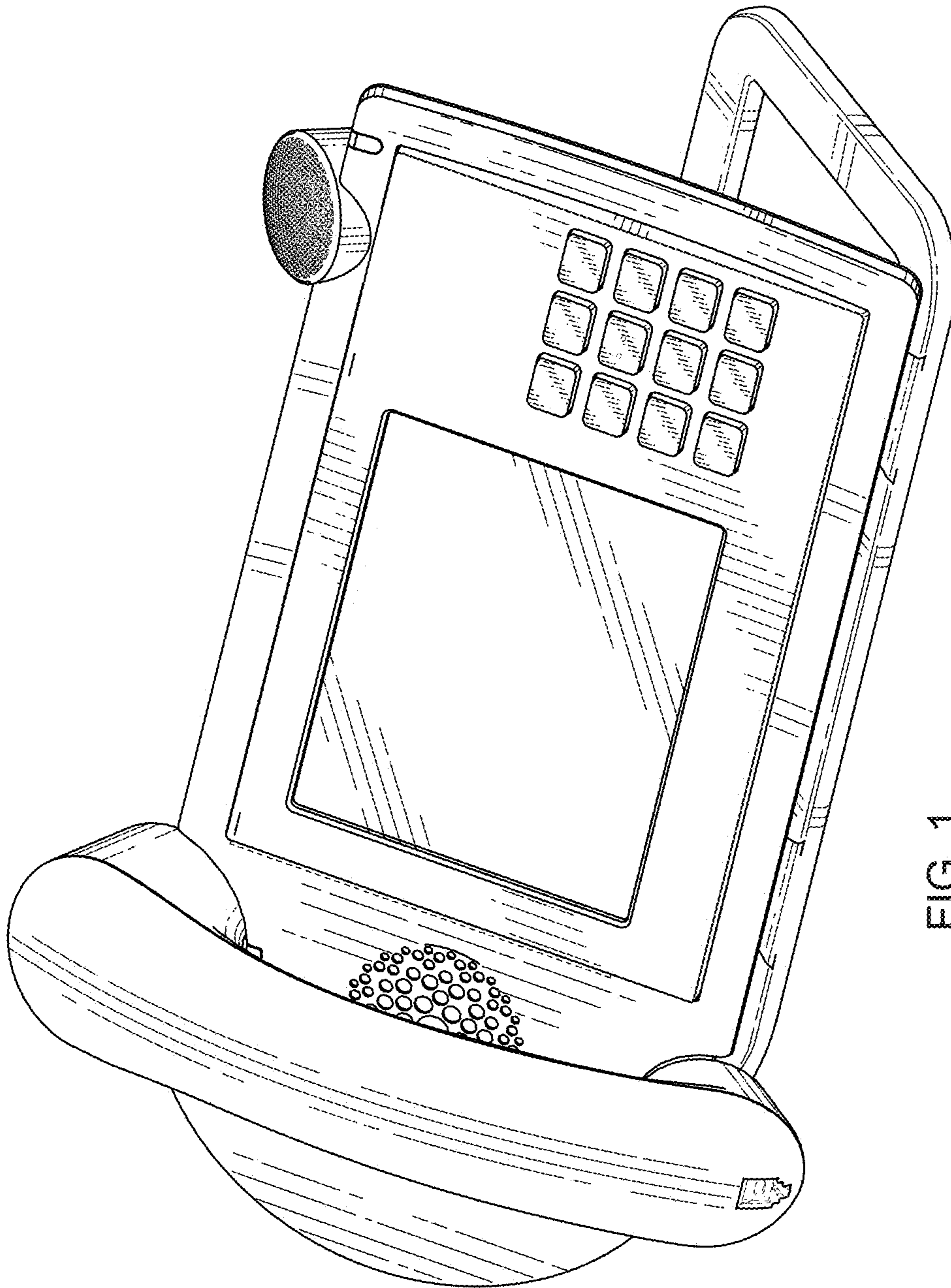


FIG. 1

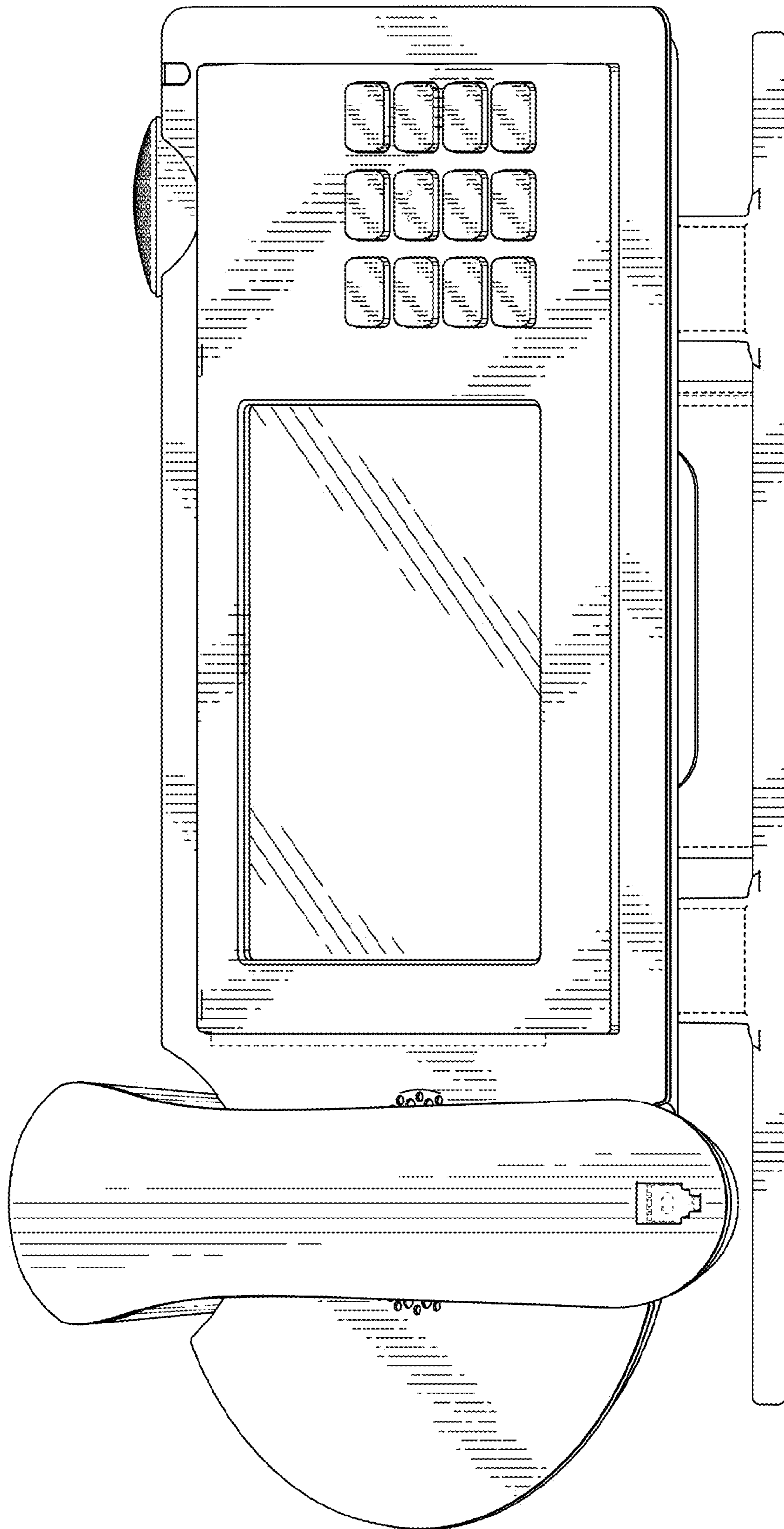


FIG. 2

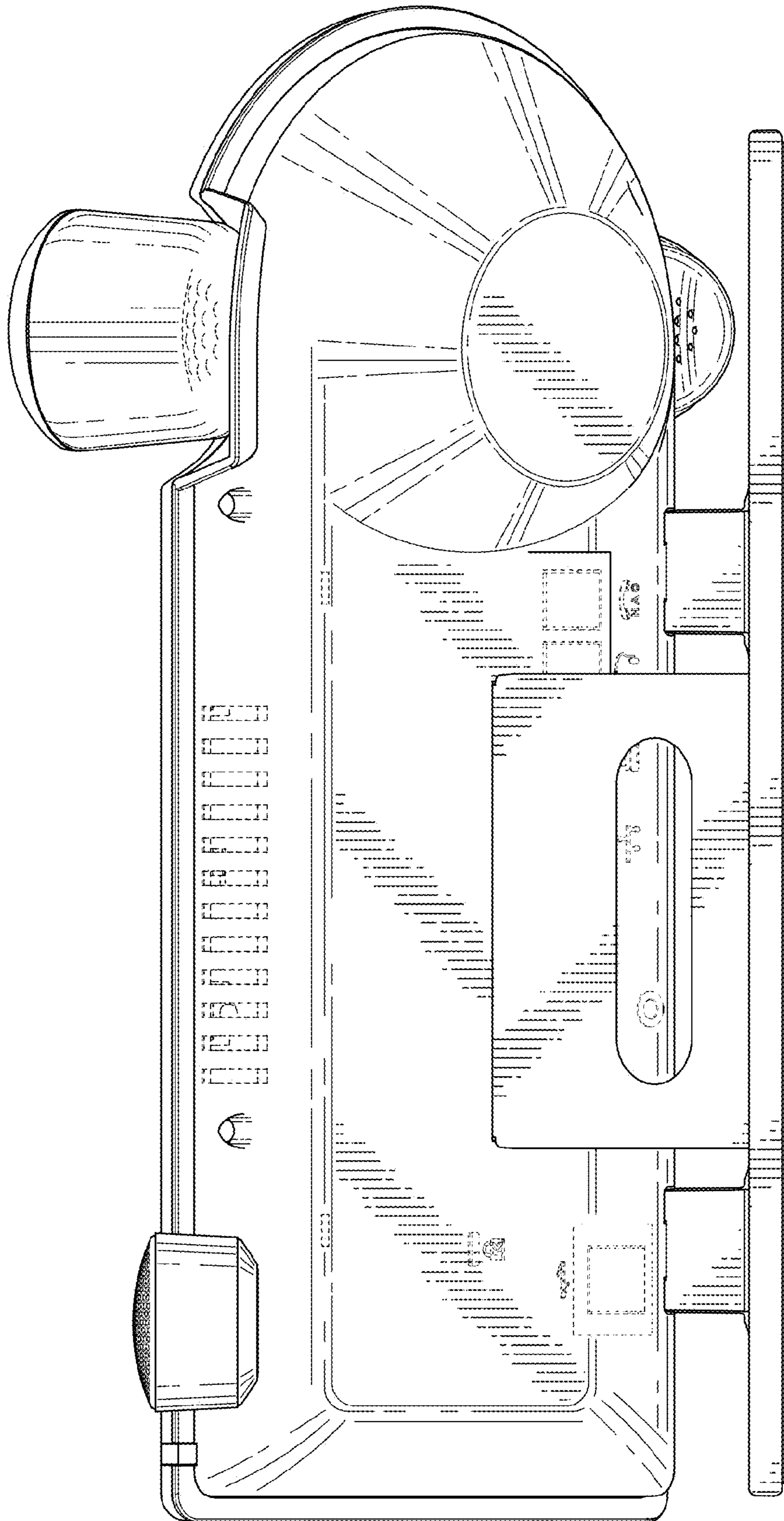


FIG. 3

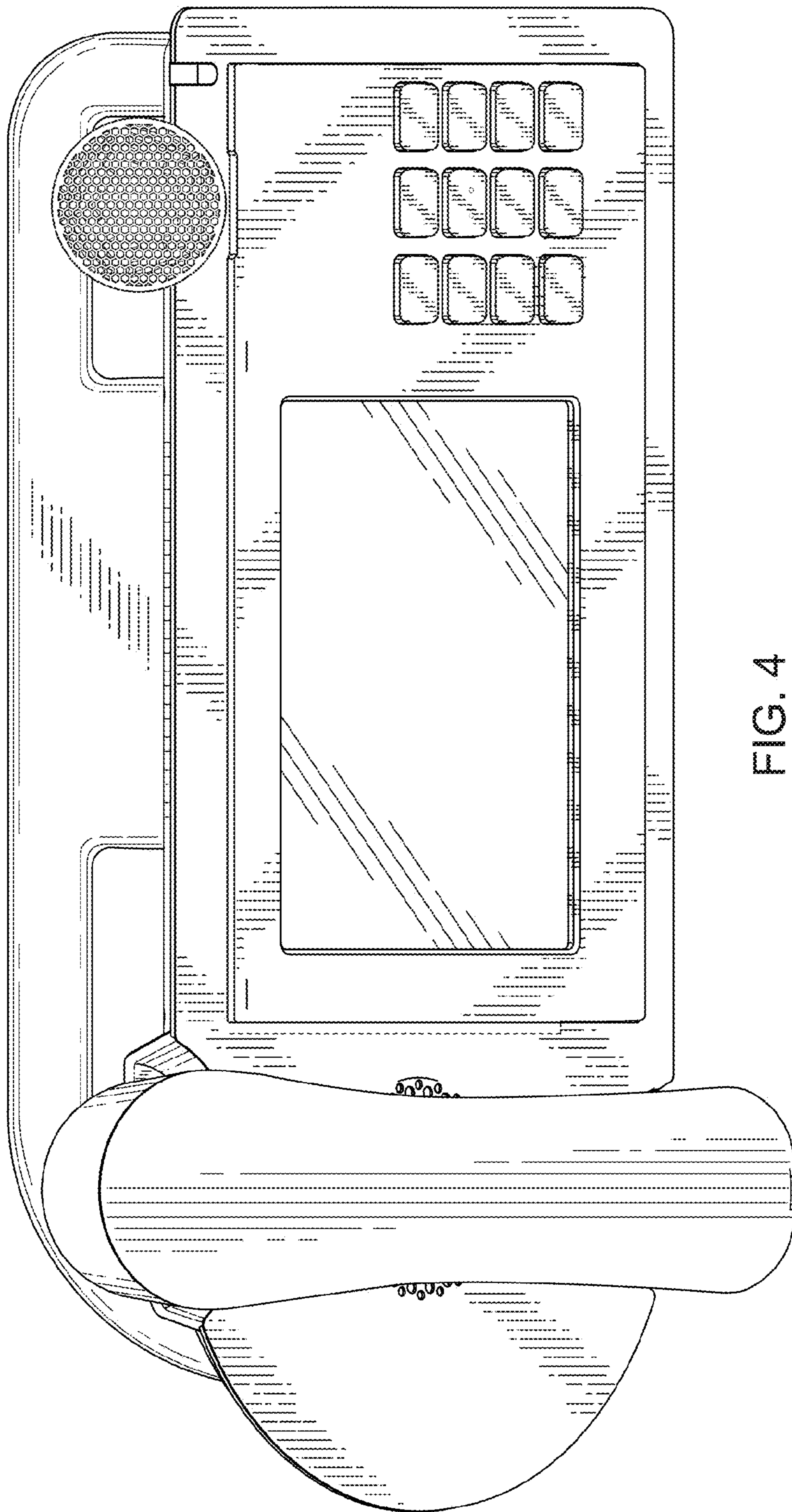


FIG. 4

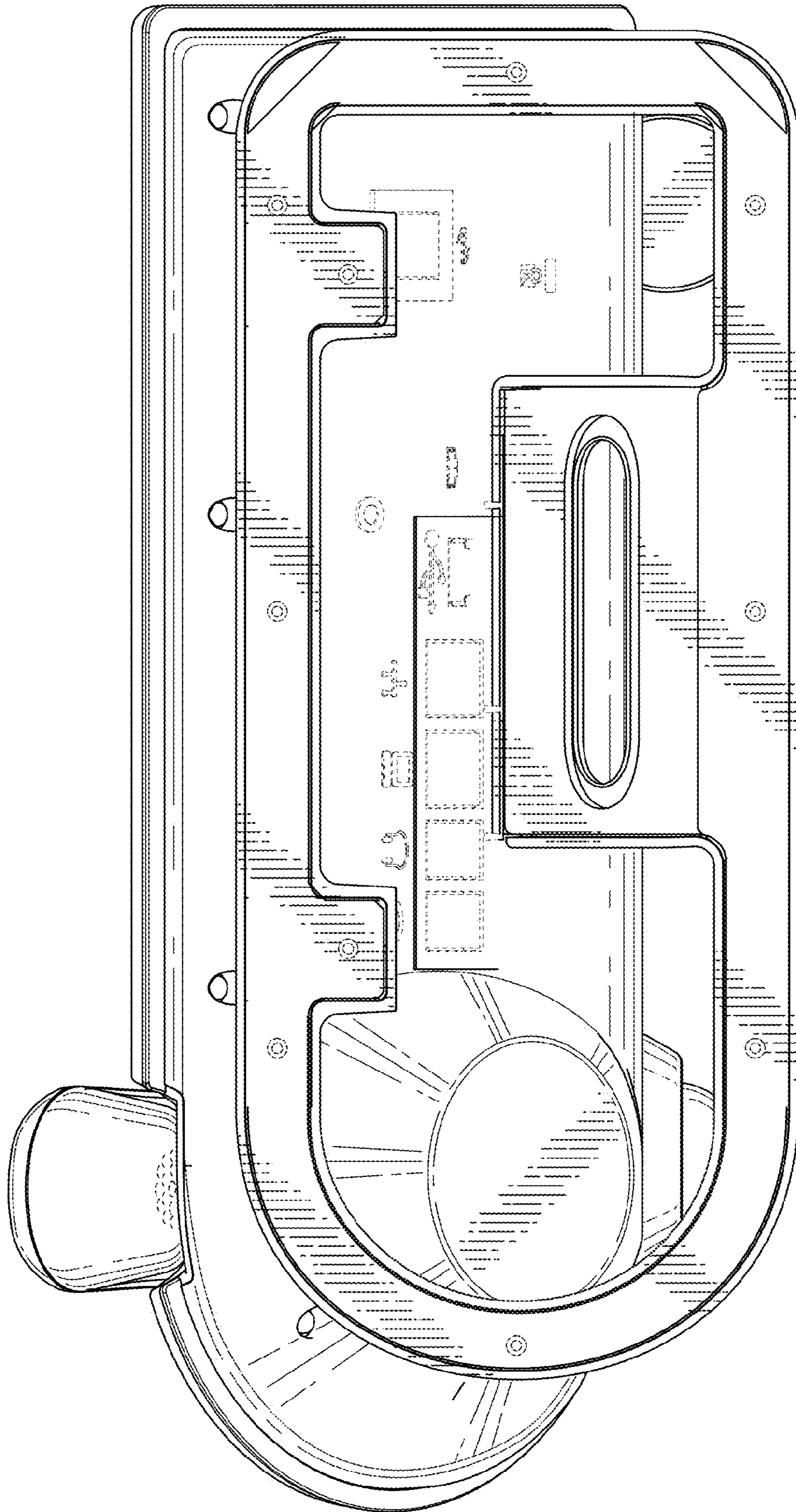


FIG. 5

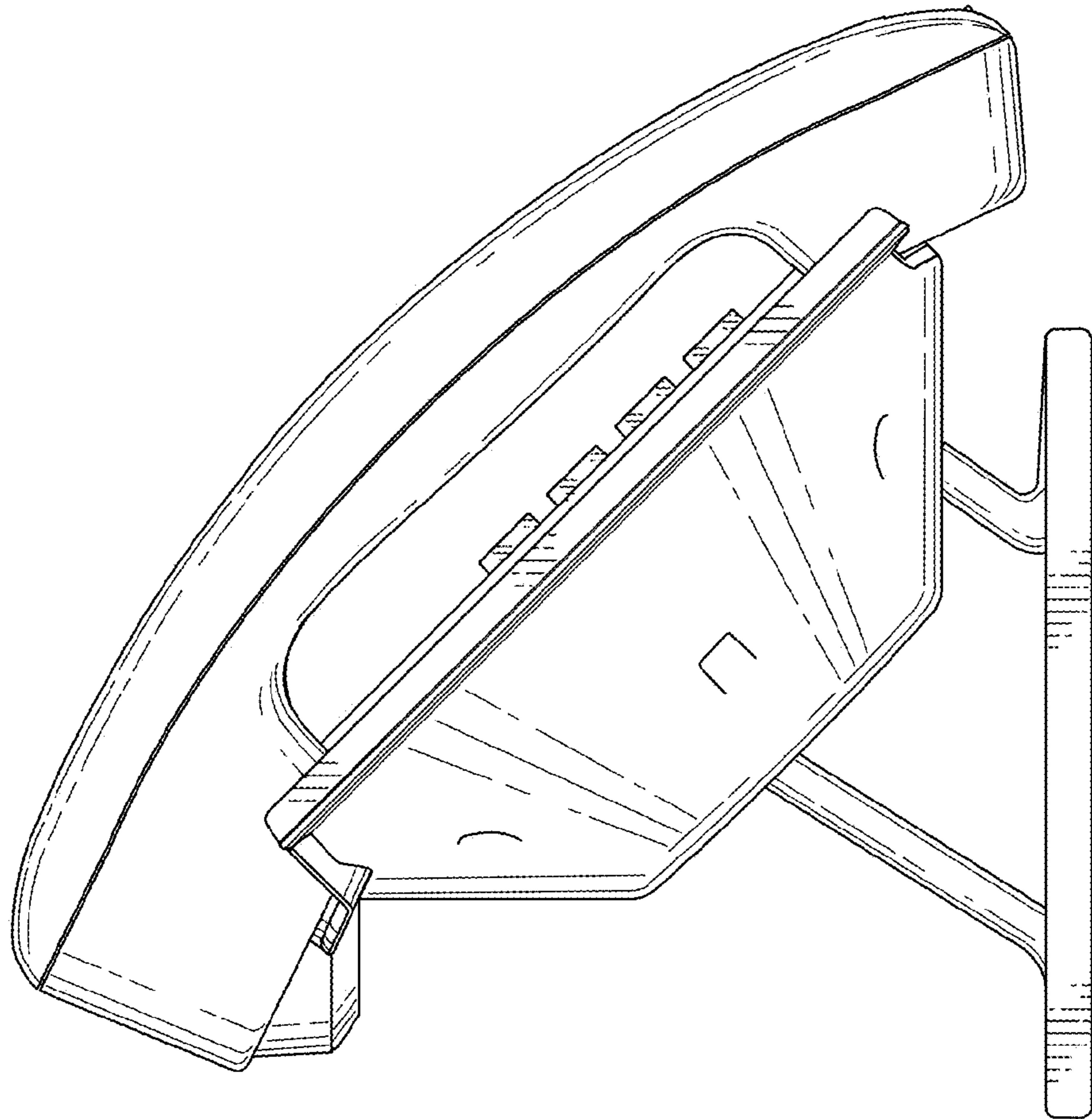


FIG. 6



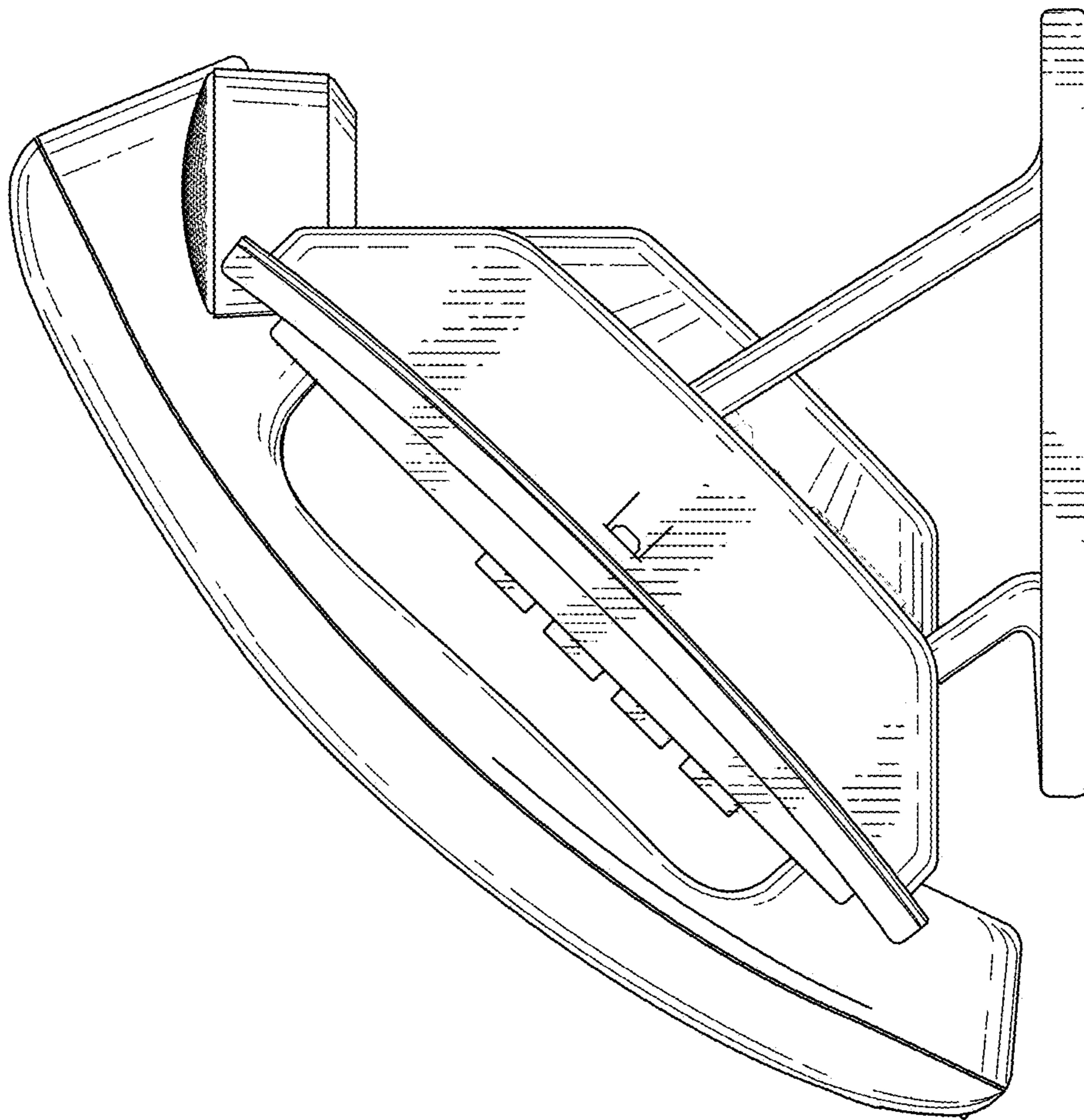


FIG. 7

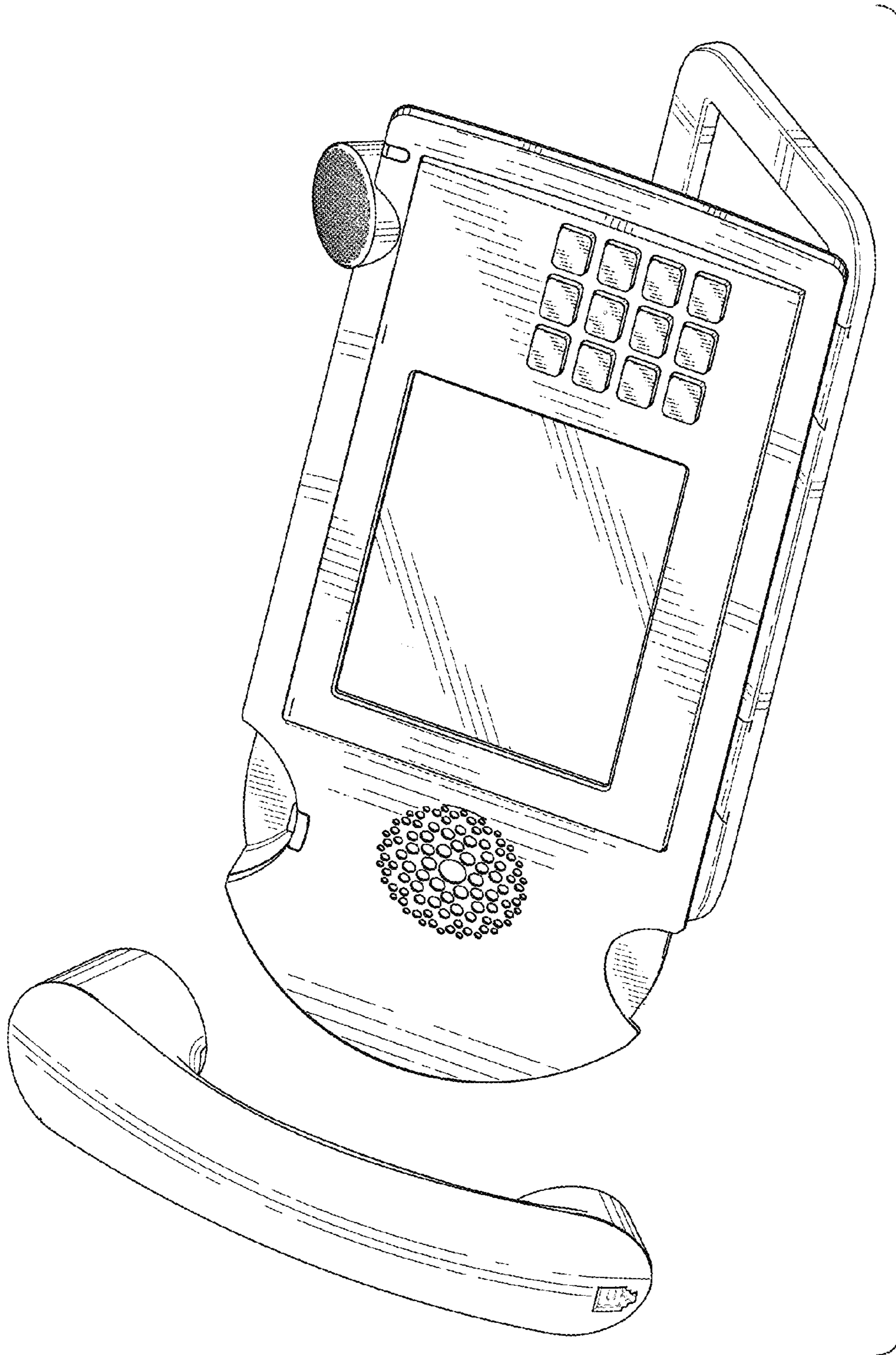


FIG. 8