



US00D686178S

(12) **United States Design Patent**
Lee

(10) **Patent No.:** **US D686,178 S**
(45) **Date of Patent:** **** Jul. 16, 2013**

(54) **MOBILE COMMUNICATION TERMINAL**

(75) Inventor: **Kyung-Jin Lee**, Seoul (KR)

(73) Assignee: **Samsung Electronics Co., Ltd.**,
Suwon-Si (KR)

(**) Term: **14 Years**

(21) Appl. No.: **29/422,919**

(22) Filed: **May 25, 2012**

(30) **Foreign Application Priority Data**

Jan. 5, 2012 (KR) 30-2012-0000537

(51) **LOC (9) Cl.** **14-03**

(52) **U.S. Cl.**
USPC **D14/138 G**

(58) **Field of Classification Search**
USPC D14/138 R, 138 AD, 138 AC, 138 C,
D14/138 G, 191, 203.1–203.8, 496, 138 AA,
D14/138 AB, 137, 147, 218, 341–347,
D14/247–248; D10/65, 78, 104; D13/168;
D18/7; 455/566, 575.1, 575.3, 575.4
See application file for complete search history.

(56) **References Cited**

U.S. PATENT DOCUMENTS

- D580,430 S * 11/2008 Wei D14/341
- D597,516 S * 8/2009 Kim D14/138 AD
- D605,623 S * 12/2009 Aarras D14/138 AD
- D611,025 S * 3/2010 Yu D14/138 G
- D616,856 S * 6/2010 Song et al. D14/138 AD
- D619,989 S * 7/2010 Huang D14/138 G
- D621,378 S * 8/2010 Kim et al. D14/138 AD
- D622,691 S * 8/2010 Kim et al. D14/138 G
- D624,519 S * 9/2010 Shen et al. D14/138 AD
- D627,344 S * 11/2010 Chien et al. D14/341
- D628,179 S * 11/2010 Park et al. D14/138 G
- D633,066 S * 2/2011 Park et al. D14/138 AD
- D633,886 S * 3/2011 Chen D14/138 AD
- D639,261 S * 6/2011 Garnham et al. D14/138 G

- D639,767 S * 6/2011 Finney et al. D14/138 G
- D640,218 S * 6/2011 Ahn et al. D14/138 G
- D652,003 S * 1/2012 Park et al. D14/138 G

(Continued)

OTHER PUBLICATIONS

Celkon A89, announced Sep. 2012, [online], [retrieved on Nov. 19, 2012]. Retrieved from Internet ,<URL: <http://www.gsmarena.com>>.*

(Continued)

Primary Examiner — Bridget L Eland

(74) *Attorney, Agent, or Firm* — Staas & Halsey LLP

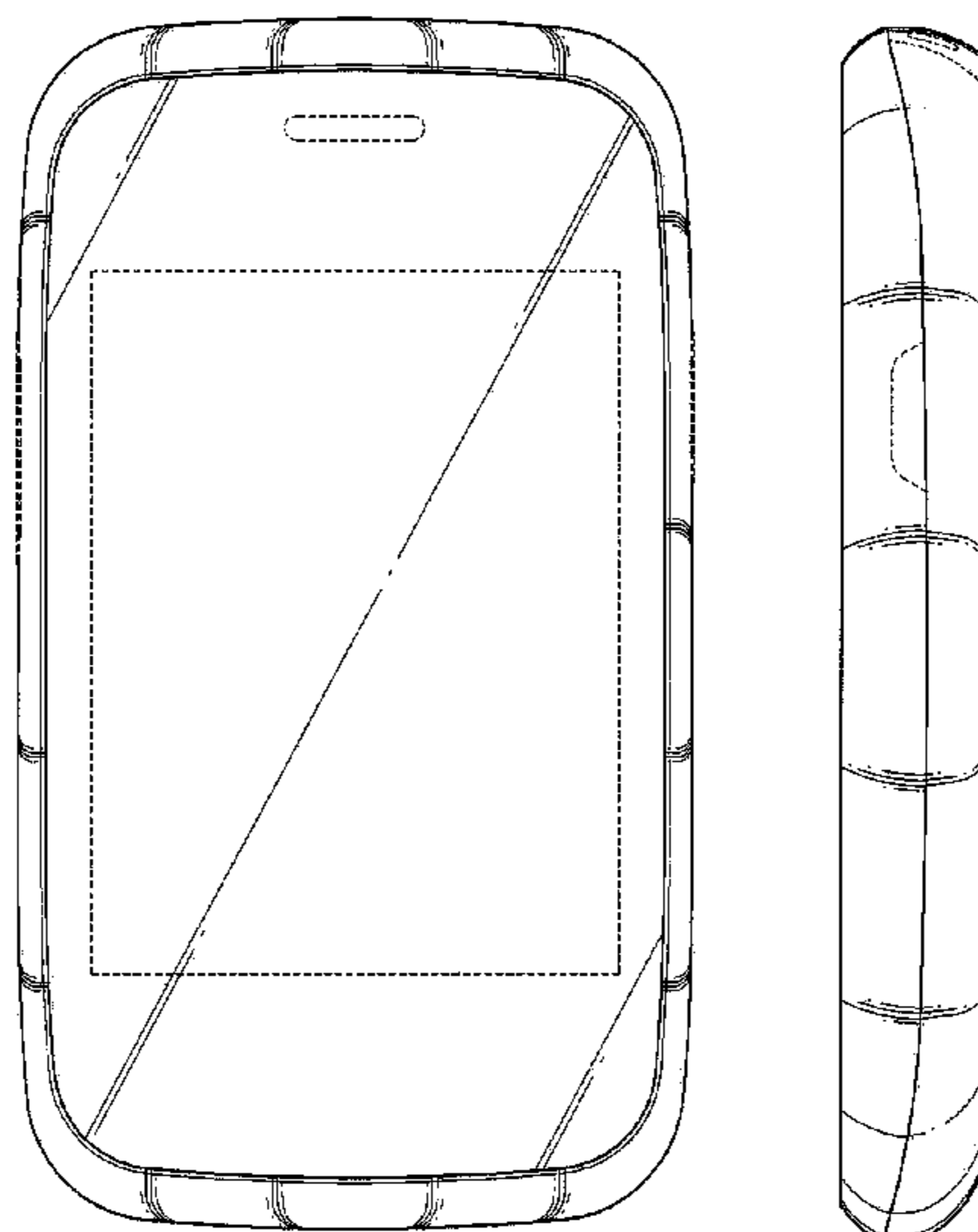
(57) **CLAIM**

The ornamental design for a mobile communication terminal, as shown and described.

DESCRIPTION

FIG. 1 is a front perspective view of a mobile communication terminal;
 FIG. 2 is a front view of the mobile communication terminal of FIG. 1;
 FIG. 3 is a rear view of the mobile communication terminal of FIG. 1;
 FIG. 4 is a left-side view of the mobile communication terminal of FIG. 1;
 FIG. 5 is a right-side view of the mobile communication terminal of FIG. 1;
 FIG. 6 is a top plan view of the mobile communication terminal of FIG. 1; and,
 FIG. 7 is a bottom plan view of the mobile communication terminal of FIG. 1.
 The broken lines immediately adjacent to the shaded areas, encompassing unshaded regions, represent the bounds of the claimed design while all other broken lines are directed to environment and are for illustrative purposes only; the broken lines form no part of the claimed design.

1 Claim, 7 Drawing Sheets



US D686,178 S

Page 2

U.S. PATENT DOCUMENTS

D652,007	S *	1/2012	Kim et al.	D14/138	G
D654,889	S *	2/2012	Kim et al.	D14/138	G
D654,899	S *	2/2012	Jung	D14/138	G
D663,278	S *	7/2012	Kim et al.	D14/138	G
8,243,021	B2 *	8/2012	Feightner et al.	345/169	
D669,052	S *	10/2012	Kim et al.	D14/138	G
2006/0093133	A1 *	5/2006	Park et al.	379/433.12	
2011/0143823	A1 *	6/2011	Holman et al.	455/575.4	
2011/0143825	A1 *	6/2011	Ahn et al.	455/575.4	

OTHER PUBLICATIONS

HTC Touch Pro2, announced Feb. 2009, [online], [retrieved on Feb. 20, 2009]. Retrieved from Internet ,<URL: <http://www.gsmarena.com>>.*

HTC Desire U, announced Jan. 2013, [online], [retrieved on Mar. 4, 2013]. Retrieved from Internet ,<URL: <http://www.gsmarena.com>>.*

Samsung M850 Instinct HD, announced Mar. 2009, [online], [retrieved on Feb. 1, 2011]. Retrieved from Internet ,<URL: <http://www.gsmarena.com>>.*

* cited by examiner

FIG. 1

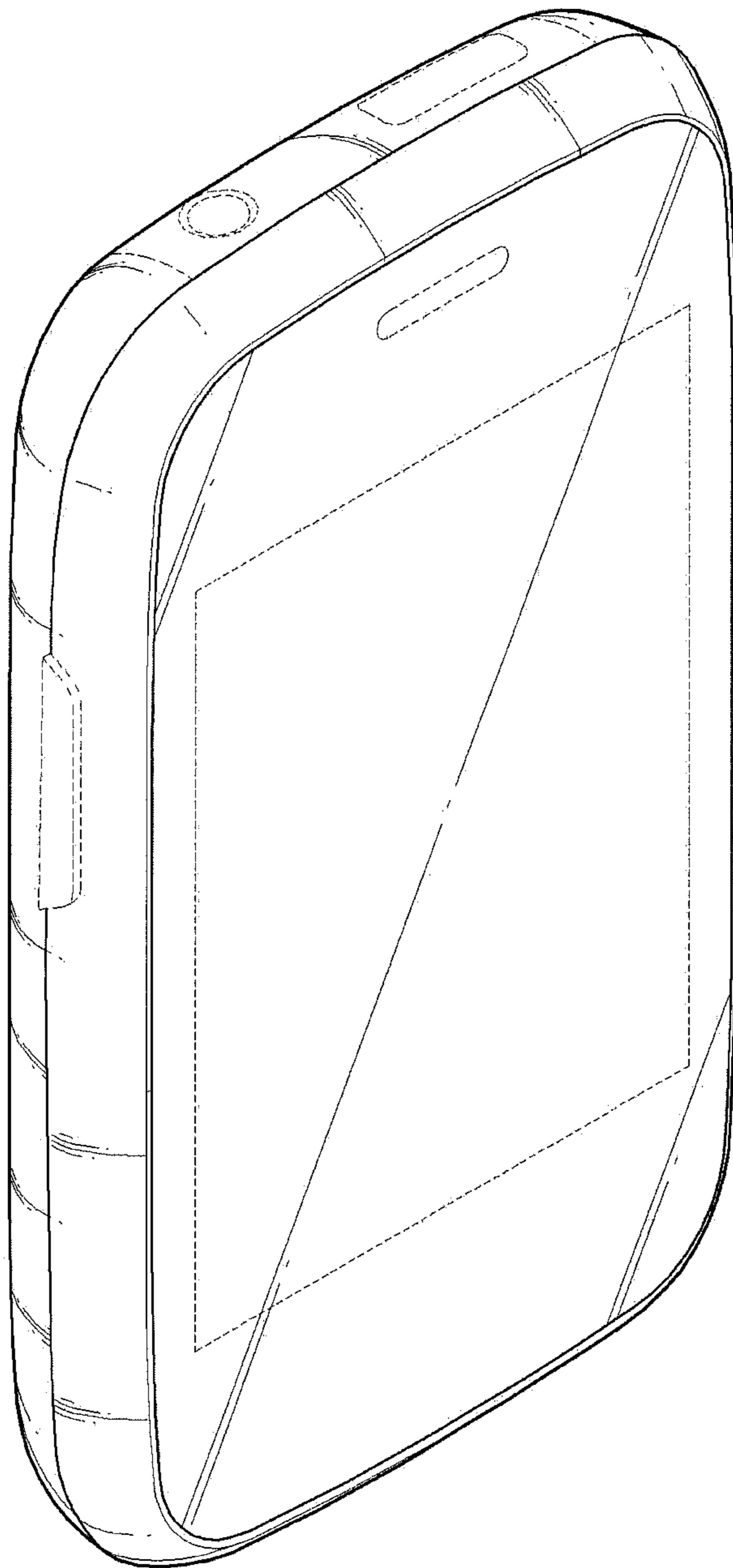


FIG. 2

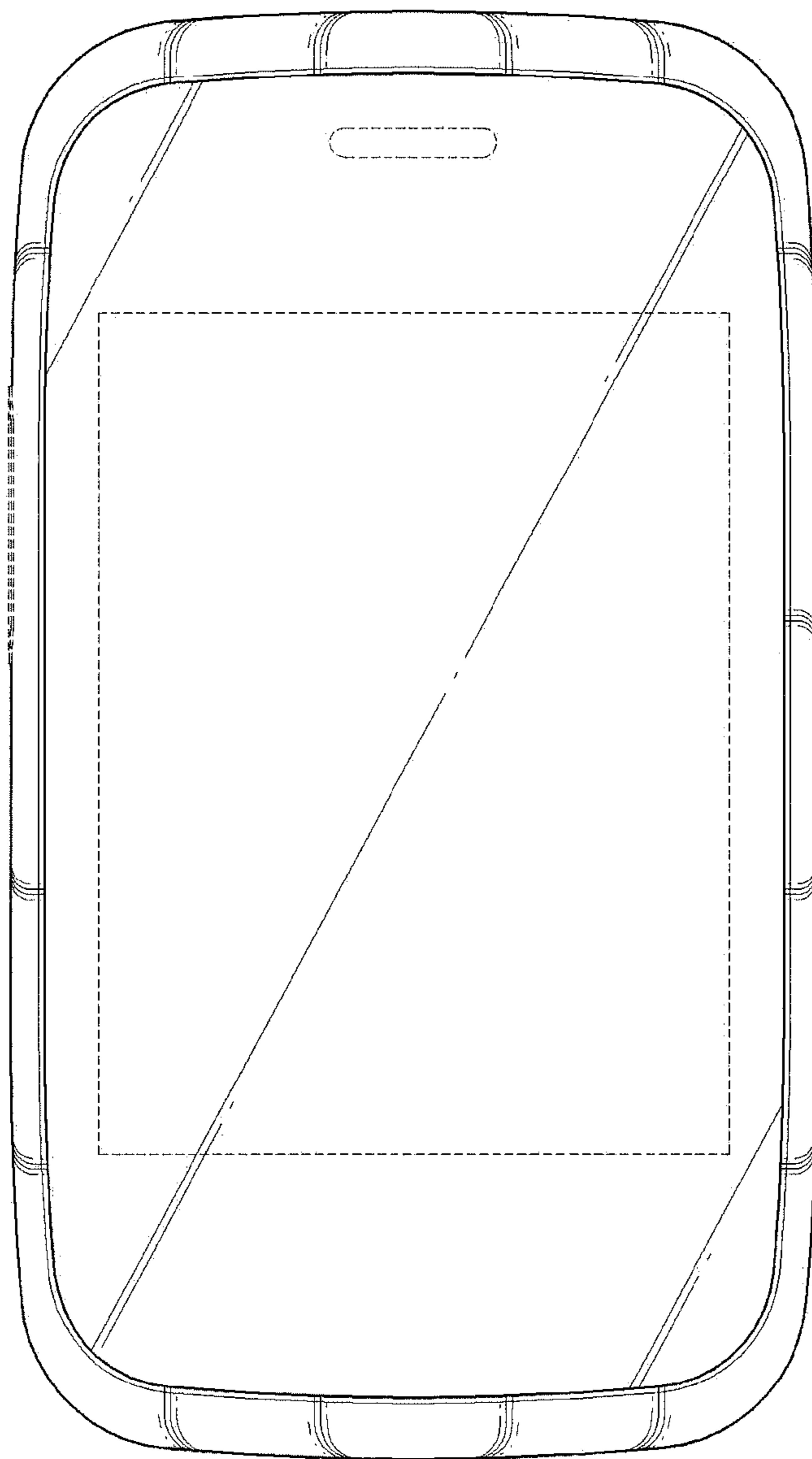


FIG. 3

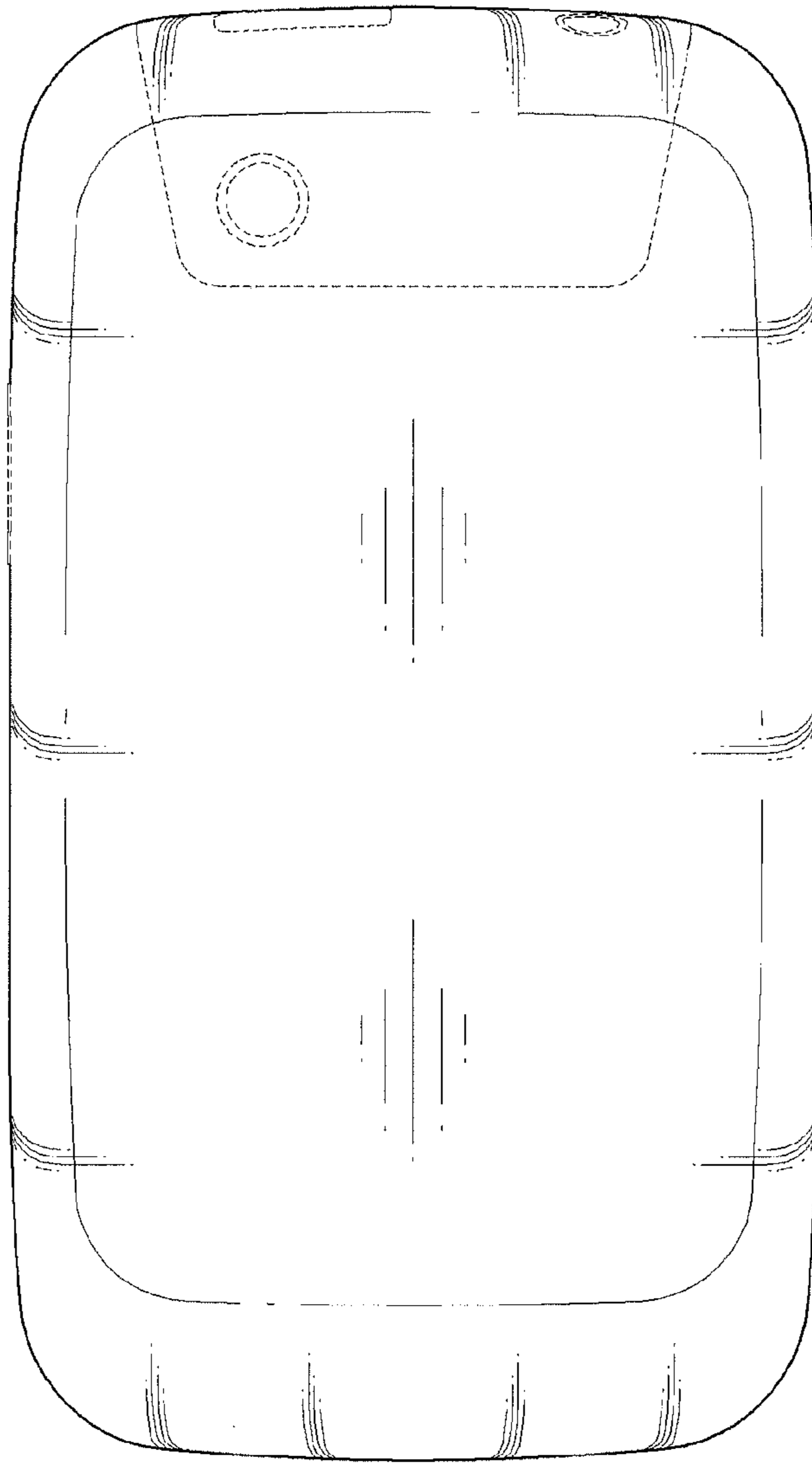


FIG. 4

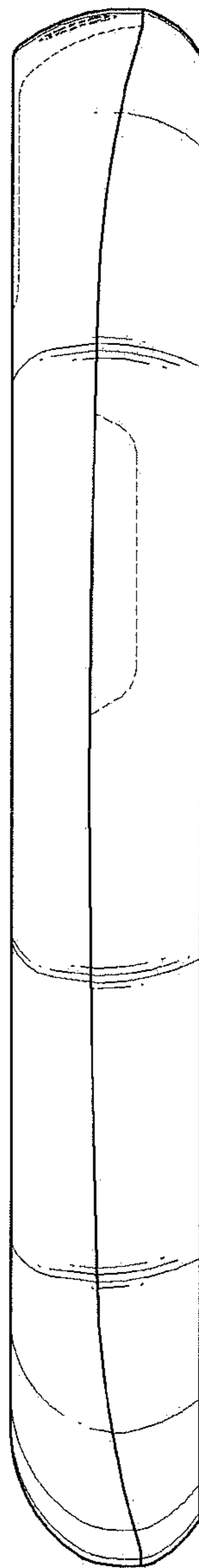


FIG. 5

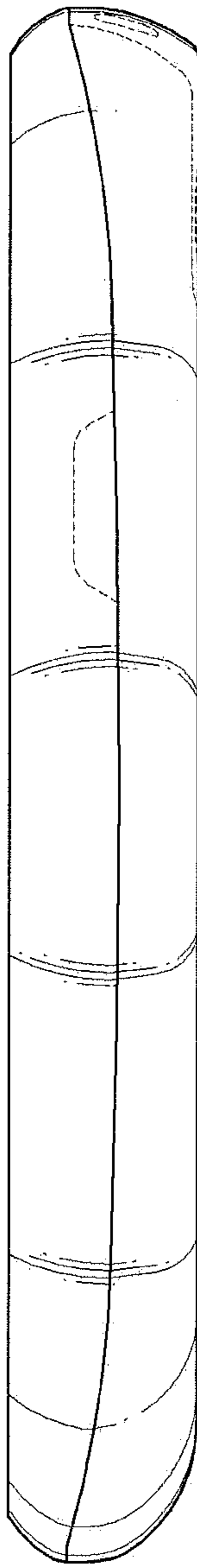


FIG. 6

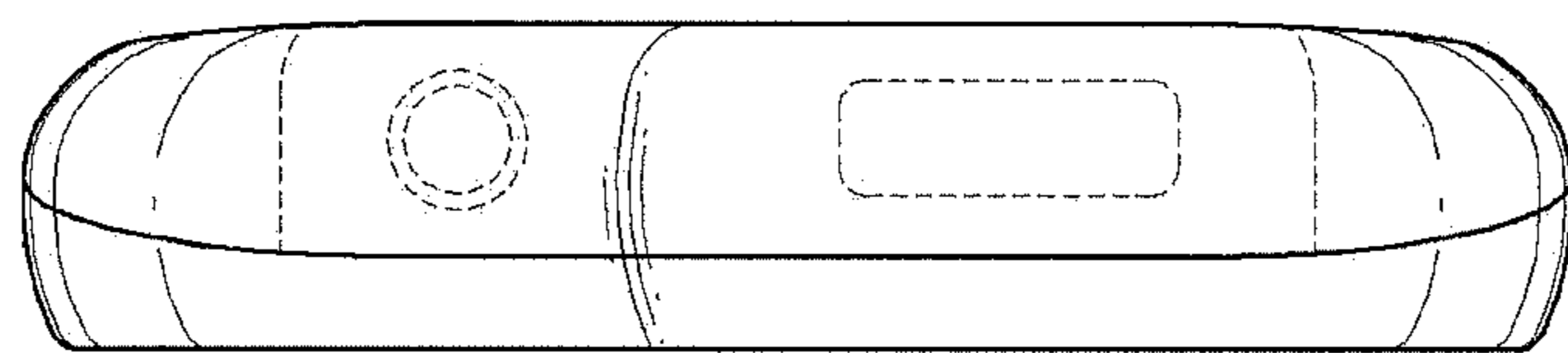


FIG. 7

