



US00D686174S

(12) **United States Design Patent**
Soyano

(10) **Patent No.:** **US D686,174 S**
(45) **Date of Patent:** **** Jul. 16, 2013**

(54) **SEMICONDUCTOR DEVICE**

(75) Inventor: **Shin Soyano**, Kanagawa (JP)
(73) Assignee: **Fuji Electric Co., Ltd**, Kanagawa (JP)
(**) Term: **14 Years**
(21) Appl. No.: **29/408,443**
(22) Filed: **Dec. 13, 2011**

(30) **Foreign Application Priority Data**

Aug. 12, 2011 (JP) 2011-018510

(51) **LOC (9) Cl.** **13-03**

(52) **U.S. Cl.**
USPC **D13/182**

(58) **Field of Classification Search**
USPC D13/110, 182; 257/690; 361/728,
361/736, 775
See application file for complete search history.

(56) **References Cited**

U.S. PATENT DOCUMENTS

D357,672	S *	4/1995	Terasawa et al.	D13/182
D389,808	S *	1/1998	Yamada et al.	D13/182
D396,450	S *	7/1998	Nishiura et al.	D13/182
6,521,983	B1 *	2/2003	Yoshimatsu et al.	257/678
D476,959	S *	7/2003	Yamada et al.	D13/182
D587,662	S *	3/2009	Soutome et al.	D13/182
D589,012	S *	3/2009	Soyano et al.	D13/182
8,107,255	B2 *	1/2012	Sakamoto et al.	361/792
D653,633	S *	2/2012	Soyano	D13/182
D653,634	S *	2/2012	Soyano	D13/182
2001/0038143	A1 *	11/2001	Sonobe et al.	257/690
2002/0093352	A1 *	7/2002	Min et al.	324/754

FOREIGN PATENT DOCUMENTS

JP 1411990 3/2011

OTHER PUBLICATIONS

JP Office Action dated Jan. 10, 2012, with English partial translation.

* cited by examiner

Primary Examiner — Selina Sikder

(74) *Attorney, Agent, or Firm* — Young & Thompson

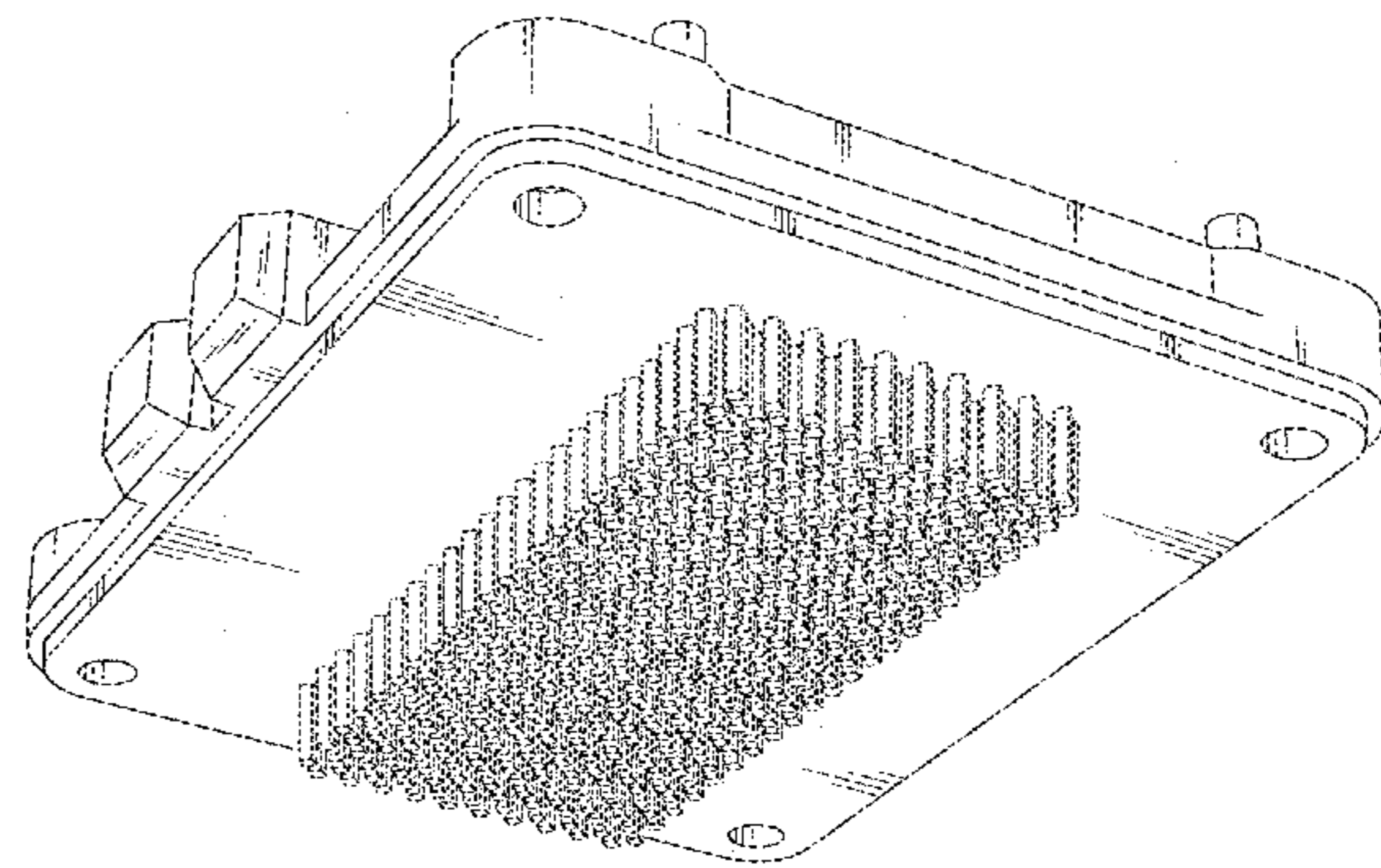
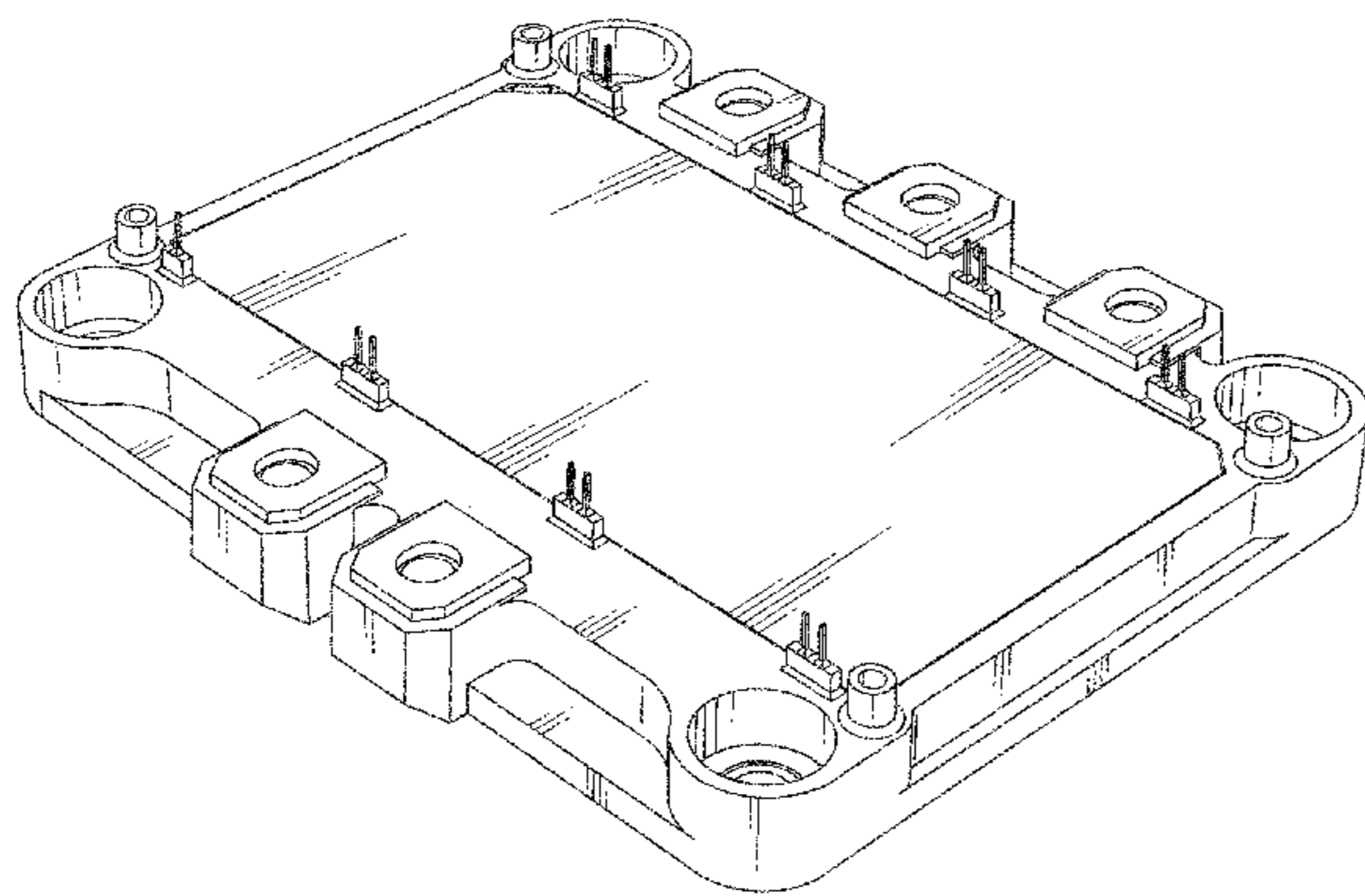
(57) **CLAIM**

The ornamental design for a semiconductor device, as shown and described.

DESCRIPTION

FIG. 1 is a first perspective view of front, bottom and right side of a semiconductor device showing our new design; FIG. 2 is a perspective view of rear, bottom and right side thereof; FIG. 3 is a second perspective view of front, bottom and right side thereof; FIG. 4 is a front view thereof; FIG. 5 is a rear view thereof; FIG. 6 is a left side view thereof; FIG. 7 is a right side view thereof; FIG. 8 is a top plan view thereof; and, FIG. 9 is a bottom view thereof. The portions of the article in broken lines are shown for illustrative purposes only and form no part of the claimed design.

1 Claim, 7 Drawing Sheets



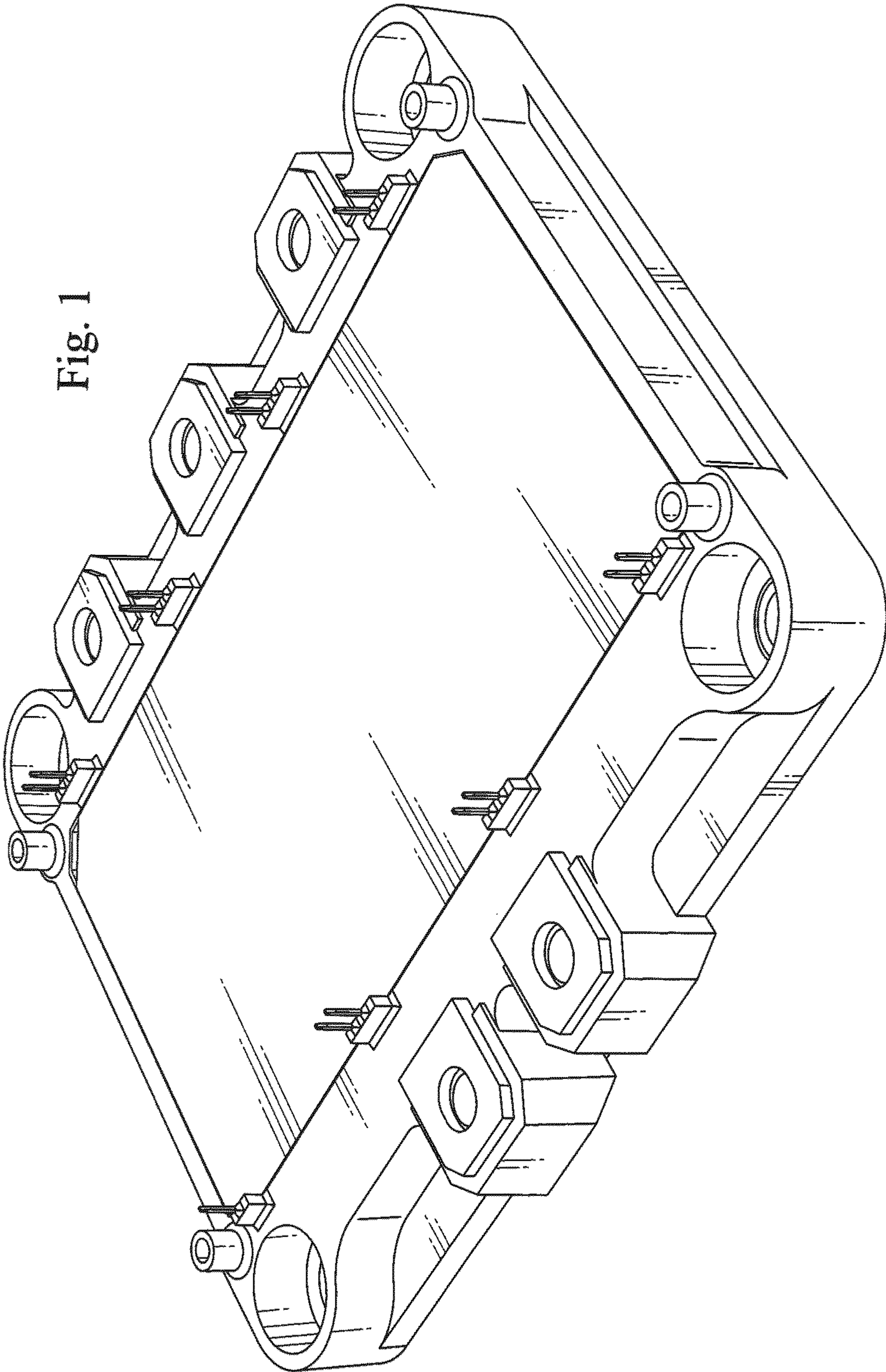


Fig. 2

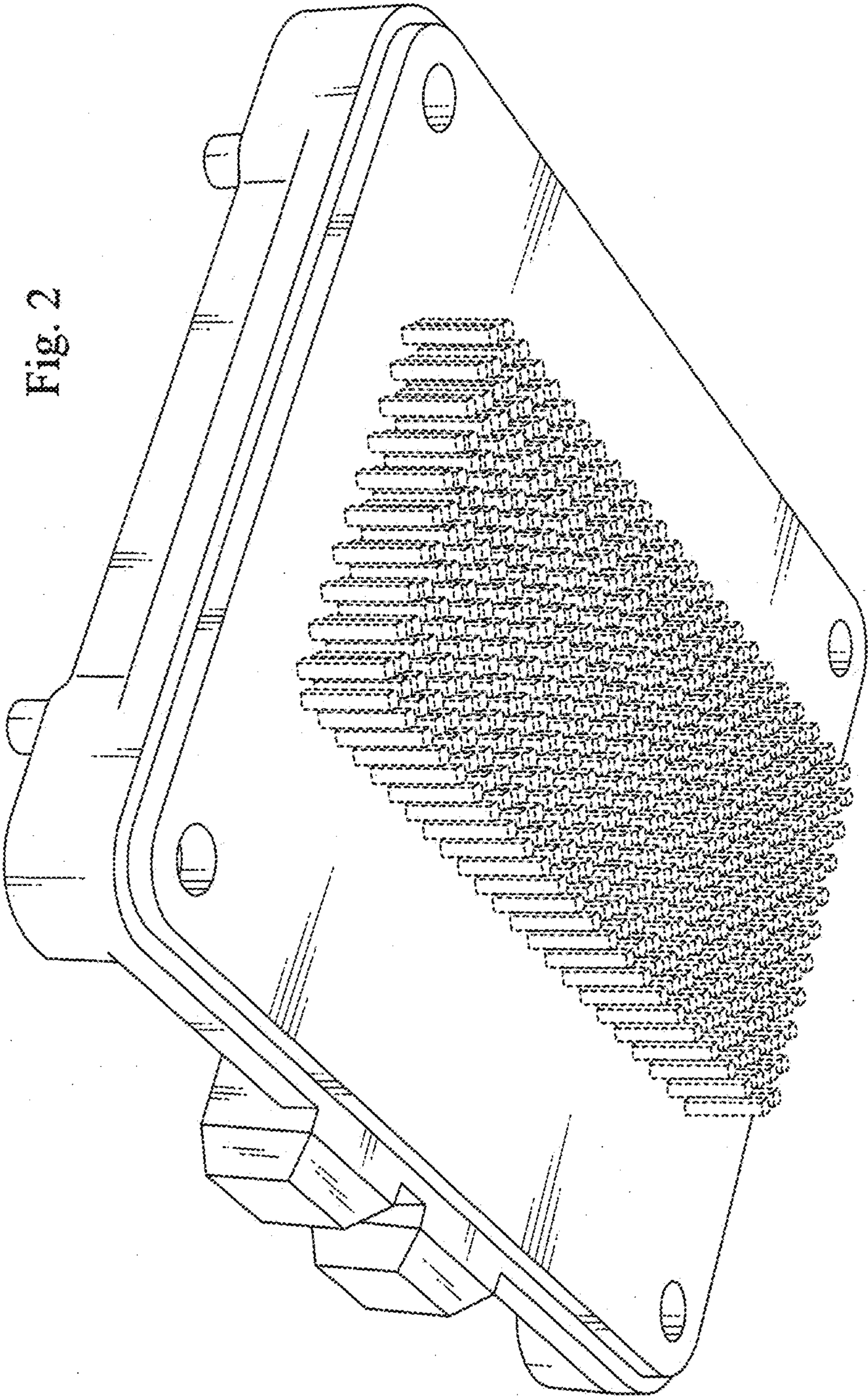


Fig. 3

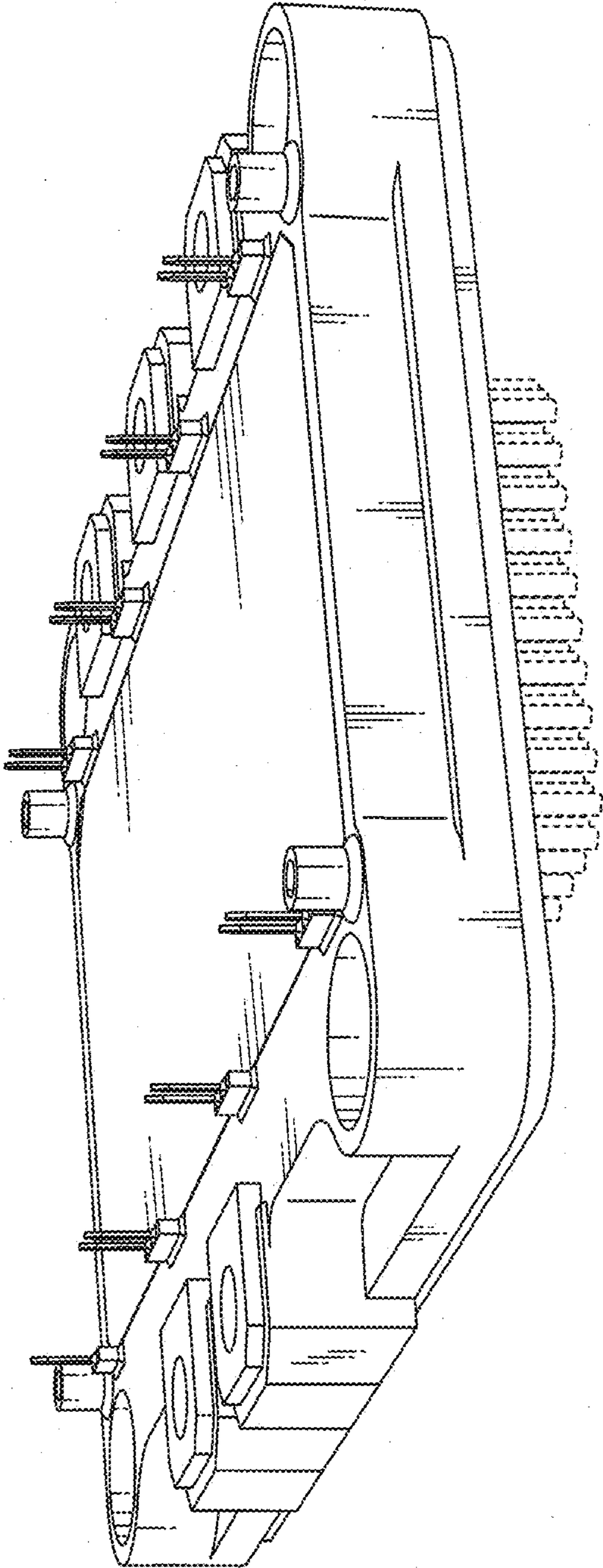


Fig. 4

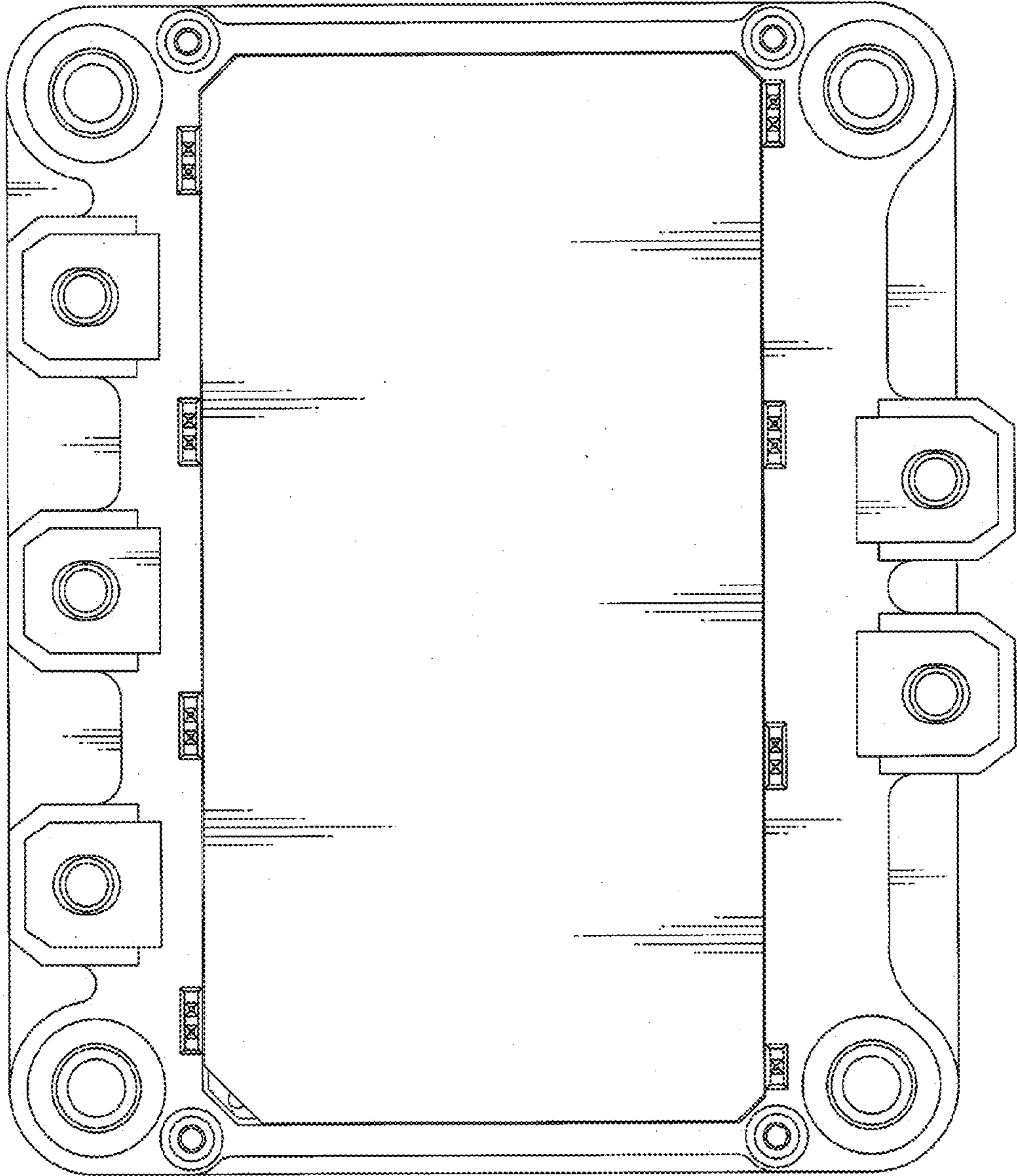


Fig. 5

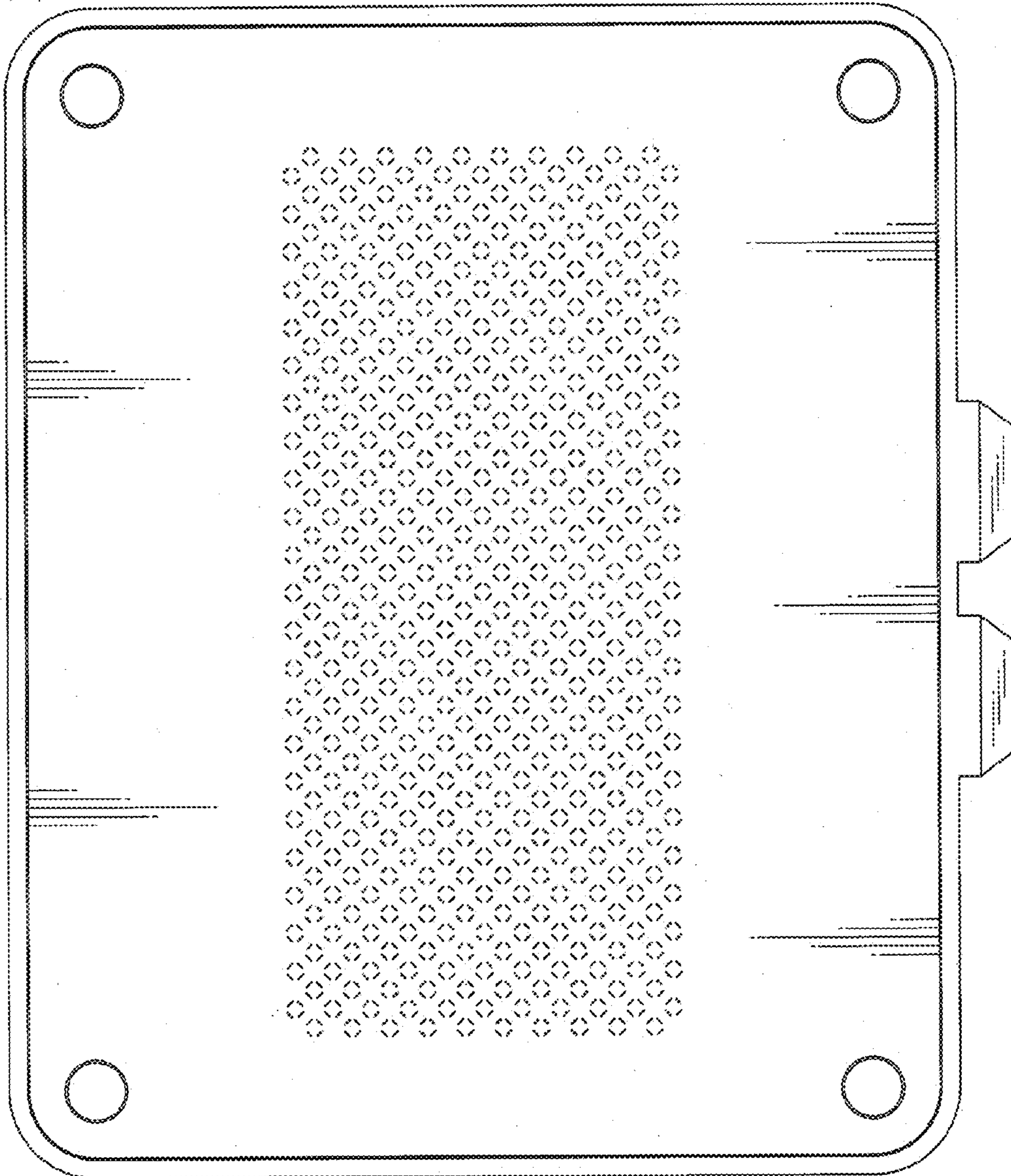


Fig. 7

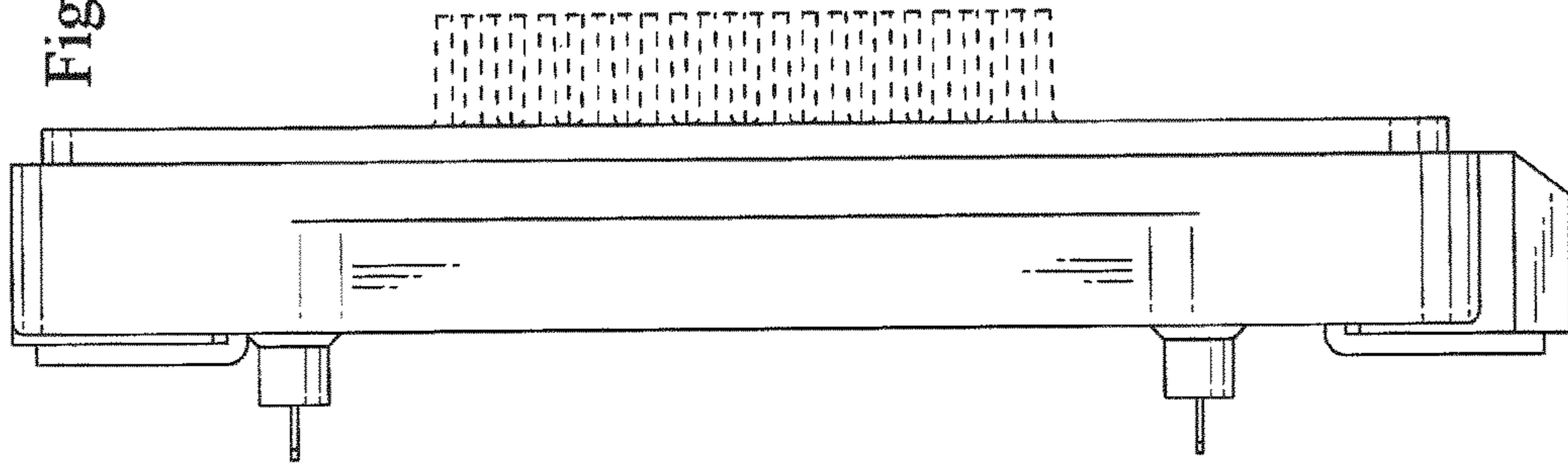


Fig. 6

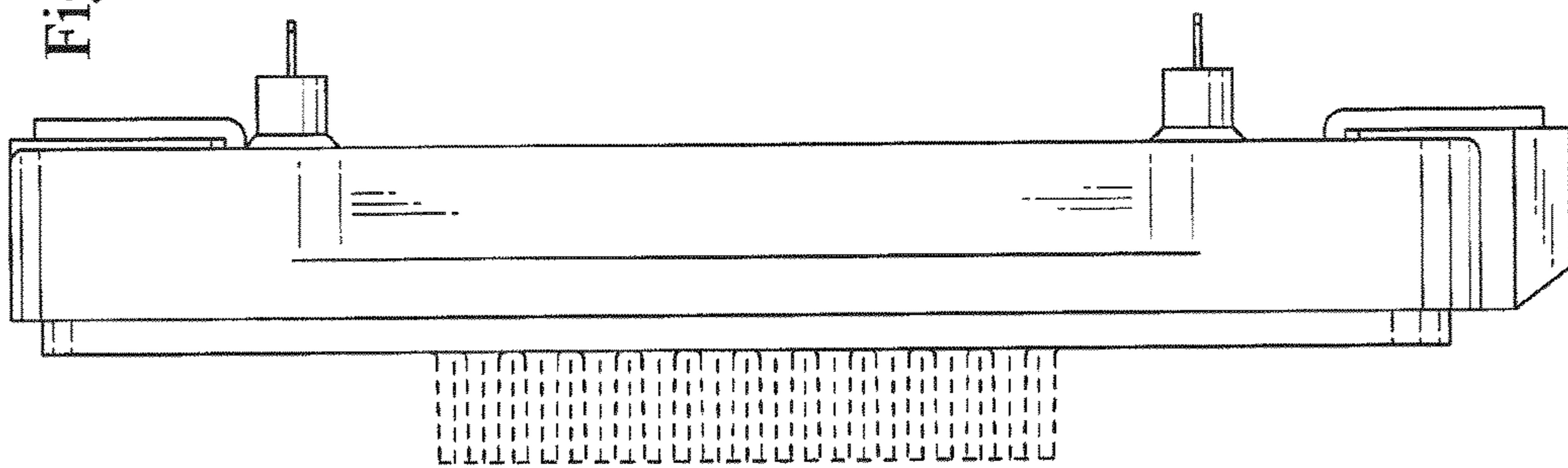


Fig. 8

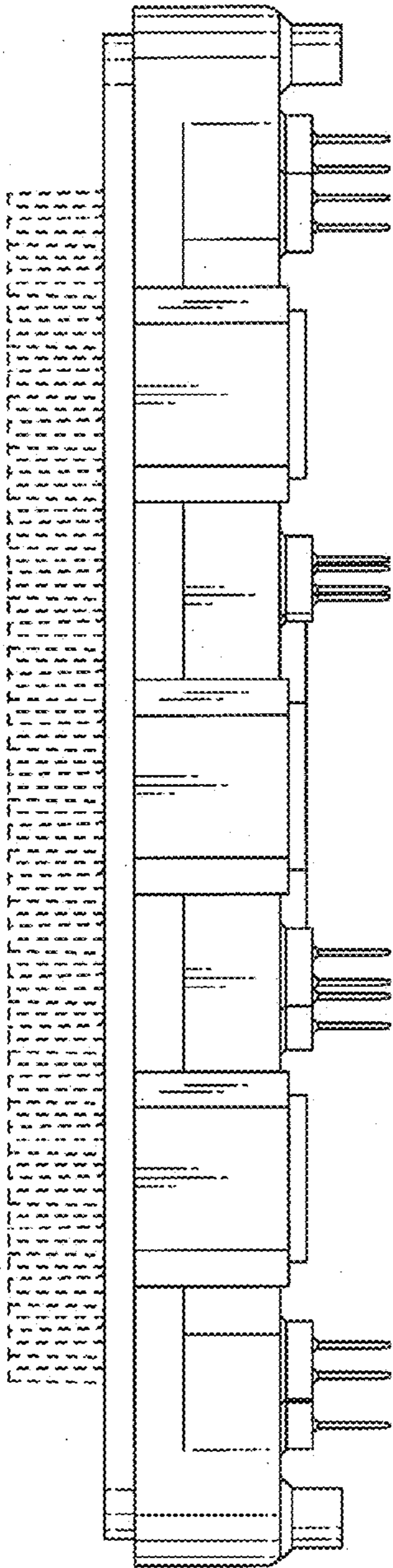


Fig. 9

