



US00D686173S

(12) **United States Design Patent**
Chou et al.

(10) **Patent No.:** **US D686,173 S**
(45) **Date of Patent:** **** Jul. 16, 2013**

- (54) **LED CHIP**
- (71) Applicant: **High Power Opto. Inc.**, Taichung (TW)
- (72) Inventors: **Yi-Chun Chou**, Taichung (TW); **Li-Ping Chou**, Taichung (TW); **Fu-Bang Chen**, Taichung (TW); **Chih-Sung Chang**, Taichung (TW)
- (73) Assignee: **High Power Opto, Inc.**, Taichung (TW)
- (**) Term: **14 Years**
- (21) Appl. No.: **29/433,799**
- (22) Filed: **Oct. 4, 2012**
- (51) **LOC (9) Cl.** **13-03**
- (52) **U.S. Cl.**
USPC **D13/180**
- (58) **Field of Classification Search**
USPC D13/180; D26/1; 257/79, 80, 81,
257/88, 89, 95, 98, 99, 100, E33.058; 313/483,
313/498, 500; 362/555, 800
See application file for complete search history.

D631,017	S	*	1/2011	Arazoe et al.	D13/180
D631,018	S	*	1/2011	Arazoe et al.	D13/180
D633,876	S	*	3/2011	Shan et al.	D13/180
8,049,242	B2	*	11/2011	Lin et al.	257/98
2006/0284191	A1	*	12/2006	Yang et al.	257/79
2010/0258837	A1	*	10/2010	Hori et al.	257/99
2010/0320498	A1	*	12/2010	Lin et al.	257/99
2011/0147784	A1	*	6/2011	Brockley et al.	257/99
2011/0278631	A1	*	11/2011	Shen et al.	257/99

* cited by examiner

Primary Examiner — Selina Sikder

(74) *Attorney, Agent, or Firm* — Muncy, Geissler, Olds & Lowe, PLLC

(57) **CLAIM**

The ornamental design for “LED chip,” as shown and described.

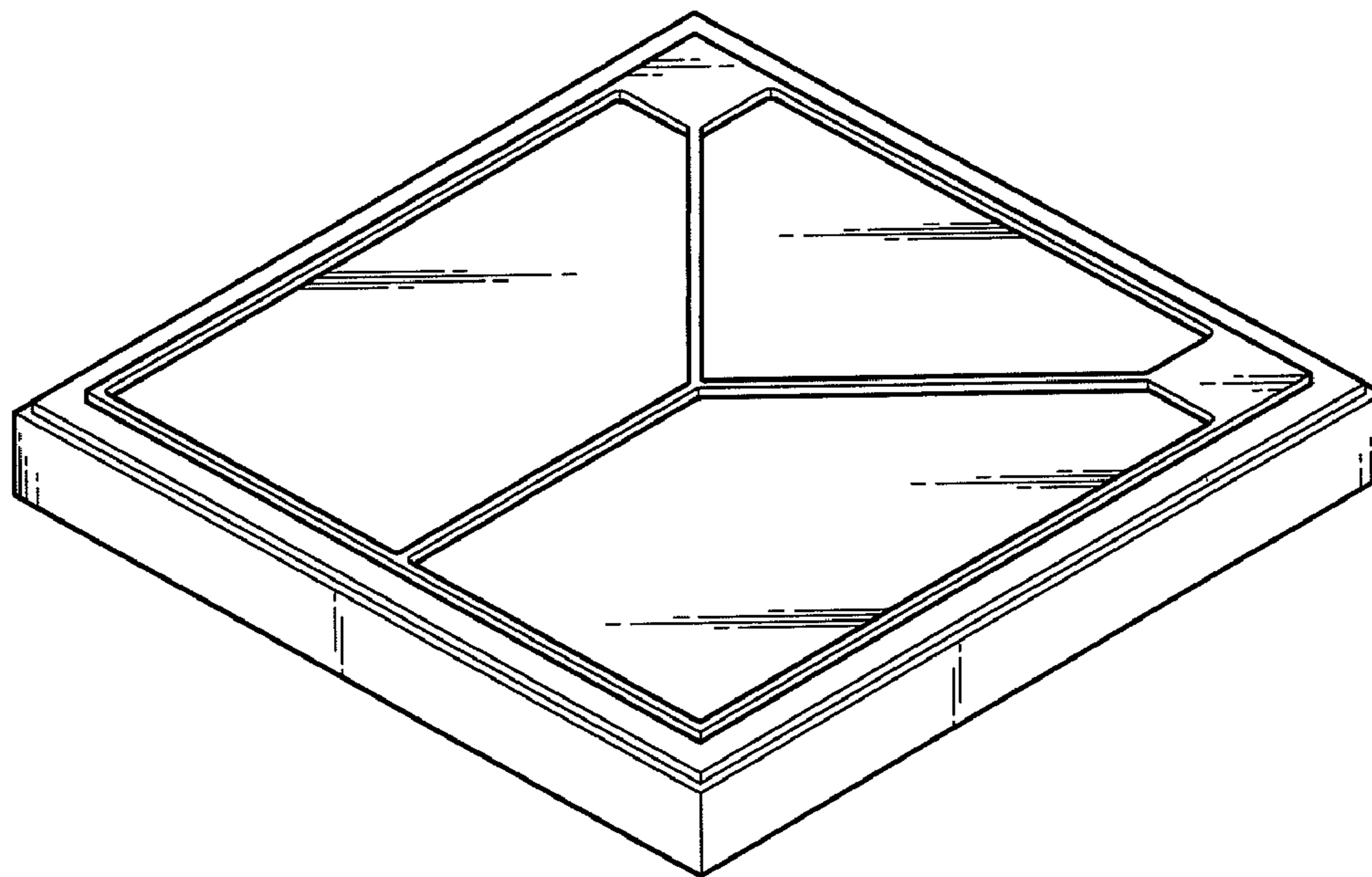
DESCRIPTION

FIG. 1 is a perspective view of “LED chip” showing my new design thereof;
 FIG. 2 is a front side elevation view thereof
 FIG. 3 is a rear perspective view hereof;
 FIG. 4 is a left side elevation view thereof;
 FIG. 5 shows that a right side view thereof;
 FIG. 6 is a top view thereof; and,
 FIG. 7 is a bottom plan view thereof.

1 Claim, 4 Drawing Sheets

- (56) **References Cited**

U.S. PATENT DOCUMENTS
D578,536 S * 10/2008 Lei et al. D14/435
D620,460 S * 7/2010 Liu D13/180
D627,747 S * 11/2010 Chu et al. D13/180



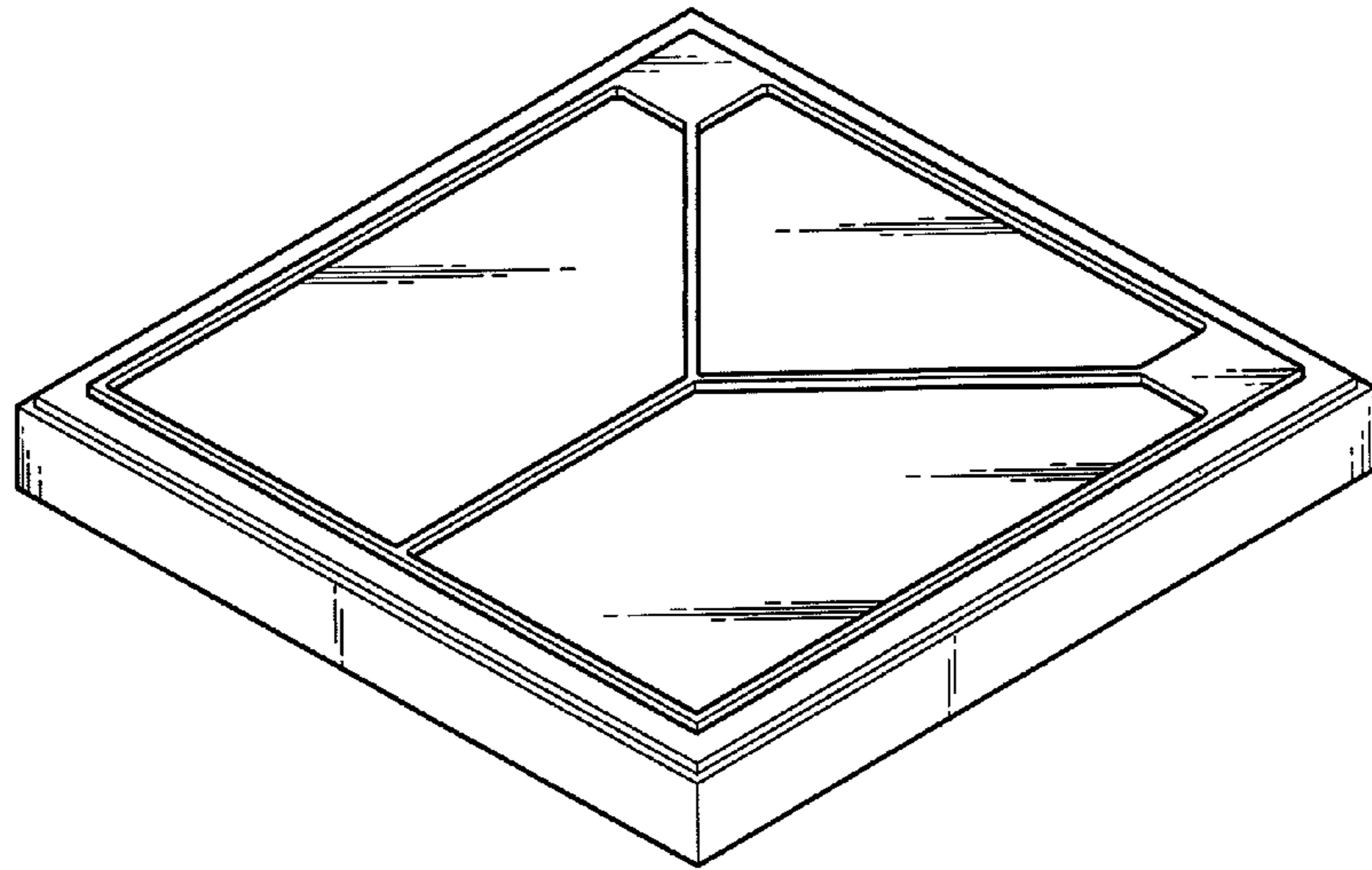


Fig . 1



Fig . 2

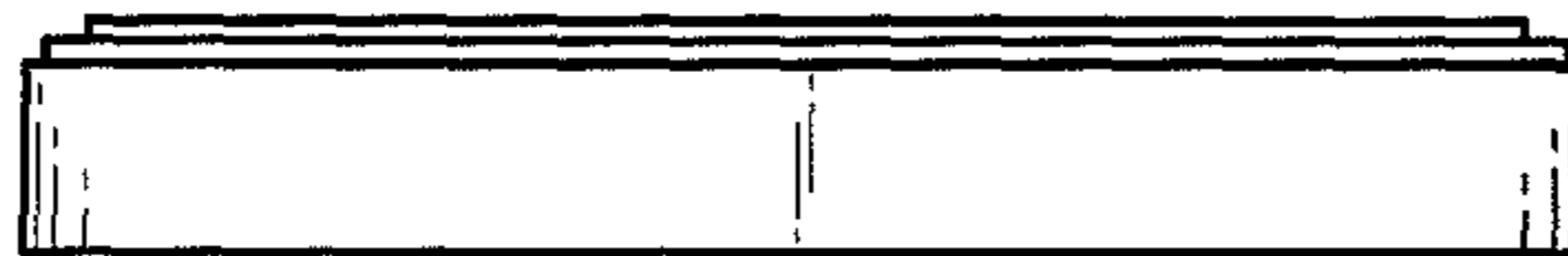


Fig . 3

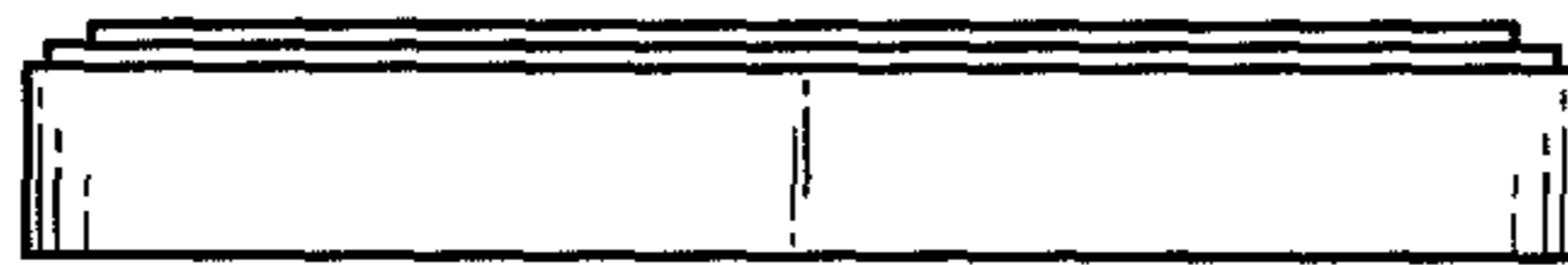


Fig . 4

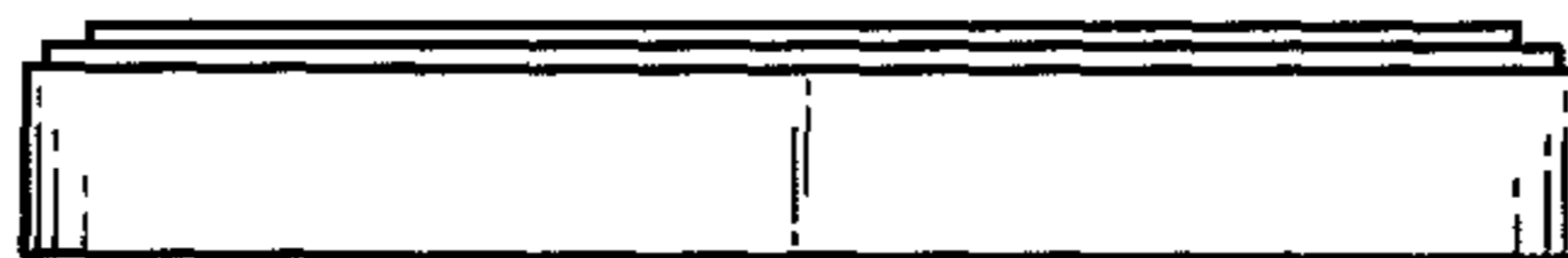


Fig . 5

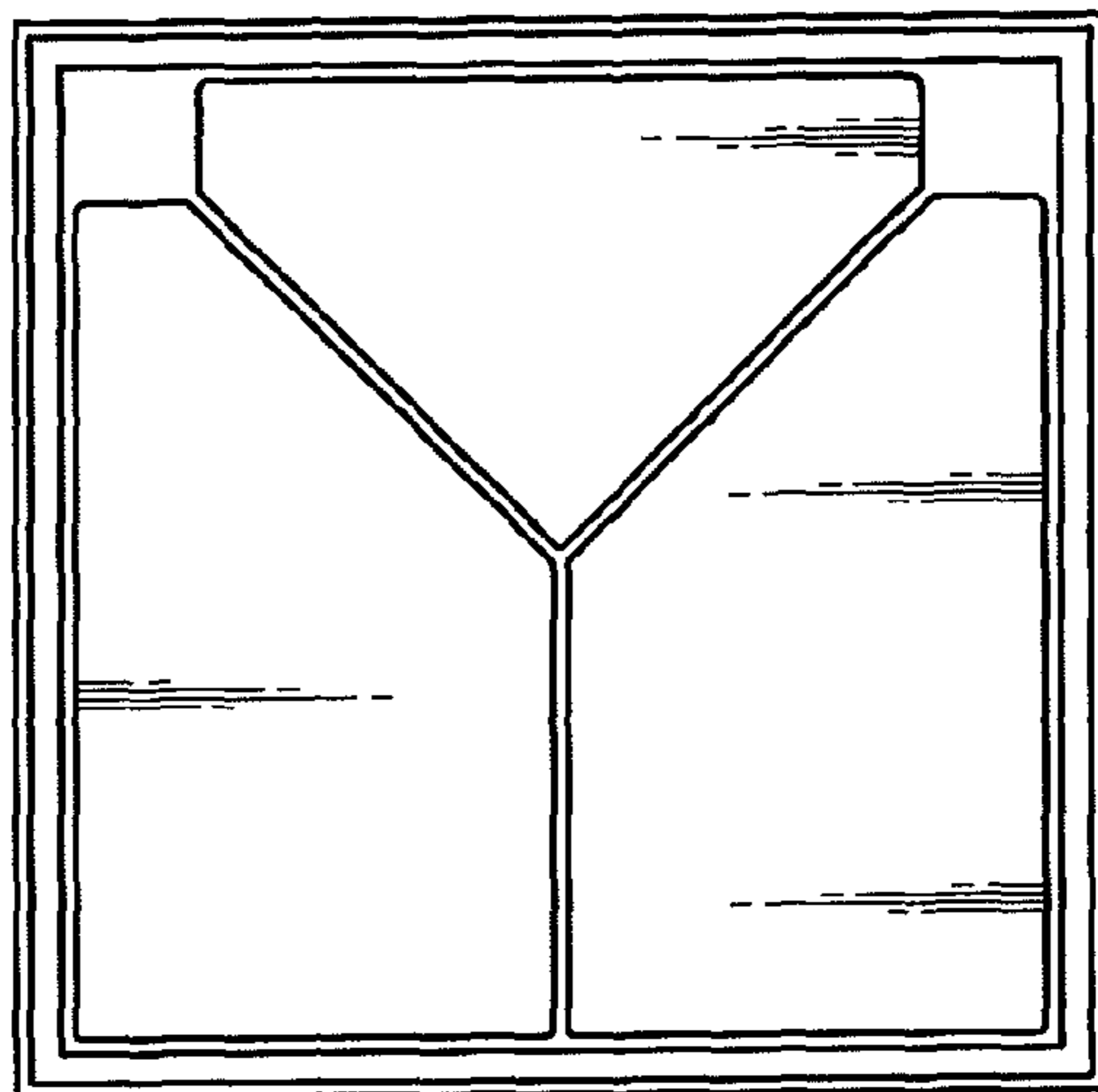


Fig . 6

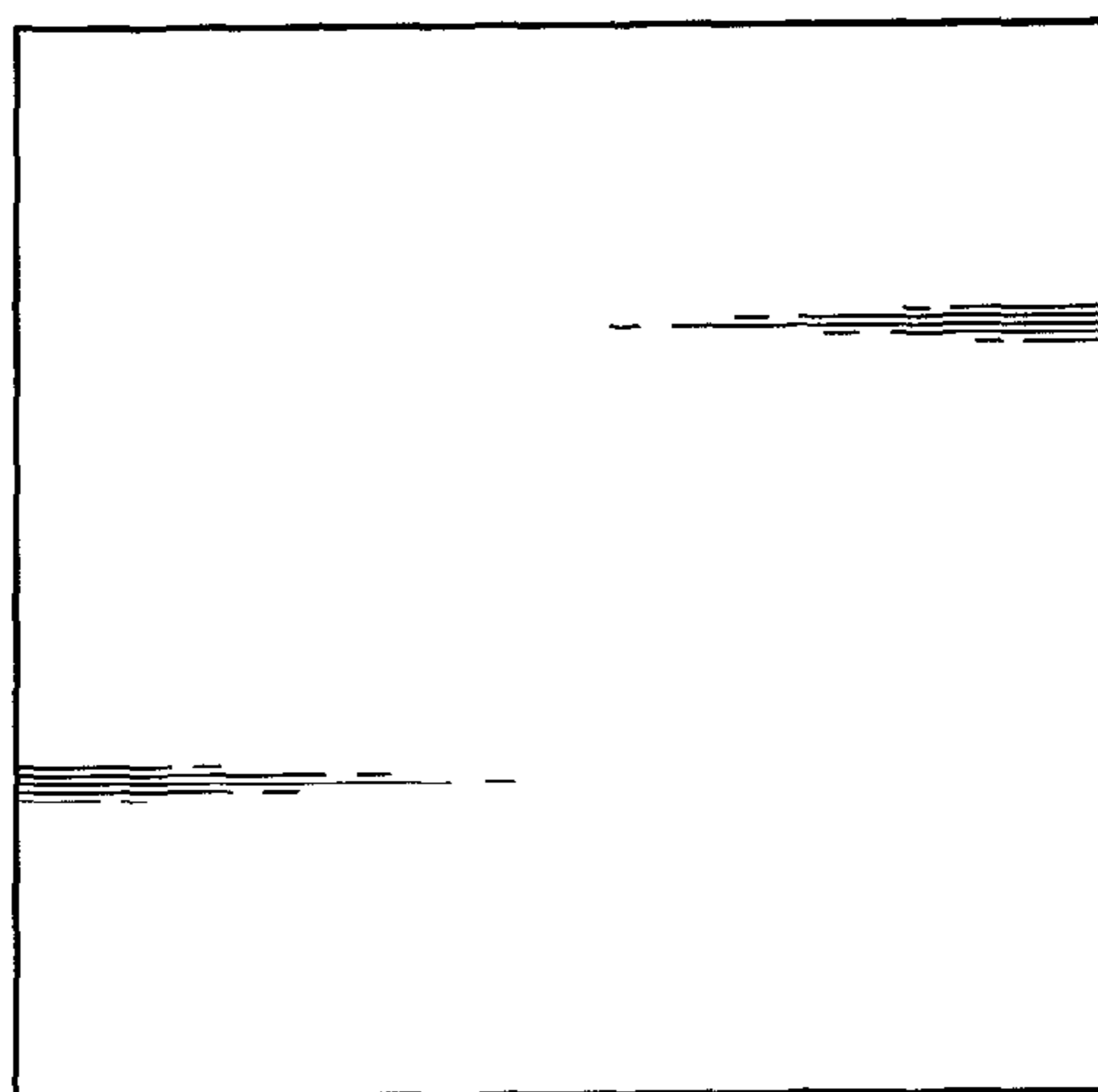


Fig . 7