



US00D686172S

(12) **United States Design Patent**  
**Wisniewski et al.**

(10) **Patent No.:** **US D686,172 S**  
(45) **Date of Patent:** **\*\* \*Jul. 16, 2013**

(54) **WALL MOUNTED BUTTON PANEL**

(75) Inventors: **Stanley Wisniewski**, Pompton Plains, NJ (US); **Doug Jacobson**, Oradell, NJ (US)

(73) Assignee: **Crestron Electronics Inc.**, Rockleigh, NJ (US)

(\*) Notice: This patent is subject to a terminal disclaimer.

(\*\*) Term: **14 Years**

(21) Appl. No.: **29/394,778**

(22) Filed: **Jun. 21, 2011**

**Related U.S. Application Data**

(63) Continuation-in-part of application No. 29/394,393, filed on Jun. 16, 2011, now Pat. No. Des. 678,223, which is a continuation-in-part of application No. 29/394,307, filed on Jun. 15, 2011, which is a continuation-in-part of application No. 29/394,237, filed on Jun. 15, 2011, which is a continuation-in-part of application No. 29/394,202, filed on Jun. 14, 2011, which is a continuation-in-part of application No. 29/394,174, filed on Jun. 14, 2011, now Pat. No. Des. 678,851, which is a continuation-in-part of application No. 29/394,069, filed on Jun. 13, 2011, now Pat. No. Des. 678,850, which is a continuation-in-part of application No. 29/393,912, filed on Jun. 10, 2011, now Pat. No. Des. 678,222, which is a continuation-in-part of application No. 29/354,992, filed on Feb. 1, 2010, now abandoned.

(51) **LOC (9) Cl.** ..... **13-03**

(52) **U.S. Cl.**  
USPC ..... **D13/174**

(58) **Field of Classification Search**  
USPC .... D13/162, 164, 171, 174; 174/66; 307/139, 307/157; 315/209 R, 224, 246, 291, 294, 315/295; 200/5 R, 5 A, 302.2, 520, 530, 293, 200/296, 308, 310, 314, 329, 341; 220/241

See application file for complete search history.

(56) **References Cited**

**U.S. PATENT DOCUMENTS**

D285,066 S 8/1986 Liss et al.  
D287,242 S 12/1986 Liss et al.

(Continued)

**OTHER PUBLICATIONS**

Crestron Electronics, Inc., Cameo Keypads Operations and Installation Guide, Feb. 2006, pp. front, cover, i, 1-8, rear cover.

(Continued)

*Primary Examiner* — Selina Sikder

(74) *Attorney, Agent, or Firm* — Crestron Electronics Inc.

(57) **CLAIM**

The ornamental design for a wall mounted button panel, as shown and described.

**DESCRIPTION**

FIG. 1 shows a front elevational view of a wall mounted button panel, with elements in dashed lines forming no part of the claimed design.

FIG. 2 shows an isometric projection of the wall mounted button panel of FIG. 1, with elements in dashed lines forming no part of the claimed design.

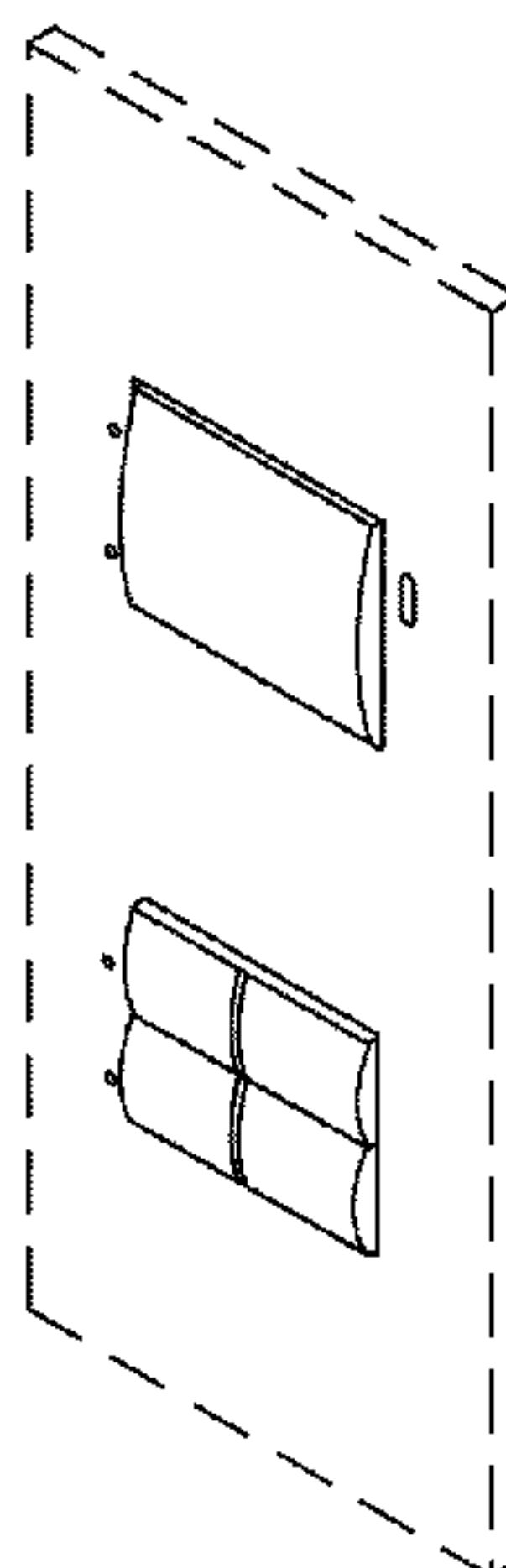
FIG. 3 shows a left side elevational view of the wall mounted button panel of FIG. 1, with elements in dashed lines forming no part of the claimed design.

FIG. 4 shows a right side elevational view of the wall mounted button panel of FIG. 1, with elements in dashed lines forming no part of the claimed design.

FIG. 5 shows a top plan view of the wall mounted button panel of FIG. 1, with elements in dashed lines forming no part of the claimed design; and,

FIG. 6 shows a bottom plan view of the wall mounted button panel of FIG. 1, with elements in dashed lines forming no part of the claimed design.

**1 Claim, 4 Drawing Sheets**



# US D686,172 S

Page 2

## U.S. PATENT DOCUMENTS

4,737,609	A *	4/1988	Yuhasz et al. ....	200/330	
4,757,168	A *	7/1988	Fujiyoshi et al. ....	200/296	
D311,382	S	10/1990	Mayo et al.		
D311,485	S	10/1990	Jacoby et al.		
D311,678	S	10/1990	Graef et al.		
D313,738	S	1/1991	Mayo et al.		
5,036,168	A *	7/1991	Kikuchi et al. ....	200/5 R	
D319,429	S	8/1991	D'Aleo et al.		
D327,255	S	6/1992	D'Aleo et al.		
D336,744	S	6/1993	Kahn et al.		
D344,264	S	2/1994	D'Aleo et al.		
D353,798	S	12/1994	Bryde et al.		
5,608,196	A	3/1997	Hall et al.		
D389,461	S	1/1998	Mayo et al.		
D389,805	S	1/1998	Mayo et al.		
D395,037	S	6/1998	Mayo et al.		
D404,013	S	1/1999	Mayo et al.		
D412,315	S	7/1999	Mayo et al.		
D421,246	S	2/2000	Mayo et al.		
D422,567	S	4/2000	Mayo et al.		
D428,855	S	8/2000	Mayo et al.		
6,120,262	A	9/2000	McDonough et al.		
D436,930	S	1/2001	Butler		
D437,585	S	2/2001	Mayo et al.		
D437,834	S	2/2001	Mayo et al.		
D441,723	S	5/2001	Mayo et al.		
D442,558	S	5/2001	Mayo et al.		
D450,043	S	11/2001	Mosebrook		
D453,742	S	2/2002	Butler et al.		
D456,783	S	5/2002	Mayo et al.		
D461,782	S	8/2002	Butler et al.		
D465,460	S	11/2002	Mayo et al.		
D466,090	S	11/2002	Bennett		
D466,091	S	11/2002	Bennett		
D466,484	S	12/2002	Bennett		
6,545,434	B2	4/2003	Sembhi et al.		
D475,024	S	5/2003	Bennett		
D475,025	S *	5/2003	Bennett et al. ....	D13/164	
D490,061	S	5/2004	Bennett		
D510,074	S	9/2005	Larson et al.		
D516,041	S	2/2006	Hobart et al.		
D519,939	S *	5/2006	Hedderich et al. ....	D13/164	
D535,950	S	1/2007	Alker et al.		
D538,238	S	3/2007	Alker et al.		
D539,758	S	4/2007	Blair et al.		
D542,226	S	5/2007	Spira		
D542,227	S	5/2007	Larson et al.		
D542,229	S	5/2007	Larson et al.		
D546,294	S	7/2007	Mayo et al.		
D546,776	S	7/2007	Mierta et al.		
D547,733	S	7/2007	Mayo et al.		
D547,734	S	7/2007	Mayo et al.		
D550,163	S	9/2007	Mayo et al.		
D550,164	S	9/2007	Mayo et al.		
D550,165	S	9/2007	Mayo et al.		
D550,166	S	9/2007	Mayo et al.		
D551,177	S	9/2007	Larson et al.		
D551,178	S	9/2007	Mayo et al.		
D551,179	S	9/2007	Mayo et al.		
D551,630	S	9/2007	Larson et al.		
D551,631	S	9/2007	Mayo et al.		
D552,042	S	10/2007	Mayo et al.		
D557,662	S	12/2007	Spira		
D557,664	S	12/2007	Hewson et al.		
D557,665	S	12/2007	Hewson et al.		
D572,664	S	7/2008	Hollner et al.		
D572,665	S	7/2008	Hollner et al.		
D572,666	S	7/2008	Biery et al.		
D573,546	S	7/2008	Hollner		
D573,956	S	7/2008	Hollner et al.		
D574,787	S	8/2008	Hollner		
D576,958	S	9/2008	Hollner		
D580,881	S	11/2008	Hollner		
D580,882	S	11/2008	Hollner		
D580,883	S	11/2008	Hollner		
D580,884	S	11/2008	Hollner		
D585,840	S	2/2009	Hollner		
D585,841	S	2/2009	Hollner		
D586,760	S	2/2009	Hollner et al.		
D588,070	S	3/2009	Hollner et al.		
D588,071	S	3/2009	Hollner et al.		
D588,072	S	3/2009	Hollner et al.		
D588,073	S	3/2009	Hollner		
D588,074	S	3/2009	Hollner		
D588,075	S	3/2009	Hollner		
D588,553	S	3/2009	Hollner et al.		
D595,663	S	7/2009	Hollner		
D595,665	S	7/2009	Hollner		
D595,666	S	7/2009	Hollner		
D596,140	S	7/2009	Hollner		
D604,743	S	11/2009	Altonen et al.		
D612,400	S	3/2010	Altonen et al.		
D613,305	S	4/2010	Altonen et al.		
D622,673	S *	8/2010	Maurer et al. ....	D13/162	
7,796,057	B2	9/2010	Swatsky et al.		
D624,881	S	10/2010	Altonen et al.		
D624,882	S	10/2010	Altonen et al.		
D625,273	S	10/2010	Felegy et al.		
D633,448	S	3/2011	Biery et al.		
D651,571	S *	1/2012	Feldstein et al. ....	D13/164	
D651,572	S *	1/2012	Feldstein et al. ....	D13/164	
D651,573	S *	1/2012	Feldstein et al. ....	D13/164	
D651,574	S *	1/2012	Feldstein et al. ....	D13/164	
D651,575	S *	1/2012	Feldstein et al. ....	D13/164	
D651,576	S *	1/2012	Feldstein et al. ....	D13/164	
D651,577	S *	1/2012	Feldstein et al. ....	D13/164	
D651,578	S *	1/2012	Feldstein et al. ....	D13/164	
D651,579	S *	1/2012	Feldstein et al. ....	D13/164	
D651,580	S *	1/2012	Feldstein et al. ....	D13/164	
D651,983	S *	1/2012	Feldstein et al. ....	D13/164	
D651,984	S *	1/2012	Feldstein et al. ....	D13/164	
D651,985	S *	1/2012	Feldstein et al. ....	D13/164	
D651,986	S *	1/2012	Feldstein et al. ....	D13/164	
D652,805	S *	1/2012	Feldstein et al. ....	D13/164	
D652,806	S *	1/2012	Feldstein et al. ....	D13/164	
D653,220	S *	1/2012	Feldstein et al. ....	D13/164	
D657,319	S *	4/2012	Feldstein et al. ....	D13/164	
8,149,591	B2 *	4/2012	Feldstein et al. ....	361/810	
8,289,192	B2 *	10/2012	O'Donnell .....	341/22	
8,289,716	B2 *	10/2012	Patel et al. ....	361/728	
2002/0060530	A1	5/2002	Sembhi et al.		
2005/0284738	A1	12/2005	Altonen et al.		
2008/0111501	A1 *	5/2008	Dobbins et al. ....	315/294	
2008/0237010	A1	10/2008	Patel et al.		
2010/0214756	A1	8/2010	Feldstein		

## OTHER PUBLICATIONS

Exhibit A—*Lutron Electronics v. Crestron Electronics* CV 2:09-cv-07, Third Amended Complaint.

\* cited by examiner

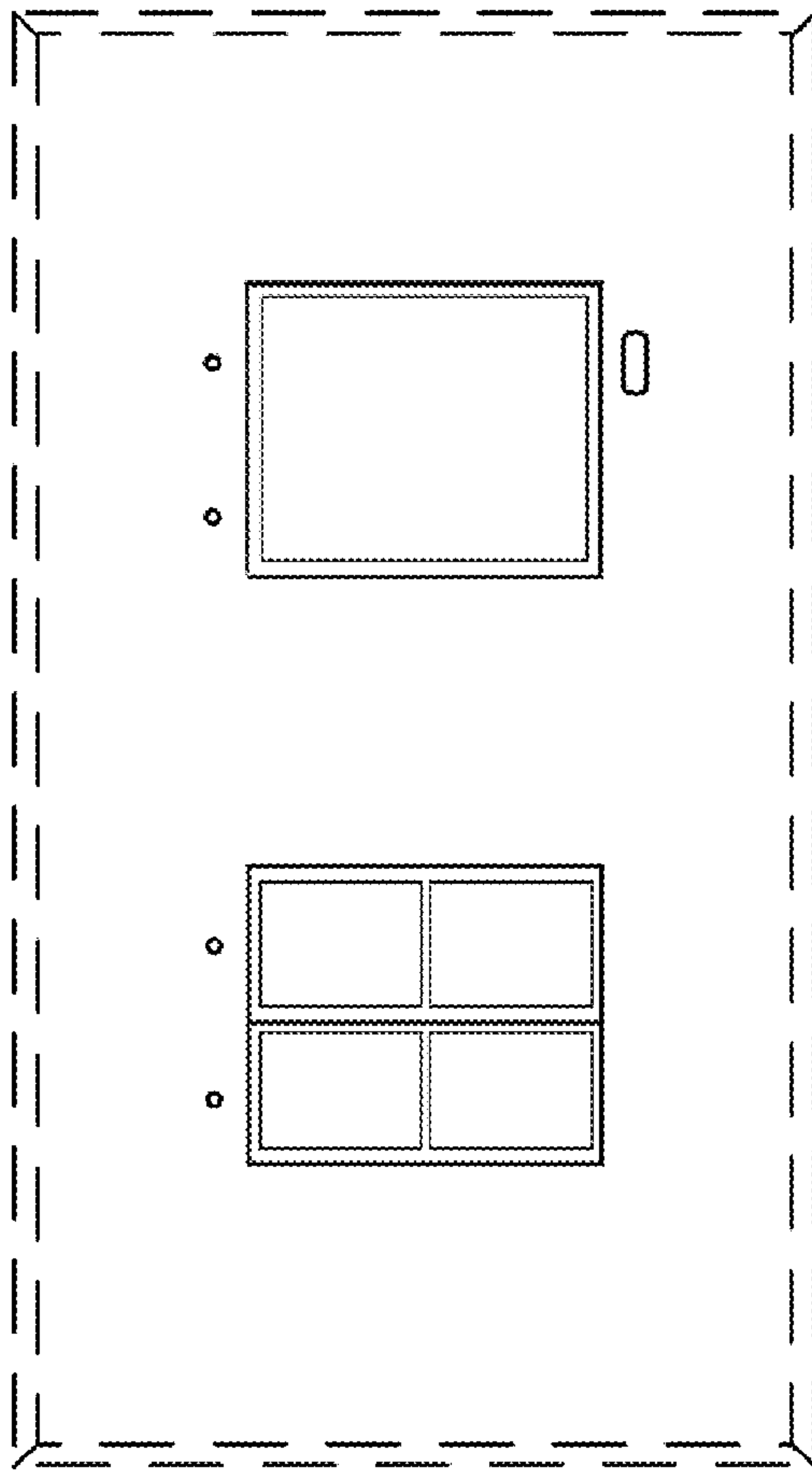


FIG. 1



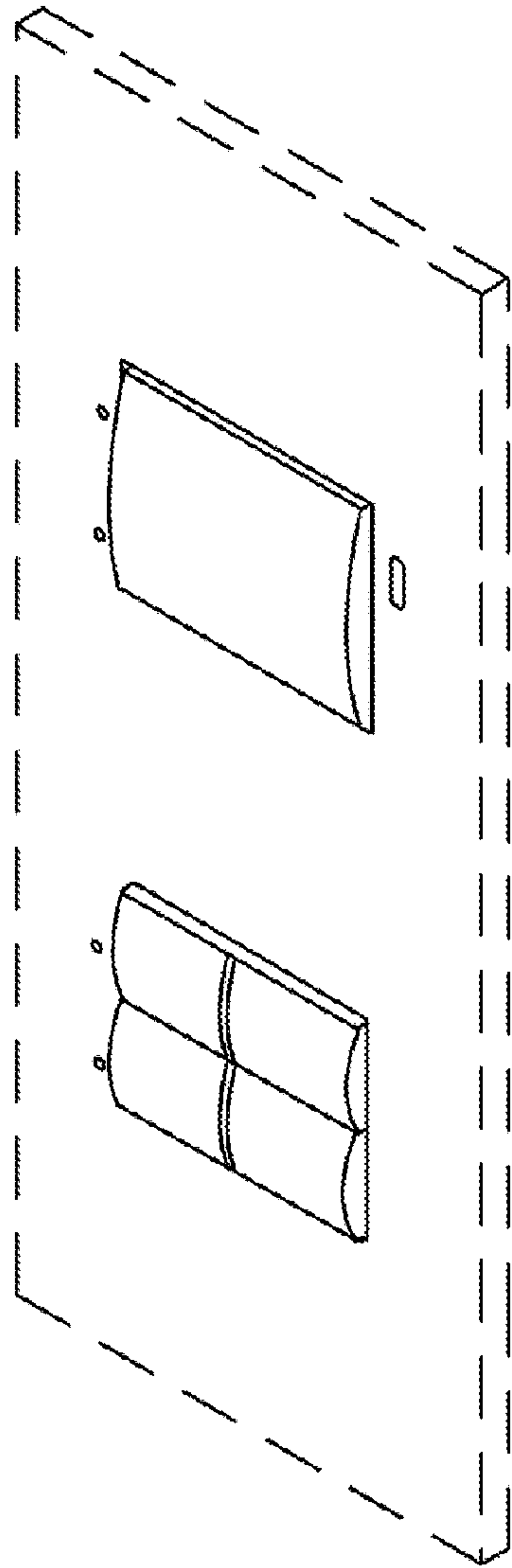


FIG. 2

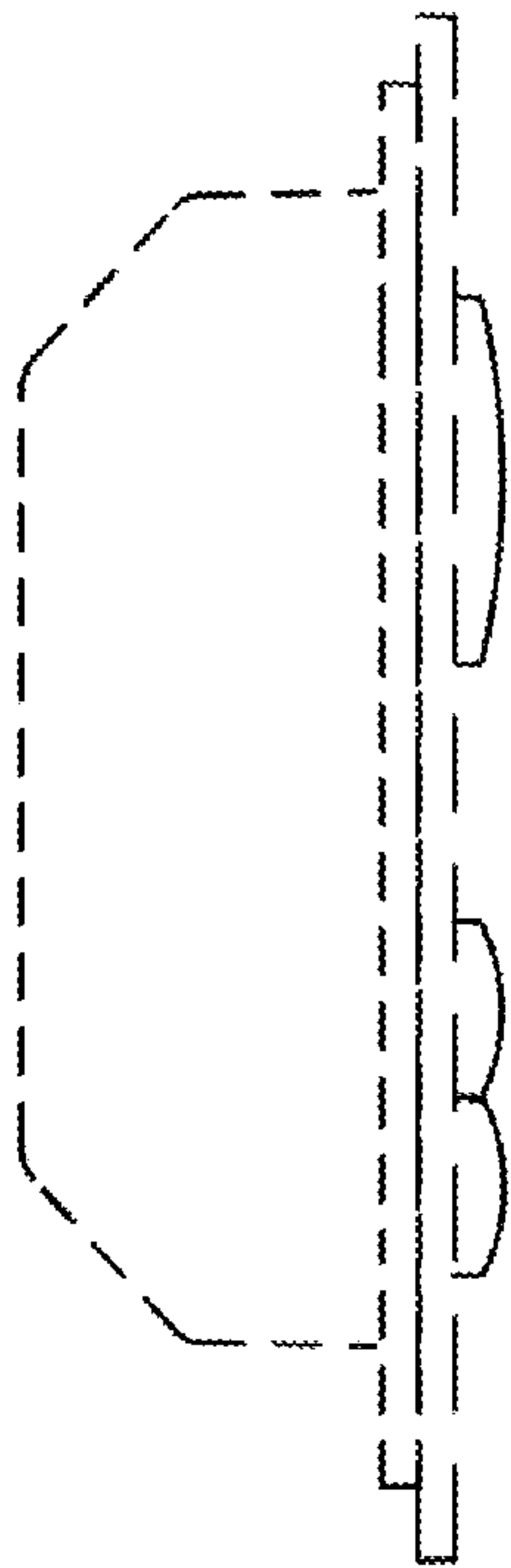


FIG. 3

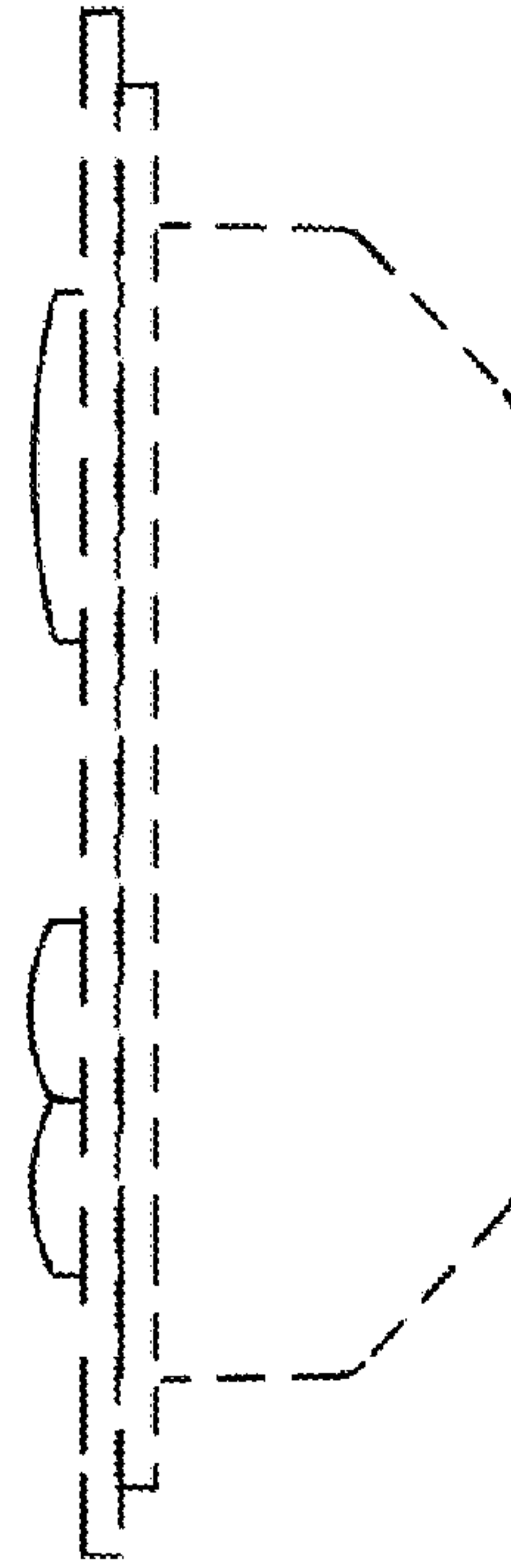


FIG. 4

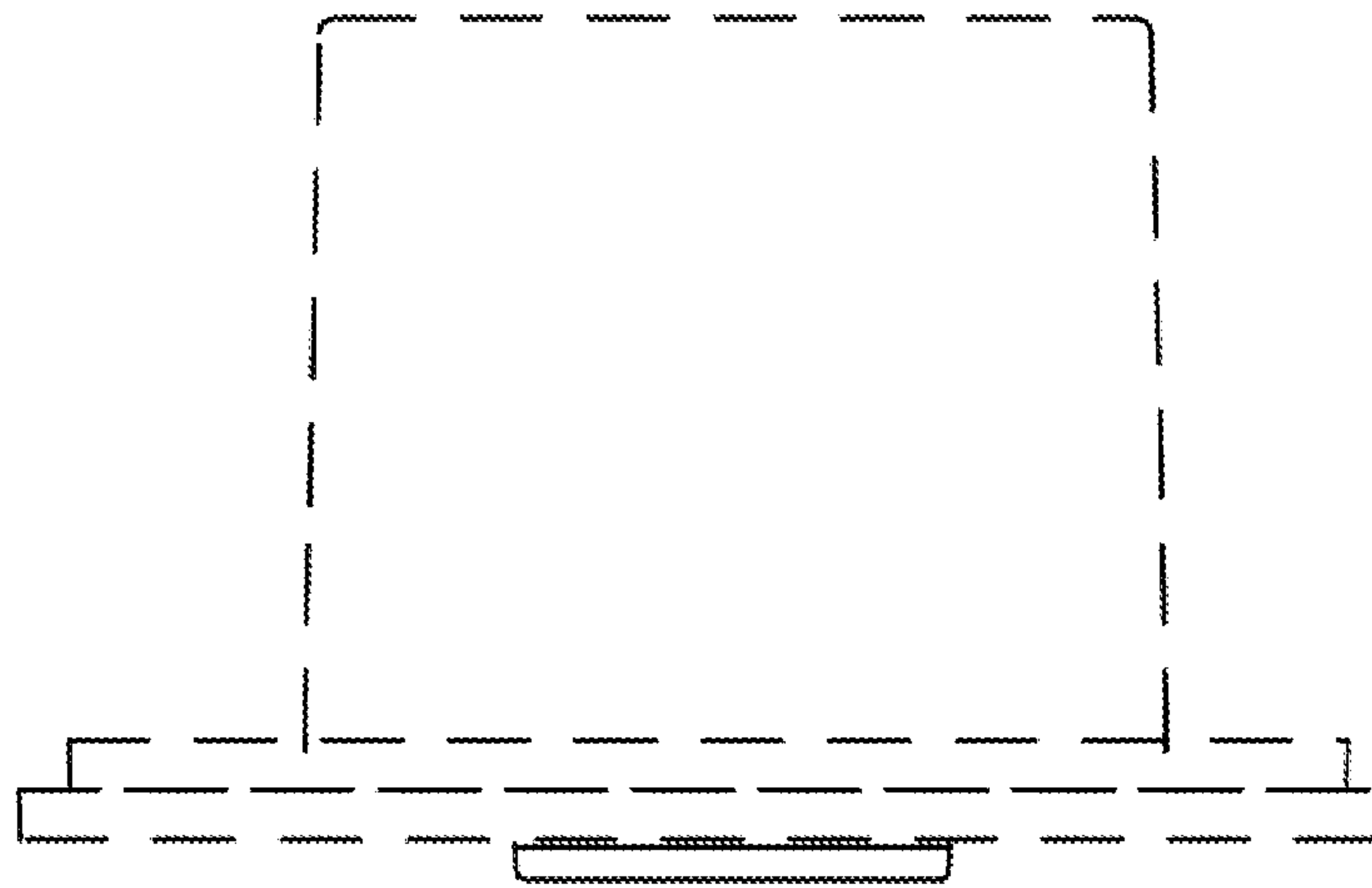


FIG. 5

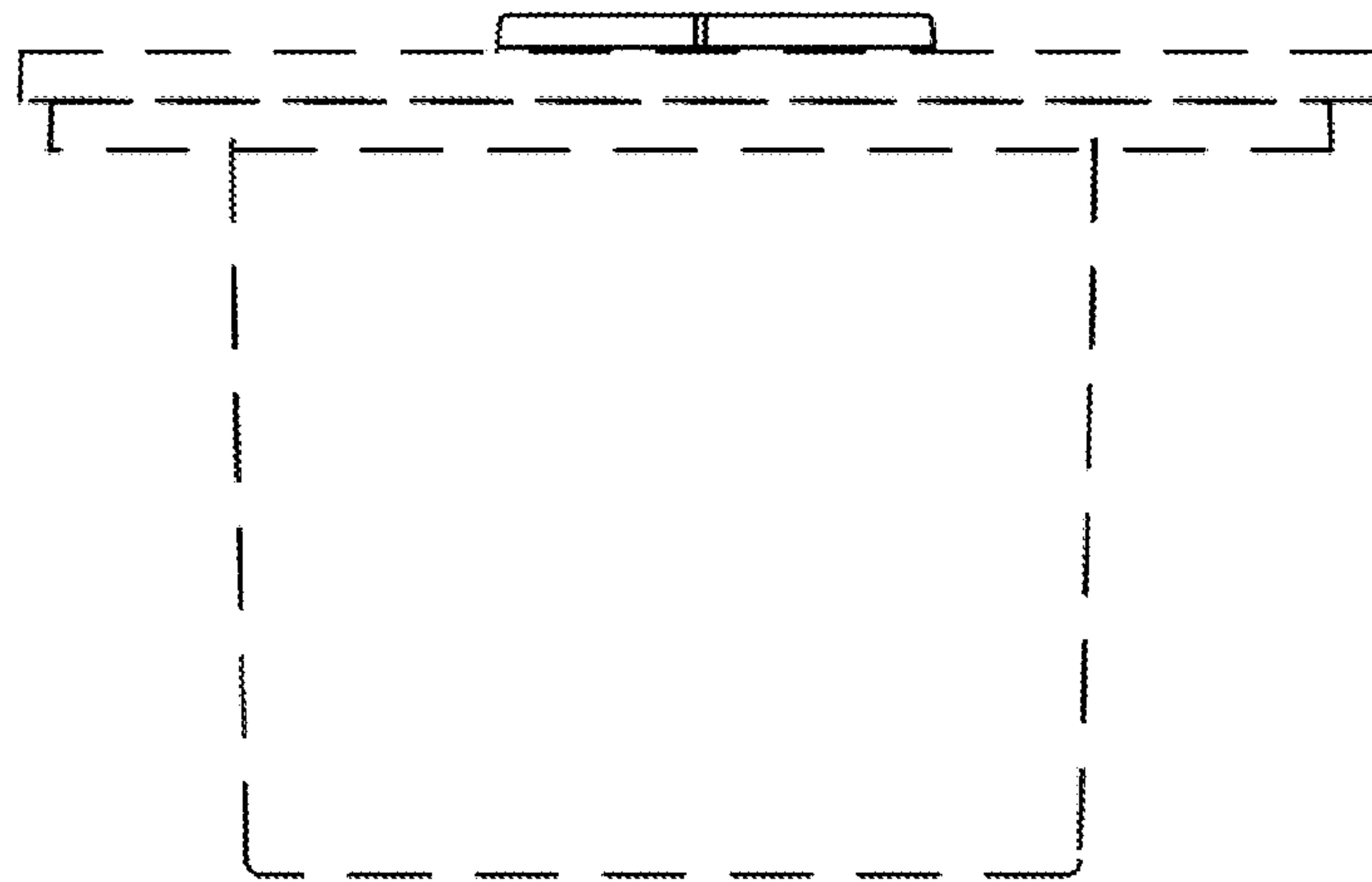


FIG. 6