



US00D686171S

(12) **United States Design Patent**
Wisniewski et al.

(10) **Patent No.:** **US D686,171 S**
(45) **Date of Patent:** **** Jul. 16, 2013**

(54) **WALL MOUNTED BUTTON PANEL**

(56)

References Cited

(75) Inventors: **Stanley Wisniewski**, Pompton Plains, NJ (US); **Doug Jacobson**, Oradell, NJ (US)

(73) Assignee: **Crestron Electronics Inc.**, Rockleigh, NJ (US)

(*) Notice: This patent is subject to a terminal disclaimer.

(**) Term: **14 Years**

(21) Appl. No.: **29/394,777**

(22) Filed: **Jun. 21, 2011**

Related U.S. Application Data

(63) Continuation-in-part of application No. 29/394,393, filed on Jun. 16, 2011, now Pat. No. Des. 678,223, which is a continuation-in-part of application No. 29/394,307, filed on Jun. 15, 2011, which is a continuation-in-part of application No. 29/394,237, filed on Jun. 15, 2011, which is a continuation-in-part of application No. 29/394,202, filed on Jun. 14, 2011, which is a continuation-in-part of application No. 29/394,174, filed on Jun. 14, 2011, now Pat. No. Des. 678,851, which is a continuation-in-part of application No. 29/394,069, filed on Jun. 13, 2011, now Pat. No. Des. 678,850, which is a continuation-in-part of application No. 29/393,912, filed on Jun. 10, 2011, now Pat. No. Des. 678,222, which is a continuation-in-part of application No. 29/354,992, filed on Feb. 1, 2010, now abandoned.

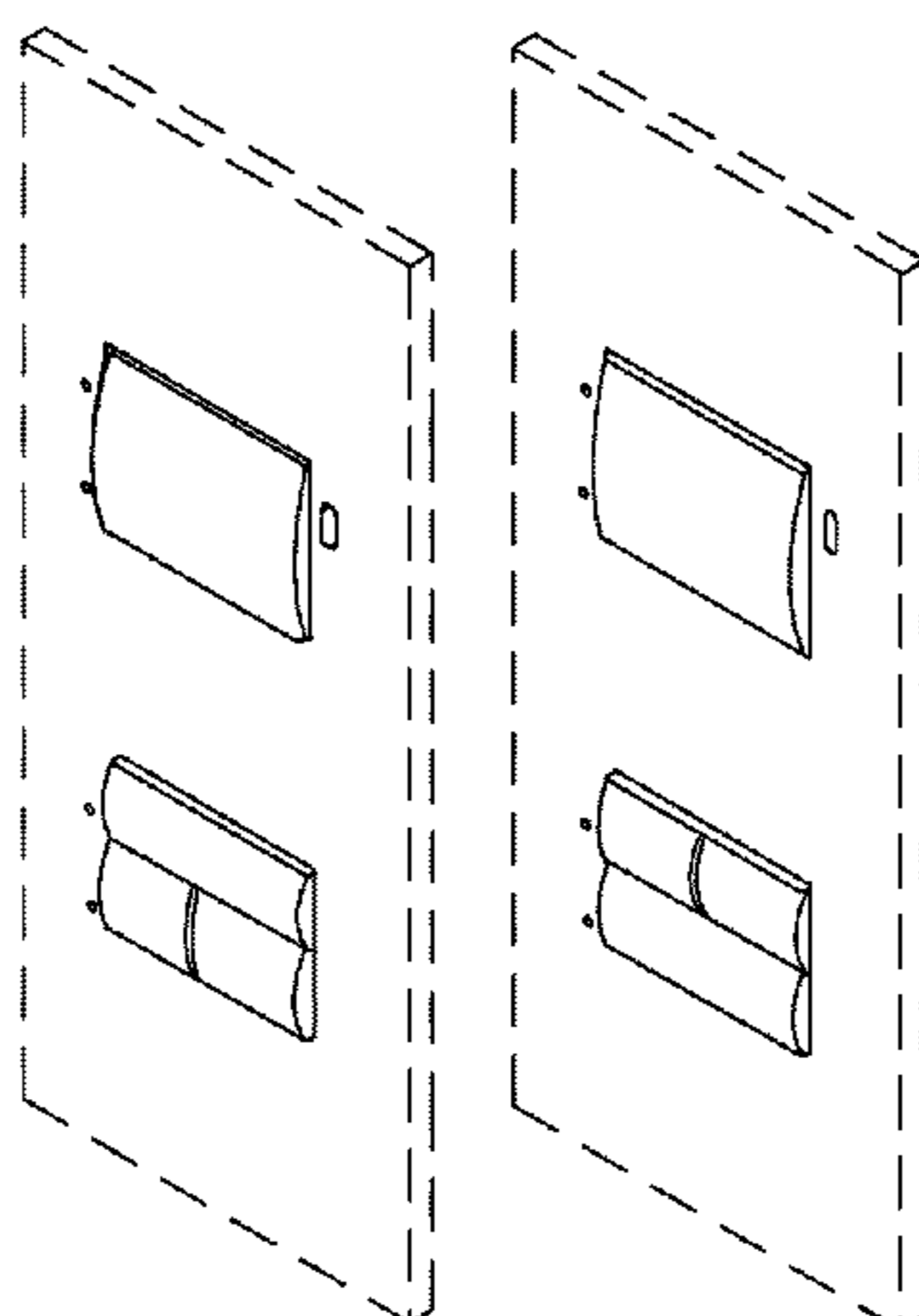
(51) **LOC (9) Cl.** **13-03**

(52) **U.S. Cl.**
USPC **D13/174**

(58) **Field of Classification Search**
USPC D13/162, 164, 171, 174; 174/66; 307/139, 307/157; 315/209 R, 224, 246, 291, 294, 315/295; 200/5 R, 5 A, 302.2, 520, 530, 293, 200/296, 308, 310, 314, 329, 341; 220/241
See application file for complete search history.

U.S. PATENT DOCUMENTS

D285,066	S	8/1986	Liss et al.	
D287,242	S	12/1986	Liss et al.	
4,737,609	A *	4/1988	Yuhasz et al.	200/330
4,757,168	A *	7/1988	Fujiyoshi et al.	200/296
D311,382	S	10/1990	Mayo et al.	
D311,485	S	10/1990	Jacoby et al.	
D311,678	S	10/1990	Graef et al.	
D313,738	S	1/1991	Mayo et al.	
5,036,168	A *	7/1991	Kikuchi et al.	200/5 R
D319,429	S	8/1991	D'Aleo et al.	
D327,255	S	6/1992	D'Aleo et al.	
D336,744	S	6/1993	Kahn et al.	
D344,264	S	2/1994	D'Aleo et al.	
D353,798	S	12/1994	Bryde et al.	
5,608,196	A	3/1997	Hall et al.	
D389,461	S	1/1998	Mayo et al.	
D389,805	S	1/1998	Mayo et al.	
D395,037	S	6/1998	Mayo et al.	
D404,013	S	1/1999	Mayo et al.	
D412,315	S	7/1999	Mayo et al.	
D421,246	S	2/2000	Mayo et al.	
D422,567	S	4/2000	Mayo et al.	
D428,855	S	8/2000	Mayo et al.	
6,120,262	A	9/2000	McDonough et al.	
D436,930	S	1/2001	Butler	
D437,585	S	2/2001	Mayo et al.	
D437,834	S	2/2001	Mayo et al.	
D441,723	S	5/2001	Mayo et al.	
D442,558	S	5/2001	Mayo et al.	
D450,043	S	11/2001	Mosebrook	
D453,742	S	2/2002	Butler et al.	
D456,783	S	5/2002	Mayo et al.	
D461,782	S	8/2002	Butler et al.	
D465,460	S	11/2002	Mayo et al.	
D466,090	S	11/2002	Bennett	
D466,091	S	11/2002	Bennett	
D466,484	S	12/2002	Bennett	
6,545,434	B2	4/2003	Sembhi et al.	
D475,024	S	5/2003	Bennett	
D475,025	S *	5/2003	Bennett et al.	D13/164
D490,061	S	5/2004	Bennett	
D510,074	S	9/2005	Larson et al.	
D516,041	S	2/2006	Hobart et al.	
D519,939	S *	5/2006	Hedderich et al.	D13/164
D535,950	S	1/2007	Alker et al.	
D538,238	S	3/2007	Alker et al.	
D539,758	S	4/2007	Blair et al.	
D542,226	S	5/2007	Spira	
D542,227	S	5/2007	Larson et al.	



D542,229 S	5/2007	Larson et al.	
D546,294 S	7/2007	Mayo et al.	
D546,776 S	7/2007	Miertta et al.	
D547,733 S	7/2007	Mayo et al.	
D547,734 S	7/2007	Mayo et al.	
D550,163 S	9/2007	Mayo et al.	
D550,164 S	9/2007	Mayo et al.	
D550,165 S	9/2007	Mayo et al.	
D550,166 S	9/2007	Mayo et al.	
D551,177 S	9/2007	Larson et al.	
D551,178 S	9/2007	Mayo et al.	
D551,179 S	9/2007	Mayo et al.	
D551,630 S	9/2007	Larson et al.	
D551,631 S	9/2007	Mayo et al.	
D552,042 S	10/2007	Mayo et al.	
D557,662 S	12/2007	Spira	
D557,664 S	12/2007	Hewson et al.	
D557,665 S	12/2007	Hewson et al.	
D572,664 S	7/2008	Hollner et al.	
D572,665 S	7/2008	Hollner et al.	
D572,666 S	7/2008	Biery et al.	
D573,546 S	7/2008	Hollner	
D573,956 S	7/2008	Hollner	
D574,787 S	8/2008	Hollner	
D576,958 S	9/2008	Hollner	
D580,881 S	11/2008	Hollner	
D580,882 S	11/2008	Hollner	
D580,883 S	11/2008	Hollner	
D580,884 S	11/2008	Hollner	
D585,840 S	2/2009	Hollner	
D585,841 S	2/2009	Hollner	
D586,760 S	2/2009	Hollner et al.	
D588,070 S	3/2009	Hollner et al.	
D588,071 S	3/2009	Hollner et al.	
D588,072 S	3/2009	Hollner et al.	
D588,073 S	3/2009	Hollner	
D588,074 S	3/2009	Hollner	
D588,075 S	3/2009	Hollner	
D588,553 S	3/2009	Hollner et al.	
D595,663 S	7/2009	Hollner	
D595,665 S	7/2009	Hollner	
D595,666 S	7/2009	Hollner	
D596,140 S	7/2009	Hollner	
D604,743 S	11/2009	Altonen et al.	
D612,400 S	3/2010	Altonen et al.	
D613,305 S	4/2010	Altonen et al.	
D622,673 S *	8/2010	Maurer et al.	D13/162
7,796,057 B2	9/2010	Swatsky et al.	
D624,881 S	10/2010	Altonen et al.	
D624,882 S	10/2010	Altonen et al.	
D625,273 S	10/2010	Felegy et al.	
D633,448 S	3/2011	Biery et al.	
D651,571 S *	1/2012	Feldstein et al.	D13/164
D651,572 S *	1/2012	Feldstein et al.	D13/164
D651,573 S *	1/2012	Feldstein et al.	D13/164
D651,574 S *	1/2012	Feldstein et al.	D13/164
D651,575 S *	1/2012	Feldstein et al.	D13/164
D651,576 S *	1/2012	Feldstein et al.	D13/164
D651,577 S *	1/2012	Feldstein et al.	D13/164
D651,578 S *	1/2012	Feldstein et al.	D13/164
D651,579 S *	1/2012	Feldstein et al.	D13/164
D651,580 S *	1/2012	Feldstein et al.	D13/164
D651,983 S *	1/2012	Feldstein et al.	D13/164
D651,984 S *	1/2012	Feldstein et al.	D13/164
D651,985 S *	1/2012	Feldstein et al.	D13/164
D651,986 S *	1/2012	Feldstein et al.	D13/164
D652,805 S *	1/2012	Feldstein et al.	D13/164
D652,806 S *	1/2012	Feldstein et al.	D13/164
D653,220 S *	1/2012	Feldstein et al.	D13/164
D657,319 S *	4/2012	Feldstein et al.	D13/164
8,149,591 B2 *	4/2012	Feldstein et al.	361/810
8,289,192 B2 *	10/2012	O'Donnell	341/22

8,289,716 B2 *	10/2012	Patel et al.	361/728
2002/0060530 A1	5/2002	Sembhi et al.	
2005/0284738 A1	12/2005	Altonen et al.	
2008/0111501 A1 *	5/2008	Dobbins et al.	315/294
2008/0237010 A1	10/2008	Patel et al.	
2010/0214756 A1	8/2010	Feldstein	

OTHER PUBLICATIONS

Crestron Electronics, Inc., *Cameo Keypads Operations and Installation Guide*, Feb. 2006, pp. front, cover, i, 1-8, rear cover.
Exhibit A-Lutron Electronics v. Crestron Electronics CV 2:09-cv-07, Third Amended Complaint.

* cited by examiner

Primary Examiner — Selina Sikder

(74) *Attorney, Agent, or Firm* — Crestron Electronics Inc.

(57) **CLAIM**

The ornamental design for a wall mounted button panel, as shown and described.

DESCRIPTION

FIG. 1 shows a front elevational view of a first embodiment of a wall mounted button panel, with elements in dashed lines forming no part of the claimed design.

FIG. 2 shows an isometric projection of the wall mounted button panel of FIG. 1, with elements in dashed lines forming no part of the claimed design.

FIG. 3 shows a left side elevational view of the wall mounted button panel of FIG. 1, with elements in dashed lines forming no part of the claimed design.

FIG. 4 shows a right side elevational view of the wall mounted button panel of FIG. 1, with elements in dashed lines forming no part of the claimed design.

FIG. 5 shows a top plan view of the wall mounted button panel of FIG. 1, with elements in dashed lines forming no part of the claimed design.

FIG. 6 shows a bottom plan view of the wall mounted button panel of FIG. 1, with elements in dashed lines forming no part of the claimed design.

FIG. 7 shows a front elevational view of a second embodiment of a wall mounted button panel, with elements in dashed lines forming no part of the claimed design.

FIG. 8 shows an isometric projection of the wall mounted button panel of FIG. 7, with elements in dashed lines forming no part of the claimed design.

FIG. 9 shows a left side elevational view of the wall mounted button panel of FIG. 7, with elements in dashed lines forming no part of the claimed design.

FIG. 10 shows a right side elevational view of the wall mounted button panel of FIG. 7, with elements in dashed lines forming no part of the claimed design.

FIG. 11 shows a top plan view of the wall mounted button panel of FIG. 7, with elements in dashed lines forming no part of the claimed design; and,

FIG. 12 shows a bottom plan view of the wall mounted button panel of FIG. 7, with elements in dashed lines forming no part of the claimed design.

1 Claim, 8 Drawing Sheets

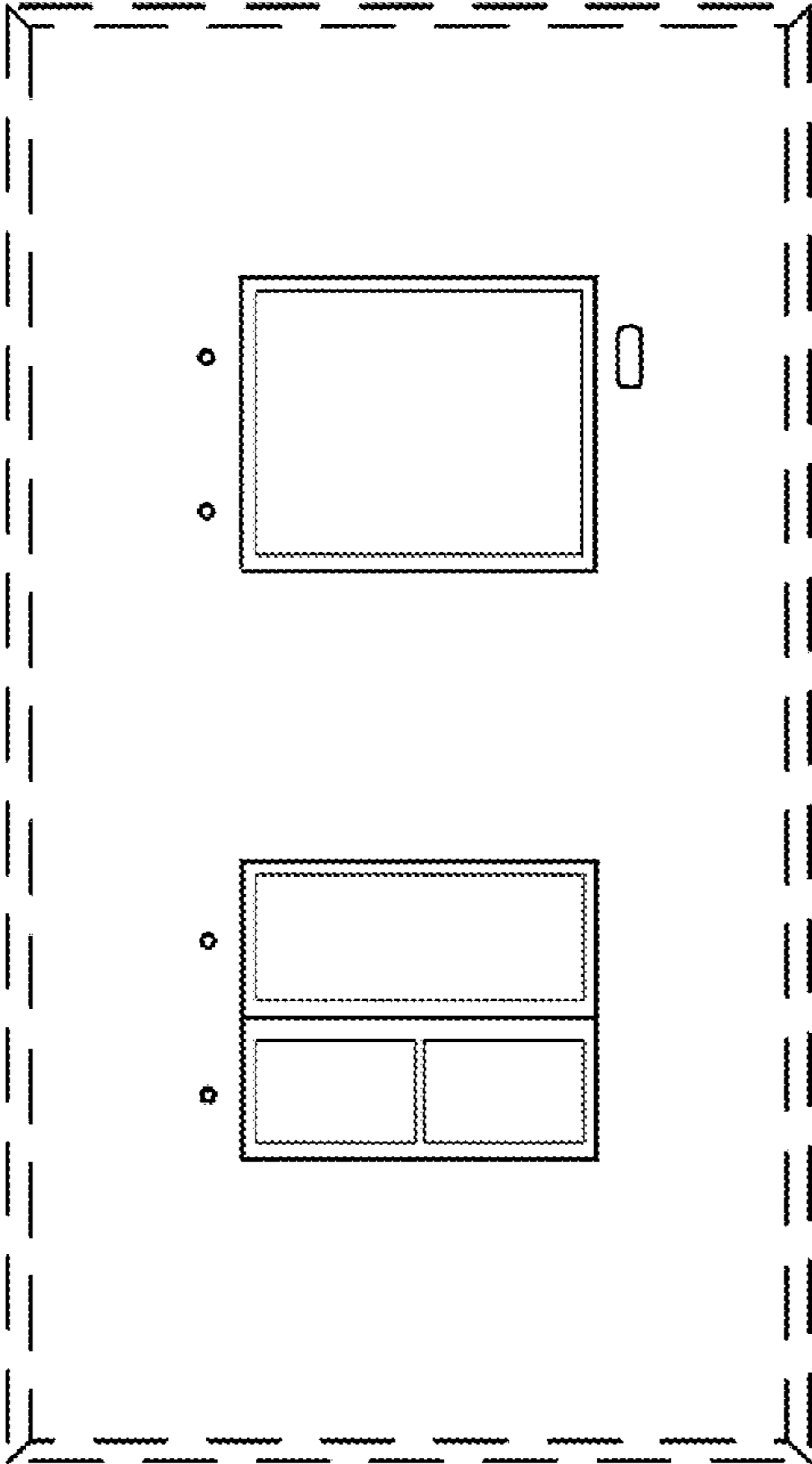


FIG. 1

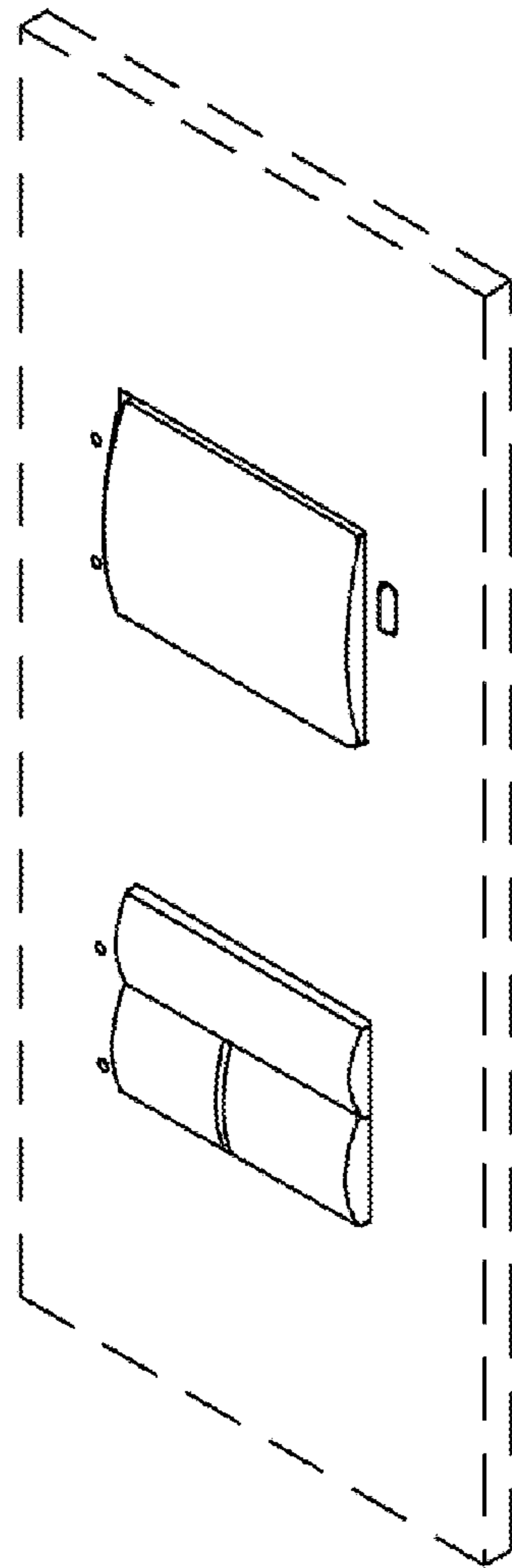


FIG. 2

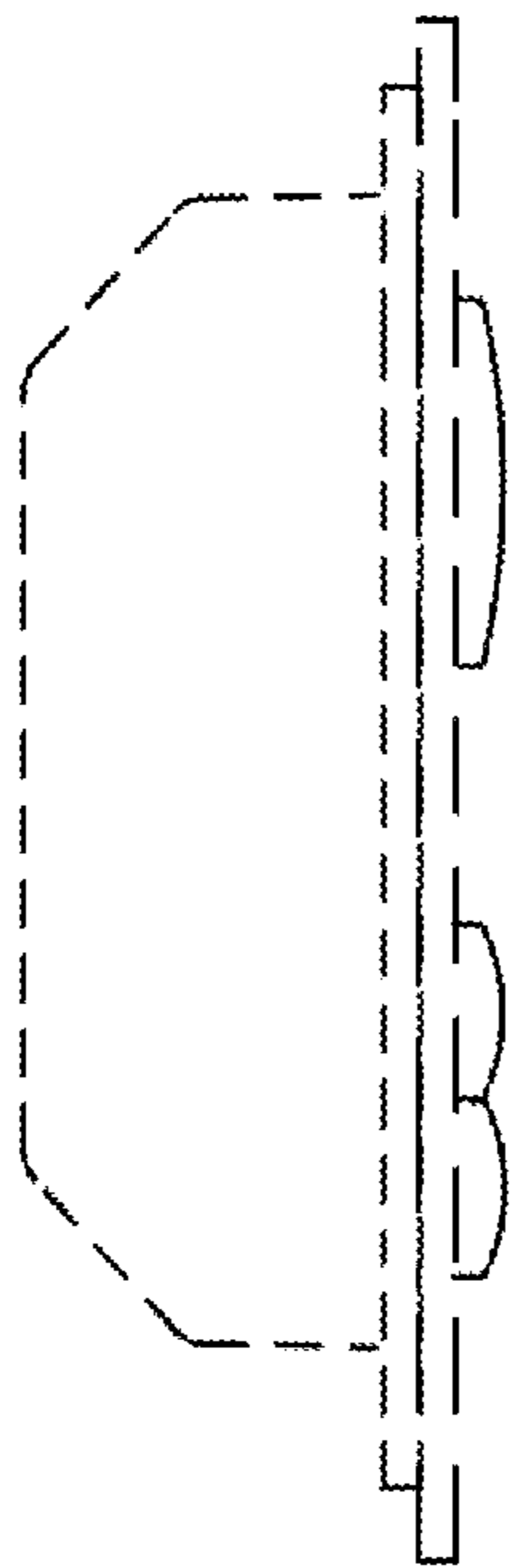


FIG. 3

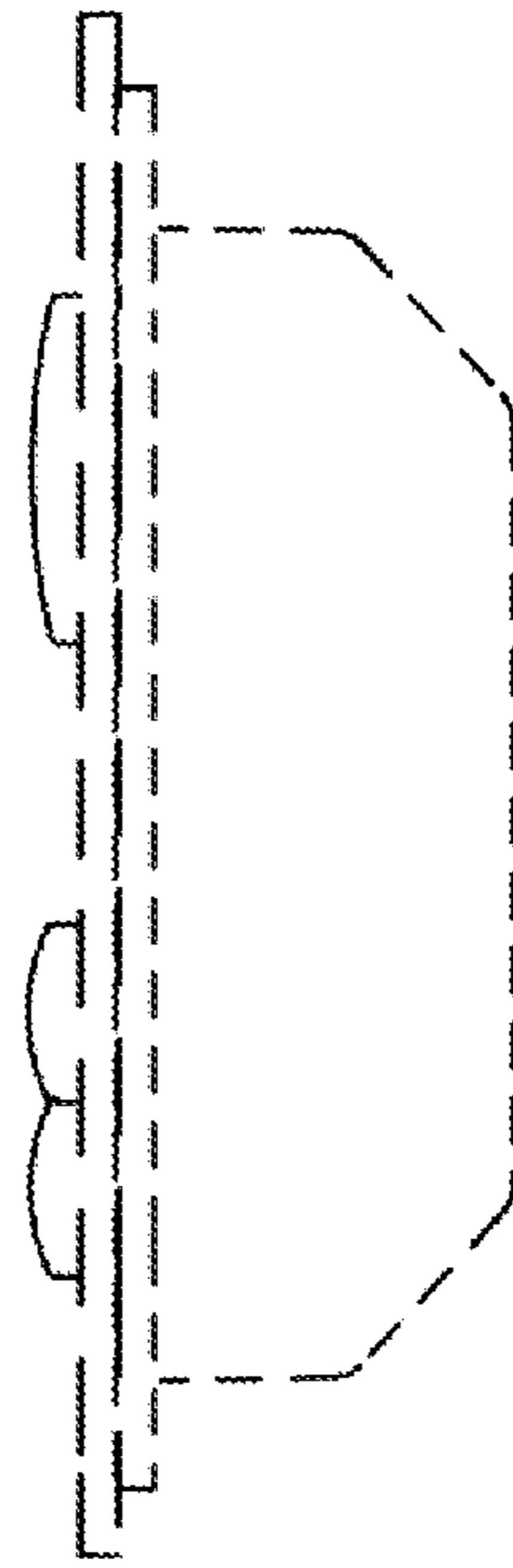


FIG. 4

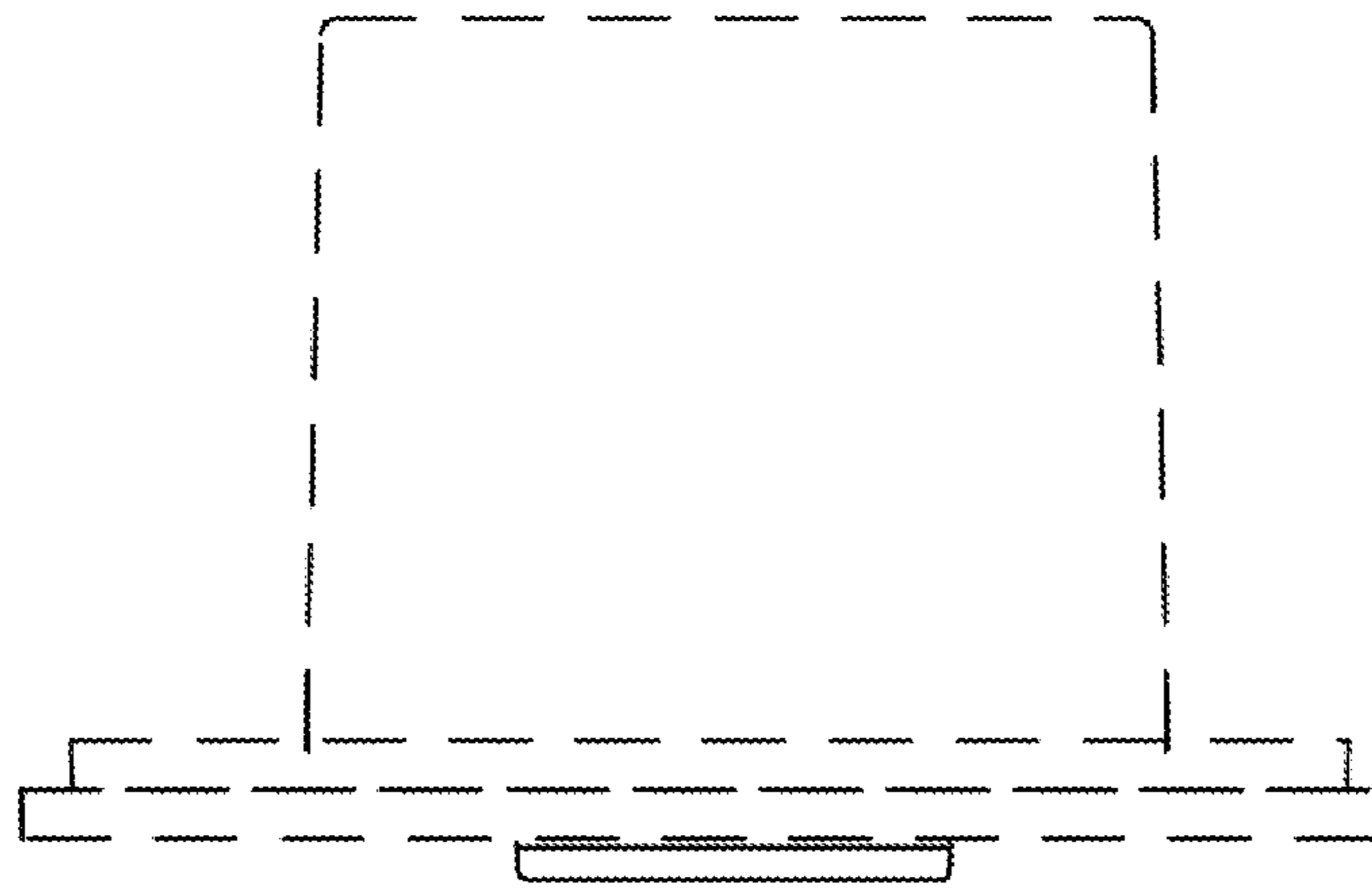


FIG. 5

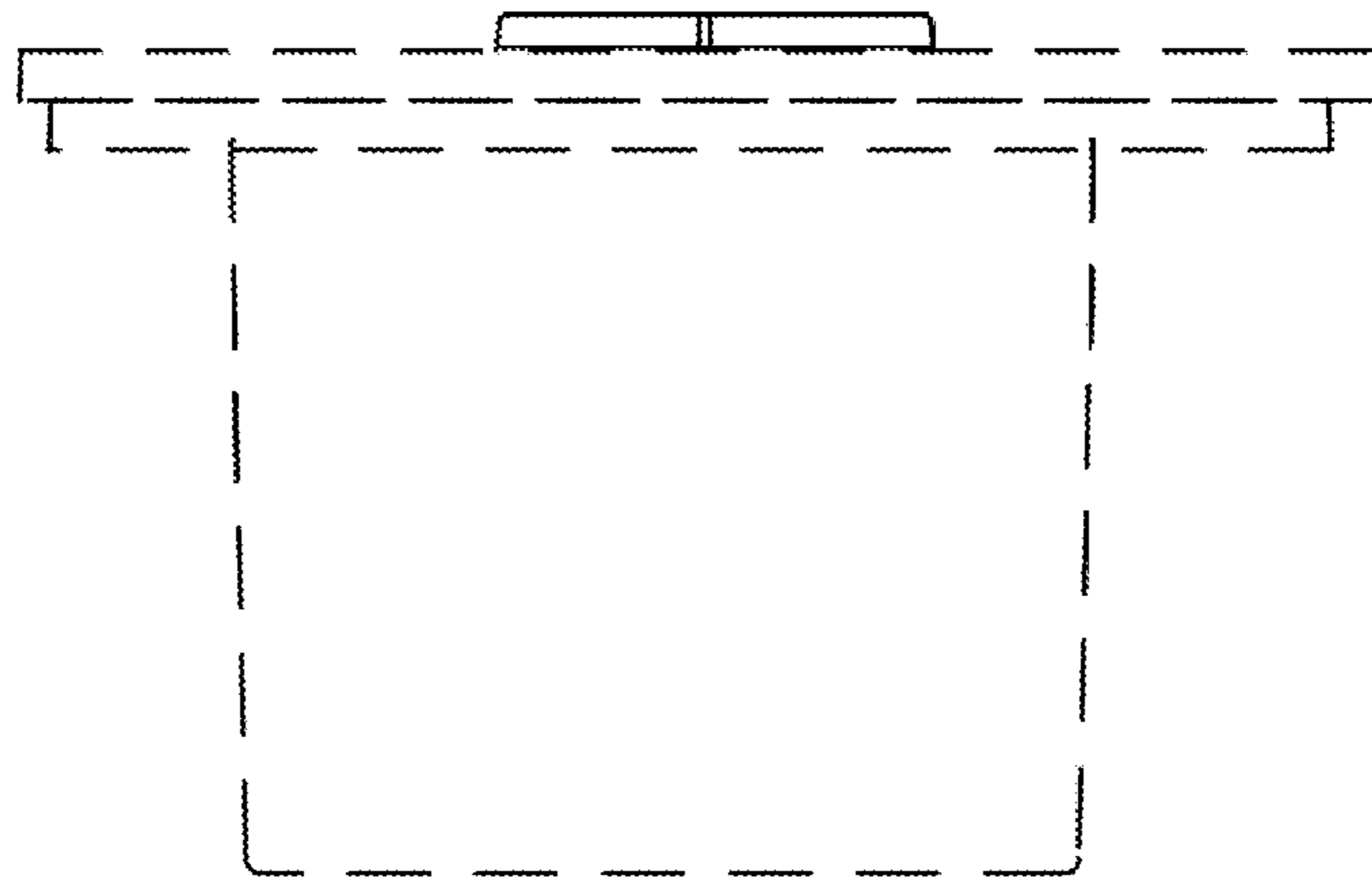


FIG. 6

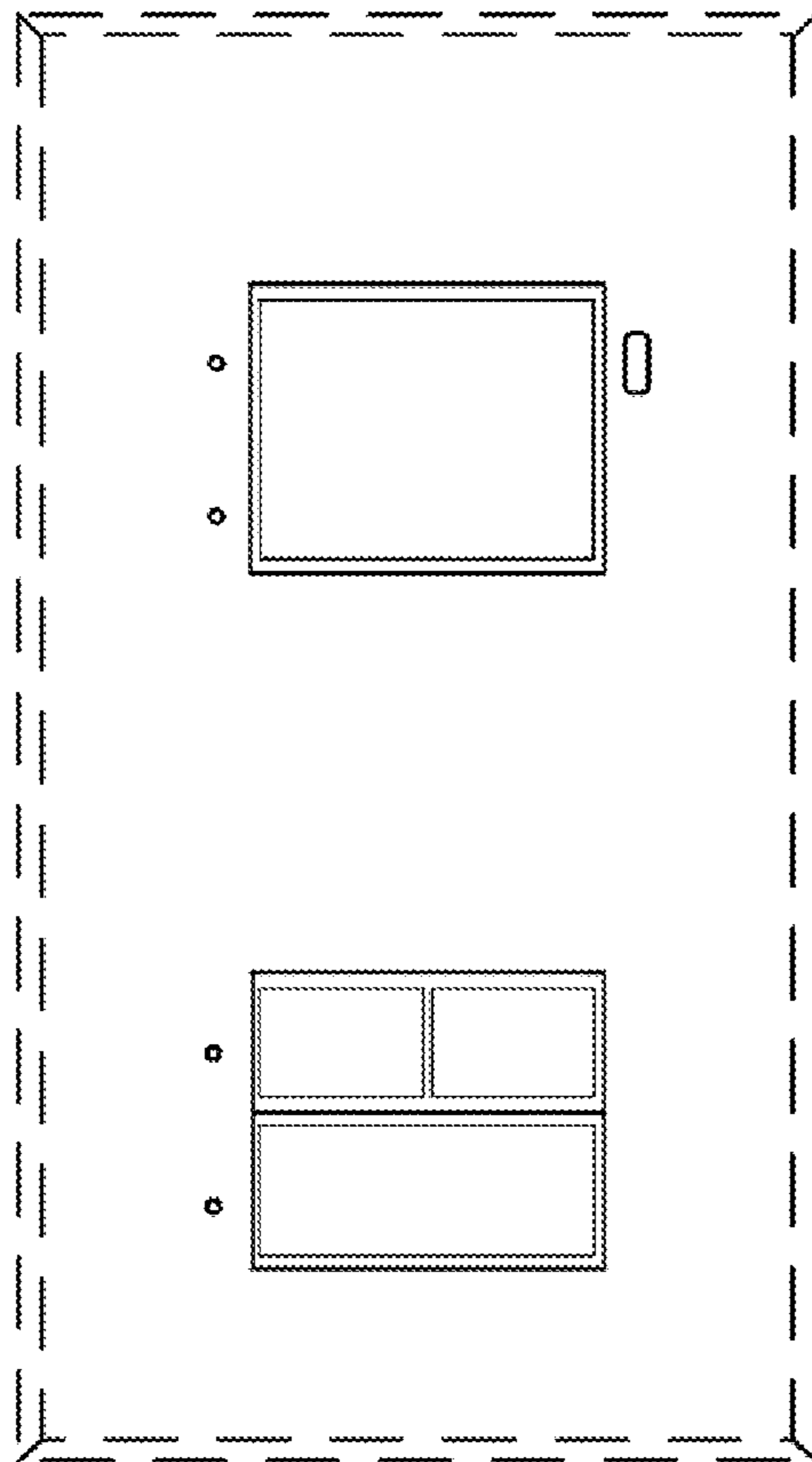


FIG. 7

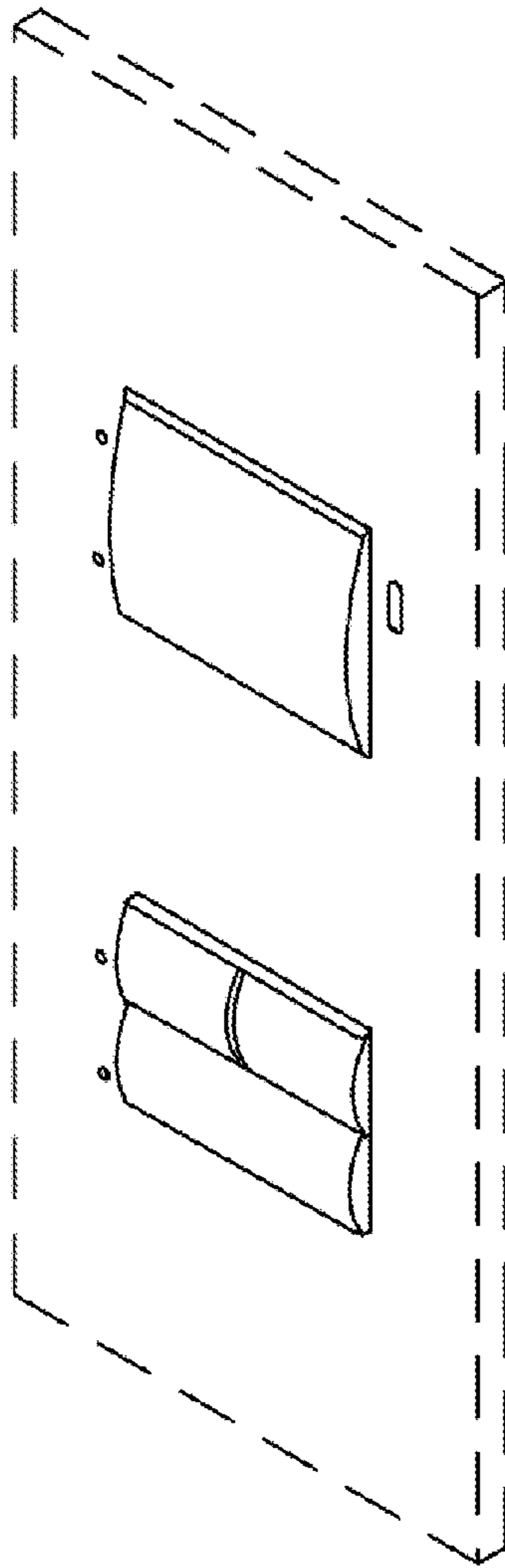


FIG. 8

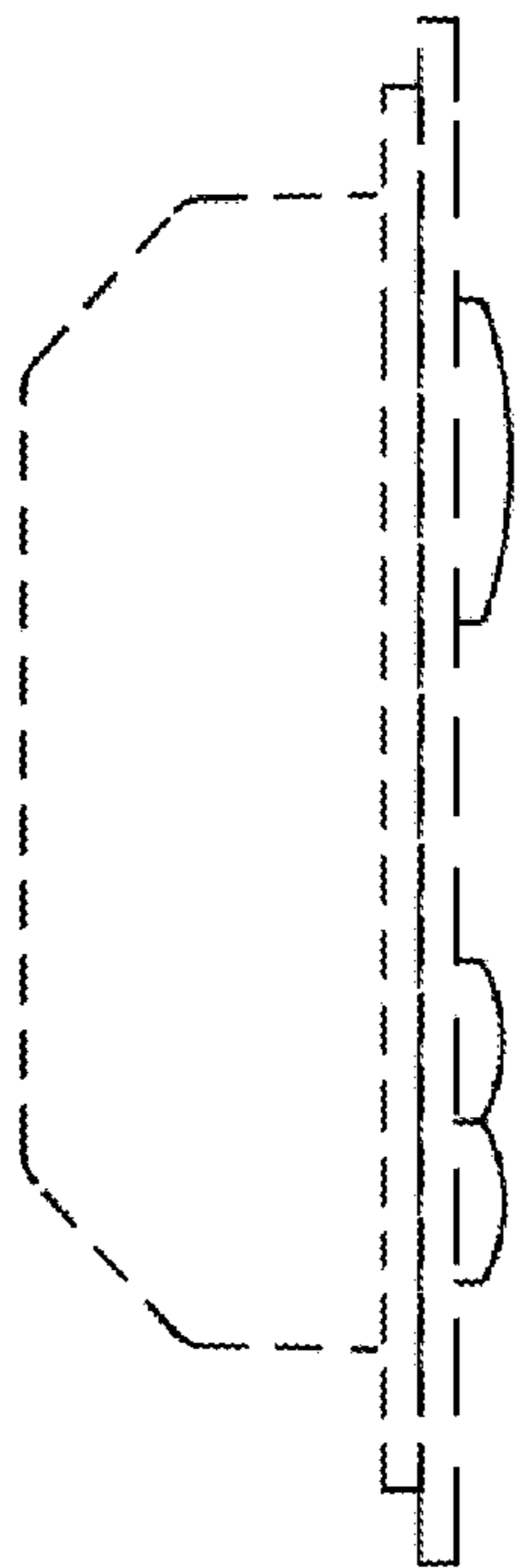


FIG. 9

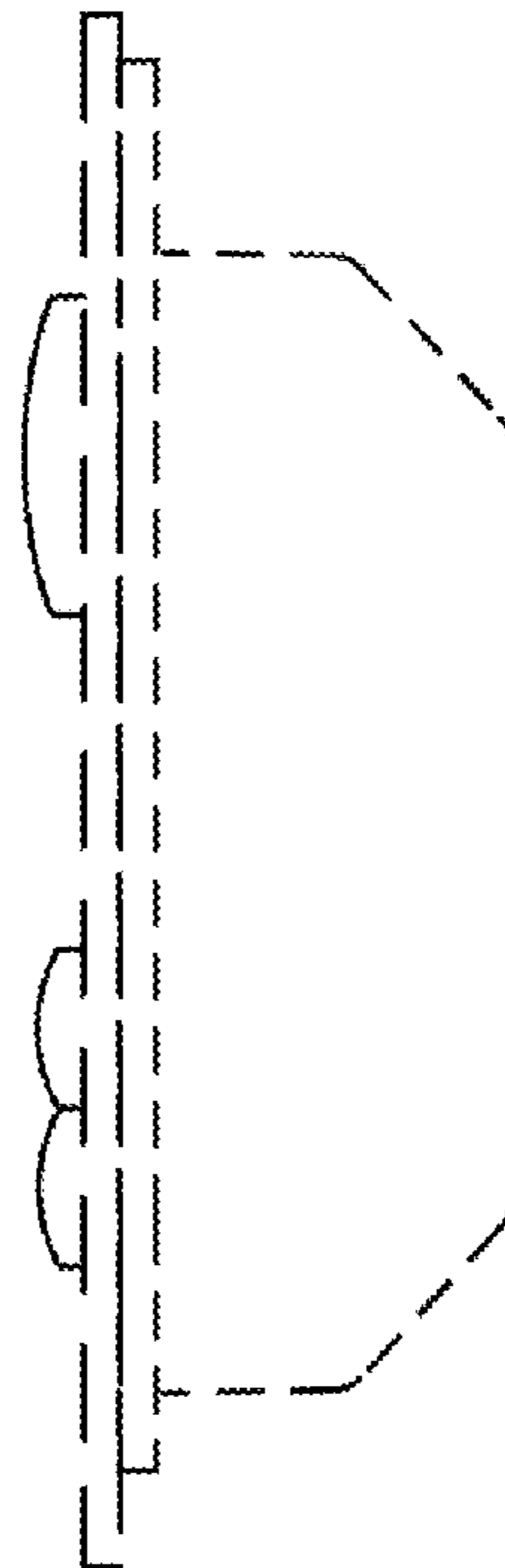


FIG. 10

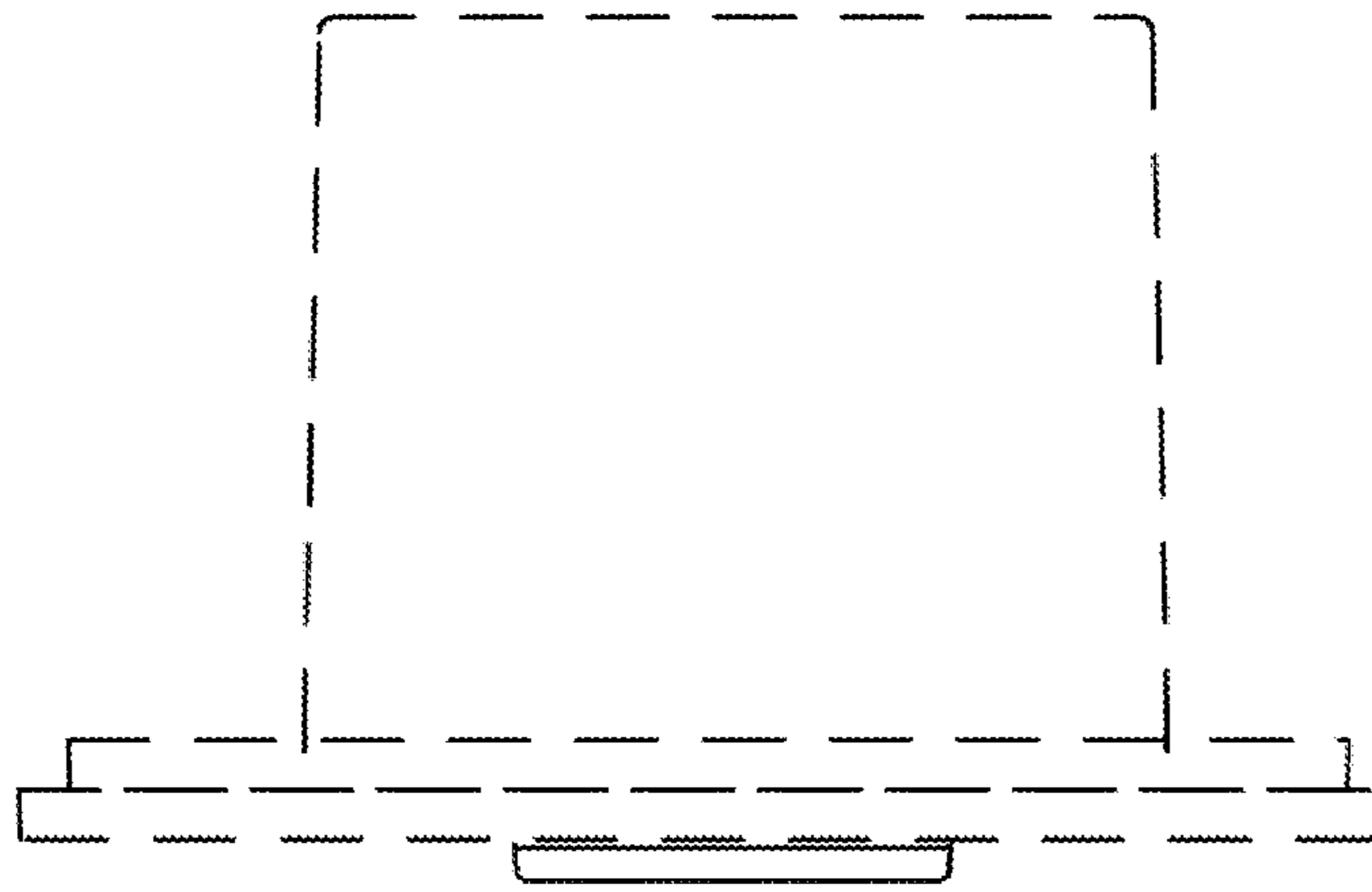


FIG. 11

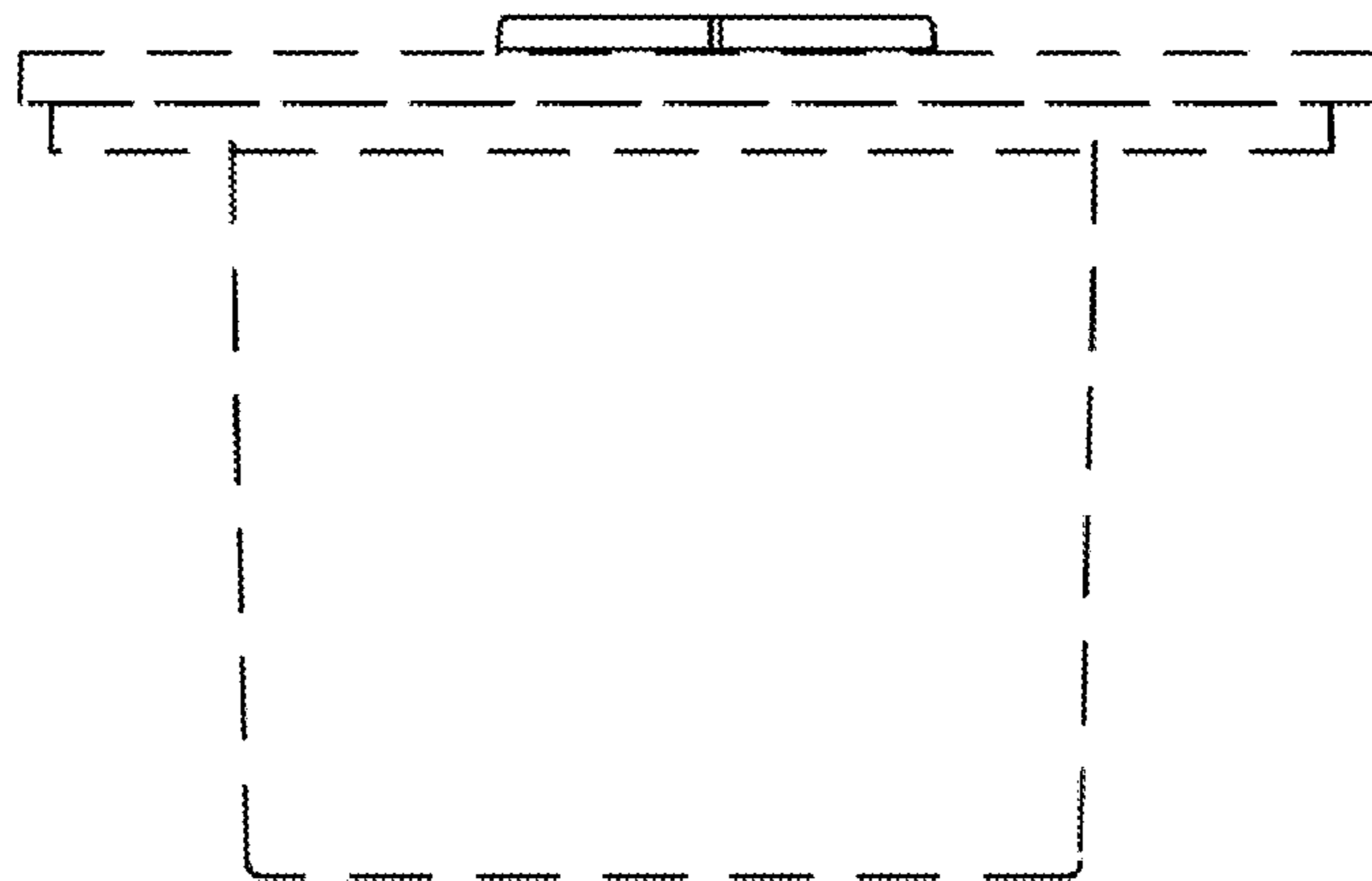


FIG. 12