



US00D686168S

(12) **United States Design Patent**
Wisniewski et al.

(10) **Patent No.:** **US D686,168 S**

(45) **Date of Patent:** **** *Jul. 16, 2013**

(54) **WALL MOUNTED BUTTON PANEL**

(56)

References Cited

(75) Inventors: **Stanley Wisniewski**, Pompton Plains, NJ (US); **Doug Jacobson**, Oradell, NJ (US)

(73) Assignee: **Crestron Electronics Inc.**, Rockleigh, NJ (US)

(*) Notice: This patent is subject to a terminal disclaimer.

(**) Term: **14 Years**

(21) Appl. No.: **29/394,307**

(22) Filed: **Jun. 15, 2011**

U.S. PATENT DOCUMENTS

D285,066 S	8/1986	Liss et al.	
D287,242 S	12/1986	Liss et al.	
4,737,609 A *	4/1988	Yuhasz et al.	200/330
4,757,168 A *	7/1988	Fujiyoshi et al.	200/296
D311,382 S	10/1990	Mayo et al.	
D311,485 S	10/1990	Jacoby et al.	
D311,678 S	10/1990	Graef et al.	
D313,738 S	1/1991	Mayo et al.	
5,036,168 A *	7/1991	Kikuchi et al.	200/5 R
D319,429 S	8/1991	D'Aleo et al.	
D327,255 S	6/1992	D'Aleo et al.	
D336,744 S	6/1993	Kahn et al.	
D344,264 S	2/1994	D'Aleo et al.	
D353,798 S	12/1994	Bryde et al.	
5,608,196 A	3/1997	Hall et al.	
D389,461 S	1/1998	Mayo et al.	
D389,805 S	1/1998	Mayo et al.	
D395,037 S	6/1998	Mayo et al.	
D404,013 S	1/1999	Mayo et al.	
D412,315 S	7/1999	Mayo et al.	
D421,246 S	2/2000	Mayo et al.	
D422,567 S	4/2000	Mayo et al.	
D428,855 S	8/2000	Mayo et al.	
6,120,262 A	9/2000	McDonough et al.	
D436,930 S	1/2001	Butler	
D437,585 S	2/2001	Mayo et al.	
D437,834 S	2/2001	Mayo et al.	
D441,723 S	5/2001	Mayo et al.	
D442,558 S	5/2001	Mayo et al.	
D450,043 S	11/2001	Mosebrook	
D453,742 S	2/2002	Butler et al.	
D456,783 S	5/2002	Mayo et al.	
D461,782 S	8/2002	Butler et al.	
D465,460 S	11/2002	Mayo et al.	
D466,090 S	11/2002	Bennett	
D466,091 S	11/2002	Bennett	
D466,484 S	12/2002	Bennett	
6,545,434 B2	4/2003	Sembhi et al.	
D475,024 S	5/2003	Bennett	
D475,025 S *	5/2003	Bennett et al.	D13/164
D490,061 S	5/2004	Bennett	
D510,074 S	9/2005	Larson et al.	
D516,041 S	2/2006	Hobart et al.	
D519,939 S *	5/2006	Hedderich et al.	D13/164
D535,950 S	1/2007	Alker et al.	
D538,238 S	3/2007	Alker et al.	
D539,758 S	4/2007	Blair et al.	
D542,226 S	5/2007	Spira	
D542,227 S	5/2007	Larson et al.	

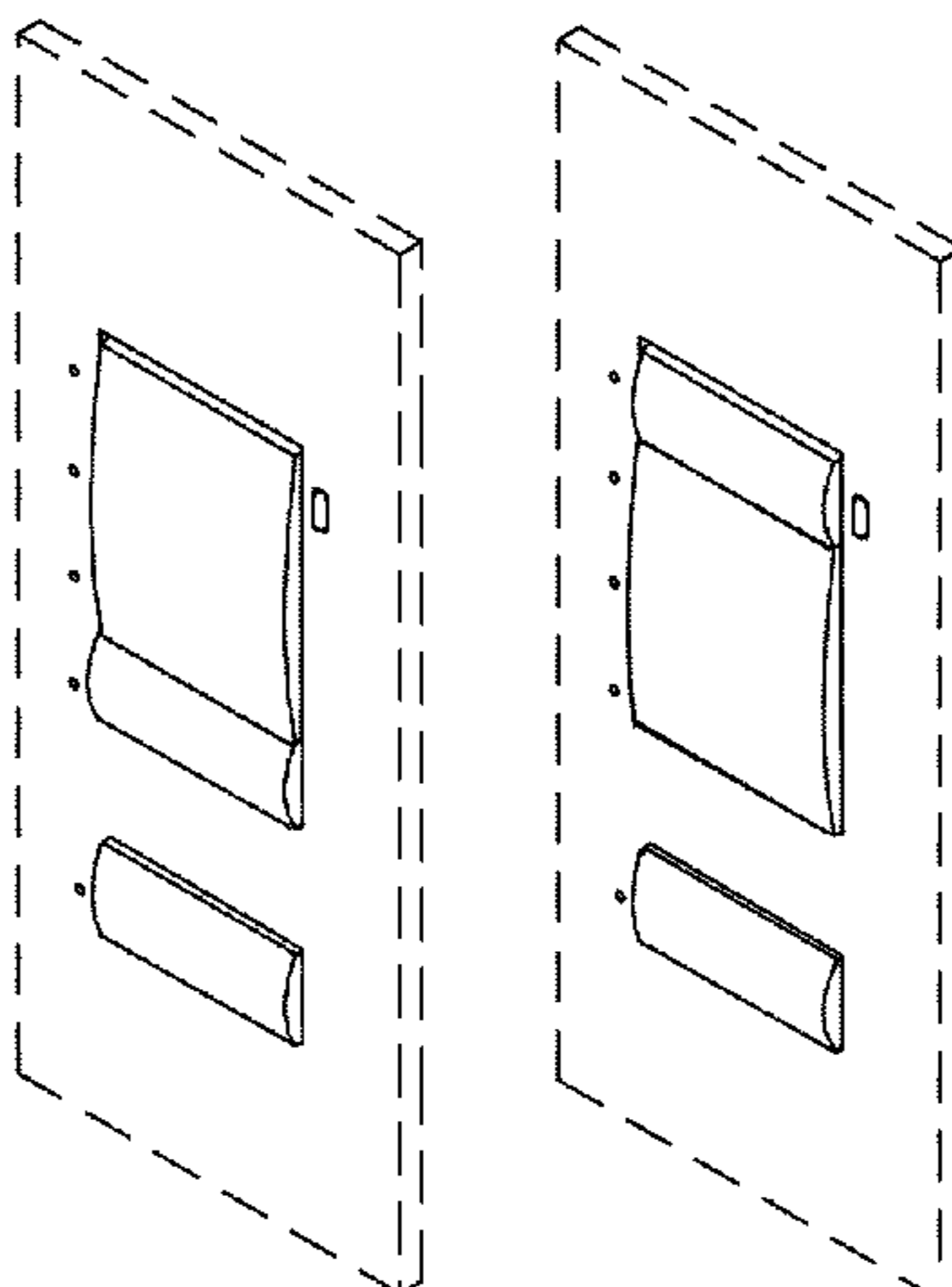
Related U.S. Application Data

(63) Continuation-in-part of application No. 29/394,237, filed on Jun. 15, 2011, which is a continuation-in-part of application No. 29/394,202, filed on Jun. 14, 2011, which is a continuation-in-part of application No. 29/394,174, filed on Jun. 14, 2011, now Pat. No. Des. 678,851, which is a continuation-in-part of application No. 29/394,069, filed on Jun. 13, 2011, now Pat. No. Des. 678,850, which is a continuation-in-part of application No. 29/393,912, filed on Jun. 10, 2011, now Pat. No. Des. 678,222, which is a continuation-in-part of application No. 29/354,992, filed on Feb. 1, 2010, now abandoned.

(51) **LOC (9) Cl.** **13-03**

(52) **U.S. Cl.**
USPC **D13/174**

(58) **Field of Classification Search**
USPC D13/162, 164, 171, 174; 174/66; 307/139, 307/157; 315/209 R, 224, 246, 291, 294, 315/295; 200/5 R, 5 A, 302.2, 520, 530, 293, 200/296, 308, 310, 314, 329, 341; 220/241
See application file for complete search history.



D542,229	S	5/2007	Larson et al.	
D546,294	S	7/2007	Mayo et al.	
D546,776	S	7/2007	Miertta et al.	
D547,733	S	7/2007	Mayo et al.	
D547,734	S	7/2007	Mayo et al.	
D550,163	S	9/2007	Mayo et al.	
D550,164	S	9/2007	Mayo et al.	
D550,165	S	9/2007	Mayo et al.	
D550,166	S	9/2007	Mayo et al.	
D551,177	S	9/2007	Larson et al.	
D551,178	S	9/2007	Mayo et al.	
D551,179	S	9/2007	Mayo et al.	
D551,630	S	9/2007	Larson et al.	
D551,631	S	9/2007	Mayo et al.	
D552,042	S	10/2007	Mayo et al.	
D557,662	S	12/2007	Spira	
D557,664	S	12/2007	Hewson et al.	
D557,665	S	12/2007	Hewson et al.	
D572,664	S	7/2008	Hollner et al.	
D572,665	S	7/2008	Hollner et al.	
D572,666	S	7/2008	Biery et al.	
D573,546	S	7/2008	Hollner	
D573,956	S	7/2008	Hollner et al.	
D574,787	S	8/2008	Hollner	
D576,958	S	9/2008	Hollner	
D580,881	S	11/2008	Hollner	
D580,882	S	11/2008	Hollner	
D580,883	S	11/2008	Hollner	
D580,884	S	11/2008	Hollner	
D585,840	S	2/2009	Hollner	
D585,841	S	2/2009	Hollner	
D586,760	S	2/2009	Hollner et al.	
D588,070	S	3/2009	Hollner et al.	
D588,071	S	3/2009	Hollner et al.	
D588,072	S	3/2009	Hollner et al.	
D588,073	S	3/2009	Hollner	
D588,074	S	3/2009	Hollner	
D588,075	S	3/2009	Hollner	
D588,553	S	3/2009	Hollner et al.	
D595,663	S	7/2009	Hollner	
D595,665	S	7/2009	Hollner	
D595,666	S	7/2009	Hollner	
D596,140	S	7/2009	Hollner	
D604,743	S	11/2009	Altonen et al.	
D612,400	S	3/2010	Altonen et al.	
D613,305	S	4/2010	Altonen et al.	
D622,673	S *	8/2010	Maurer et al.	D13/162
7,796,057	B2	9/2010	Swatsky et al.	
D624,881	S	10/2010	Altonen et al.	
D624,882	S	10/2010	Altonen et al.	
D625,273	S	10/2010	Felegy et al.	
D633,448	S	3/2011	Biery et al.	
D651,571	S *	1/2012	Feldstein et al.	D13/164
D651,572	S *	1/2012	Feldstein et al.	D13/164
D651,573	S *	1/2012	Feldstein et al.	D13/164
D651,574	S *	1/2012	Feldstein et al.	D13/164
D651,575	S *	1/2012	Feldstein et al.	D13/164
D651,576	S *	1/2012	Feldstein et al.	D13/164
D651,577	S *	1/2012	Feldstein et al.	D13/164
D651,578	S *	1/2012	Feldstein et al.	D13/164
D651,579	S *	1/2012	Feldstein et al.	D13/164
D651,580	S *	1/2012	Feldstein et al.	D13/164
D651,983	S *	1/2012	Feldstein et al.	D13/164
D651,984	S *	1/2012	Feldstein et al.	D13/164
D651,985	S *	1/2012	Feldstein et al.	D13/164
D651,986	S *	1/2012	Feldstein et al.	D13/164
D652,805	S *	1/2012	Feldstein et al.	D13/164
D652,806	S *	1/2012	Feldstein et al.	D13/164
D653,220	S *	1/2012	Feldstein et al.	D13/164
D657,319	S *	4/2012	Feldstein et al.	D13/164
8,149,591	B2 *	4/2012	Feldstein et al.	361/810
8,289,192	B2 *	10/2012	O'Donnell	341/22

8,289,716	B2 *	10/2012	Patel et al.	361/728
2002/0060530	A1	5/2002	Sembhi et al.	
2005/0284738	A1	12/2005	Altonen et al.	
2008/0111501	A1 *	5/2008	Dobbins et al.	315/294
2008/0237010	A1	10/2008	Patel et al.	
2010/0214756	A1	8/2010	Feldstein	

OTHER PUBLICATIONS

Crestron Electronics, Inc., Cameo Keypads Operations and Installation Guide, Feb. 2006, pp. front, cover, i, 1-8, rear cover.
Exhibit A—*Lutron Electronics v. Crestron Electronics CV 2:09-cv-07*, Third Amended Complaint.

* cited by examiner

Primary Examiner — Selina Sikder
(74) *Attorney, Agent, or Firm* — Crestron Electronics Inc.

(57) **CLAIM**

The ornamental design for a wall mounted button panel, as shown and described.

DESCRIPTION

FIG. 1 shows a front elevational view of a first embodiment of a wall mounted button panel, with elements in dashed lines forming no part of the claimed design.
FIG. 2 shows an isometric projection of the wall mounted button panel of FIG. 1, with elements in dashed lines forming no part of the claimed design.
FIG. 3 shows a left side elevational view of the wall mounted button panel of FIG. 1, with elements in dashed lines forming no part of the claimed design.
FIG. 4 shows a right side elevational view of the wall mounted button panel of FIG. 1, with elements in dashed lines forming no part of the claimed design.
FIG. 5 shows a top plan view of the wall mounted button panel of FIG. 1, with elements in dashed lines forming no part of the claimed design.
FIG. 6 shows a bottom plan view of the wall mounted button panel of FIG. 1, with elements in dashed lines forming no part of the claimed design.
FIG. 7 shows a front elevational view of another embodiment of a wall mounted button panel, with elements in dashed lines forming no part of the claimed design.
FIG. 8 shows an isometric projection of the wall mounted button panel of FIG. 7, with elements in dashed lines forming no part of the claimed design.
FIG. 9 shows a left side elevational view of the wall mounted button panel of FIG. 7, with elements in dashed lines forming no part of the claimed design.
FIG. 10 shows a right side elevational view of the wall mounted button panel of FIG. 7, with elements in dashed lines forming no part of the claimed design.
FIG. 11 shows a top plan view of the wall mounted button panel of FIG. 7, with elements in dashed lines forming no part of the claimed design; and,
FIG. 12 shows a bottom plan view of the wall mounted button panel of FIG. 7, with elements in dashed lines forming no part of the claimed design.

1 Claim, 8 Drawing Sheets

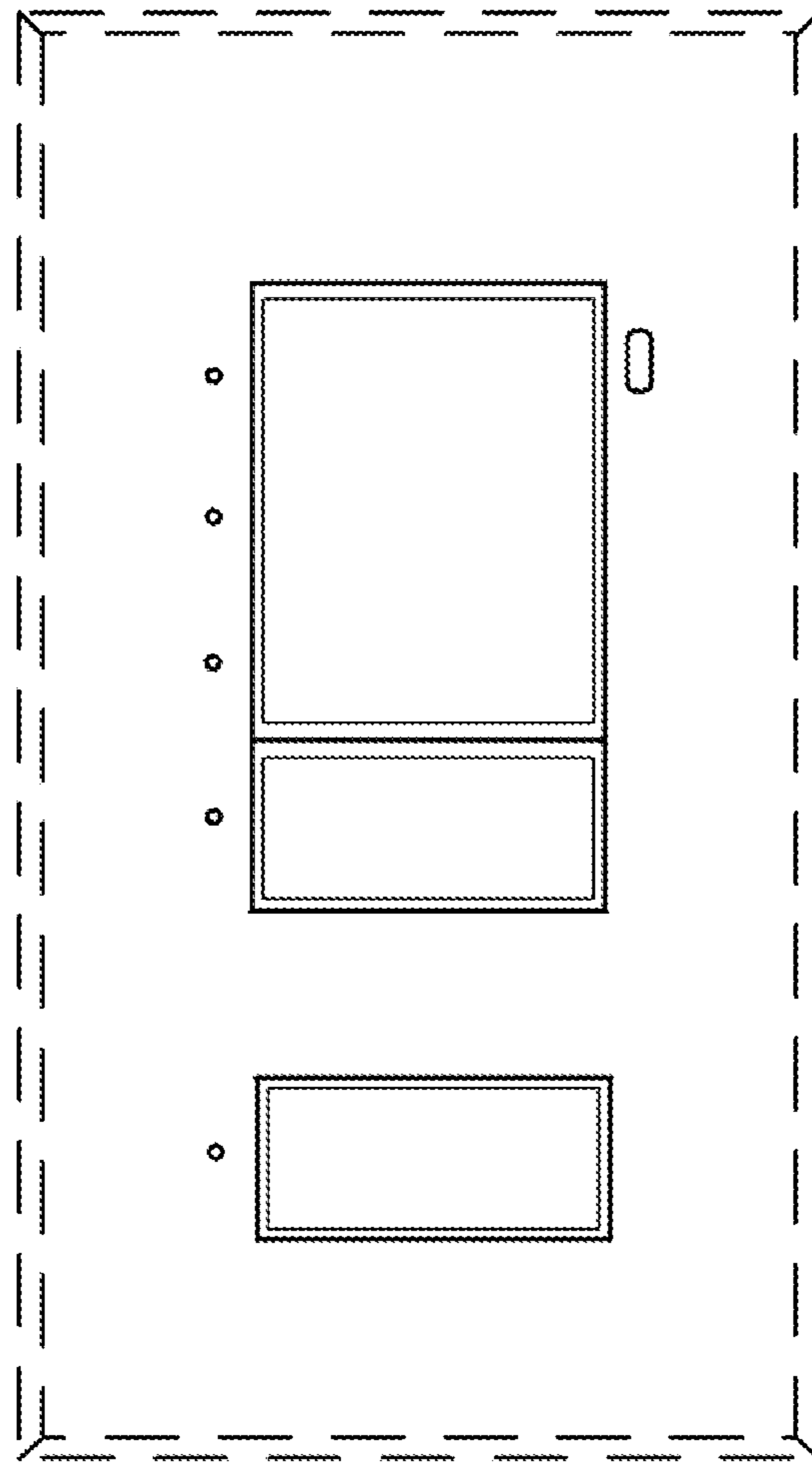


FIG. 1

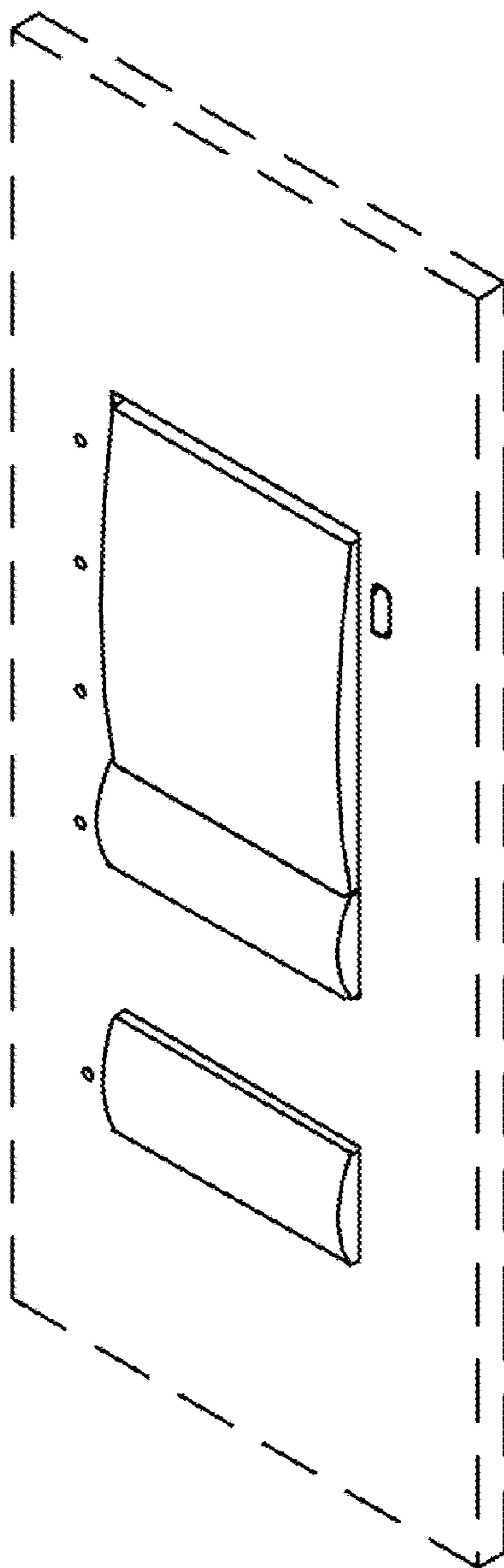


FIG. 2

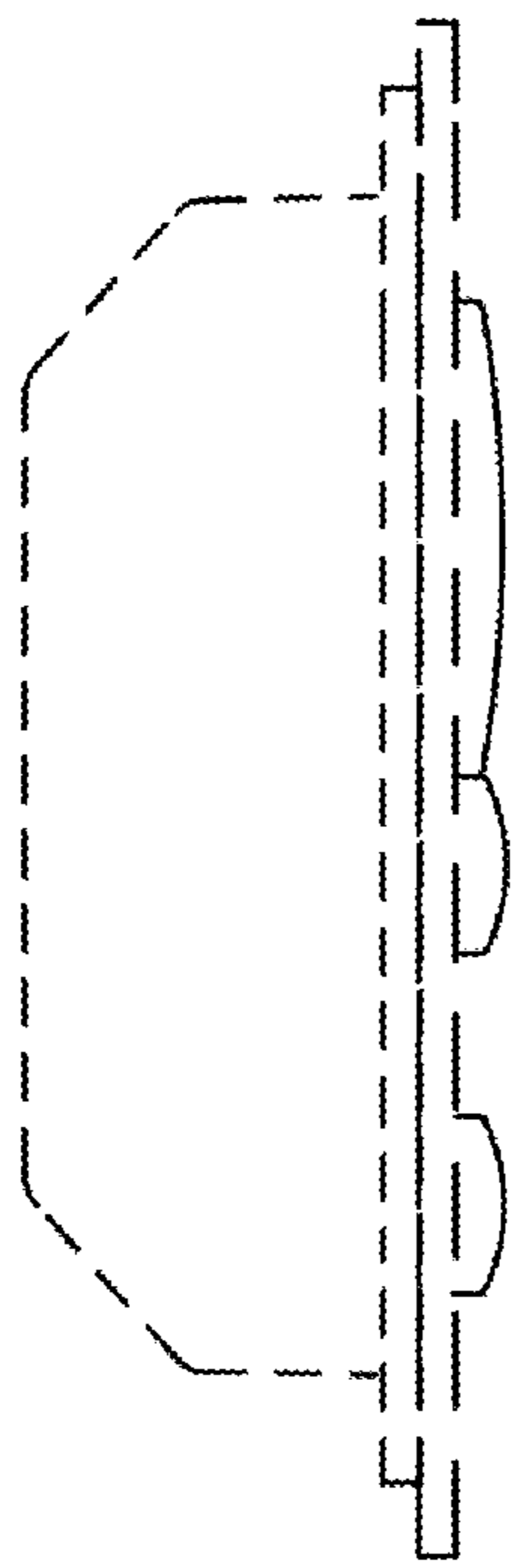


FIG. 3

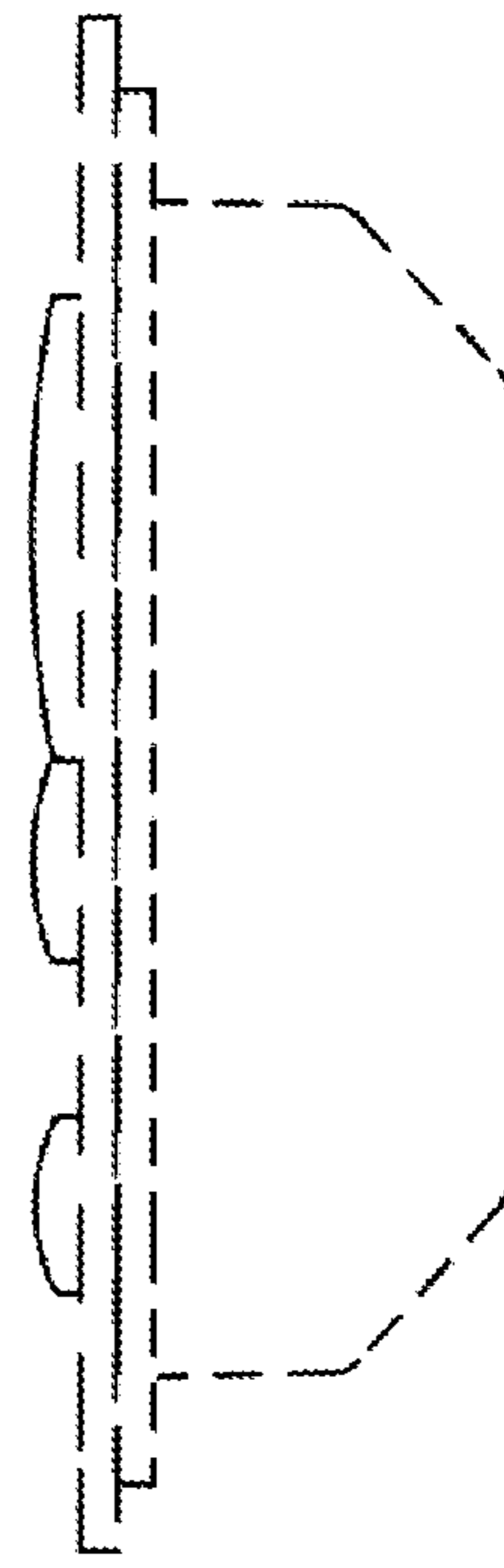


FIG. 4

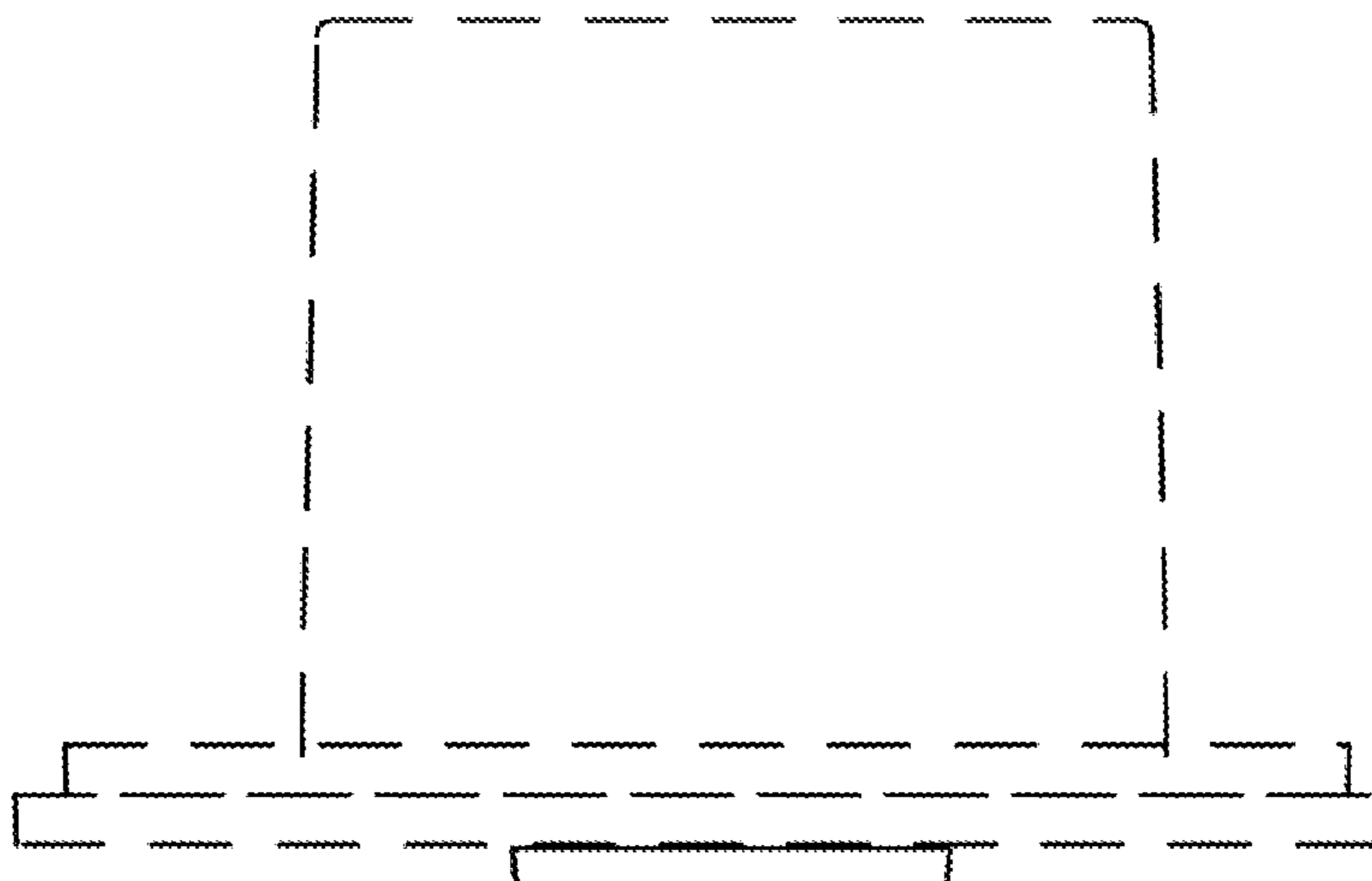


FIG. 5

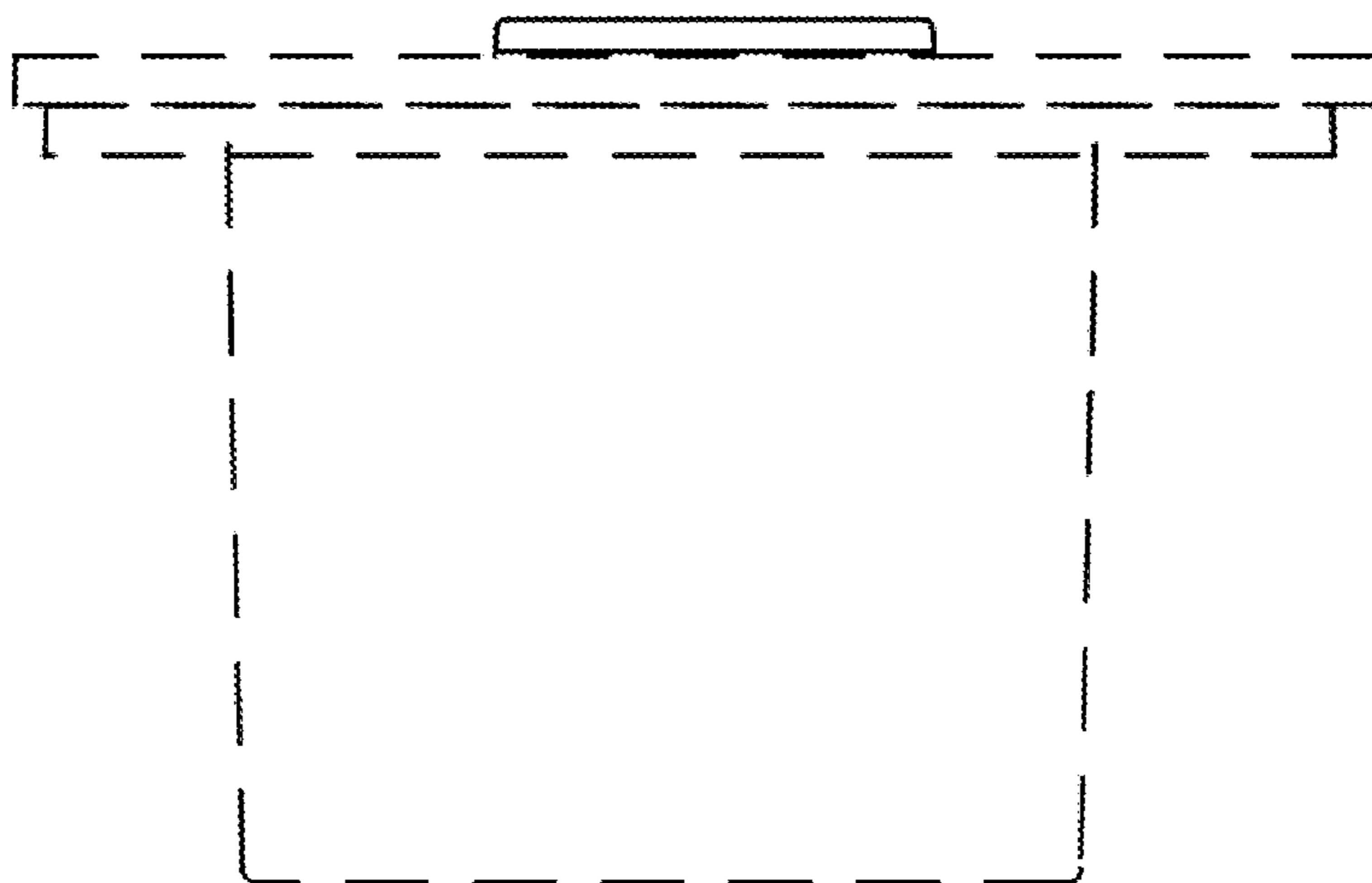


FIG. 6

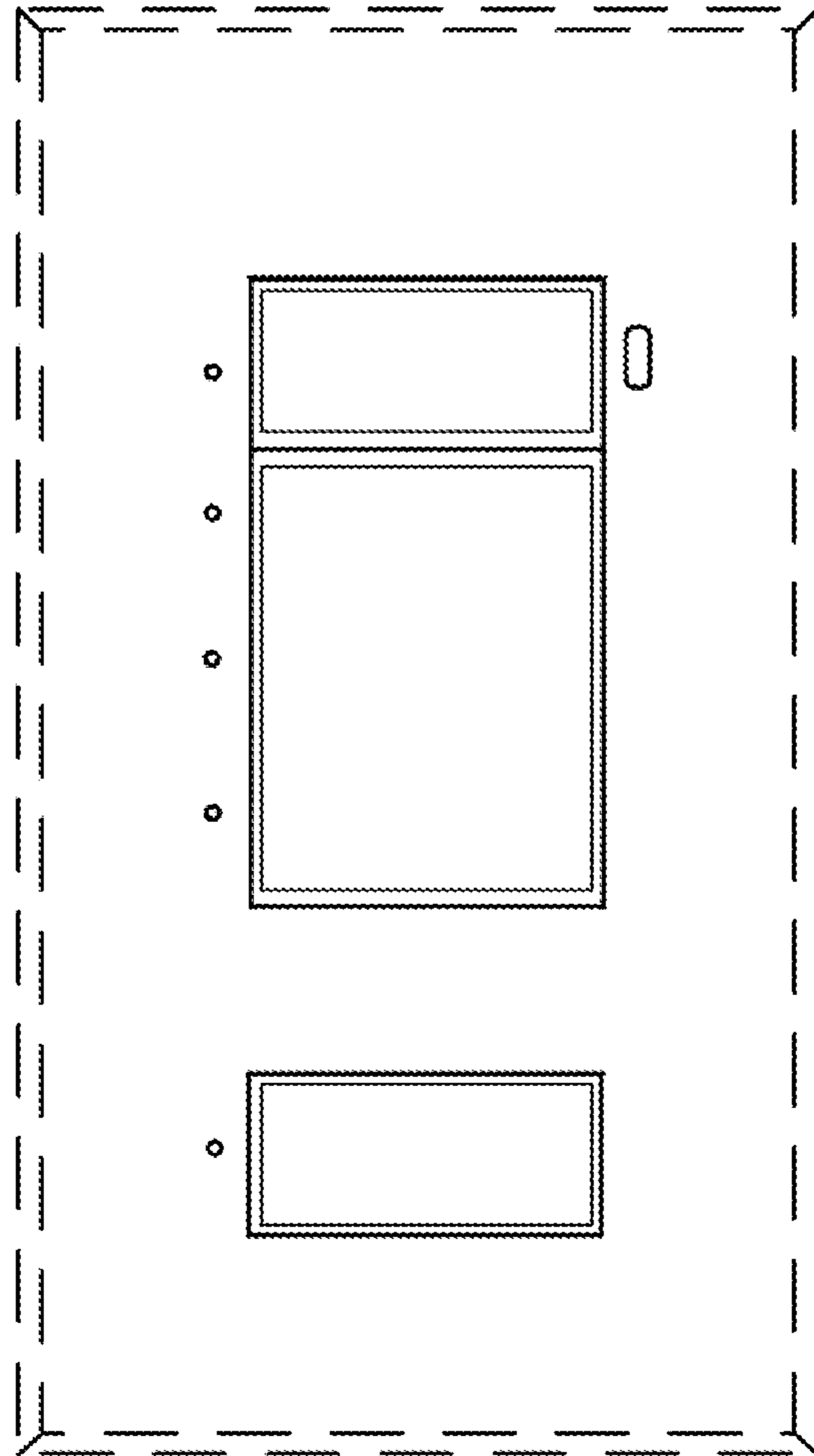


FIG. 7

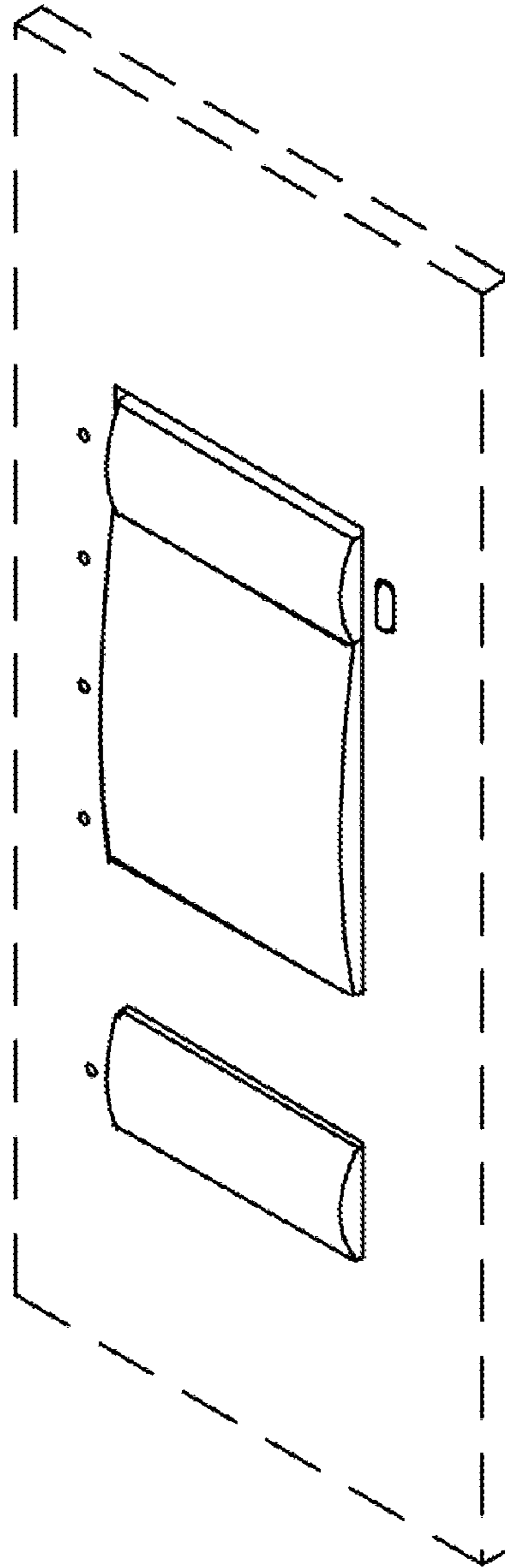


FIG. 8

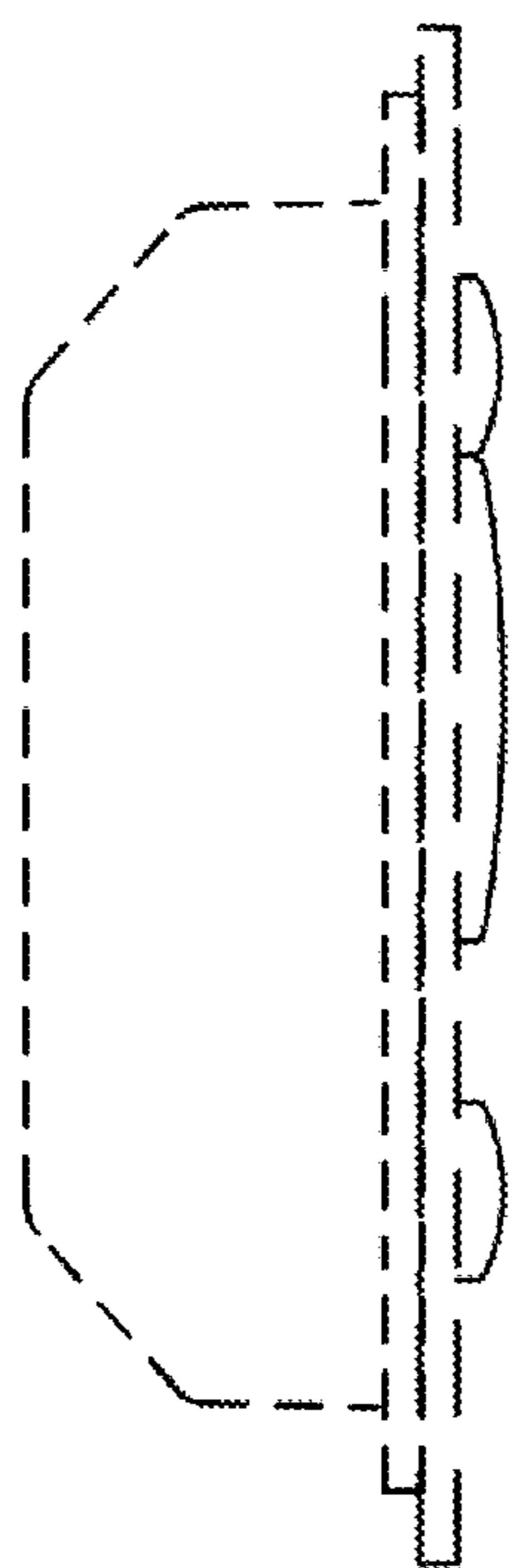


FIG. 9

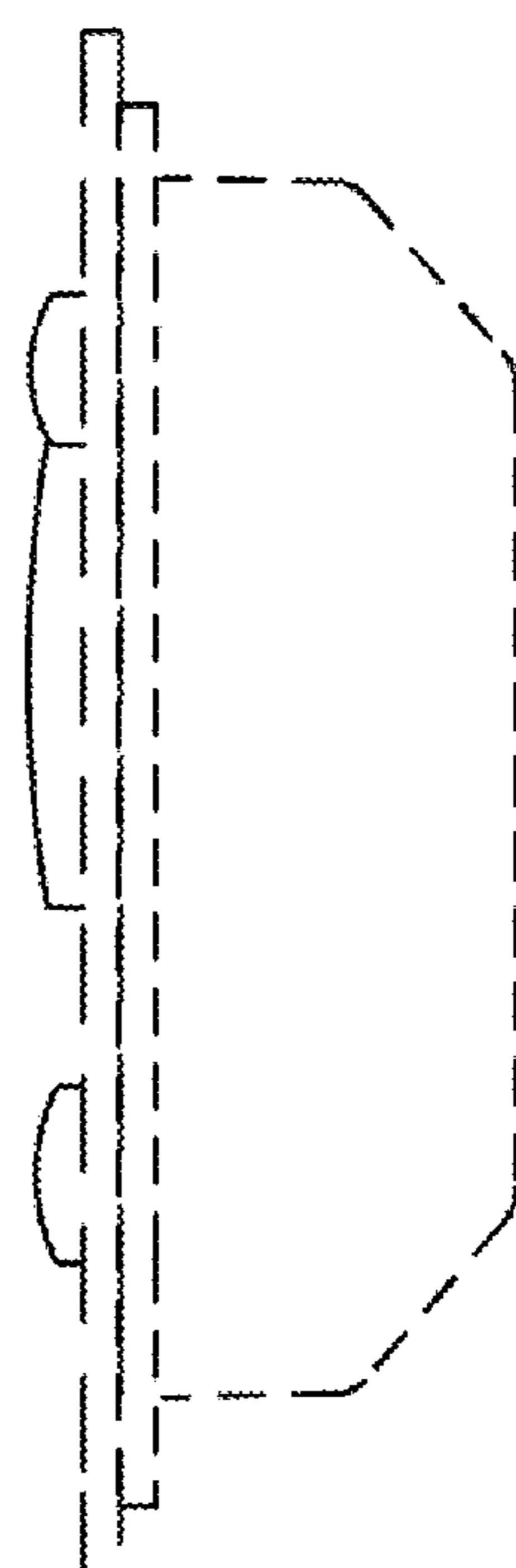


FIG. 10

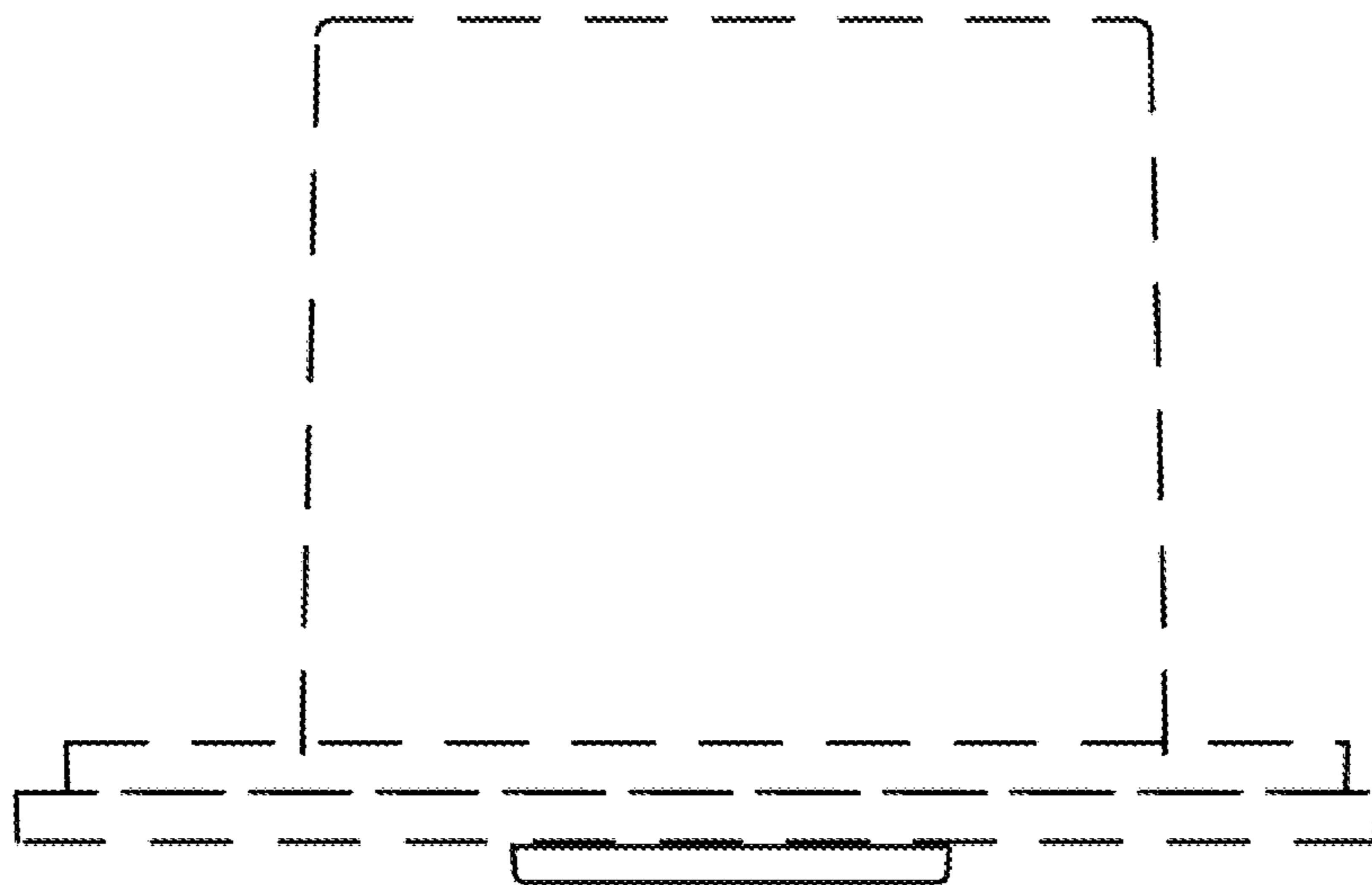


FIG. 11

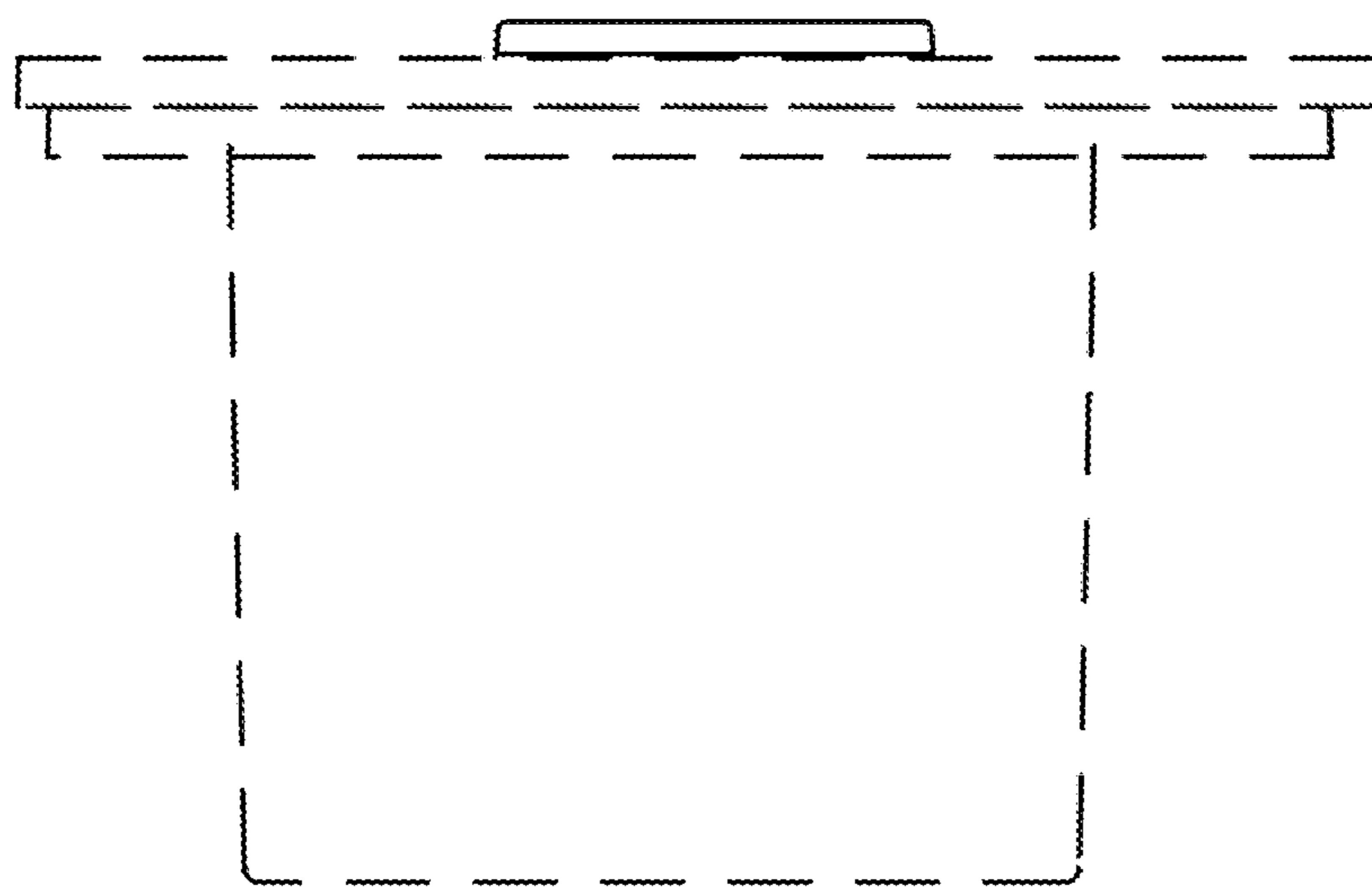


FIG. 12