



US00D686165S

(12) **United States Design Patent**
Bullock et al.

(10) **Patent No.:** **US D686,165 S**
(45) **Date of Patent:** **** Jul. 16, 2013**

(54) **SWITCHGEAR**

(75) Inventors: **Scott A. Bullock**, Bristol, VA (US);
Garry F. Raines, Bristol, TN (US)

(73) Assignee: **Electro-Mechanical Corporation**,
Bristol, VA (US)

(**) Term: **14 Years**

(21) Appl. No.: **29/409,091**

(22) Filed: **Dec. 20, 2011**

(51) **LOC (9) Cl.** **13-03**

(52) **U.S. Cl.**
USPC **D13/158**

(58) **Field of Classification Search**
USPC D13/120, 158, 160, 184, 199; 218/118,
218/119, 7, 77, 78, 79, 2, 102; 251/172;
361/605, 612
See application file for complete search history.

(56) **References Cited**

U.S. PATENT DOCUMENTS

2,009,815	A	*	7/1935	Powers	200/15
D321,508	S	*	11/1991	Ramos	D13/160
5,350,892	A	*	9/1994	Rozier	218/119
D562,255	S	*	2/2008	Osumi et al.	D13/158
D562,256	S	*	2/2008	Osumi et al.	D13/158
D562,776	S	*	2/2008	Osumi et al.	D13/158
D670,657	S	*	11/2012	Sabani et al.	D13/158

OTHER PUBLICATIONS

Tavrida Electric "LD Series Circuit Breakers" internet web page
http://tavrida-na.com/cb_Id-htm. Retrieved Nov. 31, 2011.
Tavrida Product Brochure downloaded from tavrida-na.com/downloads.htm (2011).
Two-page brochure titled "27kV Vacuum Circuit Breaker" describing one of applicant's prior devices combining a visible disconnect

switch and an interrupter in the form of a vacuum circuit breaker. Date is prior to Dec. 20, 2010.

* cited by examiner

Primary Examiner — Thomas Johannes

(74) *Attorney, Agent, or Firm* — The Van Winkle Law Firm; Steven C. Schnedler

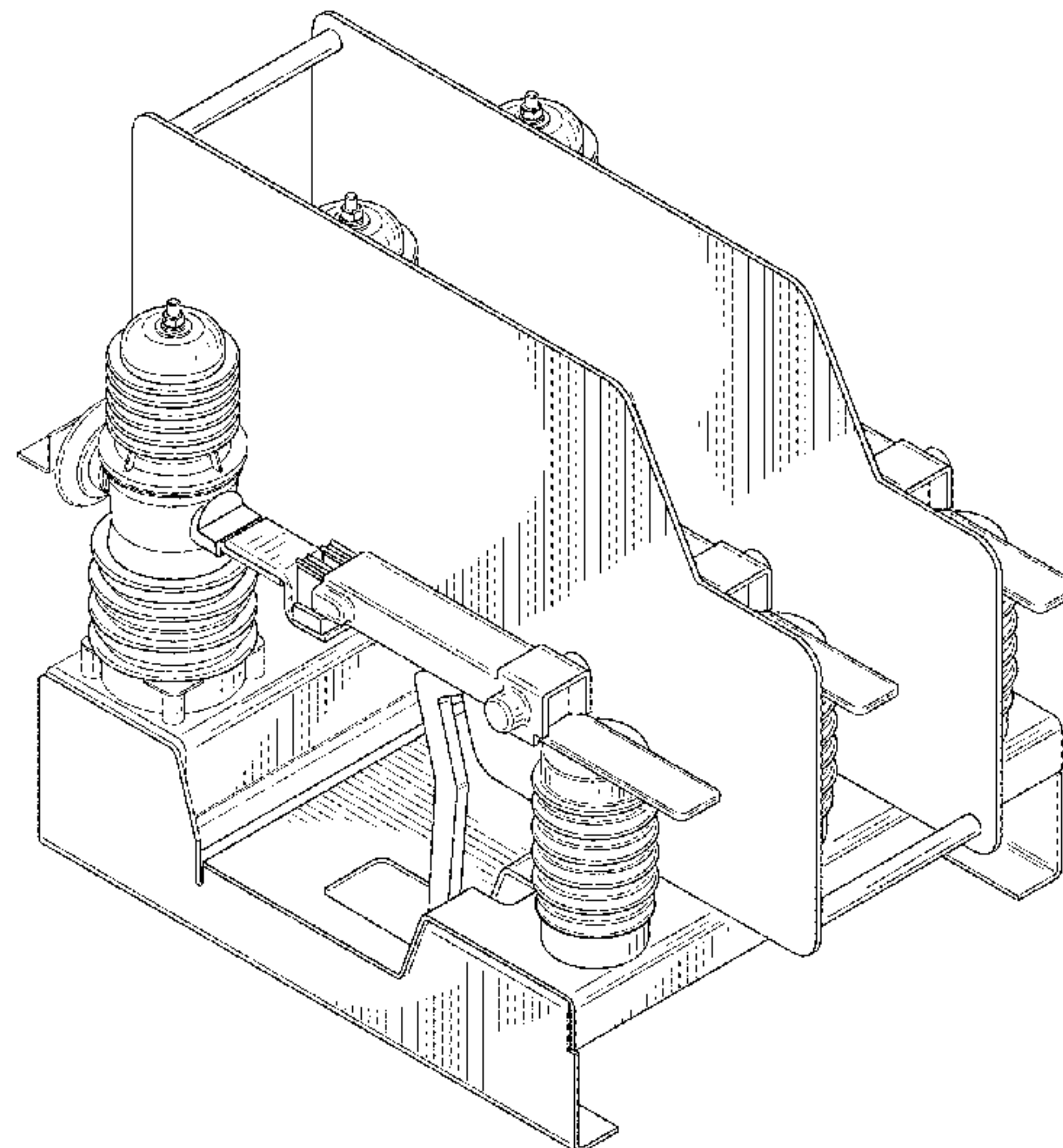
(57) **CLAIM**

The ornamental design for switchgear, as shown and described.

DESCRIPTION

FIG. 1 is a three-dimensional view generally from the top right rear of switchgear in its switch-closed configuration; FIG. 2 is a three-dimensional view generally from the top left rear thereof; FIG. 3 is a three-dimensional view generally from the bottom right rear thereof; FIG. 4 is a left side view thereof; FIG. 5 is a right side view thereof; FIG. 6 is a top view thereof; FIG. 7 is a bottom view thereof; FIG. 8 is a rear view thereof; FIG. 9 is a front view thereof; FIG. 10 is a three-dimensional view generally from the top right rear of switchgear in its switch-open configuration; FIG. 11 is a three-dimensional view generally from the top left rear thereof; FIG. 12 is a three-dimensional view generally from the bottom right rear thereof; FIG. 13 is a left side view thereof; FIG. 14 is a right side view thereof; FIG. 15 is a top view thereof; FIG. 16 is a bottom view thereof; FIG. 17 is rear view thereof; and, FIG. 18 is front view thereof.

1 Claim, 18 Drawing Sheets



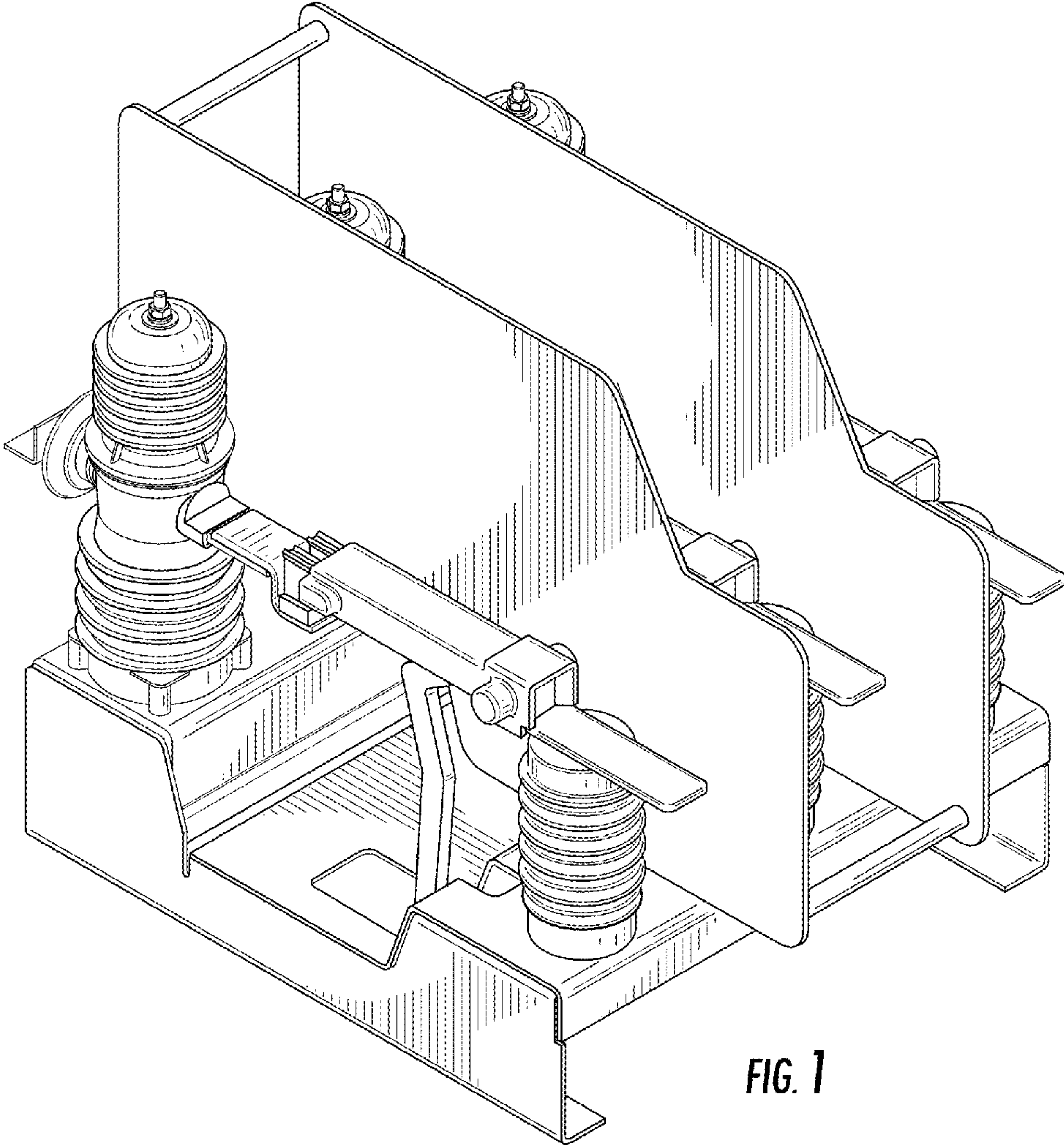


FIG. 1

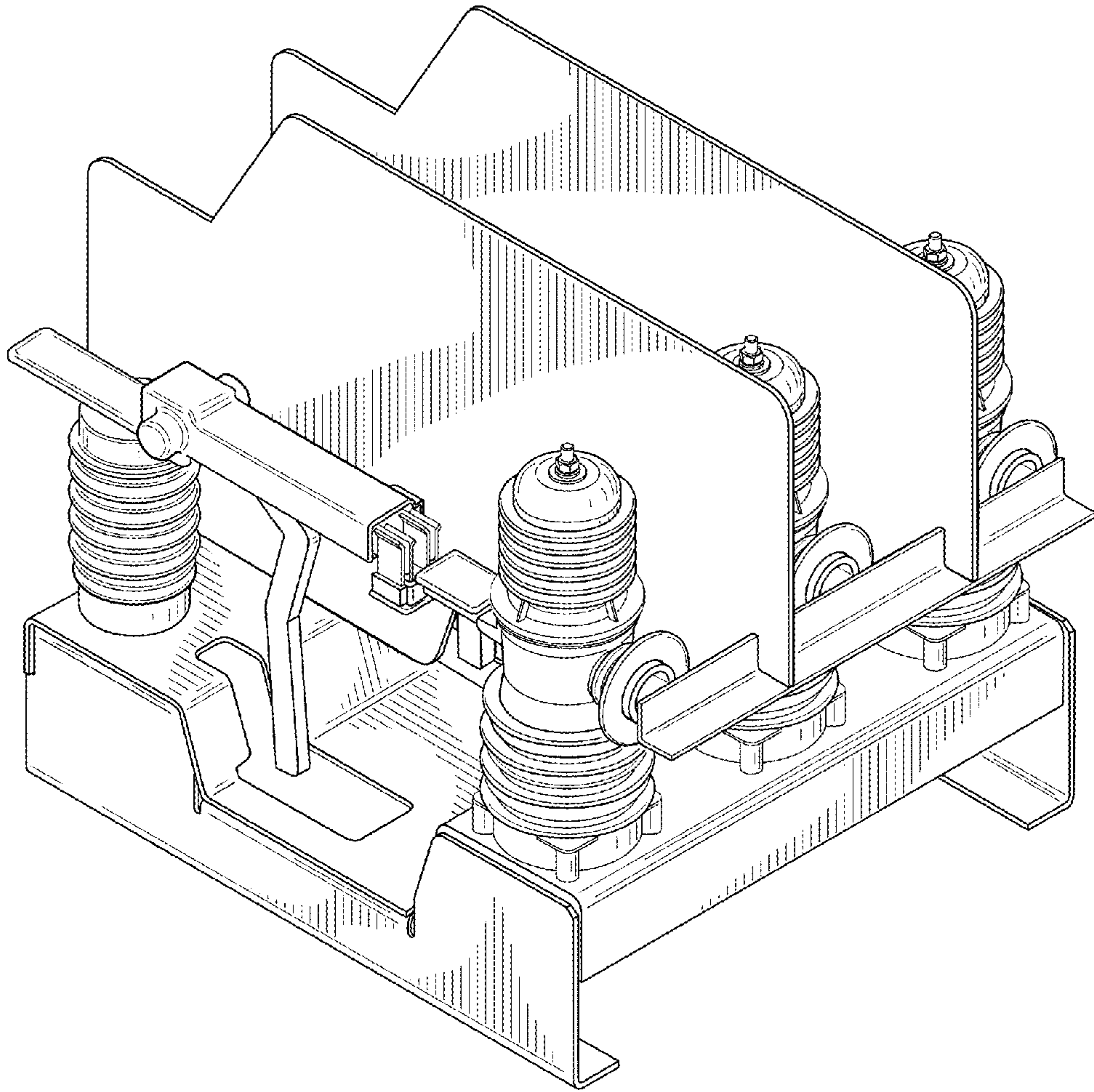


FIG. 2

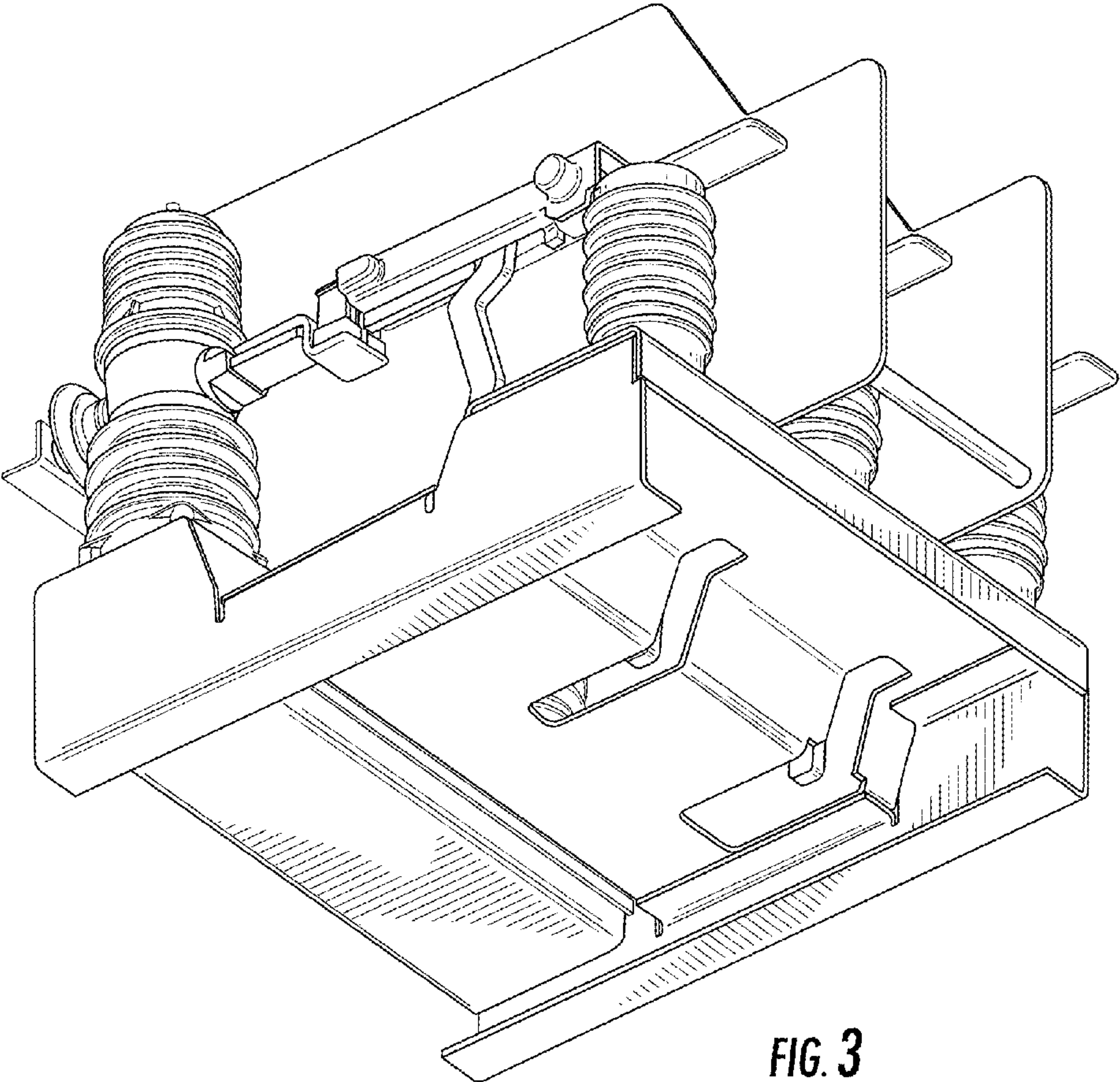


FIG. 3

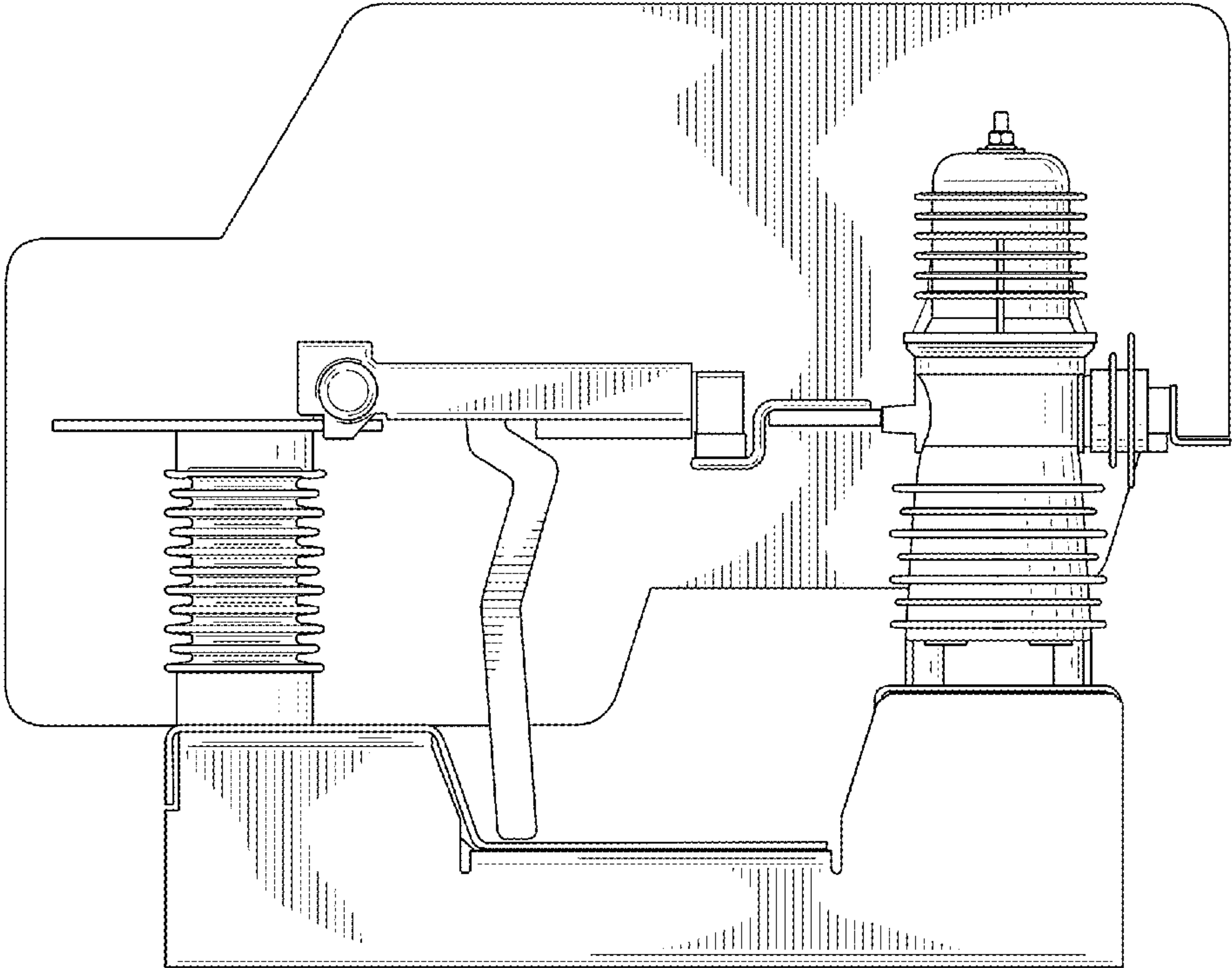


FIG. 4

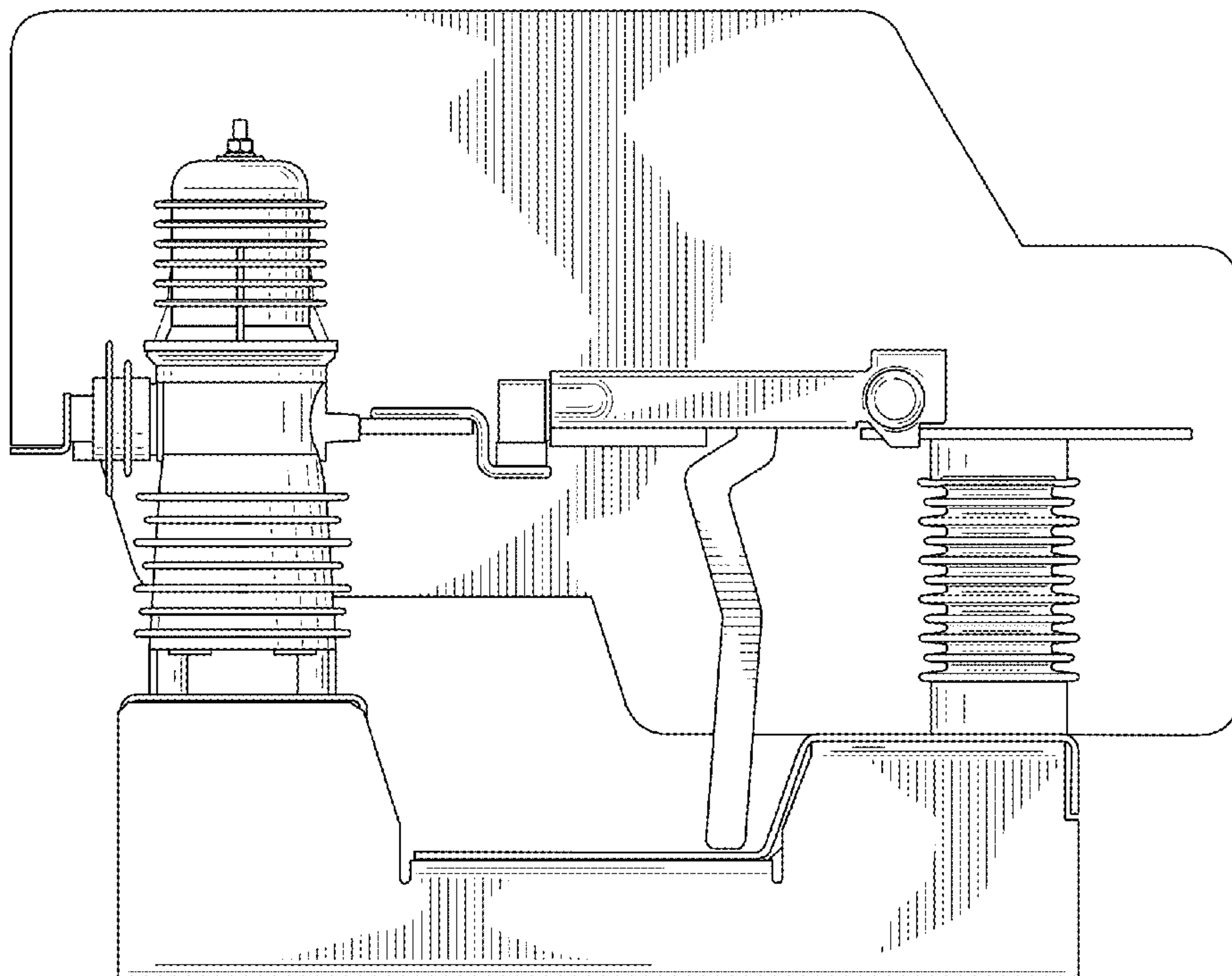


FIG. 5

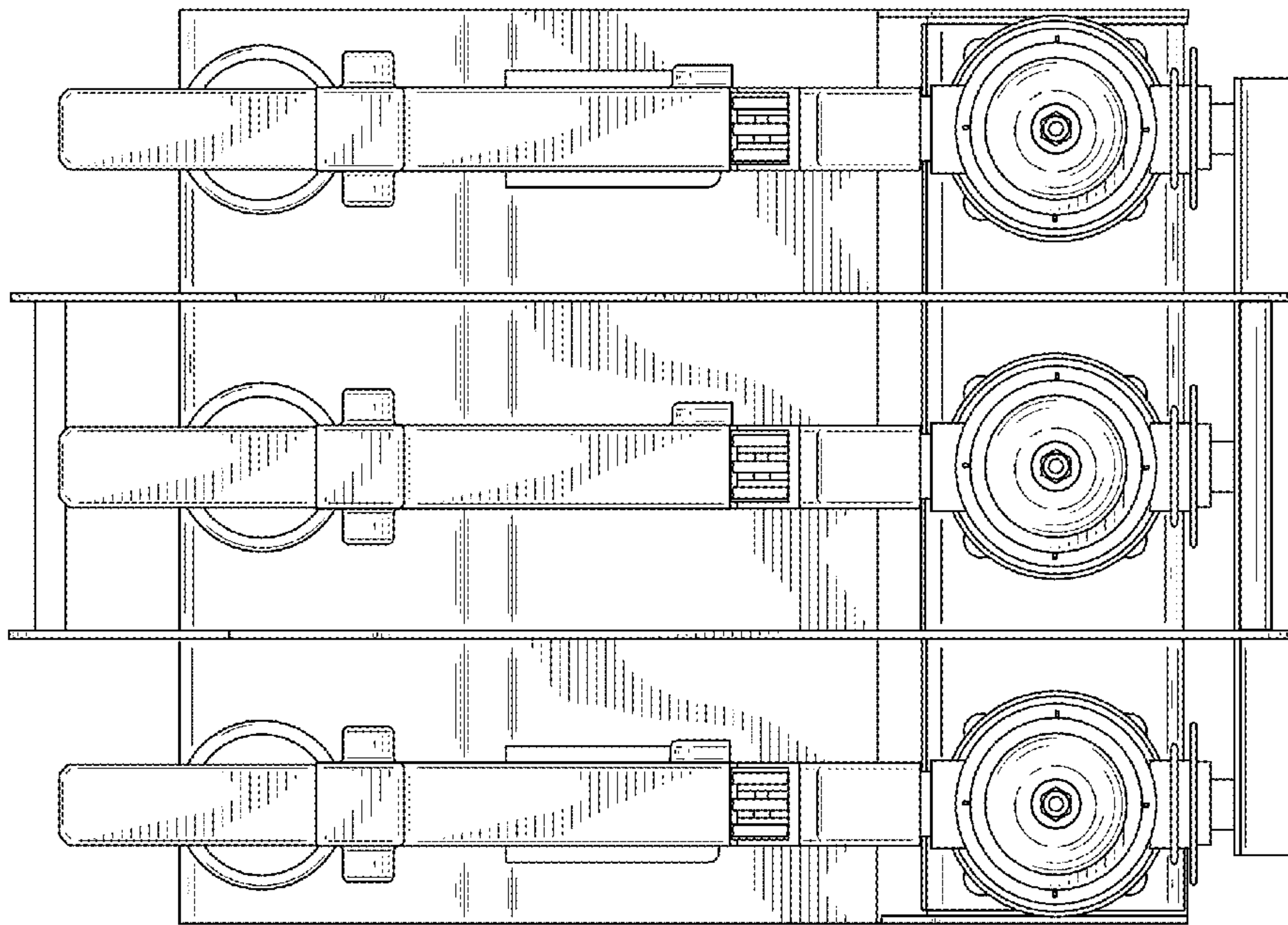


FIG. 6

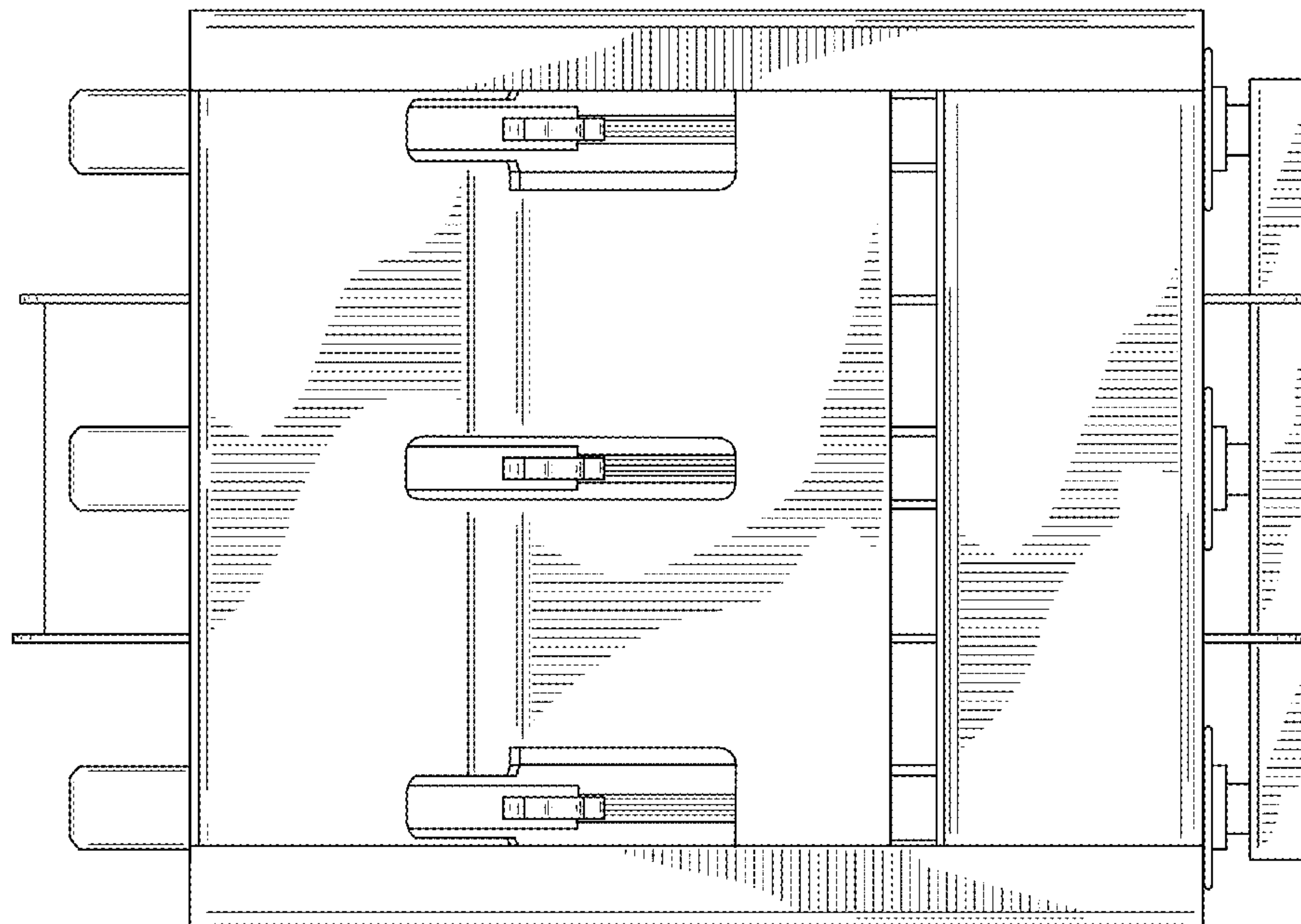


FIG. 7

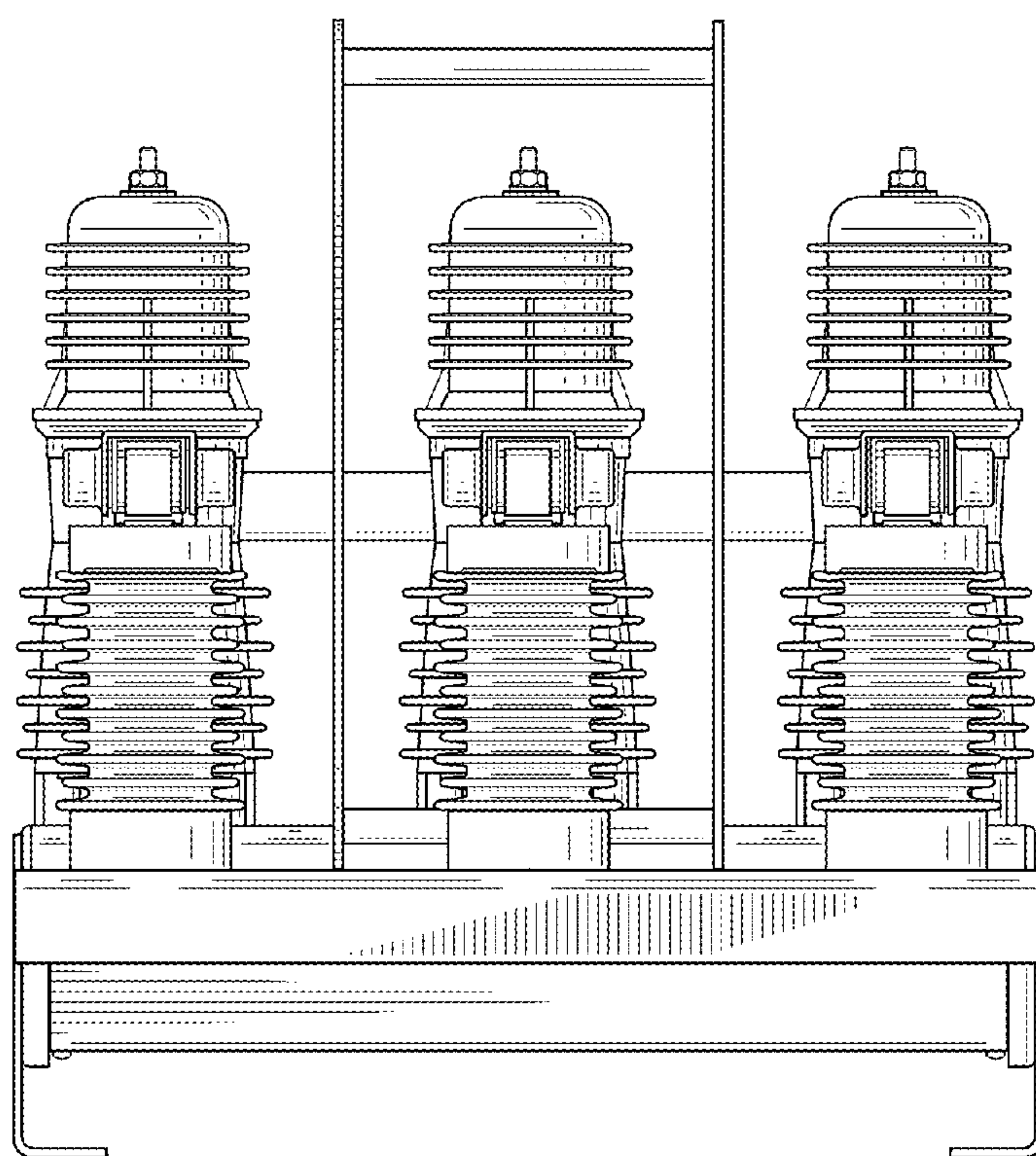


FIG. 8

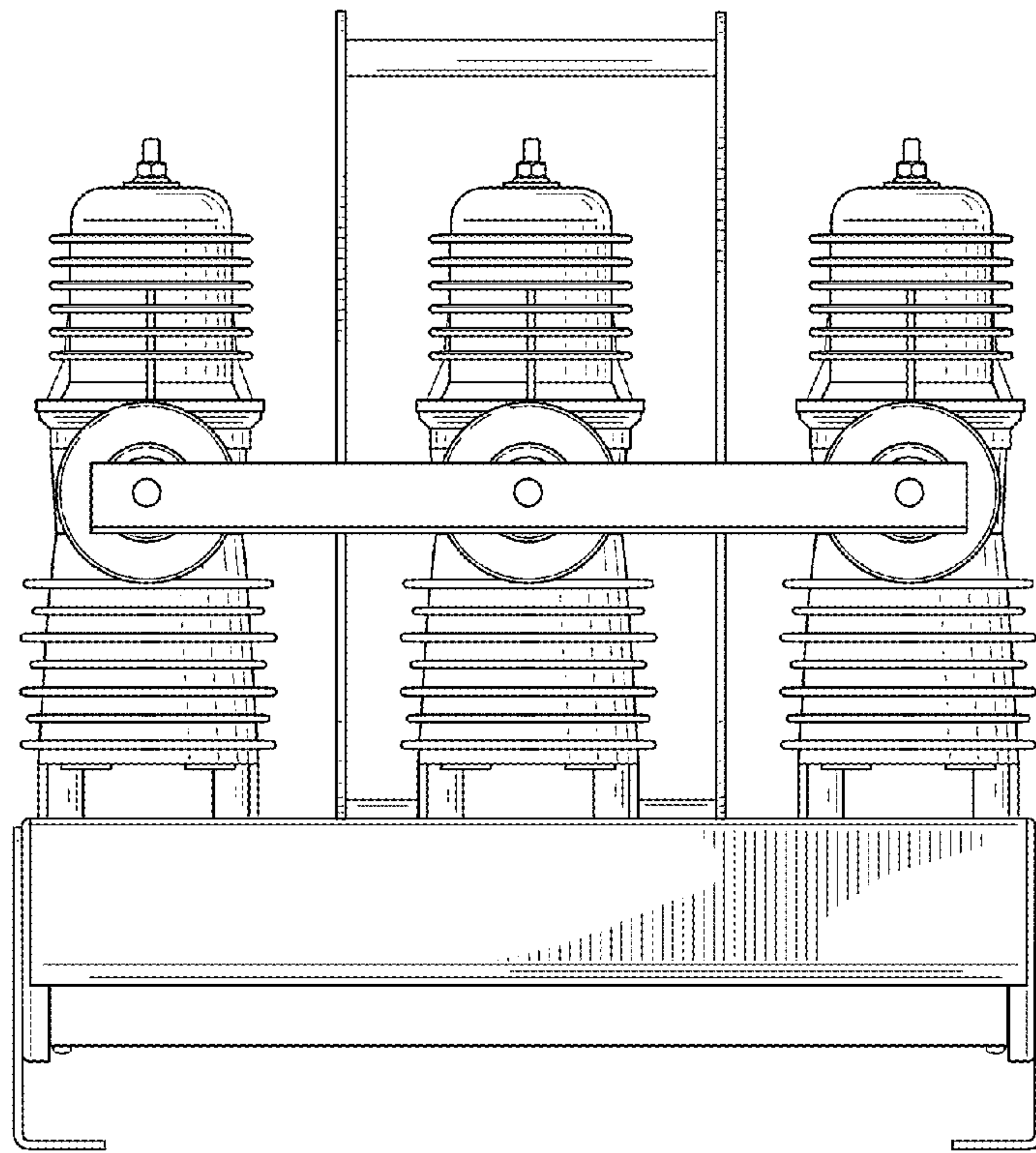


FIG. 9

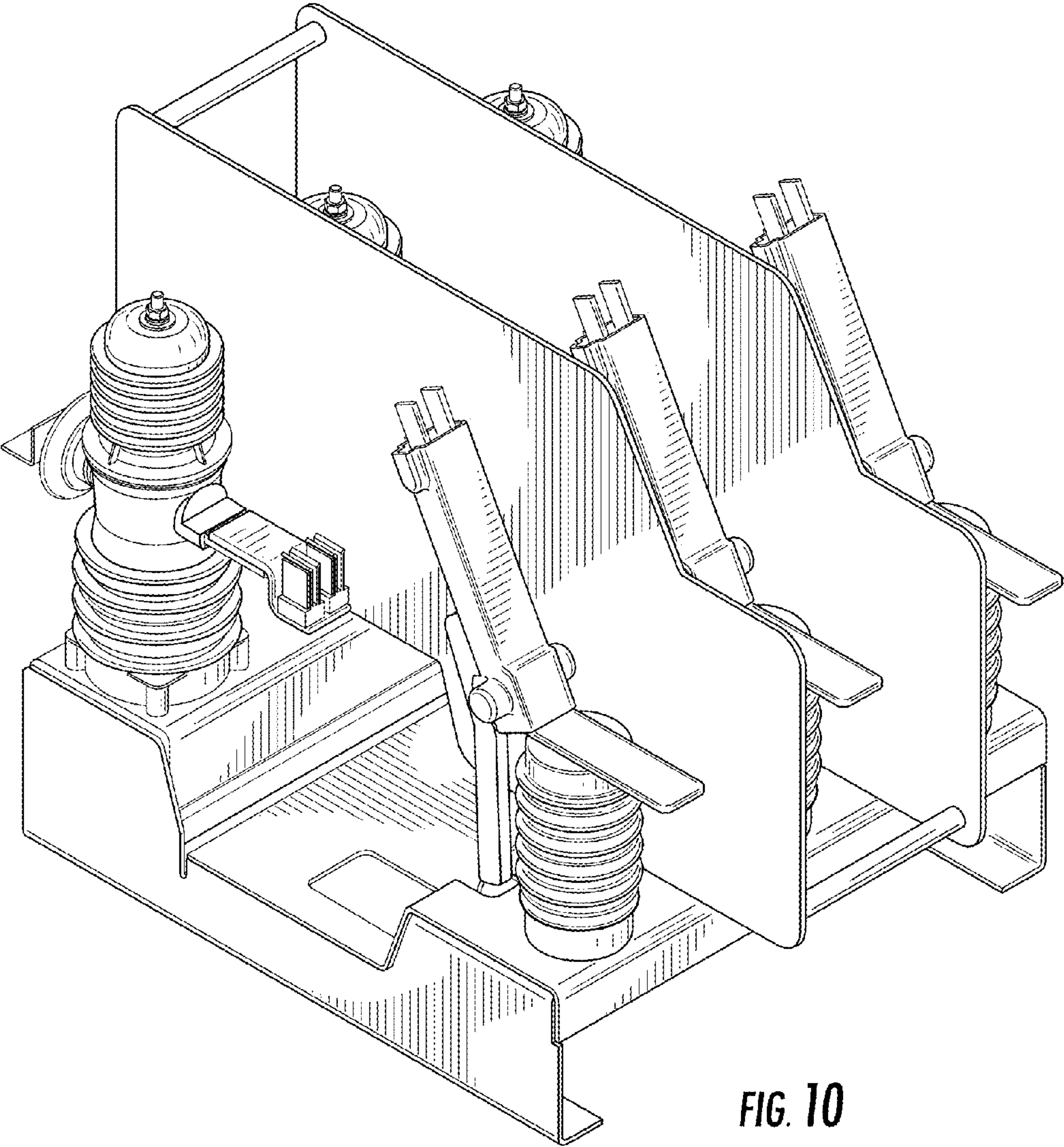


FIG. 10

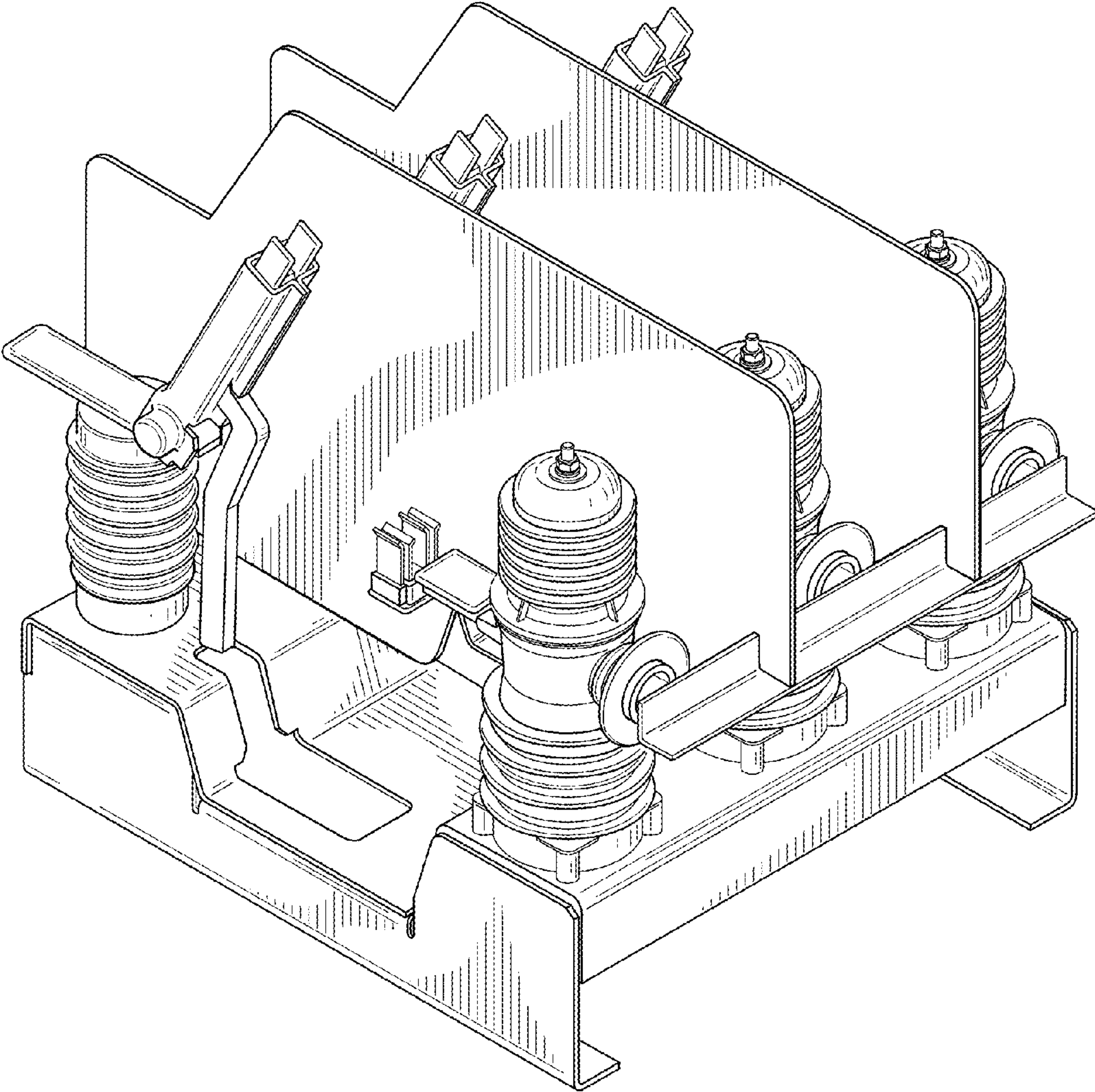


FIG. 11

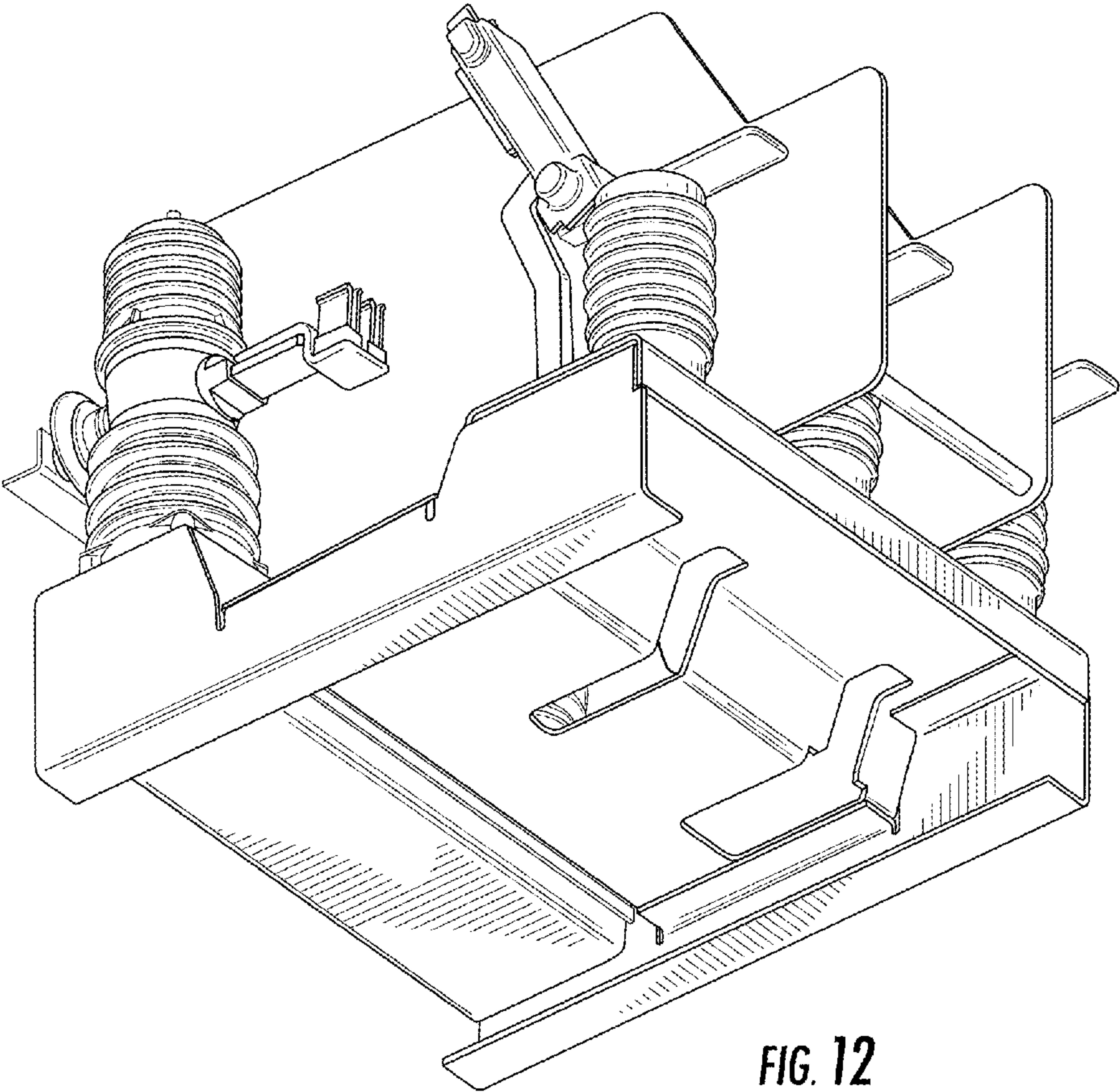


FIG. 12

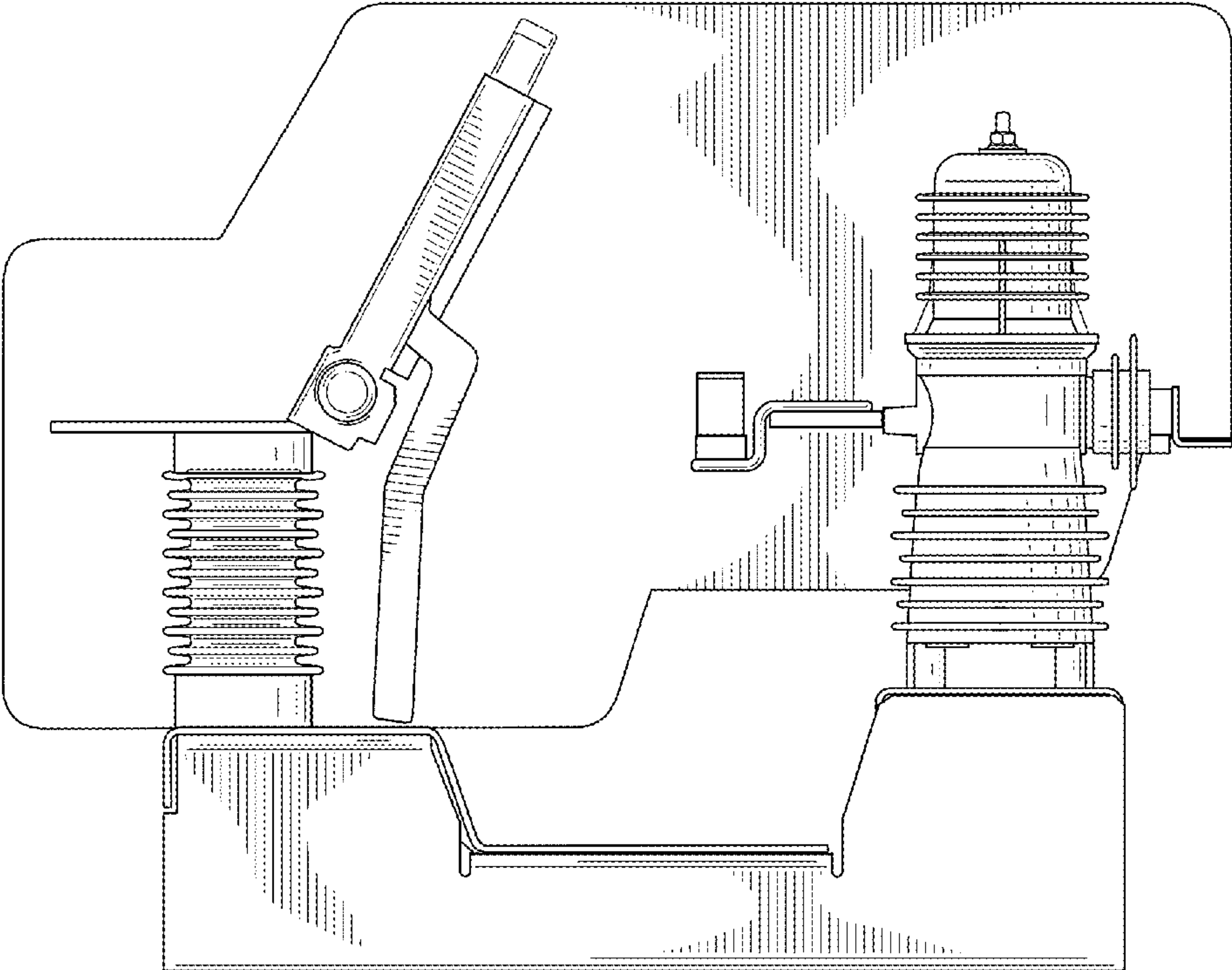


FIG. 13

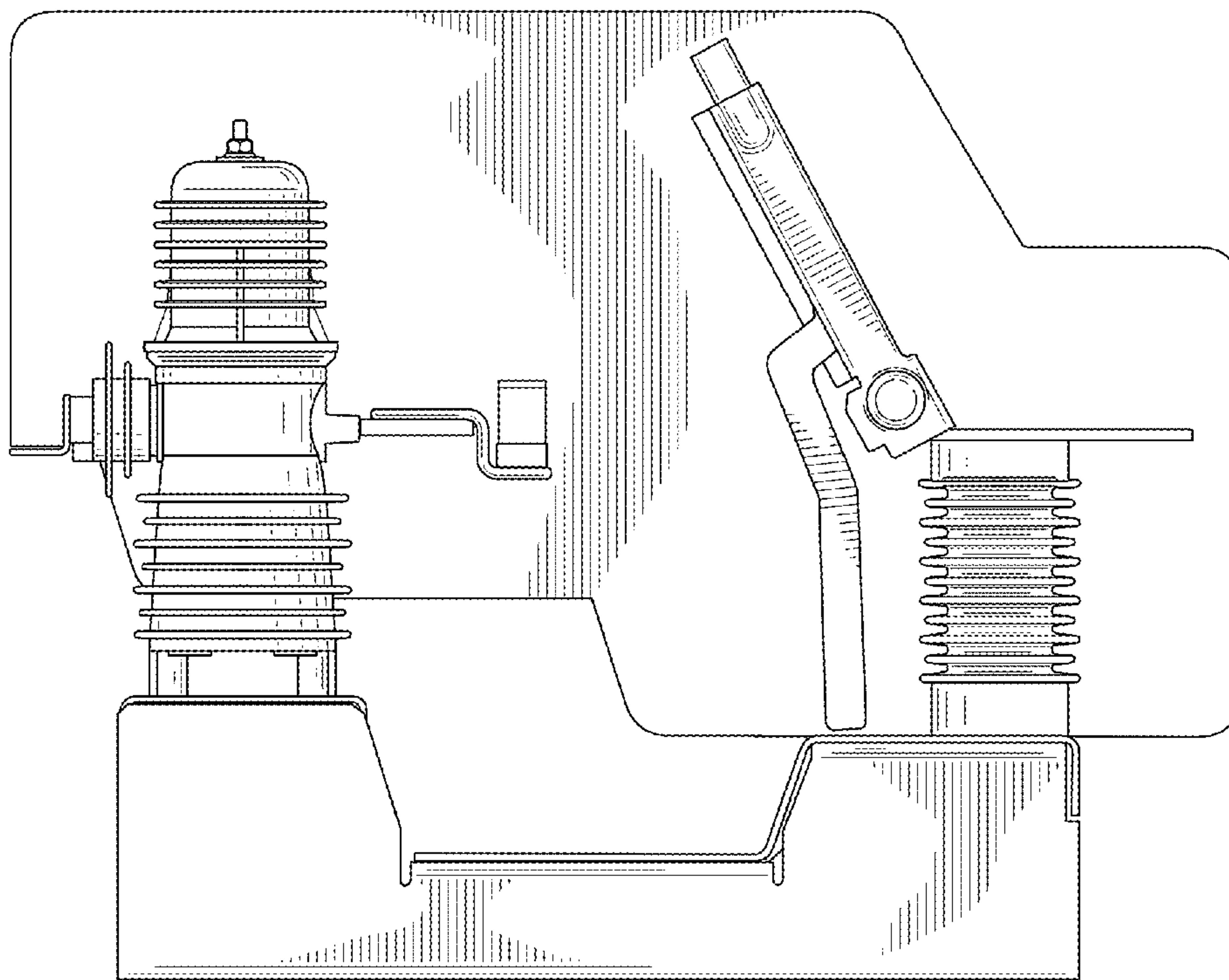


FIG. 14

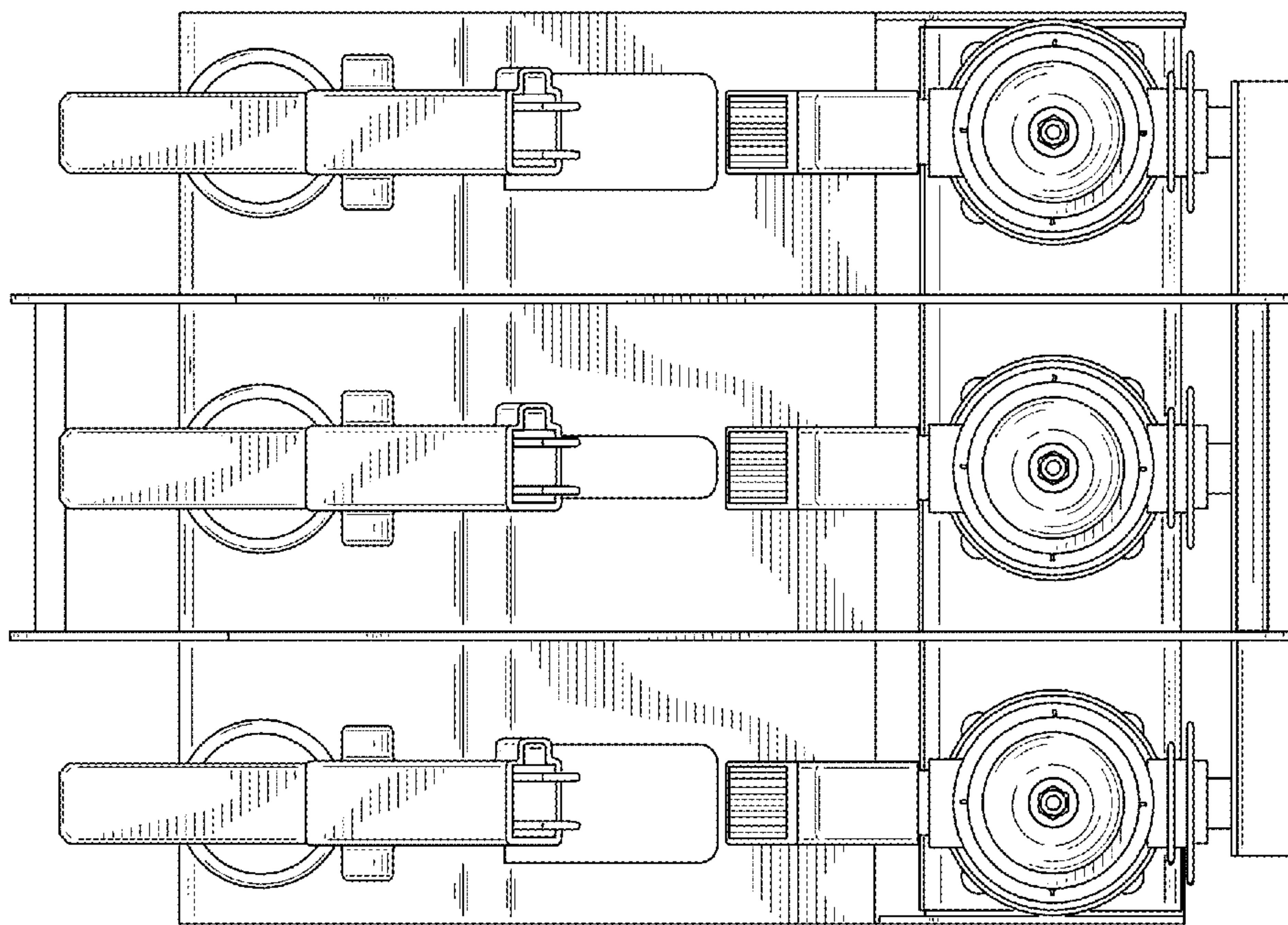


FIG. 15

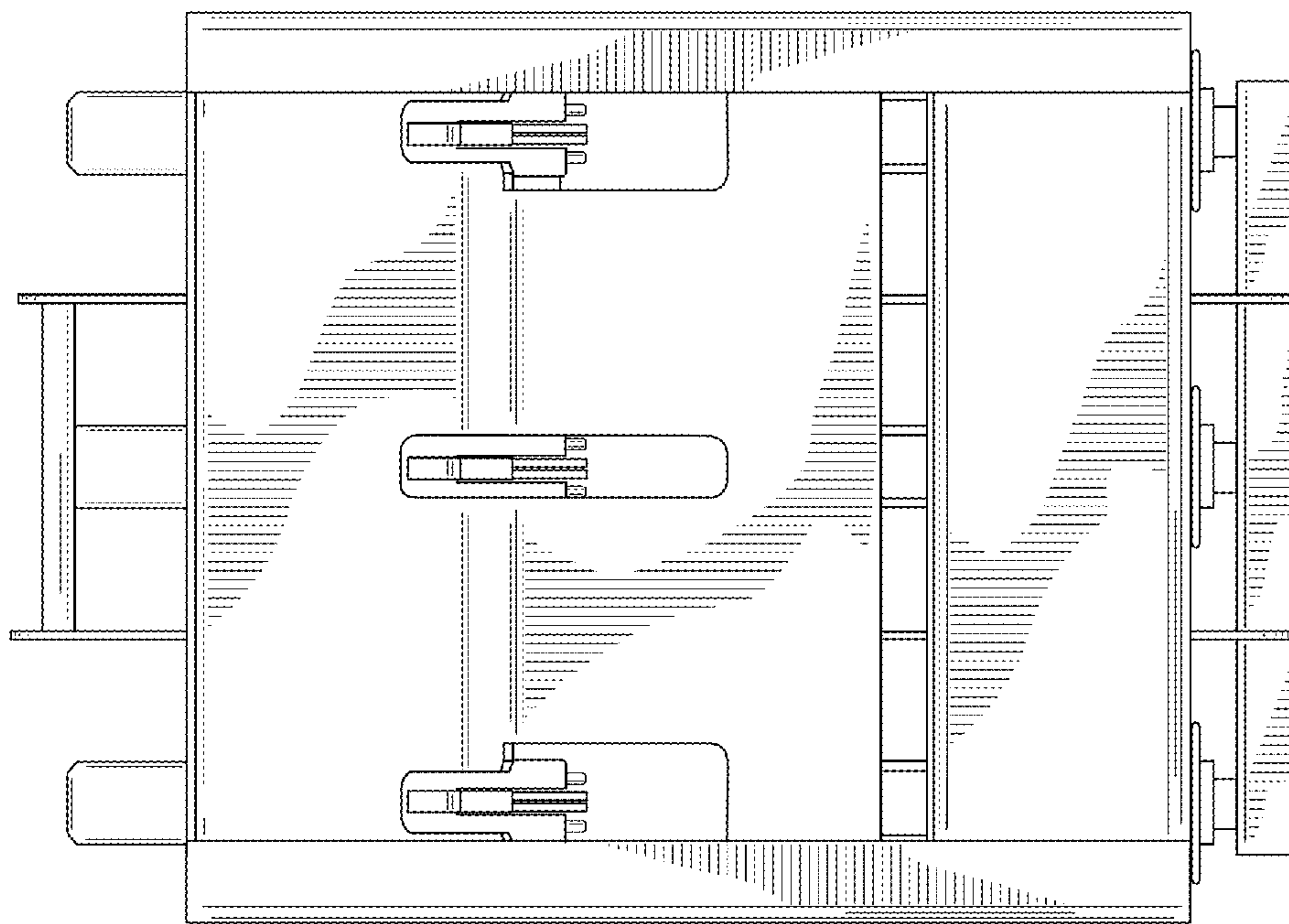


FIG. 16

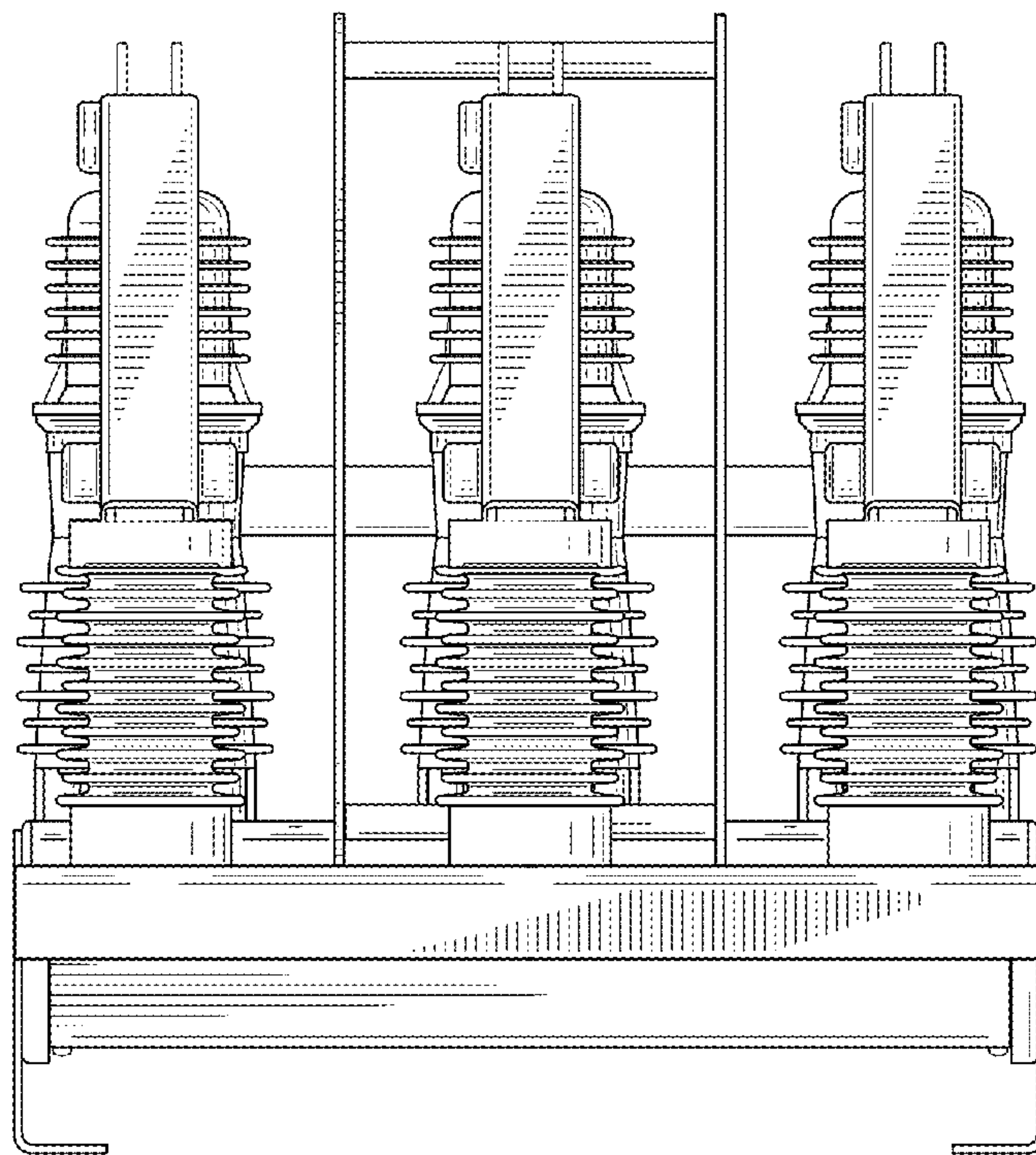


FIG. 17

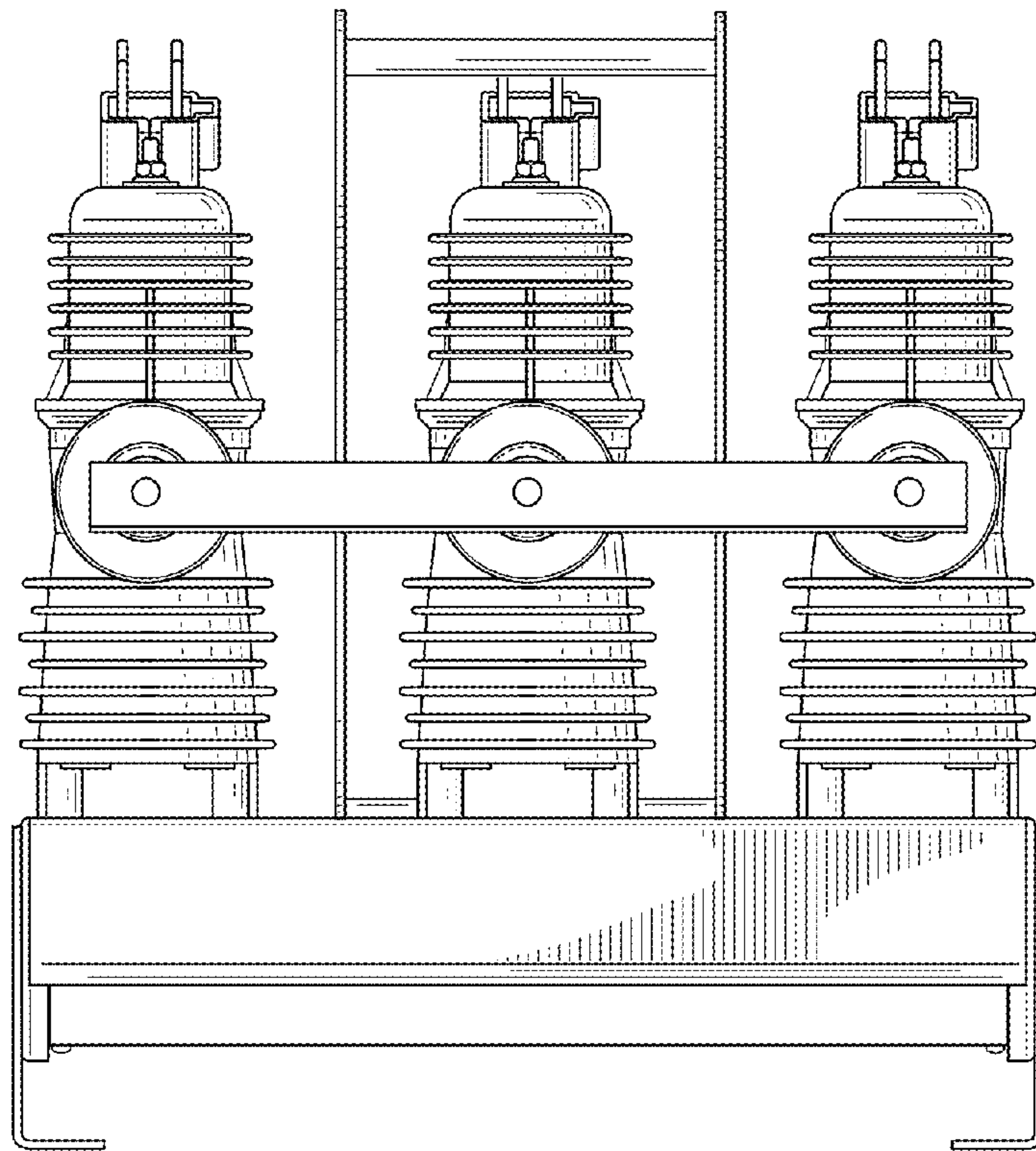


FIG. 18