



US00D686164S

(12) **United States Design Patent**
Haberek et al.

(10) **Patent No.:** **US D686,164 S**
(45) **Date of Patent:** **** *Jul. 16, 2013**

(54) **CLOSED COMPRESSION-TYPE COAXIAL
CABLE CONNECTOR**

(75) Inventors: **Andrew Haberek**, Baldwinsville, NY
(US); **Noah Montena**, Syracuse, NY
(US); **Eric Purdy**, Constantia, NY (US);
Raymond Palinkas, Canastota, NY (US)

(73) Assignee: **PPC Broadband, Inc.**, East Syracuse,
NY (US)

(*) Notice: This patent is subject to a terminal dis-
claimer.

(**) Term: **14 Years**

(21) Appl. No.: **29/389,069**

(22) Filed: **Apr. 6, 2011**

(51) **LOC (9) Cl.** **13-03**

(52) **U.S. Cl.**
USPC **D13/151**

(58) **Field of Classification Search**
USPC ... D13/151, 133, 149, 154, 184, 199; 439/13,
439/20, 22, 133, 135, 246, 306, 321, 322,
439/480, 476.1, 578, 583, 584, 585, 668,
439/805

See application file for complete search history.

(56) **References Cited**

U.S. PATENT DOCUMENTS

D504,402 S * 4/2005 Montena D13/154
D601,966 S * 10/2009 Shaw D13/151

D626,920 S * 11/2010 Purdy et al. D13/151
7,841,896 B2 * 11/2010 Shaw et al. 439/578
D662,893 S * 7/2012 Haberek et al. D13/151
2008/0064259 A1 * 3/2008 Amidon 439/578

* cited by examiner

Primary Examiner — Derrick Holland

(74) *Attorney, Agent, or Firm* — Schmeiser, Olsen & Watts
LLP

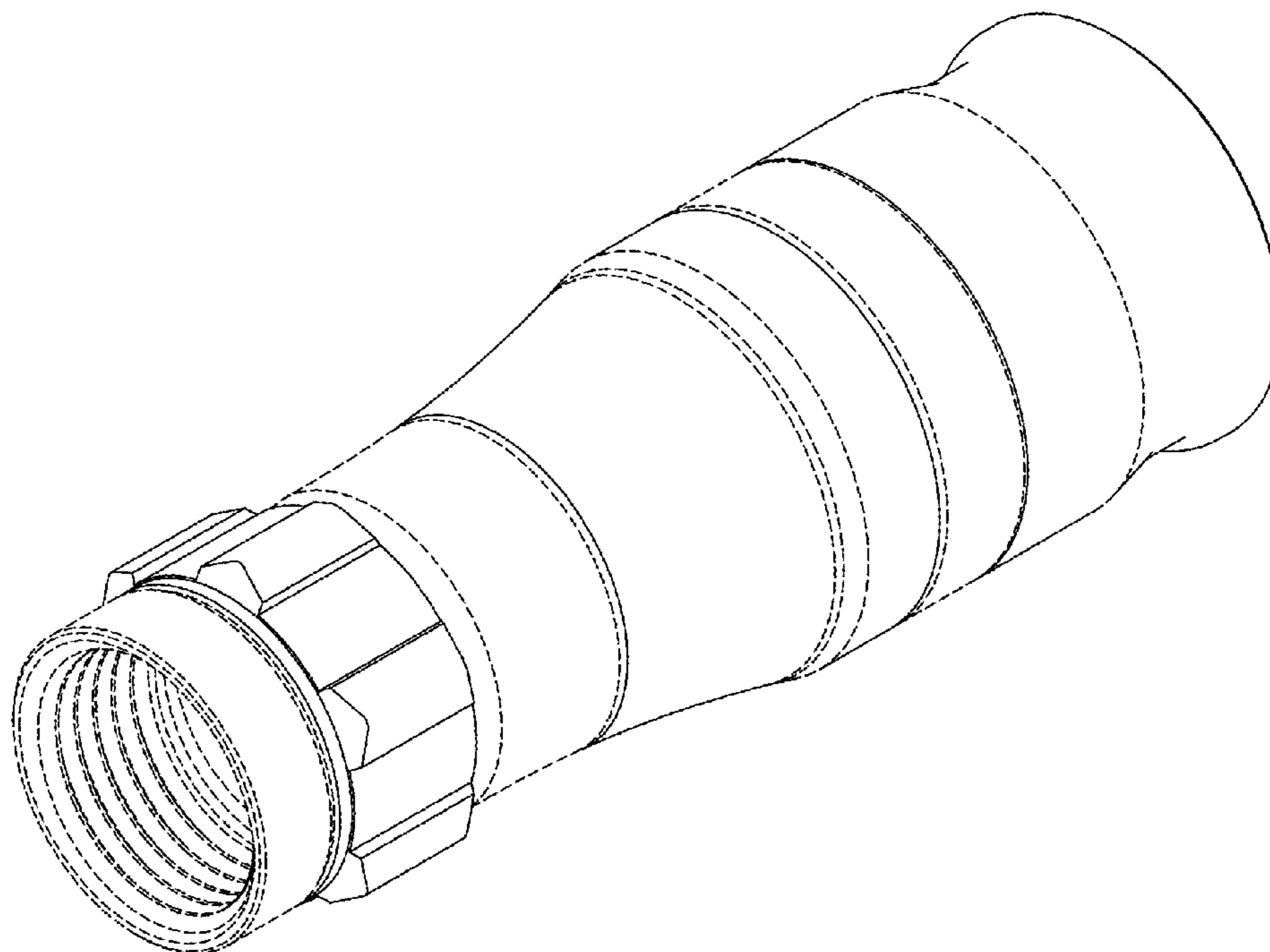
(57) **CLAIM**

The ornamental design for a closed compression-type coaxial
cable connector, as shown and described.

DESCRIPTION

FIG. 1 is a front perspective view of a closed compression-
type coaxial cable connector showing our new design;
FIG. 2 is a back perspective view thereof;
FIG. 3 is a top plan view thereof, the bottom plan view being
a mirror image thereto;
FIG. 4 is a left side view thereof, the right side elevation view
being a mirror image thereto;
FIG. 5 is an enlarged front elevation view thereof; and,
FIG. 6 is an enlarged back elevation view thereof.
The broken lines shown represent unclaimed subject matter
only and form no part of the claim. Where broken lines abut a
claimed surface it is understood that those broken lines rep-
resent an unclaimed boundary between claimed and
unclaimed surfaces. None of the broken lines form any part of
the claimed design.

1 Claim, 6 Drawing Sheets



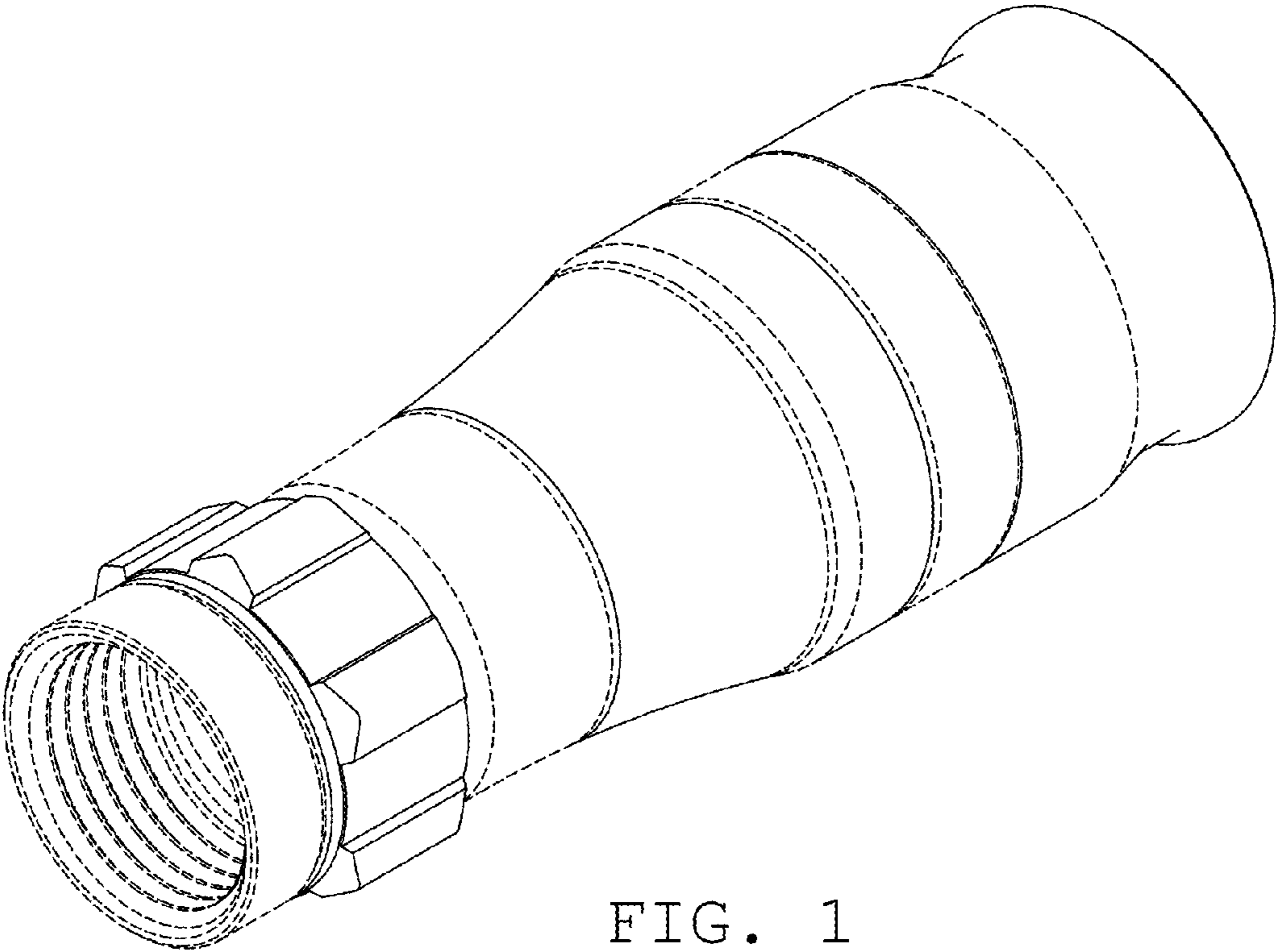


FIG. 1

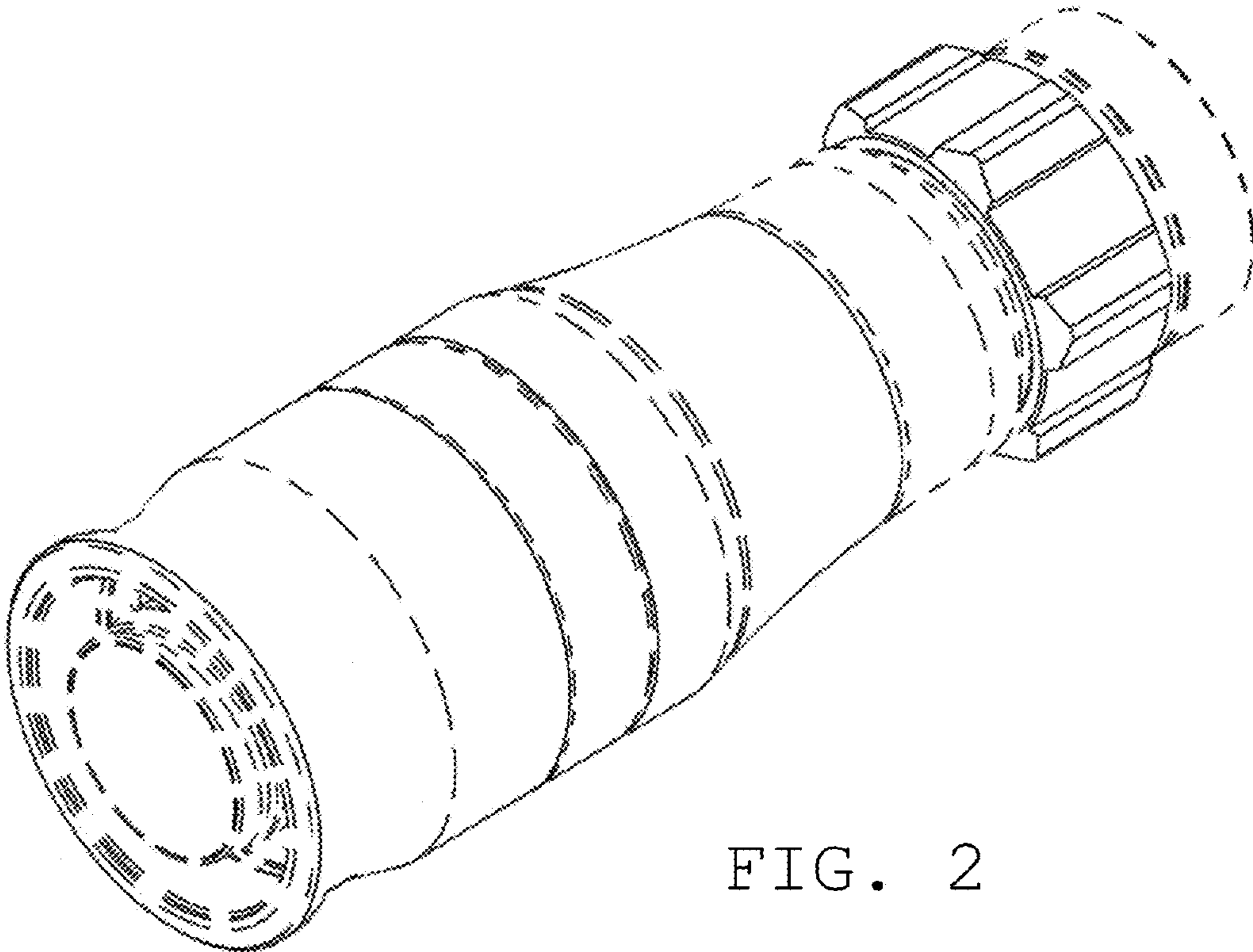


FIG. 2

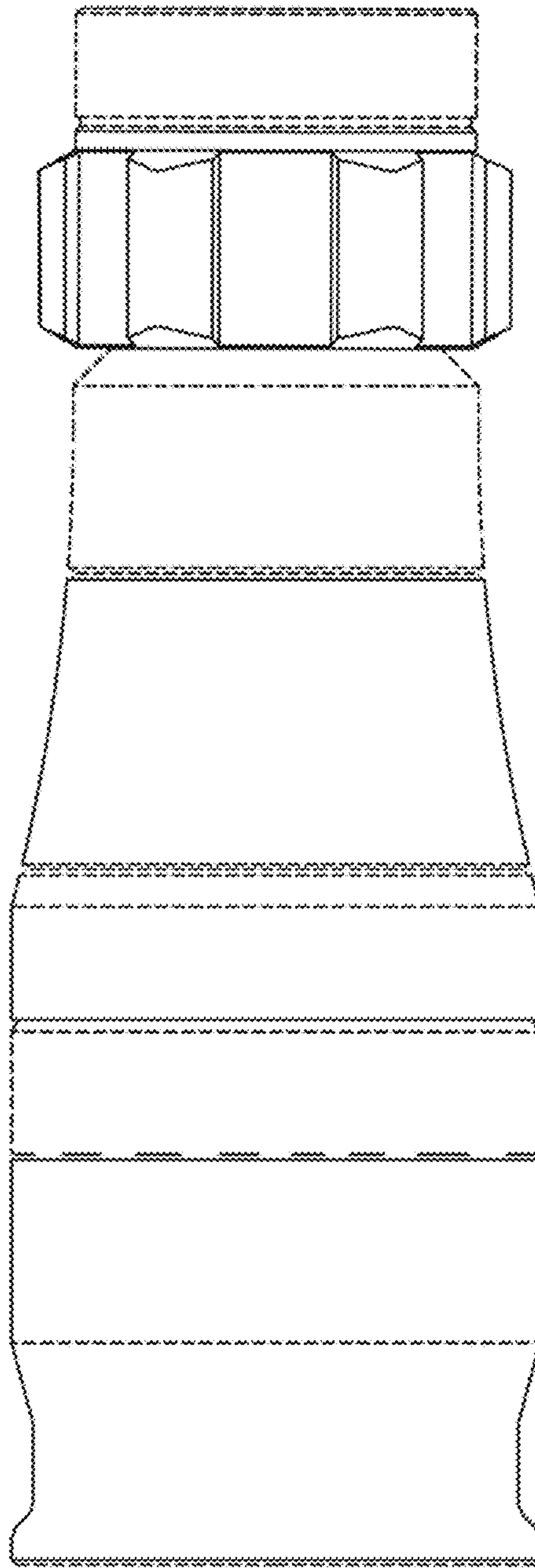


FIG. 3

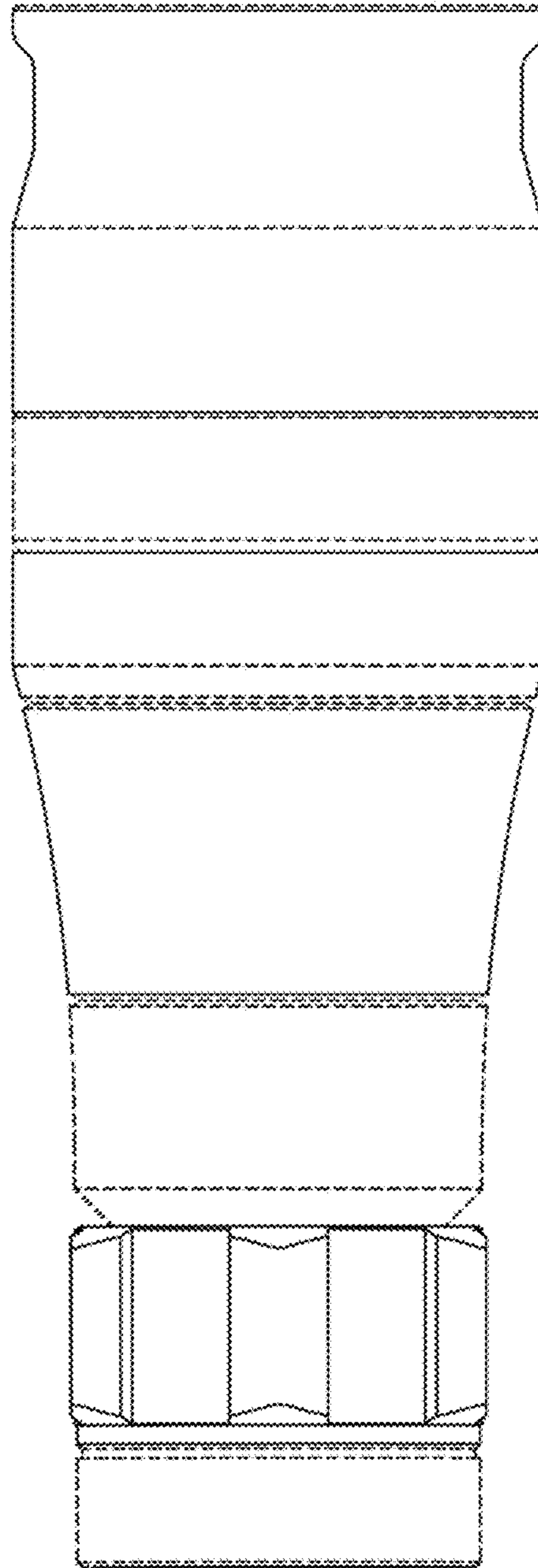


FIG. 4

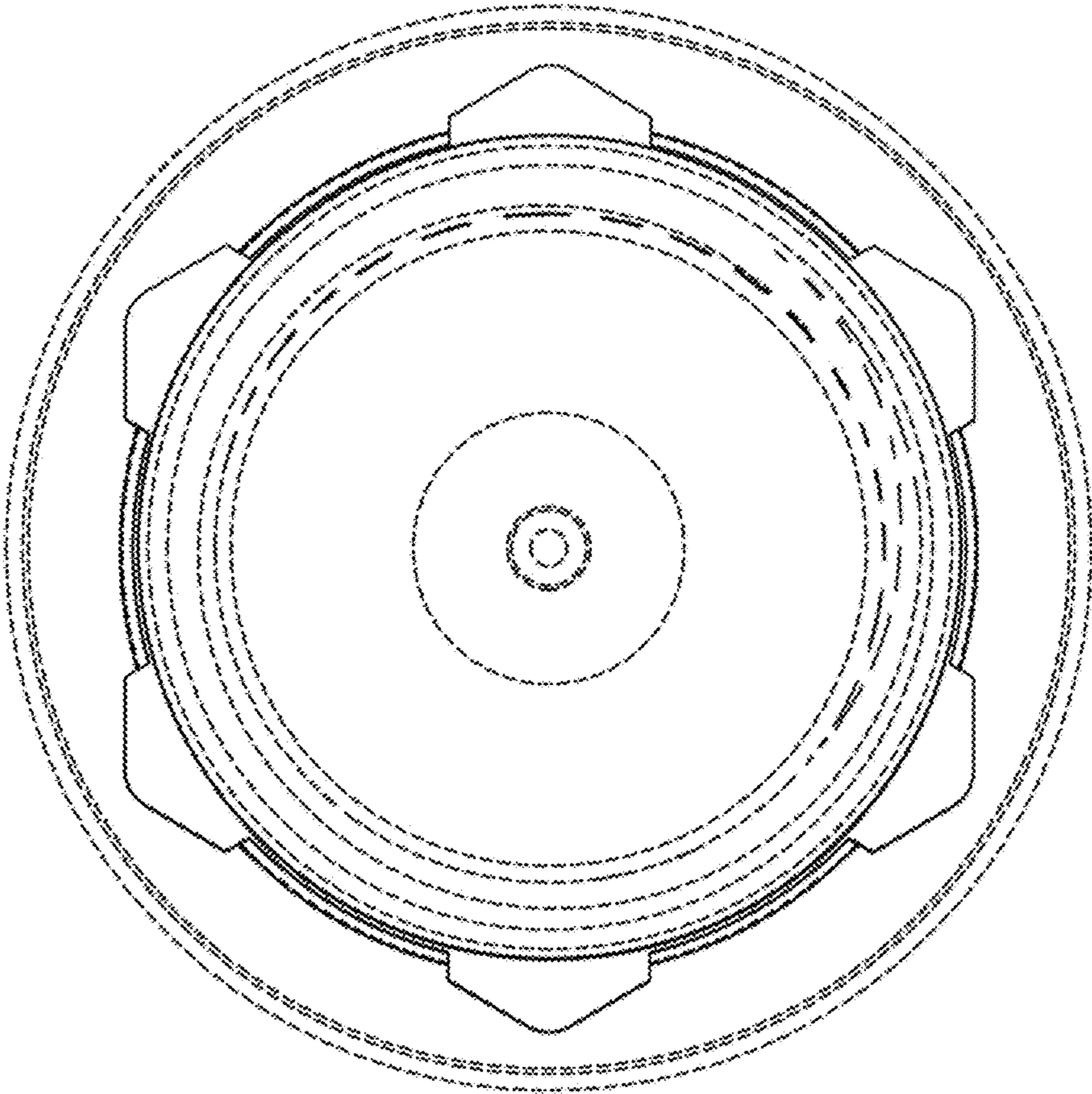


FIG. 5

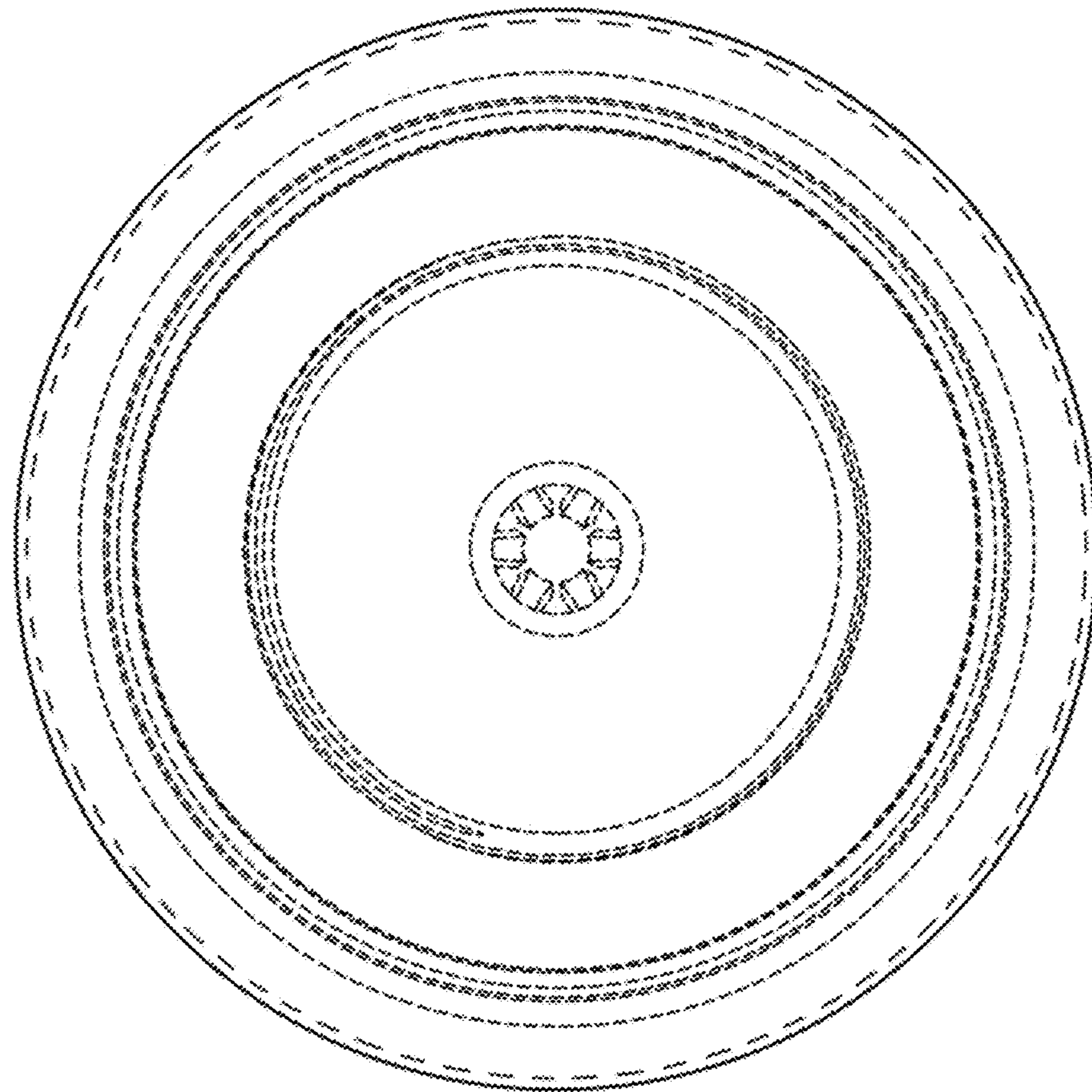


FIG. 6