



US00D686163S

(12) **United States Design Patent**
Byrne

(10) **Patent No.:** **US D686,163 S**
(45) **Date of Patent:** **** Jul. 16, 2013**

(54) **CONNECTOR KEYING ARRANGEMENT**

(56) **References Cited**

(71) Applicant: **Norman R. Byrne**, Ada, MI (US)

U.S. PATENT DOCUMENTS

(72) Inventor: **Norman R. Byrne**, Ada, MI (US)

D429,690 S 8/2000 Fristedt
D474,746 S 5/2003 Rupert
D510,908 S 10/2005 Byrne
D531,959 S 11/2006 Kondas
D581,366 S 11/2008 Knepper

(73) Assignee: **Byrne Electrical Specialists, Inc.**,
Rockford, MI (US)

Primary Examiner — Daniel Bui

(**) Term: **14 Years**

(74) *Attorney, Agent, or Firm* — Varnum, Riddering,
Schmidt & Howlett LLP

(21) Appl. No.: **29/436,211**

(57) **CLAIM**

I claim, the ornamental connector keying arrangement, as shown and described.

(22) Filed: **Nov. 2, 2012**

DESCRIPTION

Related U.S. Application Data

(63) Continuation of application No. 29/355,648, filed on
Feb. 11, 2010, now abandoned.

FIG. 1 is a front elevation view of a connector keying arrangement showing my new design;
FIG. 2 is a top plan view thereof;
FIG. 3 is a left side elevation view thereof;
FIG. 4 is a rear elevation view thereof;
FIG. 5 is a right side elevation view thereof;
FIG. 6 is a bottom plan view thereof;
FIG. 7 is a top, front and right side perspective view thereof;
and,
FIG. 8 is left and right side elevation views thereof, on a larger scale.

(51) **LOC (9) Cl.** **13-03**

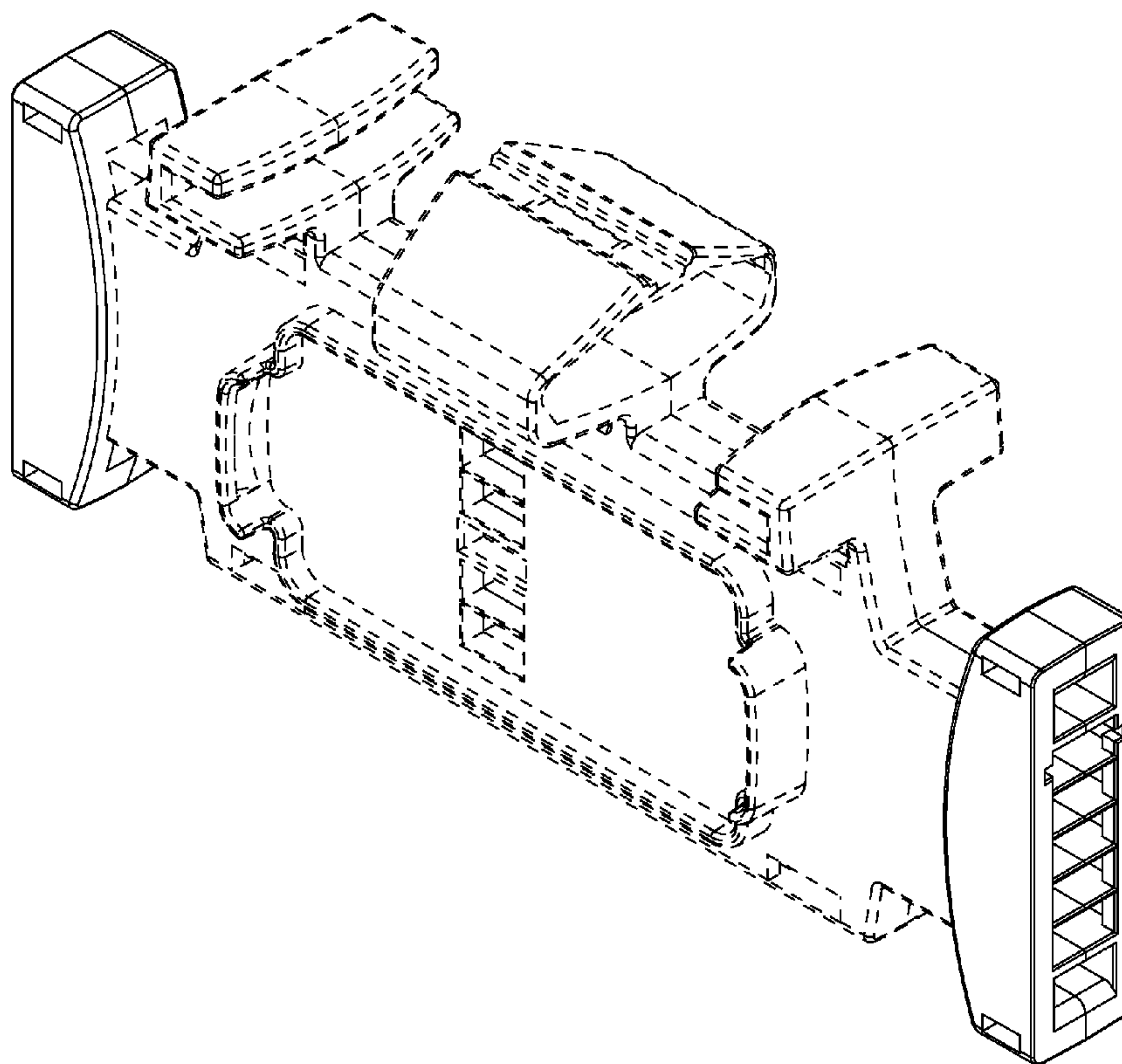
(52) **U.S. Cl.**
USPC **D13/147**

(58) **Field of Classification Search**
USPC D13/133, 147, 154, 184; 439/345,
439/350, 352, 353, 354, 357, 358, 660, 680,
439/682, 752

The broken line in the drawing views represents unclaimed subject matter only, and forms no part of the claimed design.

See application file for complete search history.

1 Claim, 3 Drawing Sheets



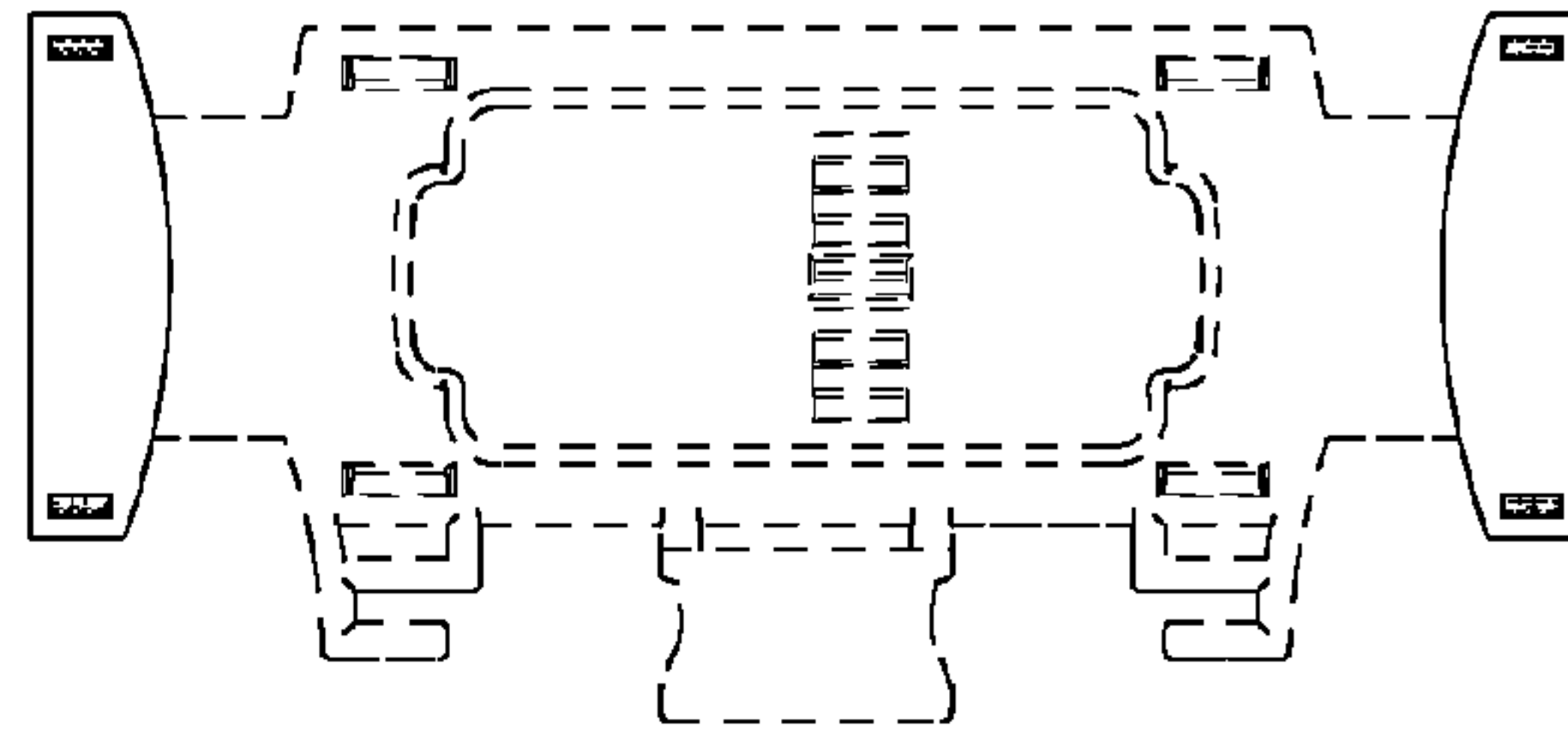


Fig. 1

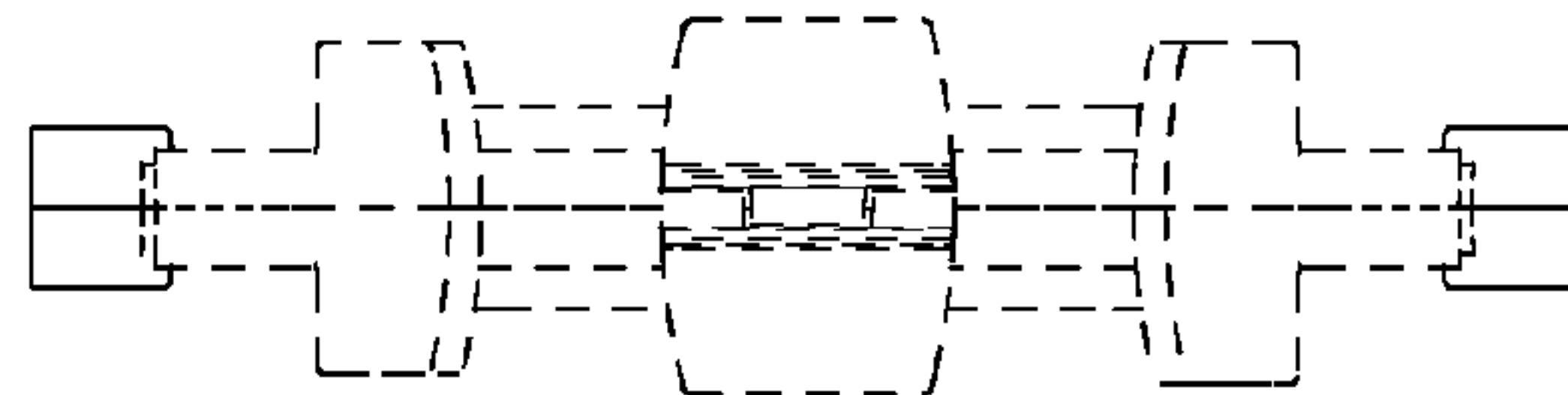


Fig. 2

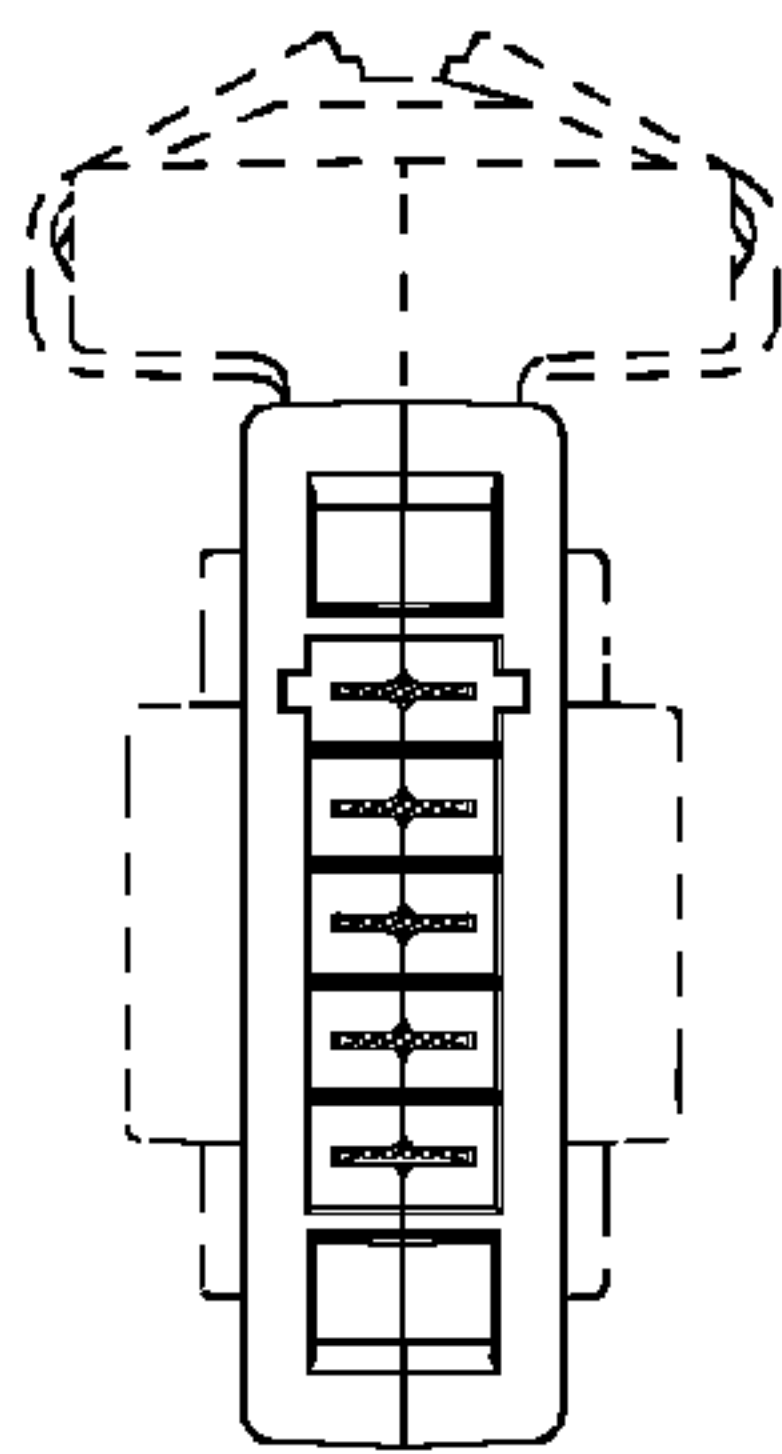


Fig. 3

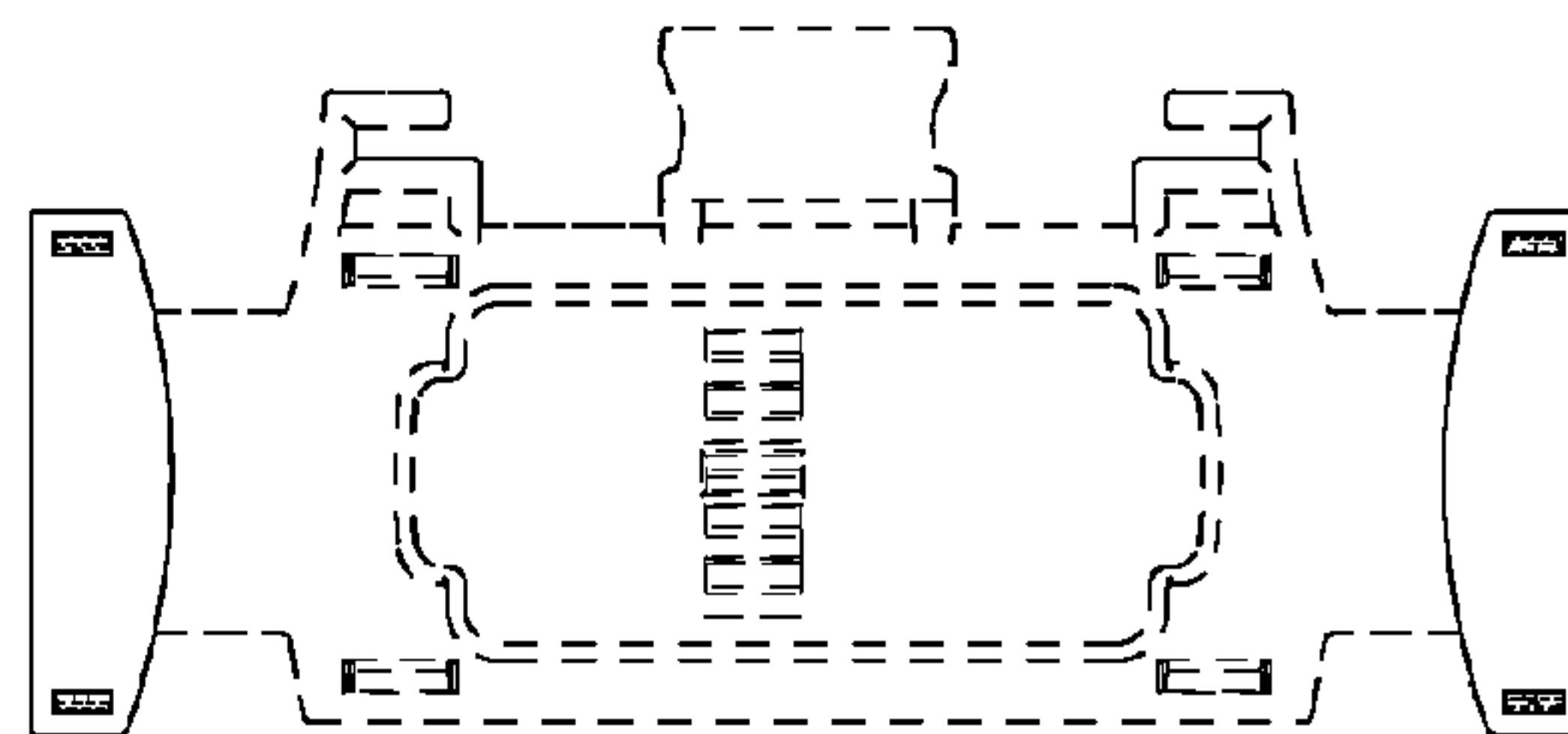


Fig. 4

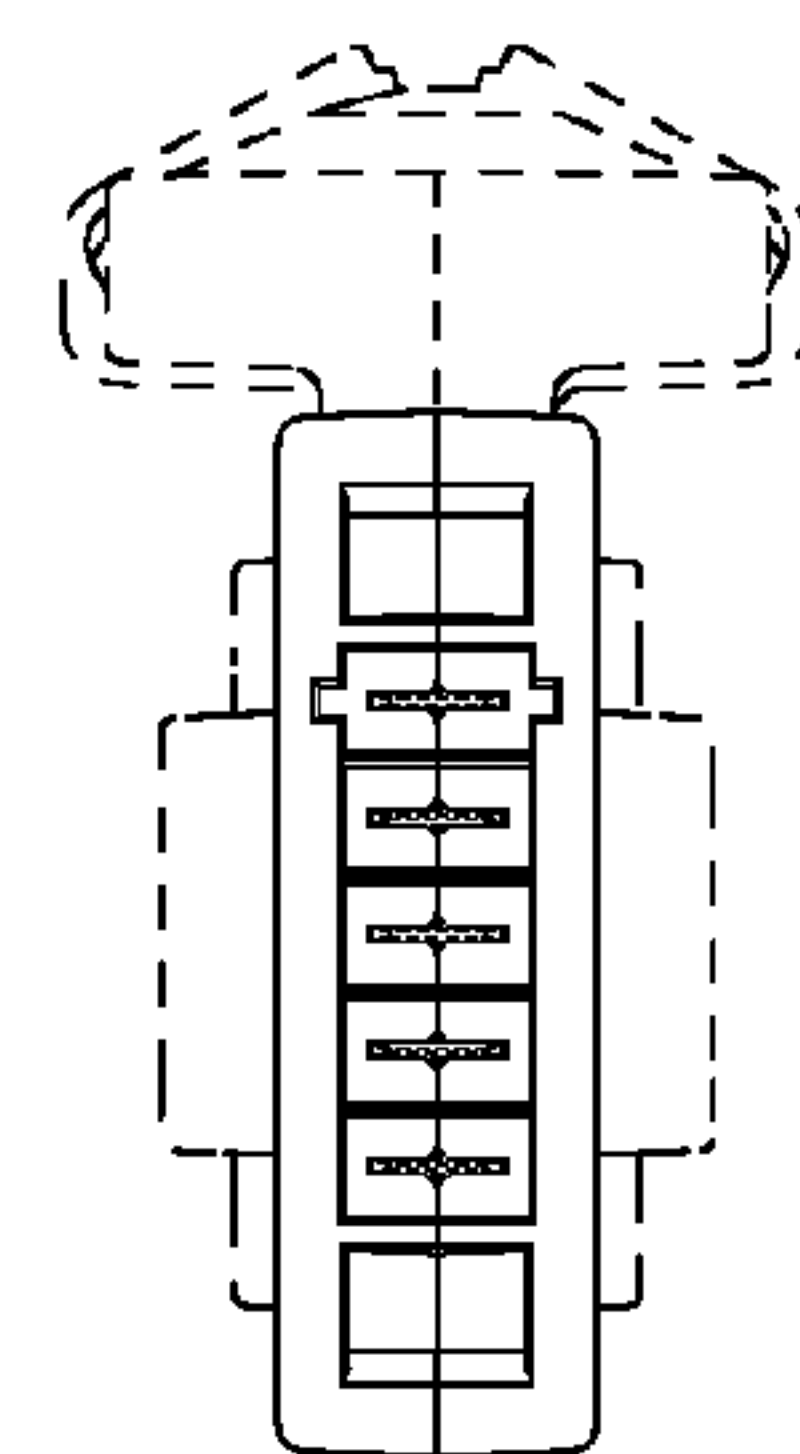


Fig. 5

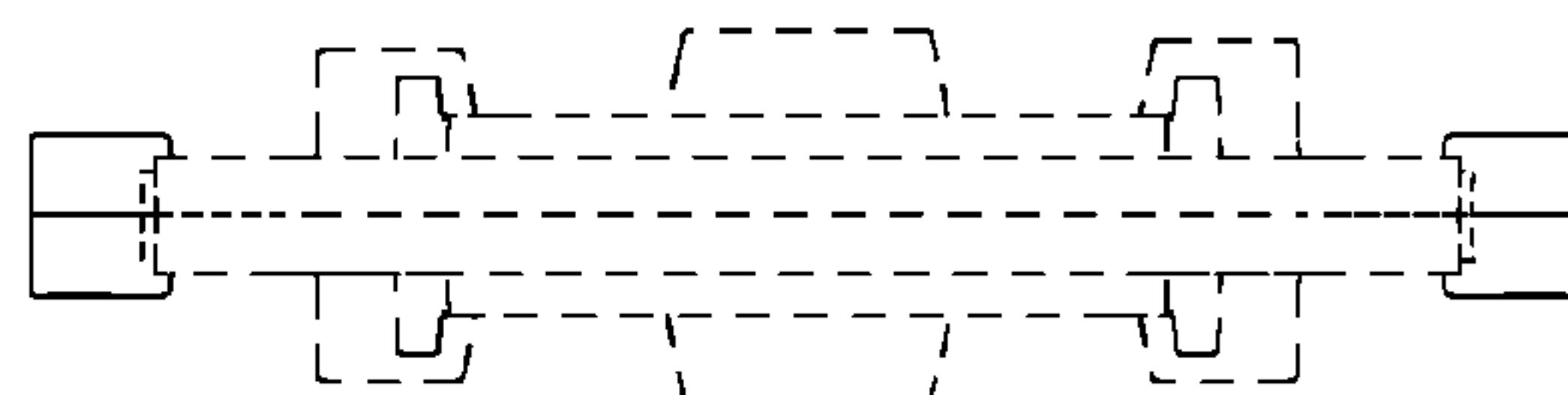


Fig. 6

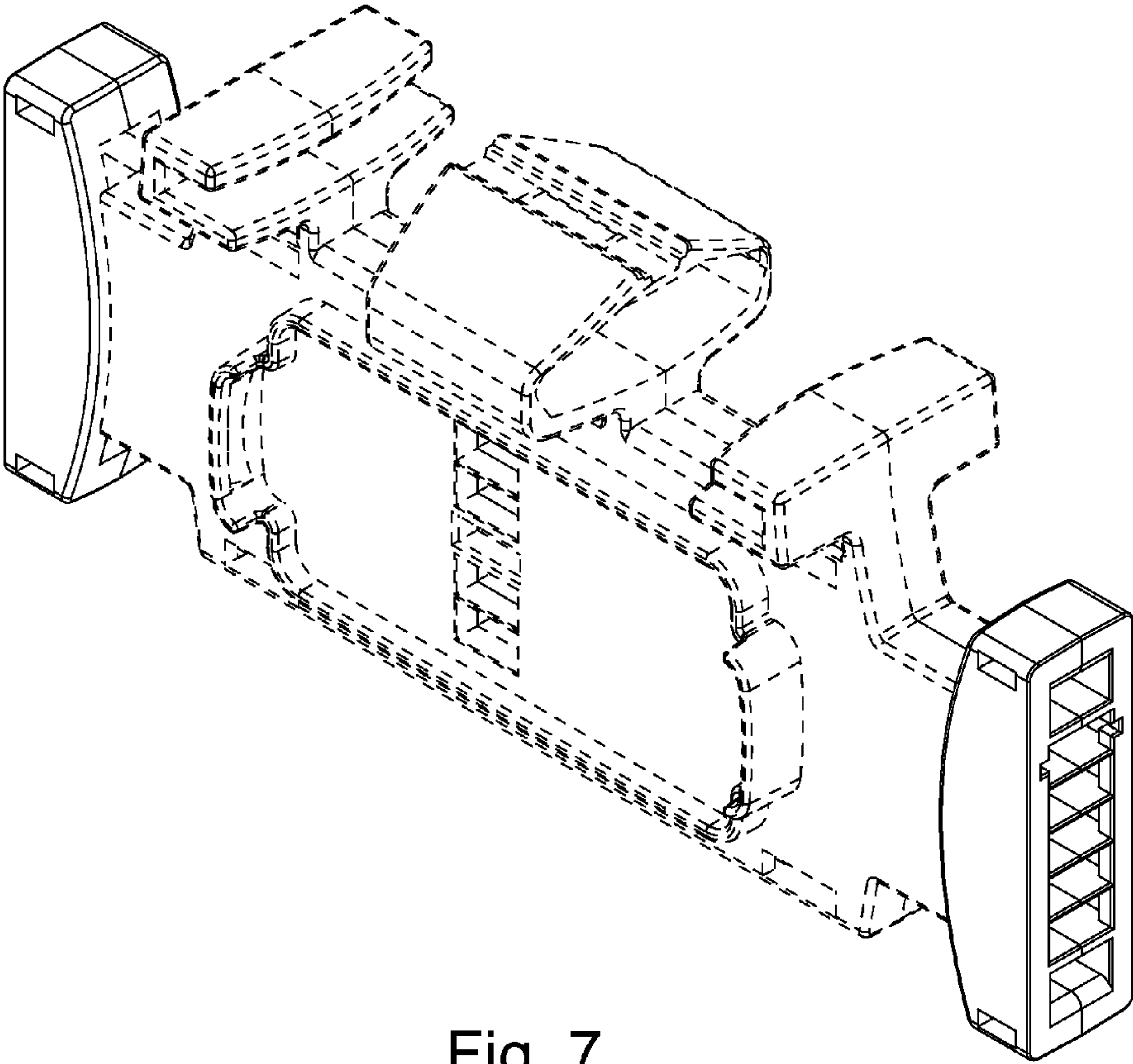


Fig. 7

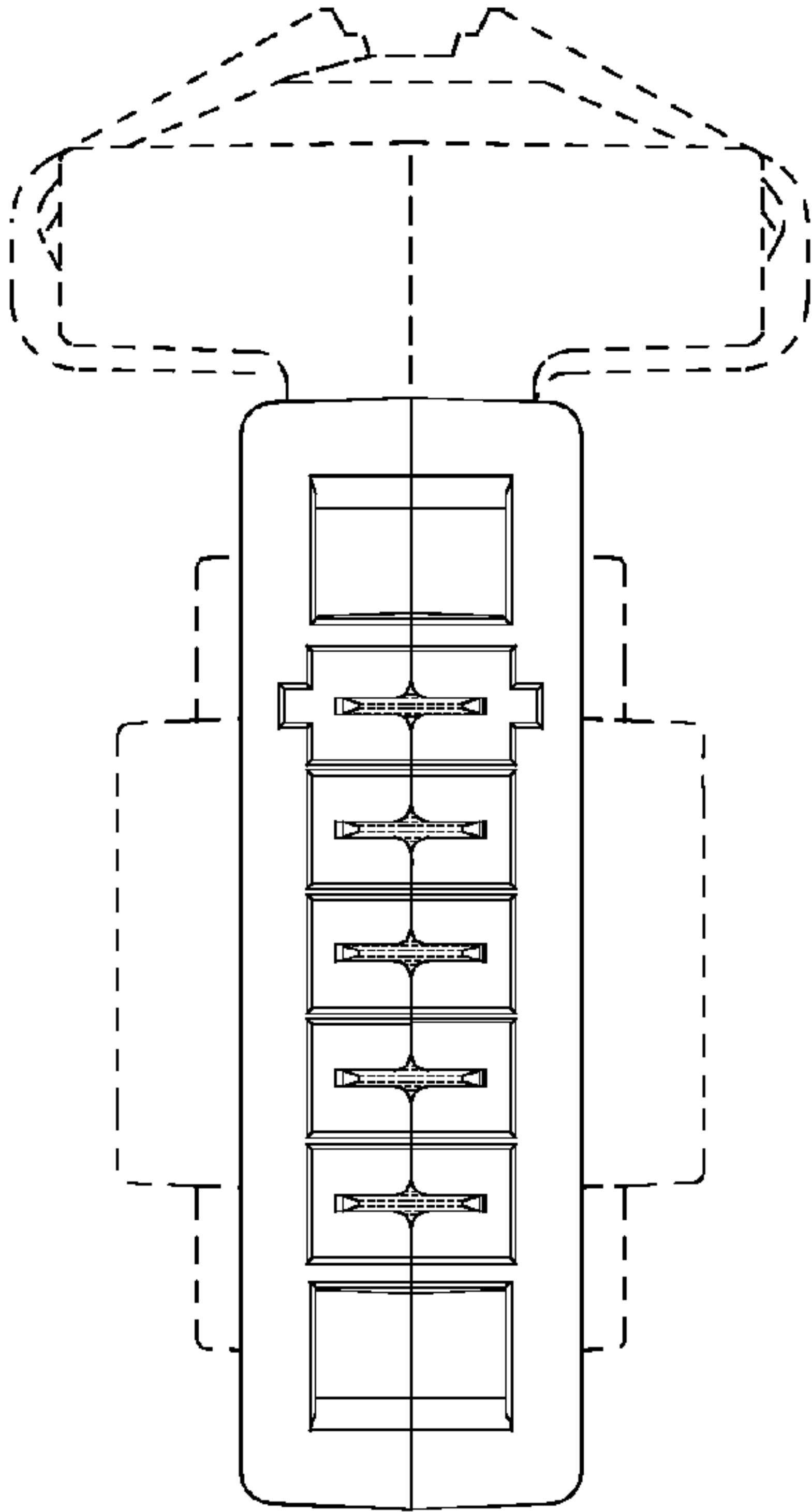


Fig. 8

UNITED STATES PATENT AND TRADEMARK OFFICE
CERTIFICATE OF CORRECTION

PATENT NO. : D686,163 S
APPLICATION NO. : 29/436211
DATED : July 16, 2013
INVENTOR(S) : Norman R. Byrne

Page 1 of 1

It is certified that error appears in the above-identified patent and that said Letters Patent is hereby corrected as shown below:

On the Title Page

Item (73) Assignee: currently identifies an Assignee as: Byrne Electrical Specialists, Inc., Rockford, MI (US). In fact, there neither has been, nor is there now, any Assignee of the patent. Accordingly, none should be identified on the patent.

Signed and Sealed this
Fifth Day of August, 2014



Michelle K. Lee
Deputy Director of the United States Patent and Trademark Office