



US00D686161S

(12) **United States Design Patent**
Richards et al.

(10) **Patent No.:** **US D686,161 S**

(45) **Date of Patent:** **** *Jul. 16, 2013**

(54) **FOUR-CONNECTOR CABLE**

(75) Inventors: **Christopher F. Richards**, Fountain Hills, AZ (US); **Bradley M. Strahle**, Crestline, CA (US); **Dany Nikolova Paragouteva**, Glendale, CA (US)

(73) Assignee: **Performance Designed Products LLC**, Sherman Oaks, CA (US)

(*) Notice: This patent is subject to a terminal disclaimer.

(**) Term: **14 Years**

(21) Appl. No.: **29/402,204**

(22) Filed: **Sep. 21, 2011**

Related U.S. Application Data

(63) Continuation-in-part of application No. 29/396,415, filed on Jun. 29, 2011, and a continuation-in-part of application No. 29/396,416, filed on Jun. 29, 2011, and a continuation-in-part of application No. 29/396,413, filed on Jun. 29, 2011, and a continuation-in-part of application No. 29/399,492, filed on Aug. 15, 2011.

(51) **LOC (9) Cl.** **13-03**

(52) **U.S. Cl.**
USPC **D13/147**

(58) **Field of Classification Search**
USPC D13/133, 146, 147, 153, 154, 156, D13/184, 199; 439/180, 207, 210, 246, 278, 439/374, 376, 445-447, 476.1, 527, 529, 439/533, 623, 892, 894, 954

See application file for complete search history.

(56) **References Cited**

U.S. PATENT DOCUMENTS

| | | | | | | |
|----------|---|---|---------|----------------|-------|---------|
| D357,226 | S | * | 4/1995 | Ybanez et al. | | D13/146 |
| D422,968 | S | * | 4/2000 | Tsai et al. | | D13/147 |
| D450,039 | S | * | 11/2001 | Goto | | D13/147 |
| D519,084 | S | * | 4/2006 | Hertel et al. | | D13/154 |
| D553,089 | S | * | 10/2007 | Victor | | D13/147 |
| D564,971 | S | * | 3/2008 | Victor | | D13/153 |
| D586,752 | S | * | 2/2009 | Diamond et al. | | D13/147 |
| D586,753 | S | * | 2/2009 | Diamond et al. | | D13/147 |
| D593,954 | S | * | 6/2009 | Lee et al. | | D13/154 |
| D635,930 | S | * | 4/2011 | Li et al. | | D13/147 |
| D649,160 | S | * | 11/2011 | Smith | | D14/496 |

* cited by examiner

Primary Examiner — Daniel Bui

(74) *Attorney, Agent, or Firm* — Sheppard Mullin Richter & Hampton LLP

(57) **CLAIM**

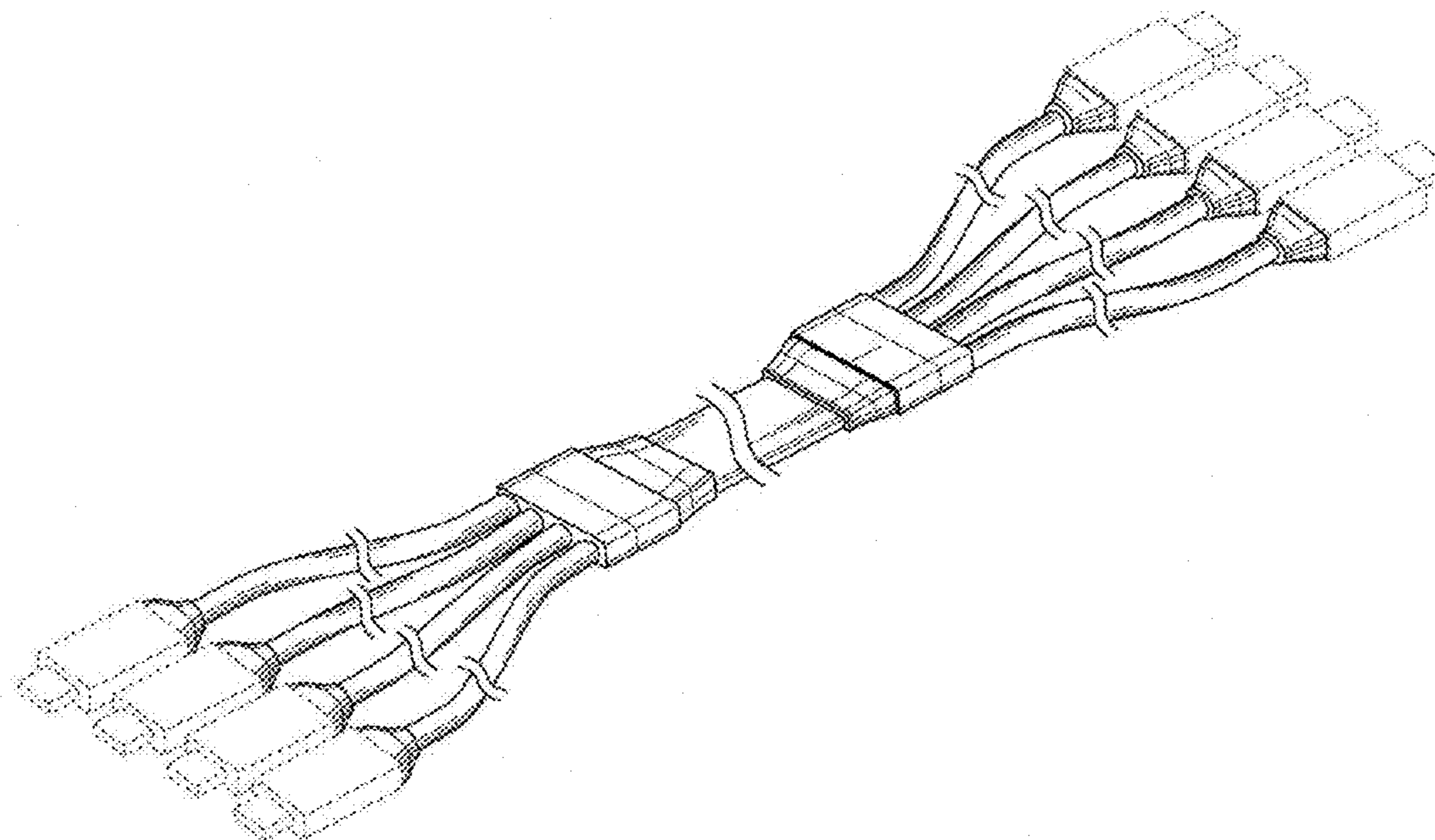
We claim the ornamental design for a four-connector cable, as shown and described.

DESCRIPTION

FIG. 1 is a perspective view of a four-connector cable embodying our new design;
FIG. 2 is a front elevation view thereof;
FIG. 3 is a rear view thereof;
FIG. 4 is a side elevation view thereof;
FIG. 5 is another side elevation view thereof;
FIG. 6 is top view thereof; and,
FIG. 7 is bottom view thereof.

The broken lines in the figure drawings are included for the purpose of illustrating the environment and form no part of the claimed design.

1 Claim, 3 Drawing Sheets



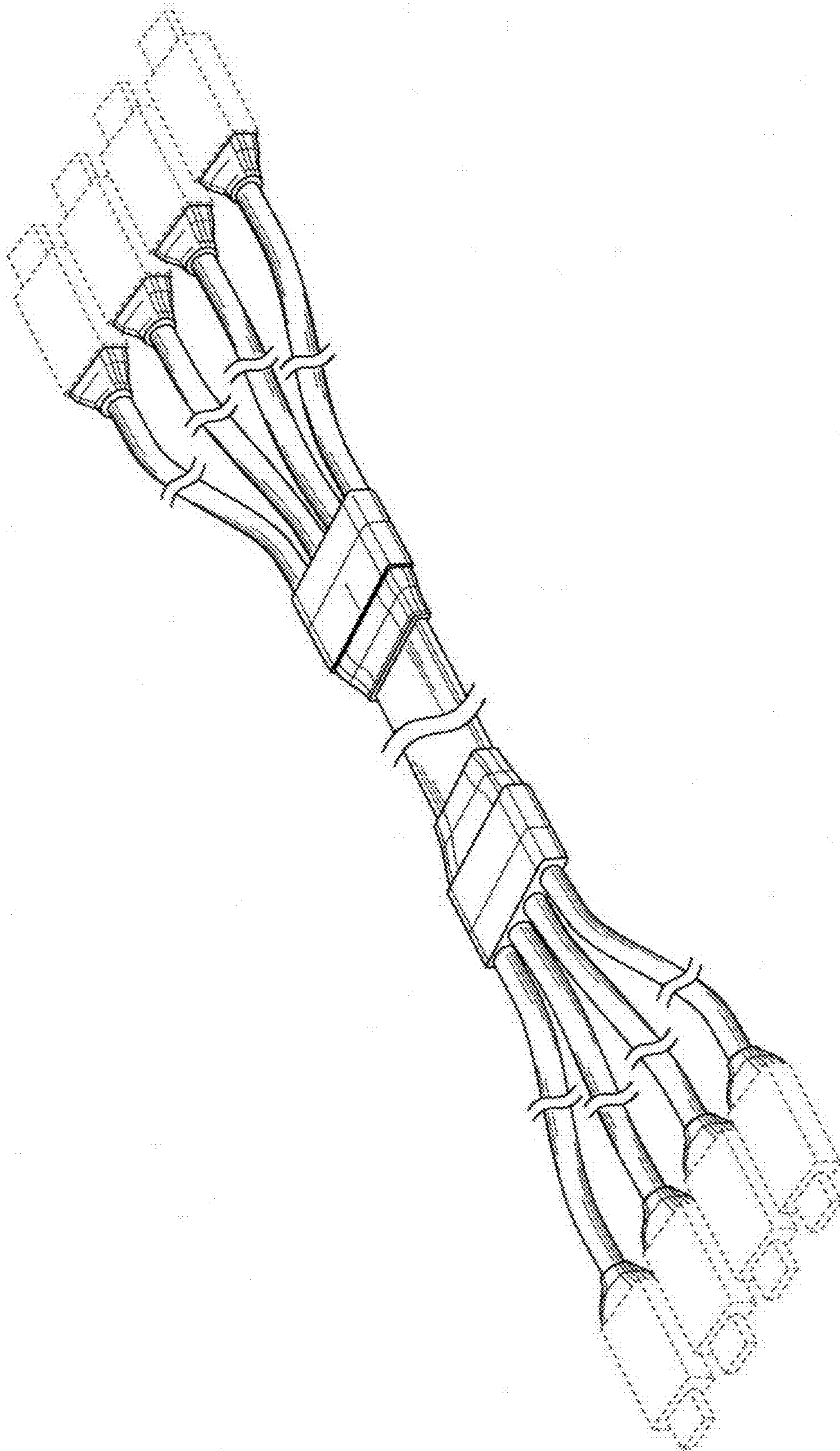


FIG. 1



FIG. 2

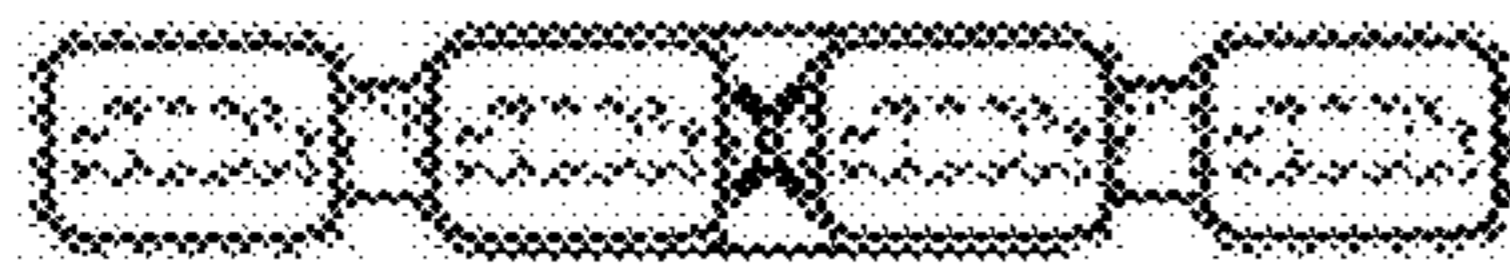


FIG. 3

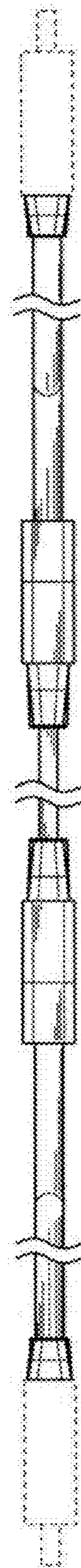


FIG. 4

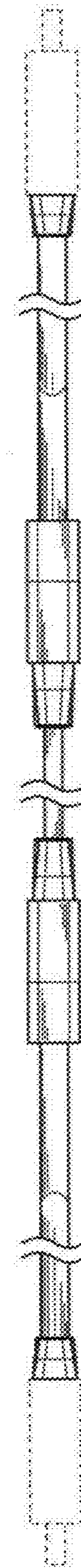


FIG. 5

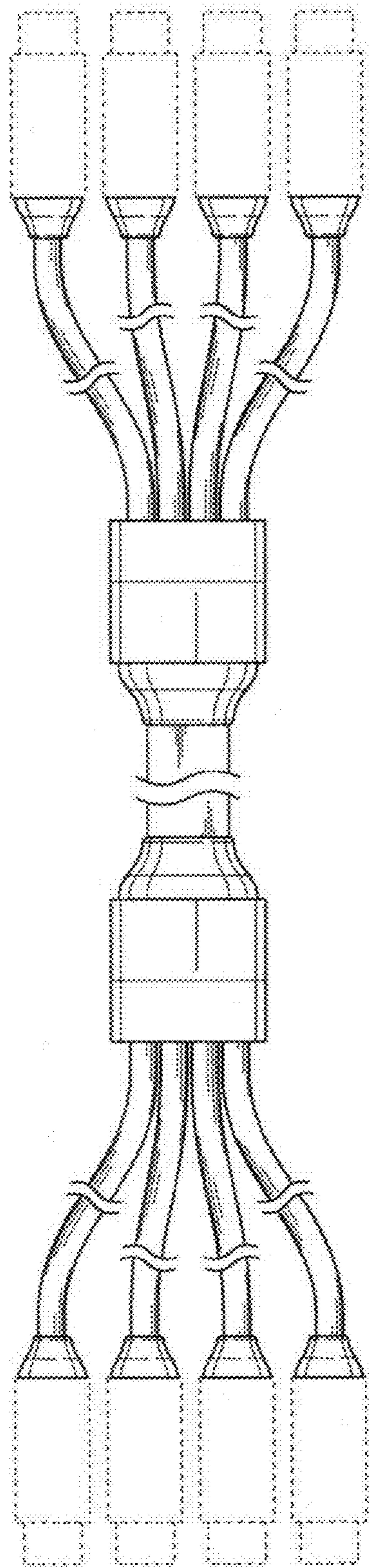


FIG. 6

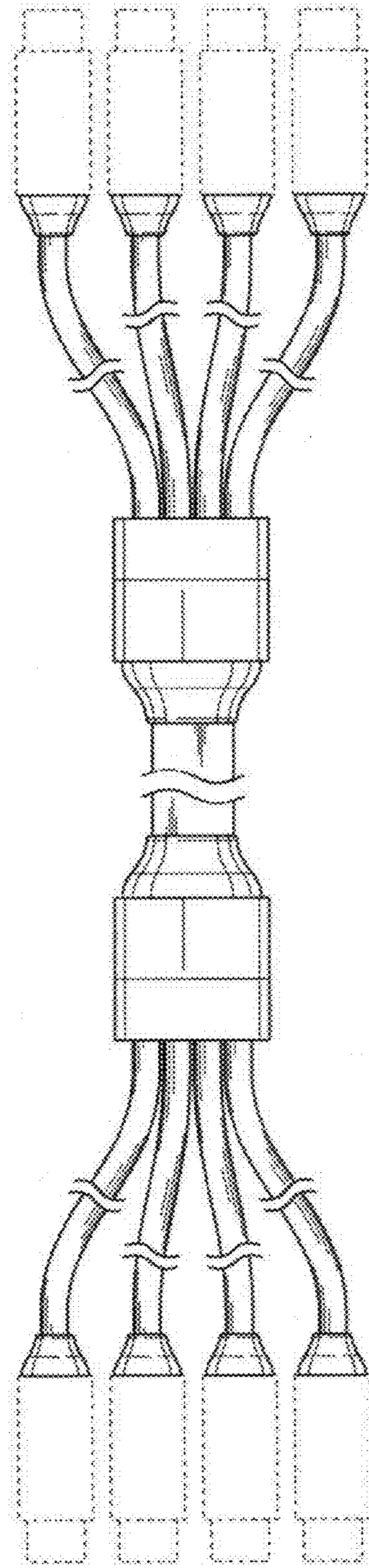


FIG. 7