



US00D686160S

(12) **United States Design Patent**  
**Richards et al.**

(10) **Patent No.:** **US D686,160 S**  
(45) **Date of Patent:** **\*\* \*Jul. 16, 2013**

(54) **FOUR-CONNECTOR CABLE**

(56) **References Cited**

(75) Inventors: **Christopher F. Richards**, Fountain Hills, AZ (US); **Bradley M. Strahle**, Crestline, CA (US); **Dany Nikolova Paragouteva**, Glendale, CA (US)

U.S. PATENT DOCUMENTS

D357,226	S	*	4/1995	Ybanez et al.	.....	D13/146
D422,968	S	*	4/2000	Tsai et al.	.....	D13/147
D450,039	S	*	11/2001	Goto	.....	D13/147
D519,084	S	*	4/2006	Hertel et al.	.....	D13/154
D553,089	S	*	10/2007	Victor	.....	D13/147
D564,971	S	*	3/2008	Victor	.....	D13/153
D586,752	S	*	2/2009	Diamond et al.	.....	D13/147
D586,753	S	*	2/2009	Diamond et al.	.....	D13/147
D593,954	S	*	6/2009	Lee et al.	.....	D13/154
D635,930	S	*	4/2011	Li et al.	.....	D13/147
D649,160	S	*	11/2011	Smith	.....	D14/496

(73) Assignee: **Performance Designed Products LLC**, Sherman Oaks, CA (US)

(\*) Notice: This patent is subject to a terminal disclaimer.

\* cited by examiner

(\*\*) Term: **14 Years**

*Primary Examiner* — Daniel Bui

(21) Appl. No.: **29/399,492**

(74) *Attorney, Agent, or Firm* — Sheppard Mullin Richter & Hampton LLP

(22) Filed: **Aug. 15, 2011**

**Related U.S. Application Data**

(63) Continuation-in-part of application No. 29/396,415, filed on Jun. 29, 2011, and a continuation-in-part of application No. 29/396,416, filed on Jun. 29, 2011, and a continuation-in-part of application No. 29/396,413, filed on Jun. 29, 2011.

(51) **LOC (9) Cl.** ..... **13-03**

(52) **U.S. Cl.**  
USPC ..... **D13/147**

(58) **Field of Classification Search**  
USPC ..... D13/133, 146, 147, 153, 154, 156, D13/184, 199; 439/180, 207, 210, 246, 278, 439/374, 376, 445-447, 476.1, 527, 529, 439/533, 623, 892, 894, 954

See application file for complete search history.

(57) **CLAIM**

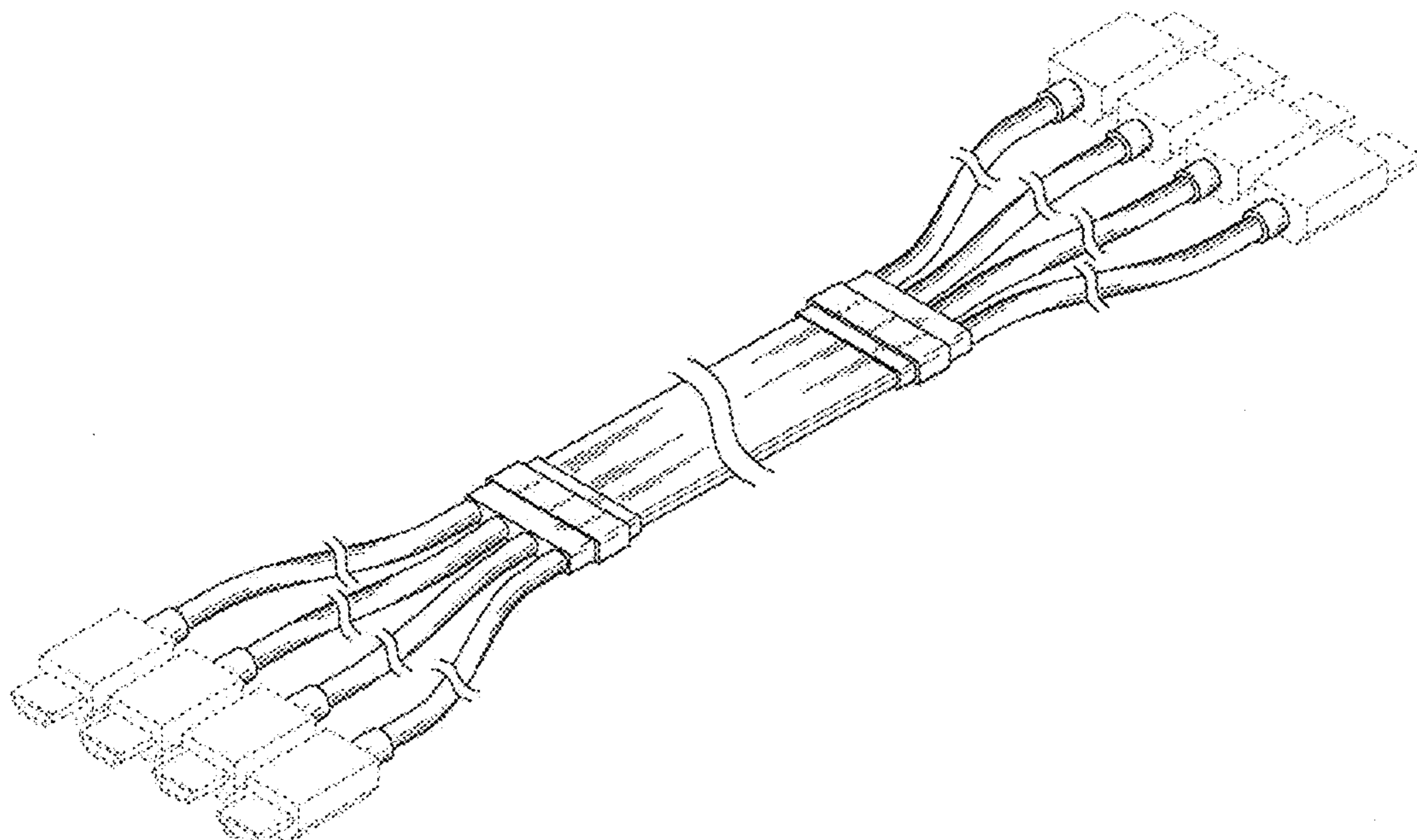
We claim the ornamental design for a four-connector cable, as shown and described.

**DESCRIPTION**

FIG. 1 is a perspective view of a four-connector cable embodying our new design;  
FIG. 2 is a front elevation view thereof;  
FIG. 3 is a rear elevation view thereof;  
FIG. 4 is a side elevation view thereof;  
FIG. 5 is another side elevation view thereof;  
FIG. 6 is a top view thereof; and,  
FIG. 7 is a bottom view thereof.

The broken lines in the figure drawings are included for the purpose of illustrating the environment and form no part of the claimed design.

**1 Claim, 3 Drawing Sheets**



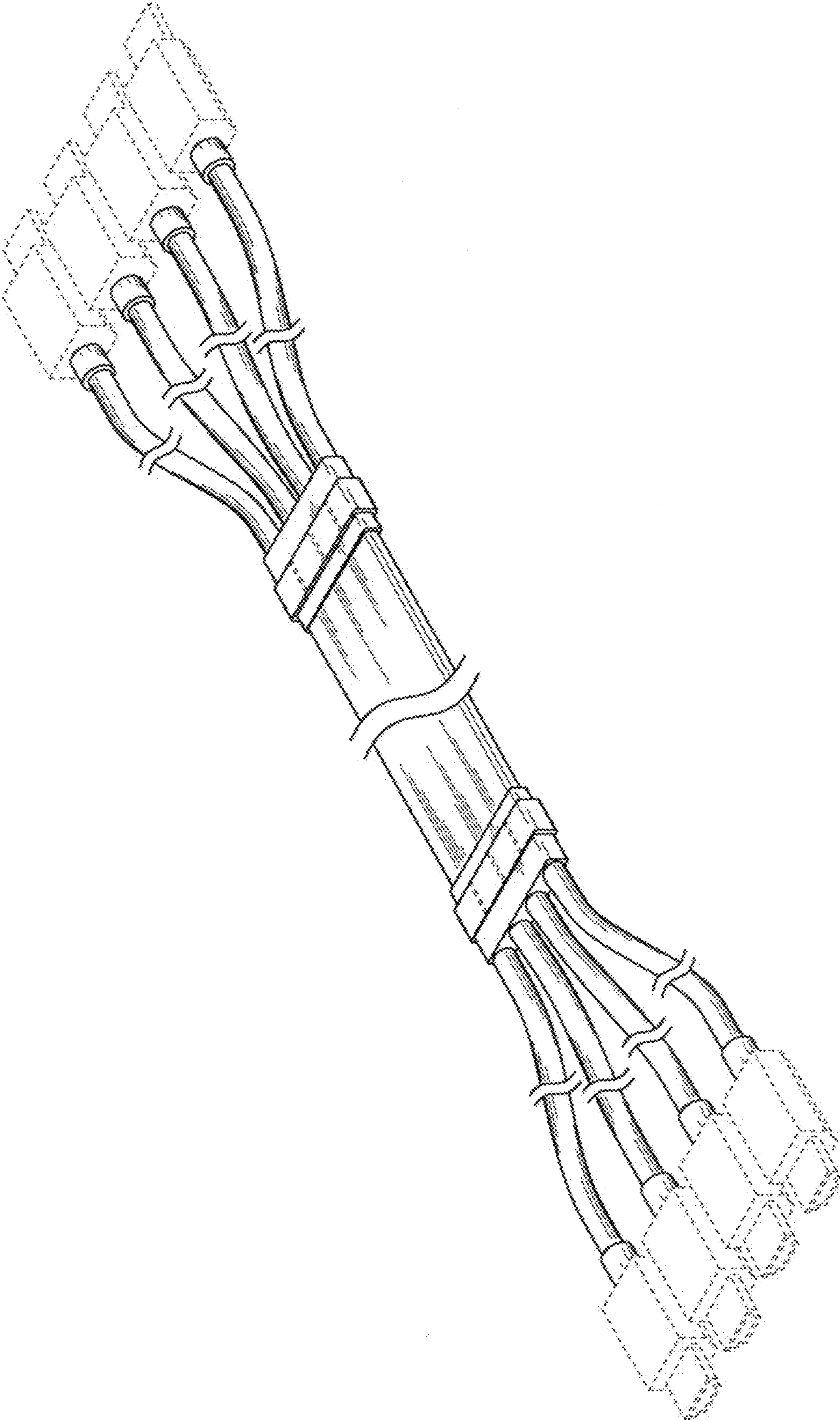


FIG. 1



FIG. 2

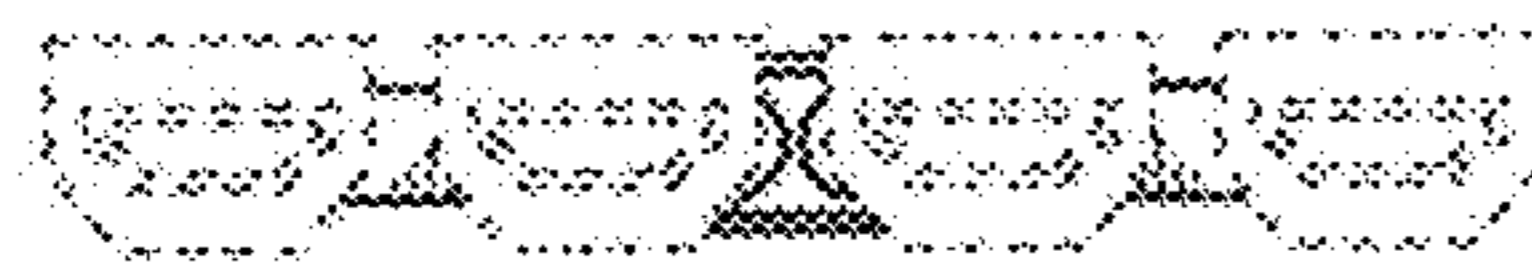


FIG. 3



FIG. 4



FIG. 5

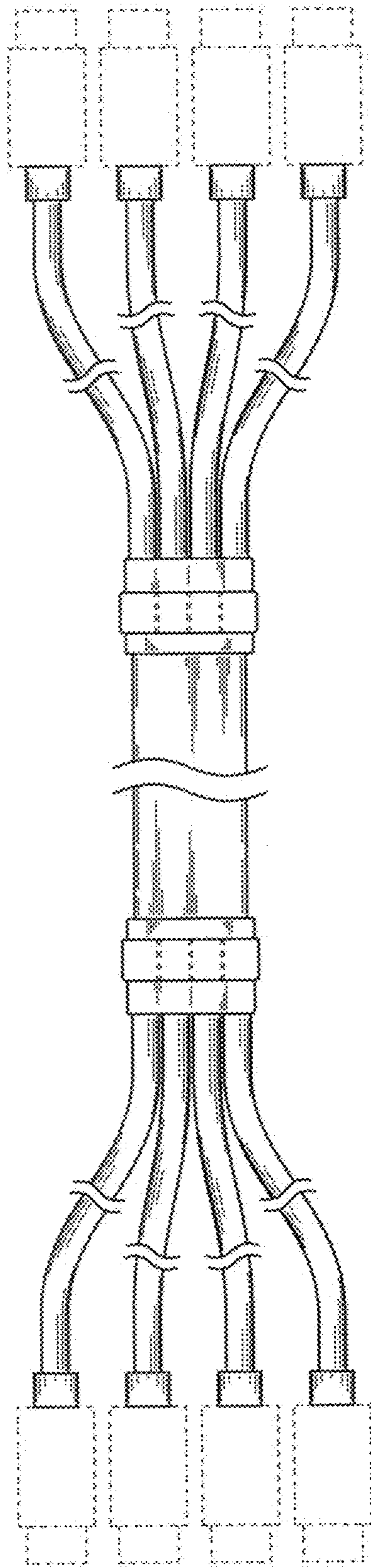


FIG. 6

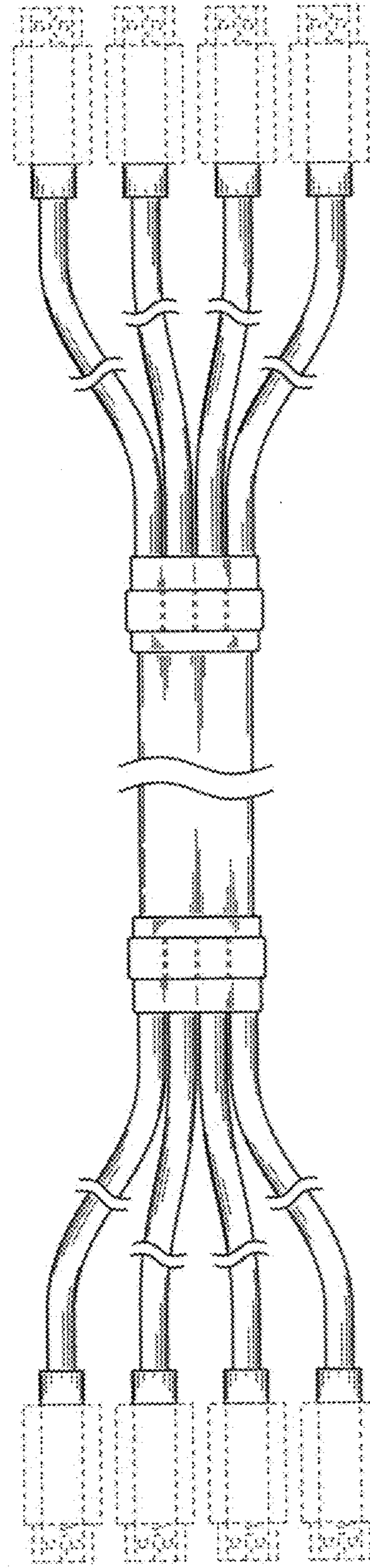


FIG. 7