



US00D686159S

(12) **United States Design Patent**
Takahashi et al.

(10) **Patent No.:** **US D686,159 S**
(45) **Date of Patent:** **** Jul. 16, 2013**

(54) **RELAY CONNECTOR**

D612,335 S * 3/2010 Lee D13/147
D635,924 S * 4/2011 Schrader D13/147
8,151,457 B2 * 4/2012 Hammond et al. 29/884

(75) Inventors: **Keisuke Takahashi**, Saitama (JP);
Yoshikatsu Hasegawa, Saitama (JP)

FOREIGN PATENT DOCUMENTS

(73) Assignee: **Furukawa Automotive Systems Inc.**,
Shiga (JP)

JP 1140365 6/1989

(**) Term: **14 Years**

* cited by examiner

(21) Appl. No.: **29/388,356**

Primary Examiner — Daniel Bui

(22) Filed: **Mar. 28, 2011**

(74) *Attorney, Agent, or Firm* — Knobbe Martens Olson &
Bear LLP

(30) **Foreign Application Priority Data**

(57) **CLAIM**

Sep. 27, 2010 (JP) 2010-022986

The ornamental design for a relay connector, as shown and
described.

(51) **LOC (9) Cl.** **13-03**

DESCRIPTION

(52) **U.S. Cl.**
USPC **D13/147**

(58) **Field of Classification Search**
USPC D13/146, 147, 154, 184, 199; 439/180,
439/246, 247, 282, 292, 293, 345, 350, 352,
439/353, 357, 358, 374, 527, 529, 530, 533,
439/594, 596, 597, 600, 680, 686, 695, 701,
439/724

FIG. 1 is a front elevation view of a relay connector showing
our new design;
FIG. 2 is a back elevation view thereof;
FIG. 3 is a top plan view thereof;
FIG. 4 is a bottom plan view thereof;
FIG. 5 is a right side elevation view thereof;
FIG. 6 is a left side elevation view thereof;
FIG. 7 is a front-top-left side perspective view thereof;
FIG. 8 is a front-bottom-left side perspective view thereof;
FIG. 9 is a back-top-right side perspective view thereof;
FIG. 10 is a back-bottom right side perspective view thereof;
and,
FIG. 11 is a front-top-right side perspective view thereof in
use condition.

See application file for complete search history.

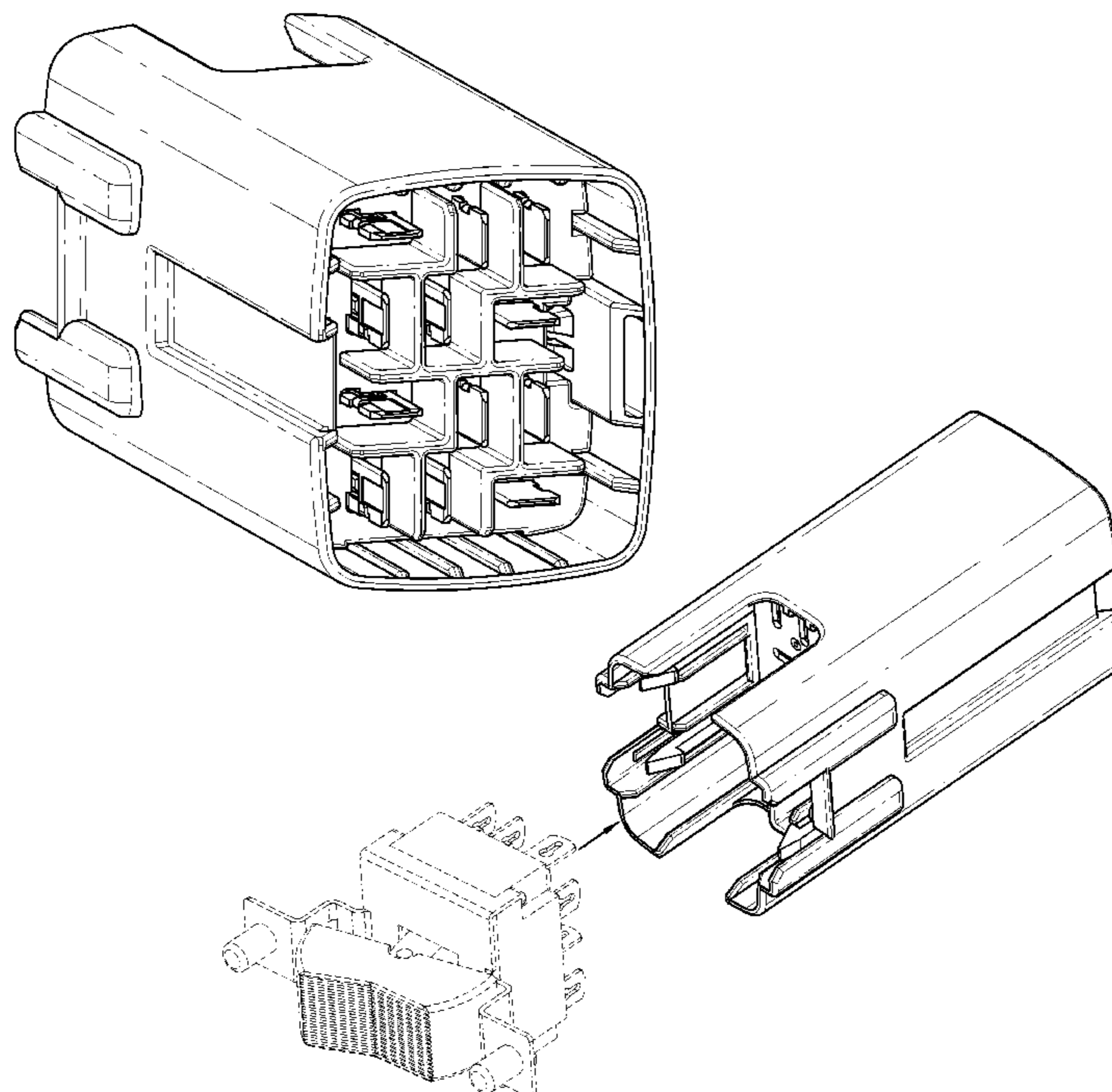
The broken line in the figure drawing is included for the
purpose of illustrating environment and forms no part of the
claimed design.

(56) **References Cited**

U.S. PATENT DOCUMENTS

D319,428 S * 8/1991 Nagasaka et al. D13/147
D323,139 S * 1/1992 Inaba et al. D13/133
D333,653 S * 3/1993 Yamanashi D13/147
D560,613 S * 1/2008 McEvoy et al. D13/147
D560,614 S * 1/2008 McEvoy et al. D13/147

1 Claim, 9 Drawing Sheets



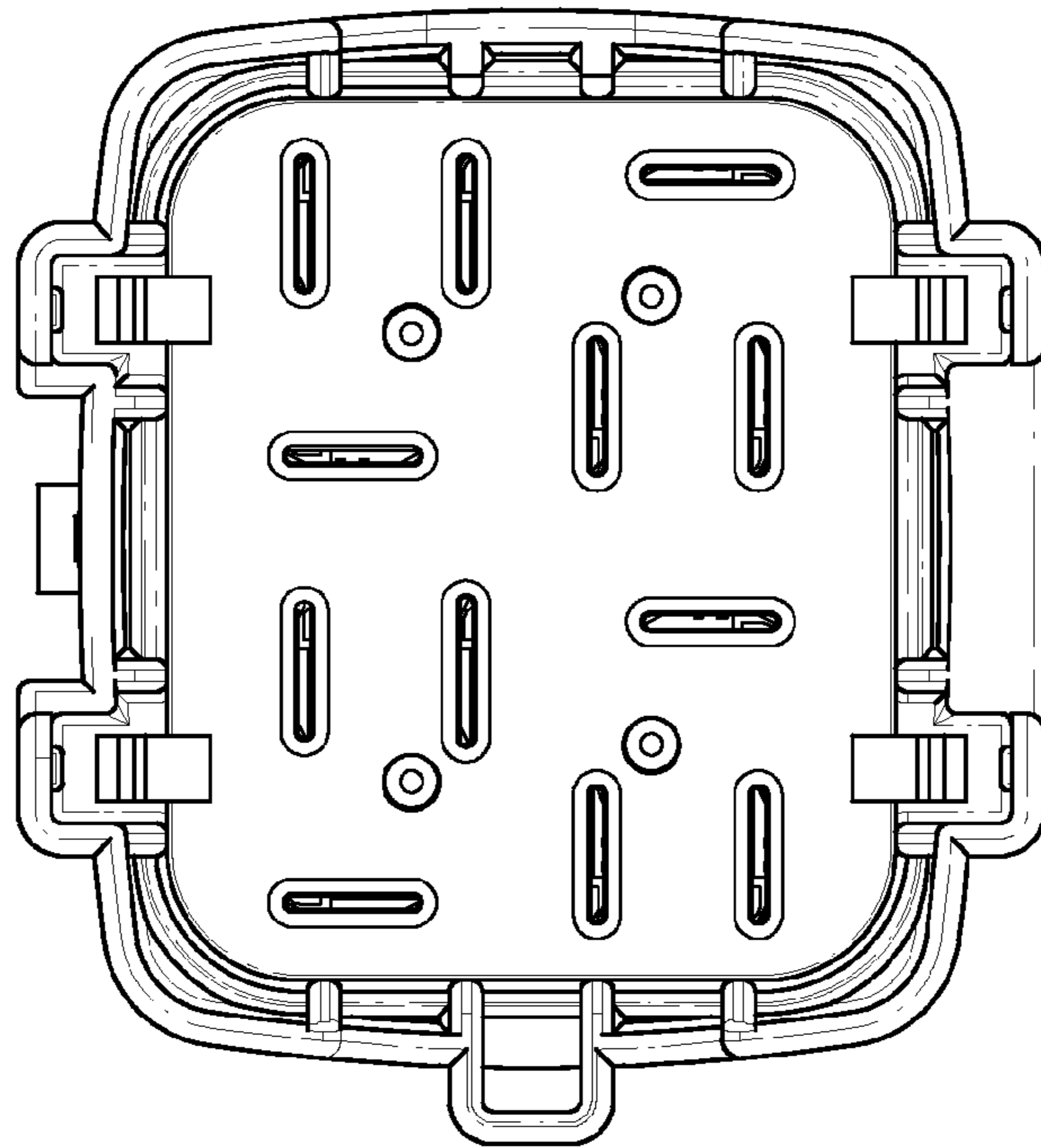


FIG. 1

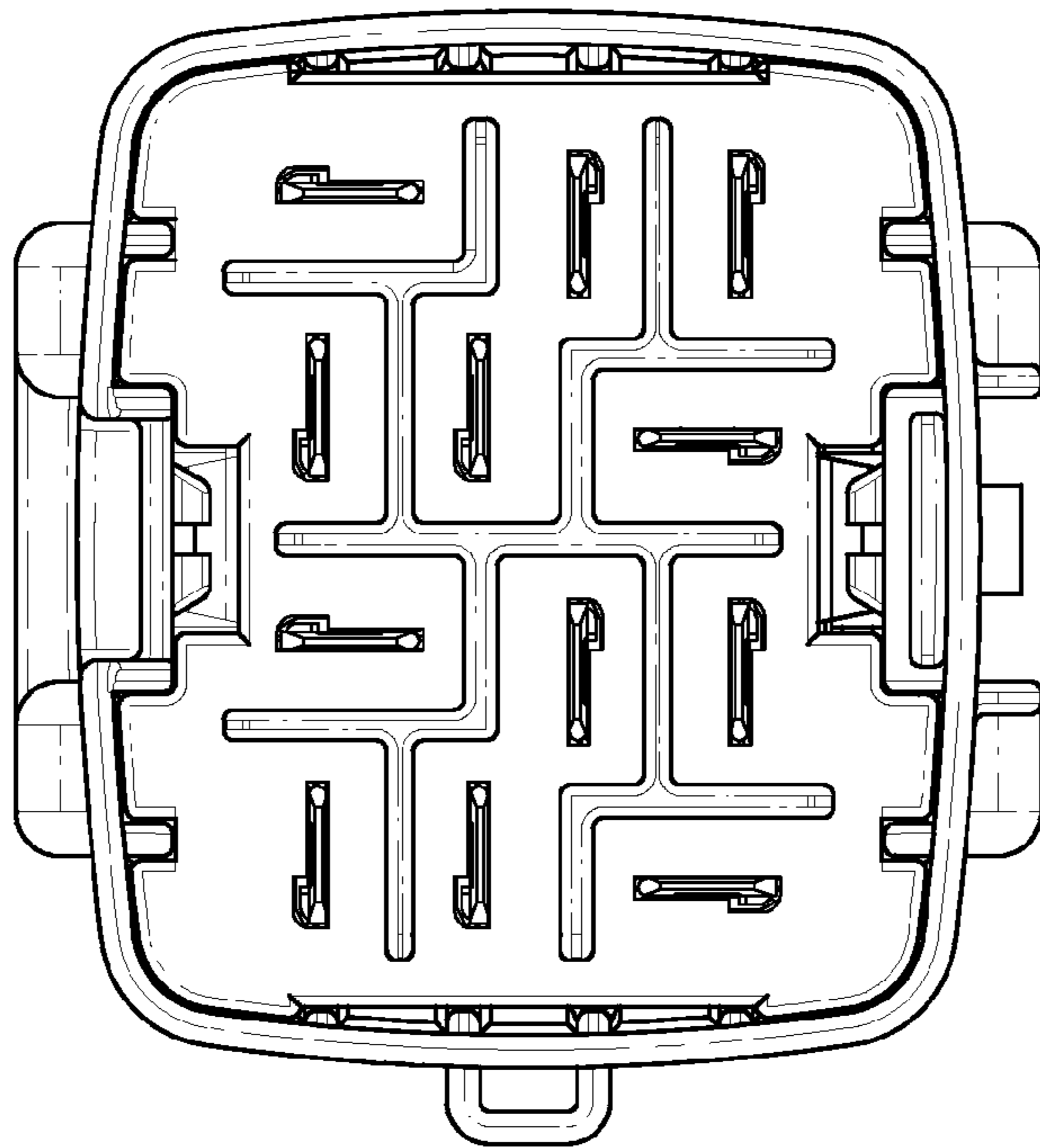


FIG. 2

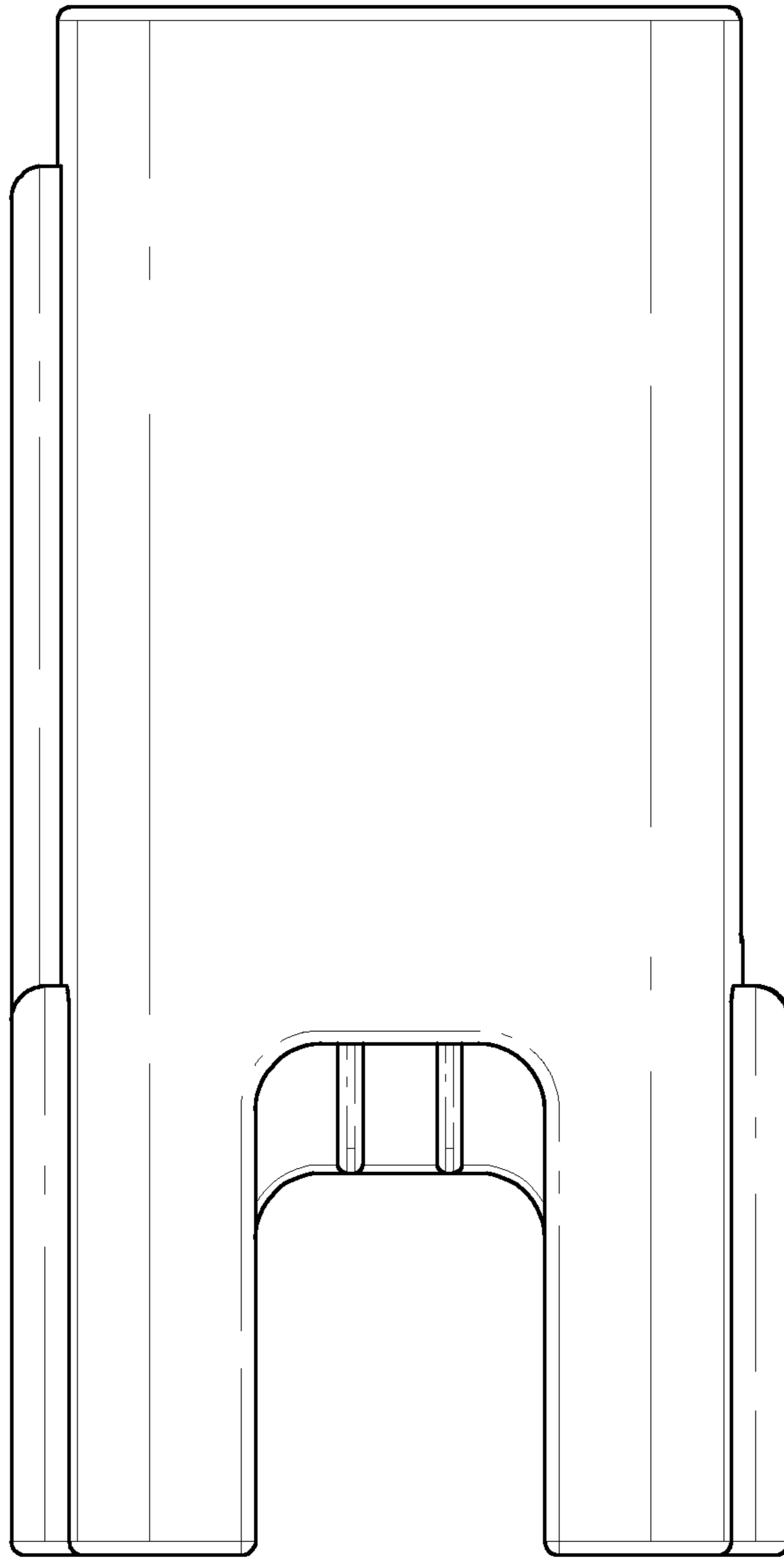


FIG. 3

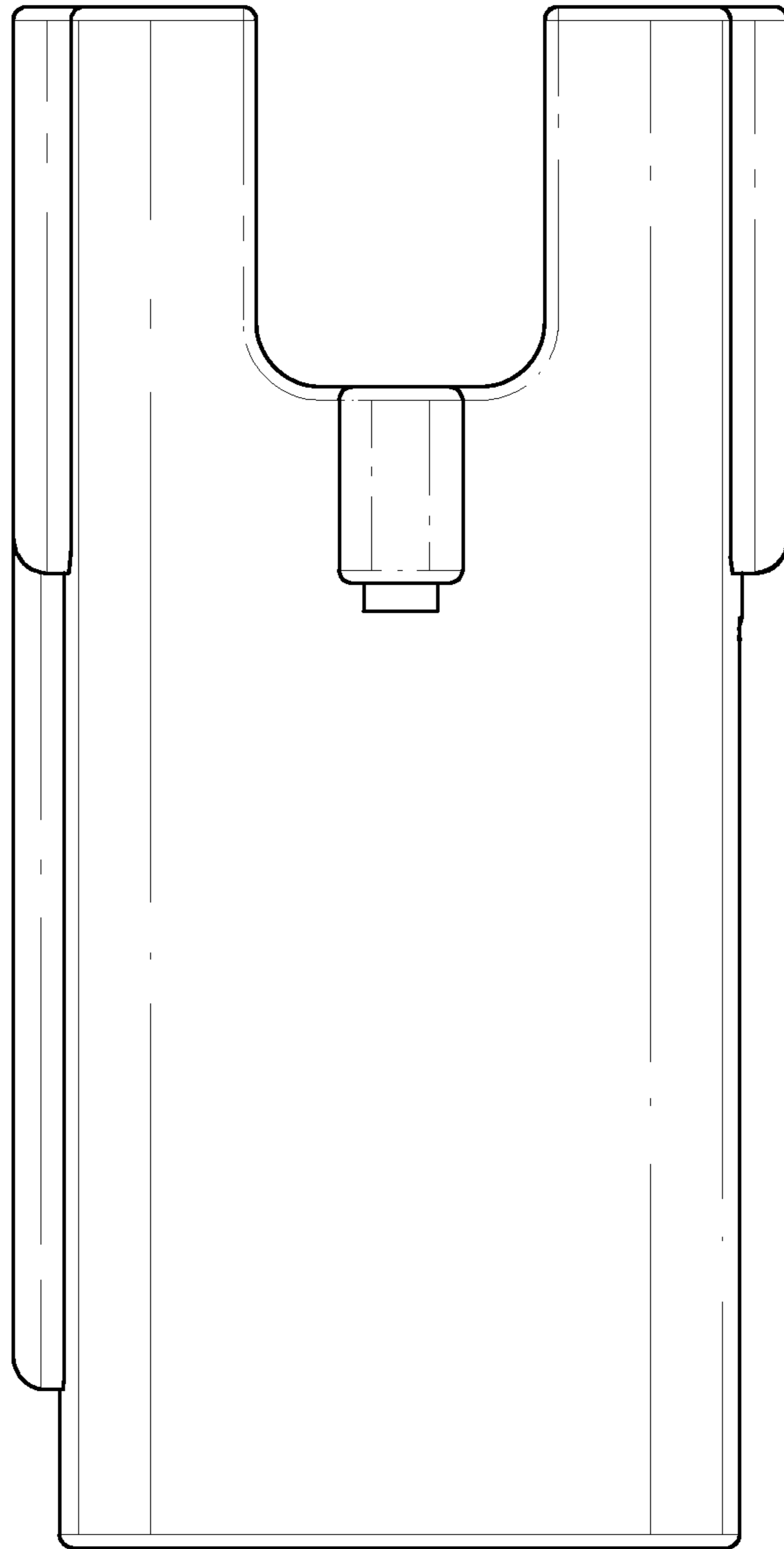


FIG. 4

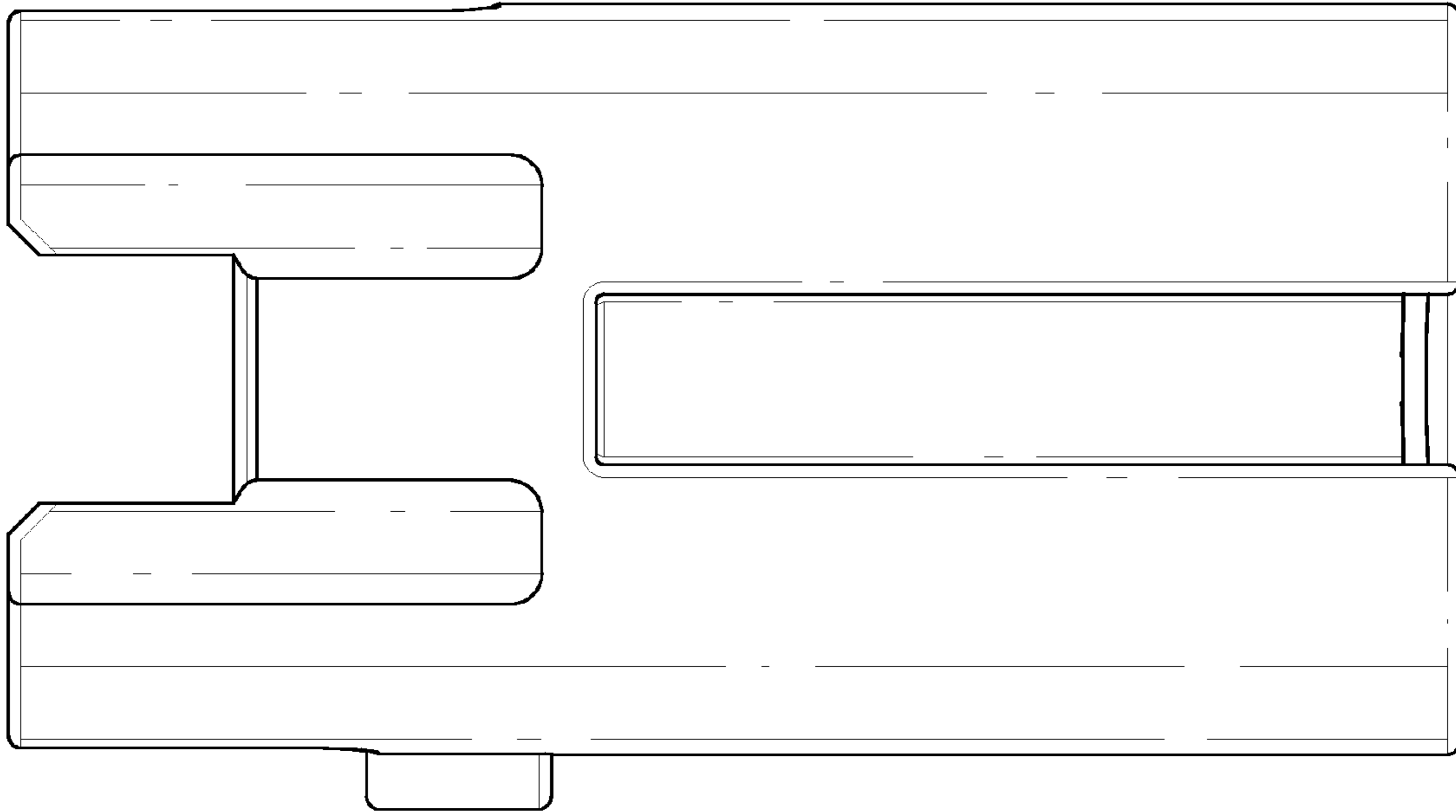


FIG. 5

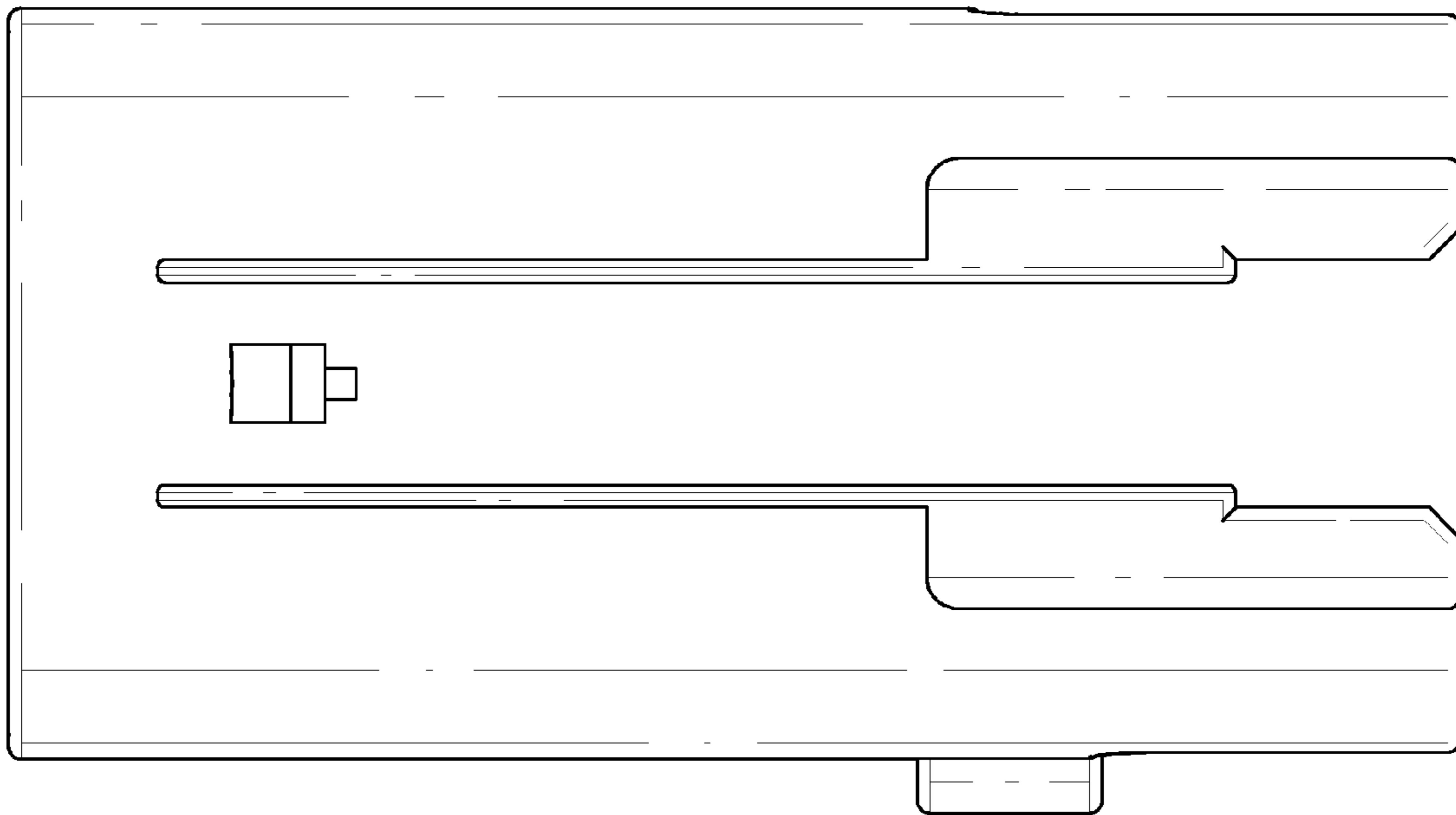


FIG. 6

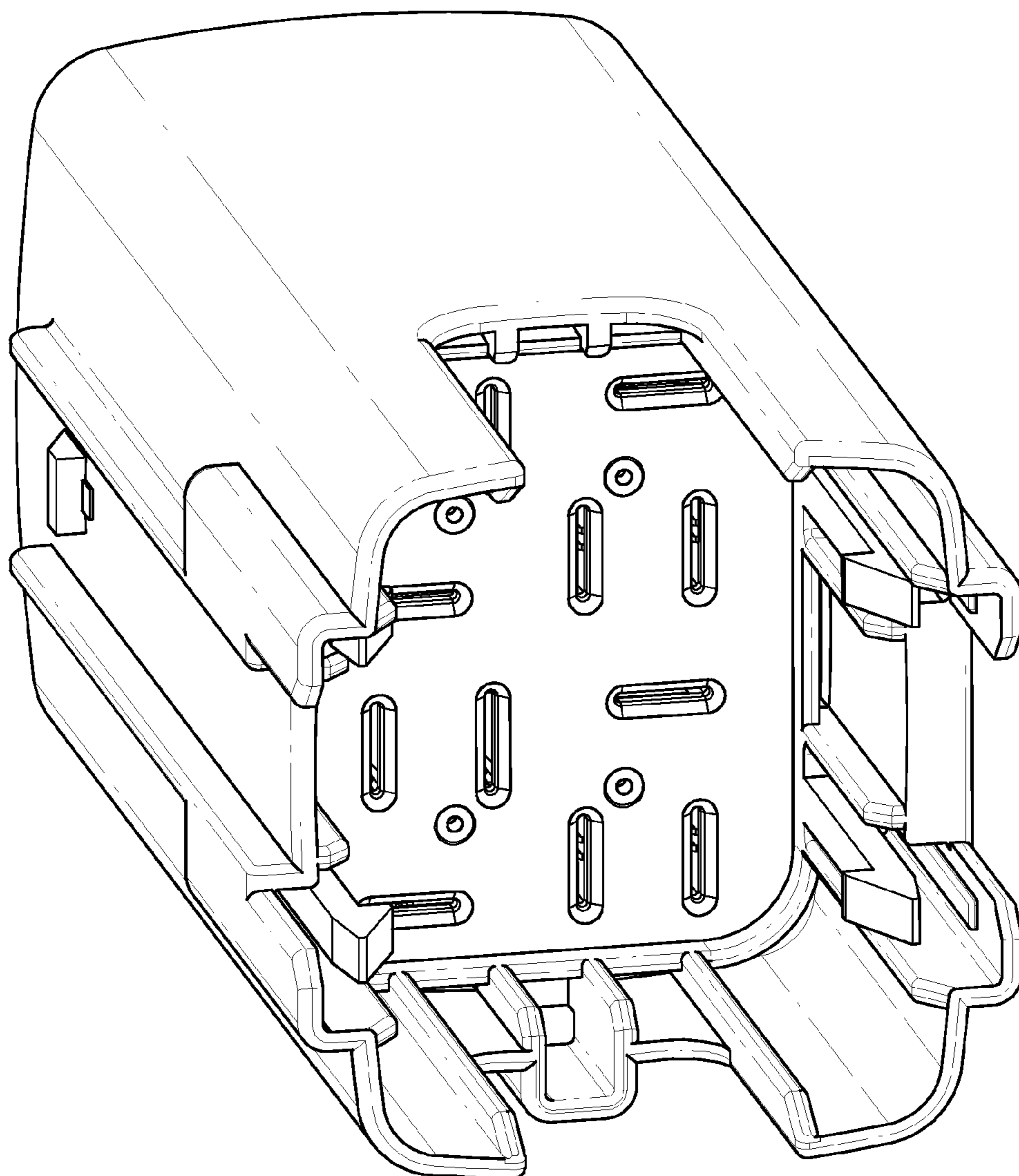


FIG. 7

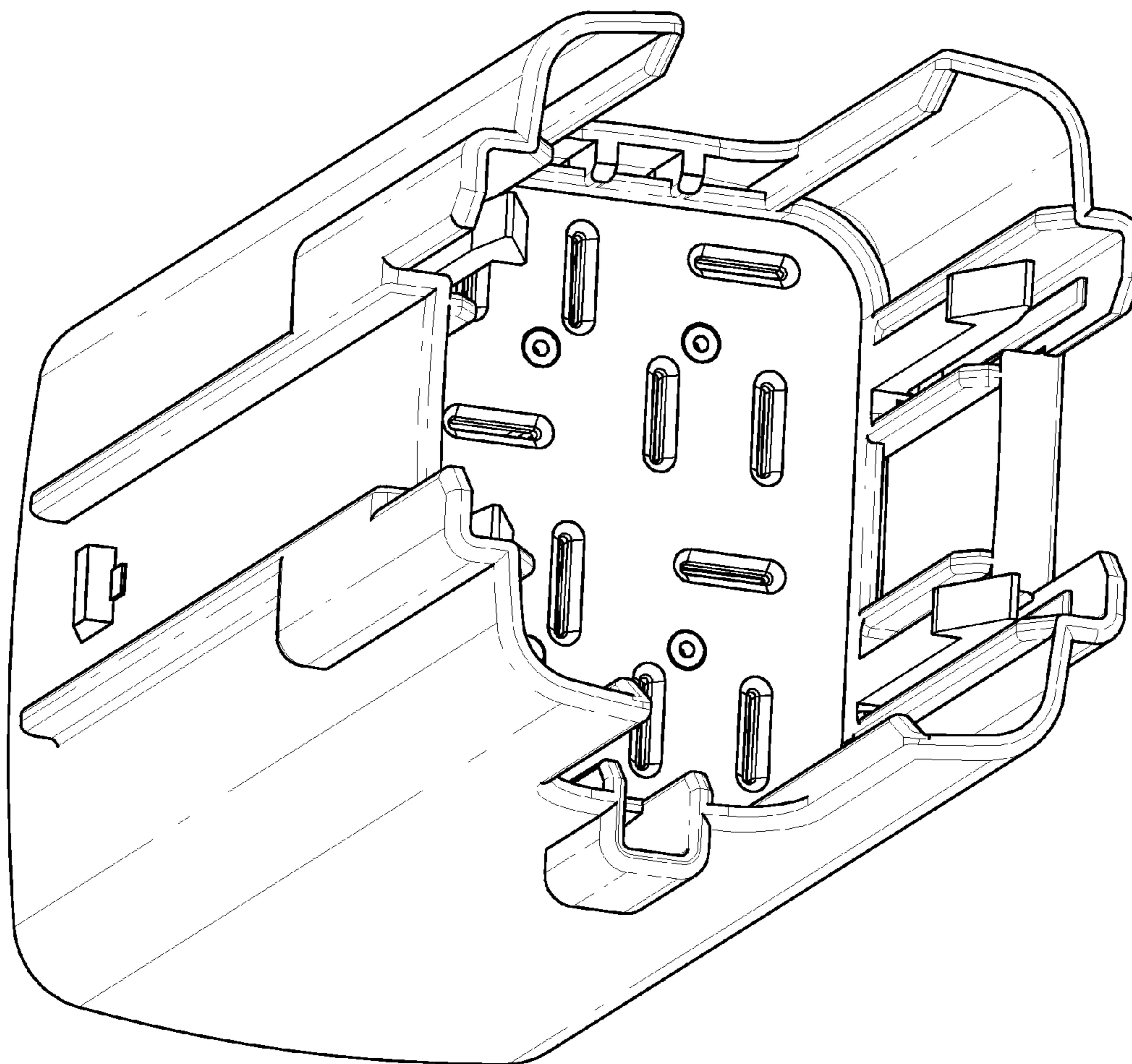


FIG. 8

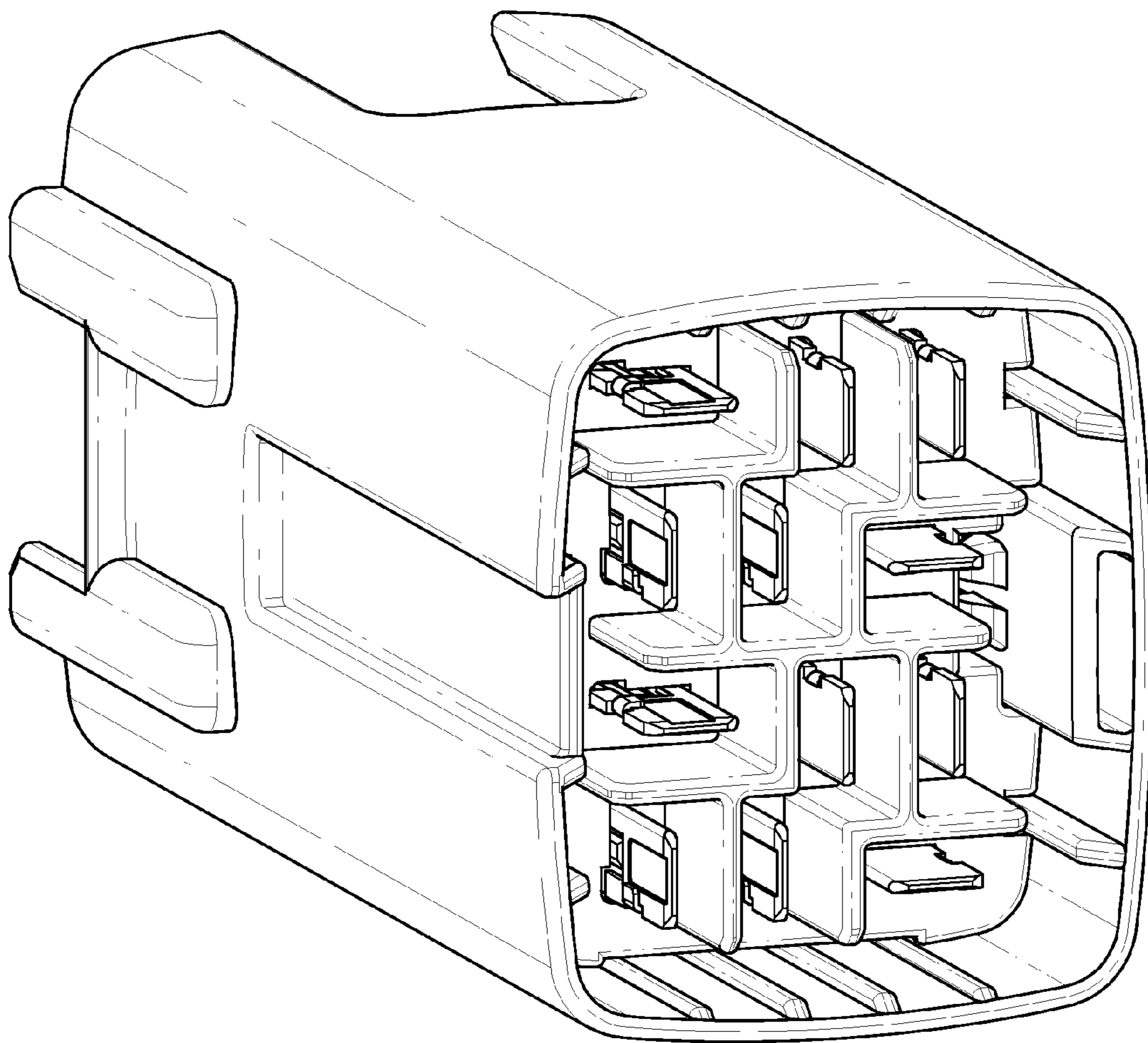


FIG. 9

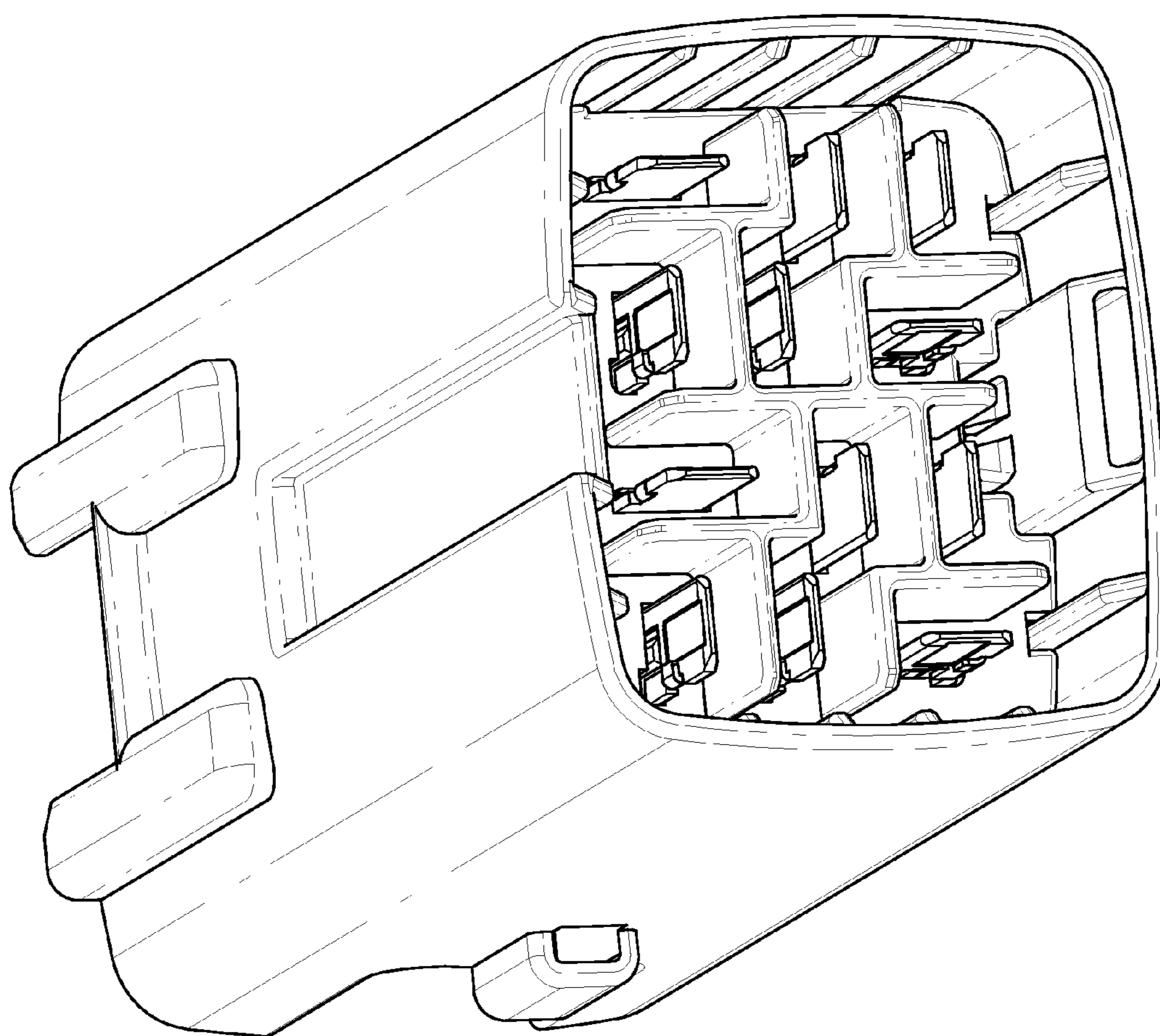


FIG. 10

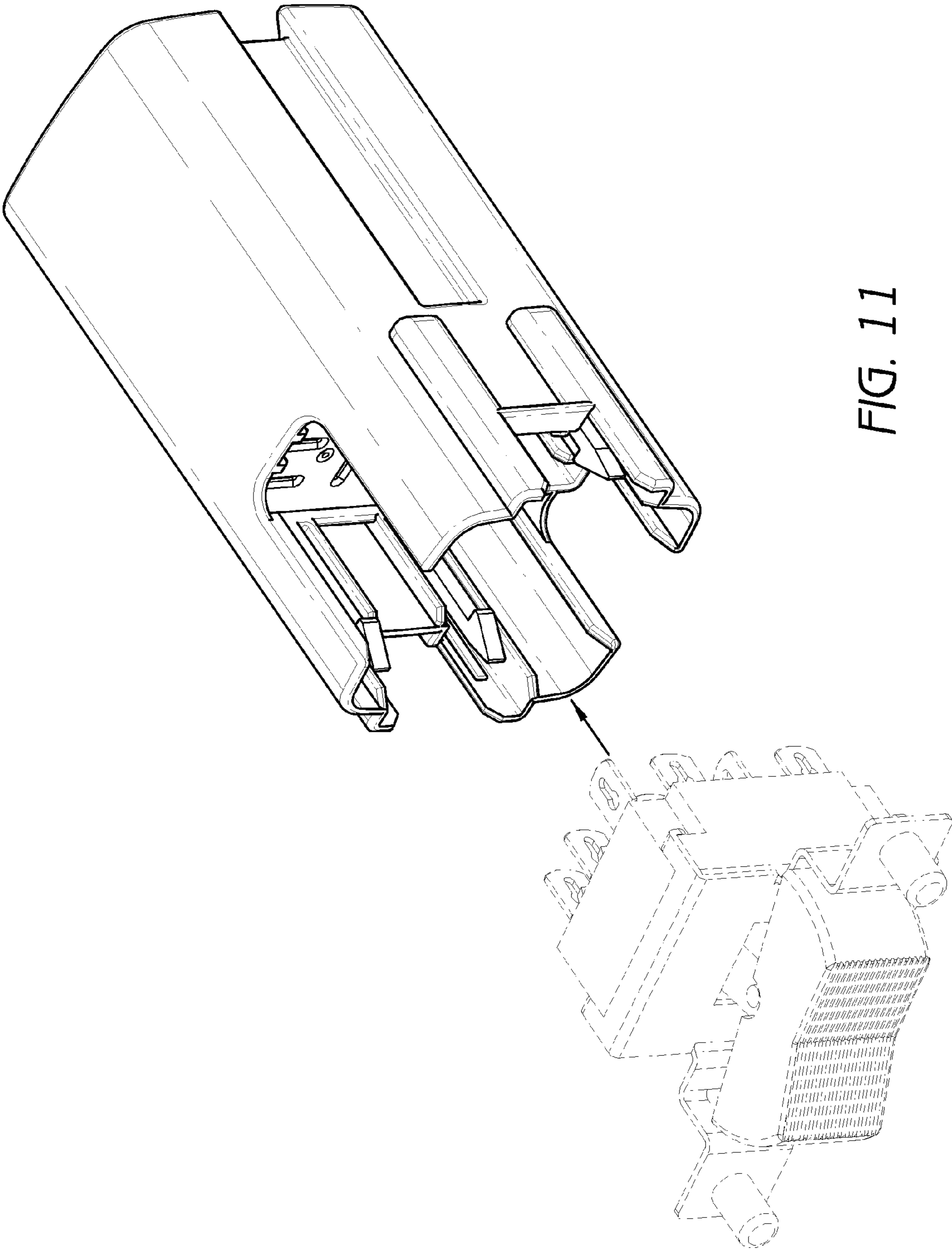


FIG. 11