



US00D686157S

(12) **United States Design Patent**  
**Kawase et al.**

(10) **Patent No.:** **US D686,157 S**  
(45) **Date of Patent:** **\*\* Jul. 16, 2013**

(54) **BATTERY BOX**

(75) Inventors: **Tomonori Kawase, Anjo (JP); Hideki Abe, Anjo (JP)**

(73) Assignee: **Makita Corporation, Anjo (JP)**

(\*\*) Term: **14 Years**

(21) Appl. No.: **29/386,805**

(22) Filed: **Mar. 4, 2011**

(30) **Foreign Application Priority Data**

Sep. 22, 2010 (JP) ..... 2010-22781

(51) **LOC (9) Cl.** ..... **13-02**

(52) **U.S. Cl.**  
USPC ..... **D13/119**

(58) **Field of Classification Search**  
USPC ..... D13/102-108, 110, 118-121, 184,  
D13/199; 429/96-100, 149, 163, 176, 187;  
220/532, 533; 180/68.5

See application file for complete search history.

(56) **References Cited**

**U.S. PATENT DOCUMENTS**

D235,454 S *	6/1975	Lindow, Jr. ....	D13/119
D252,354 S *	7/1979	Uyeda ..... ..	D3/302
D303,651 S *	9/1989	Strumor ..... ..	D13/102
D321,680 S *	11/1991	Blount et al. ....	D13/103
D419,137 S *	1/2000	Gaffney et al. ....	D13/103

6,367,646 B1 *	4/2002	Hoagland et al. ....	220/533
D495,994 S	9/2004	Arakelian	
D499,070 S *	11/2004	Lavington ..... ..	D13/119
D517,479 S *	3/2006	Schemm ..... ..	D13/119
D517,987 S *	3/2006	Castagnola et al. ....	D13/119
D517,988 S *	3/2006	Ihde et al. .... ..	D13/119
D562,229 S *	2/2008	Peters ..... ..	D13/103
D592,134 S *	5/2009	Brockington ..... ..	D13/119
D607,405 S *	1/2010	Mack ..... ..	D13/119
D659,088 S *	5/2012	Steinberg ..... ..	D13/106

\* cited by examiner

*Primary Examiner* — Rosemary K Tarcza

(74) *Attorney, Agent, or Firm* — Oliff & Berridge, PLC

(57) **CLAIM**

The ornamental design for a battery box, as shown and described.

**DESCRIPTION**

FIG. 1 is a front perspective view of a battery box showing our new design;

FIG. 2 is a rear perspective view thereof;

FIG. 3 is a front elevation view thereof;

FIG. 4 is a rear elevation view thereof;

FIG. 5 is a left side elevation view thereof;

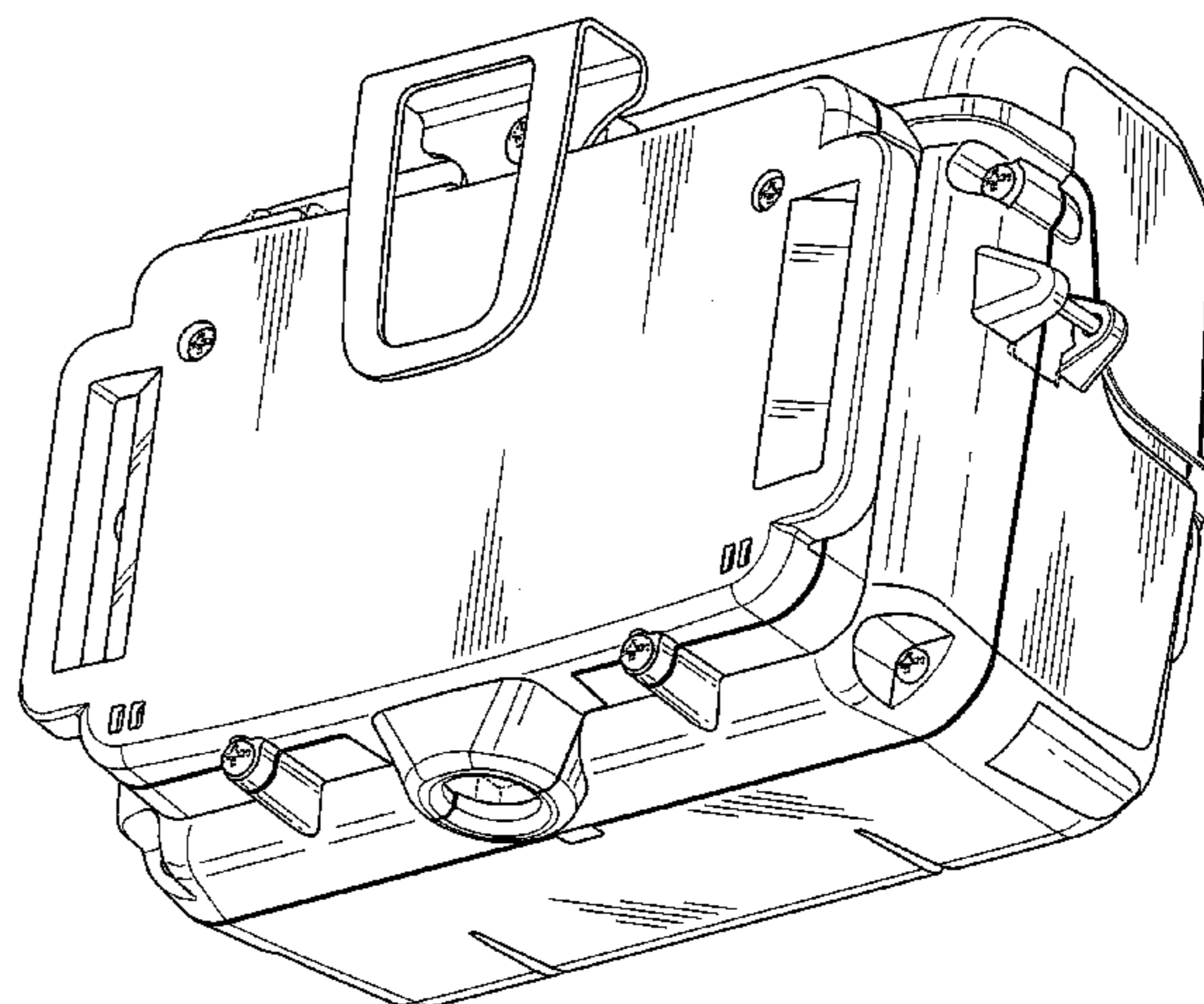
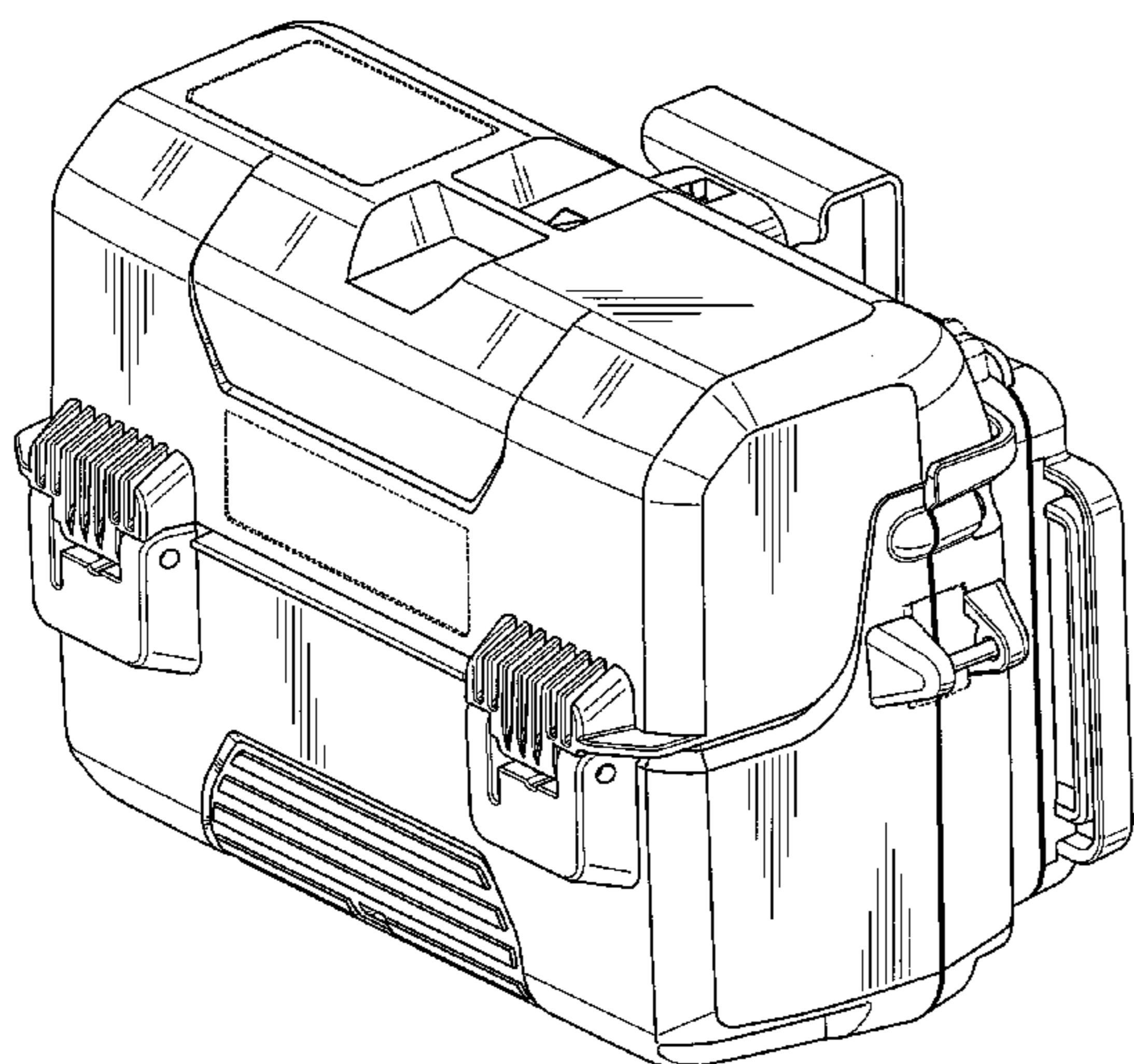
FIG. 6 is a right side elevation view thereof;

FIG. 7 is a top plan view thereof; and,

FIG. 8 is a bottom plan view thereof.

The broken lines depict environmental subject matter only and form no part of the claimed design.

**1 Claim, 8 Drawing Sheets**



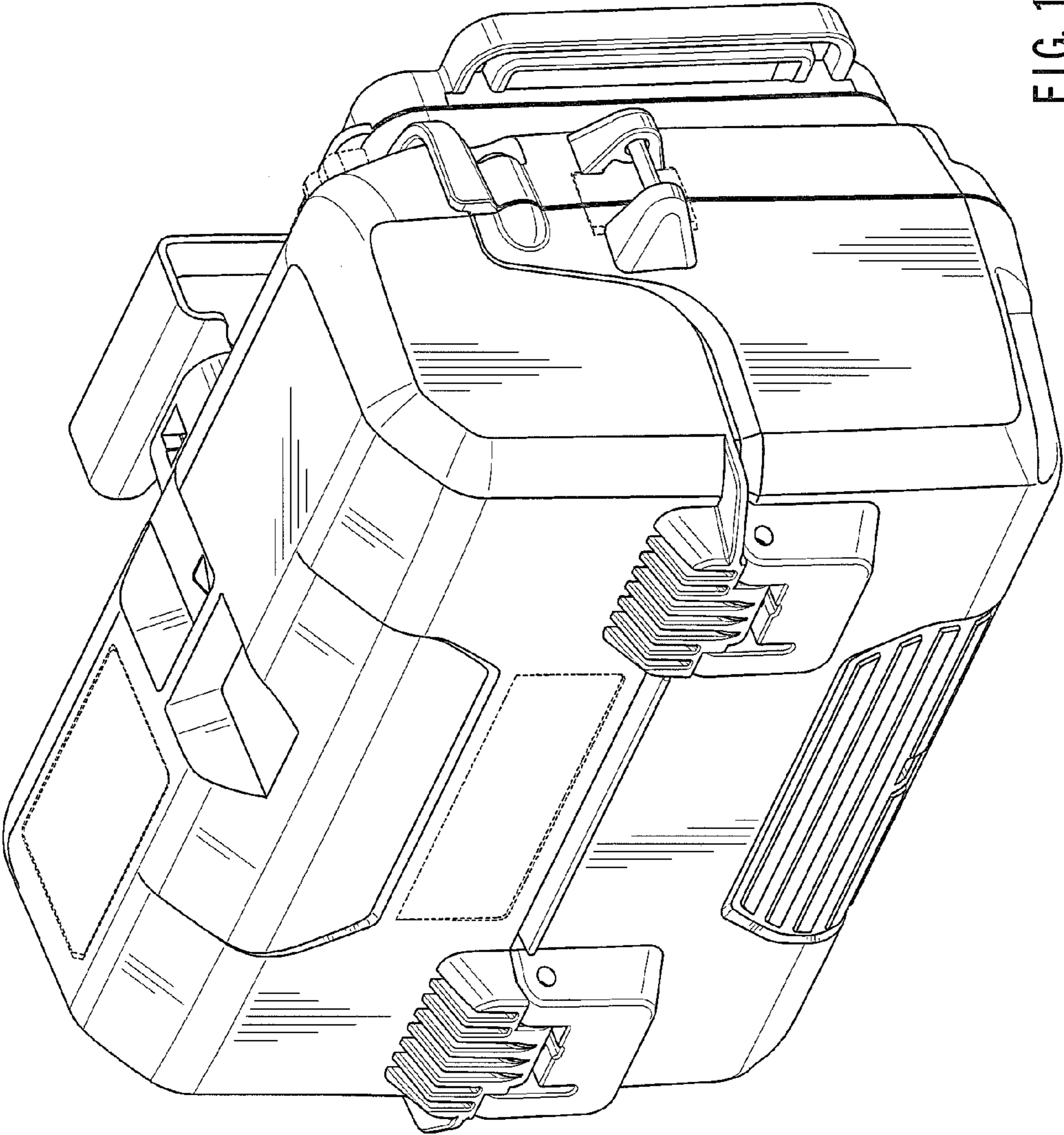


FIG. 1

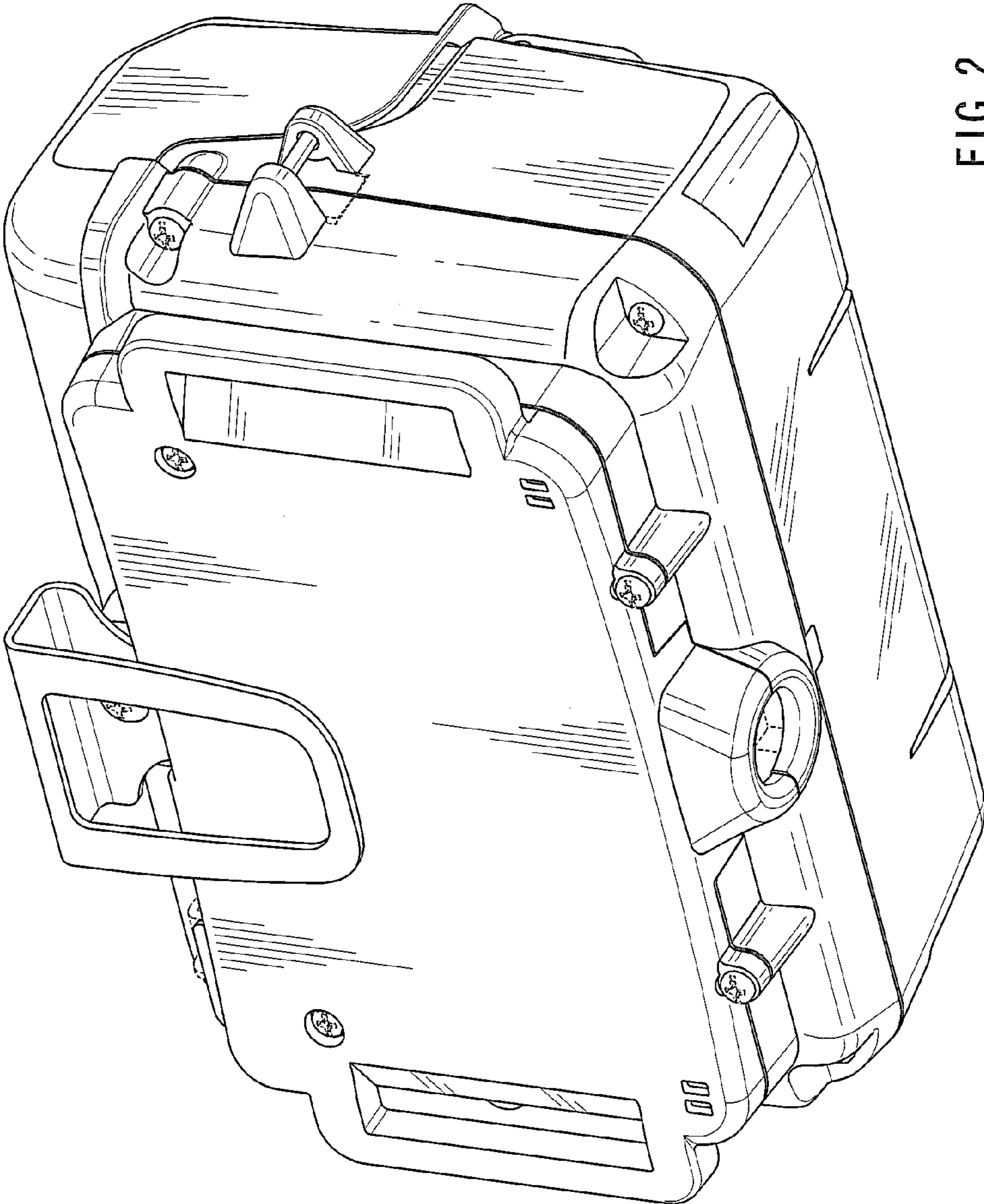


FIG. 2

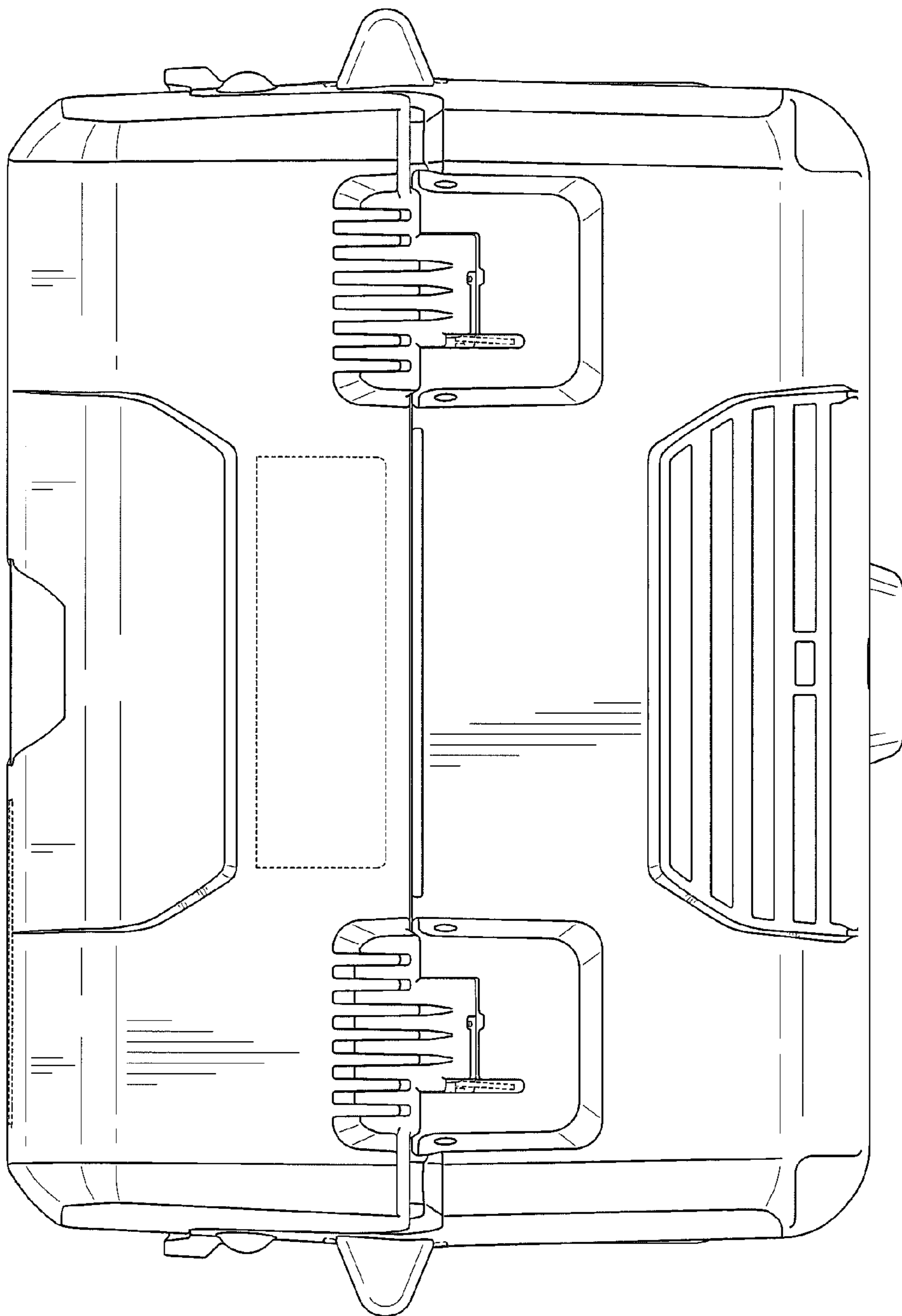


FIG. 3

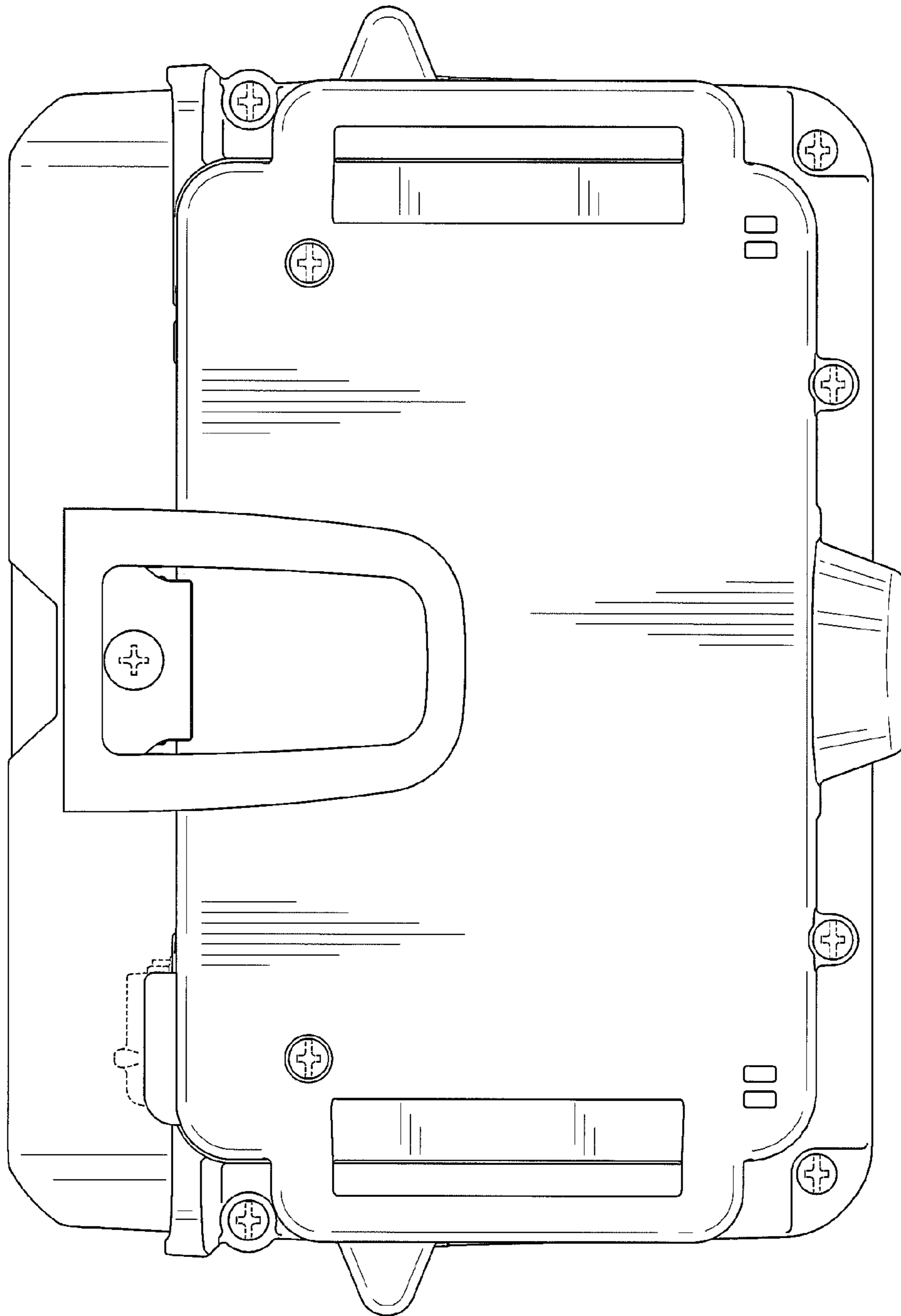


FIG. 4

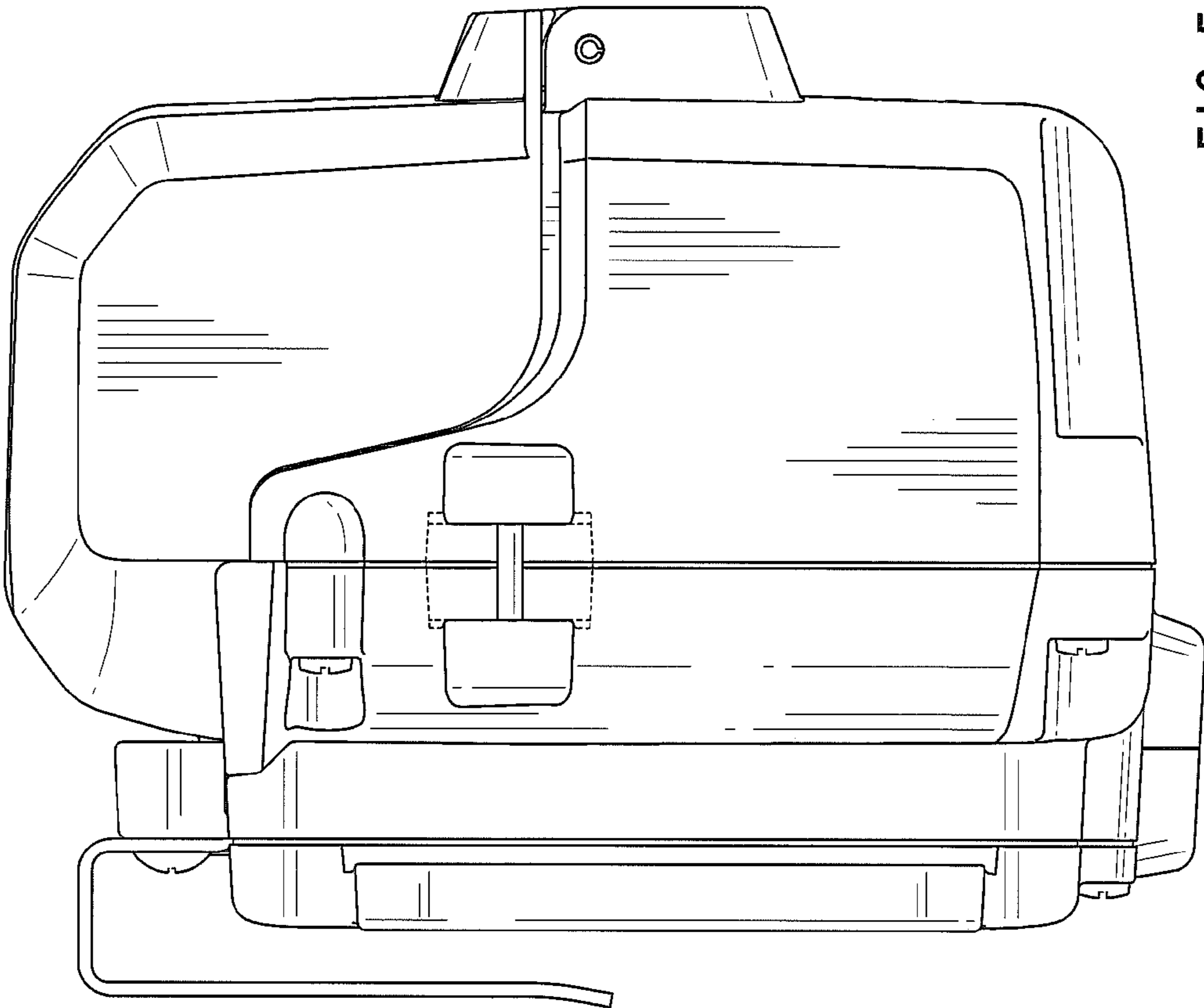


FIG. 5

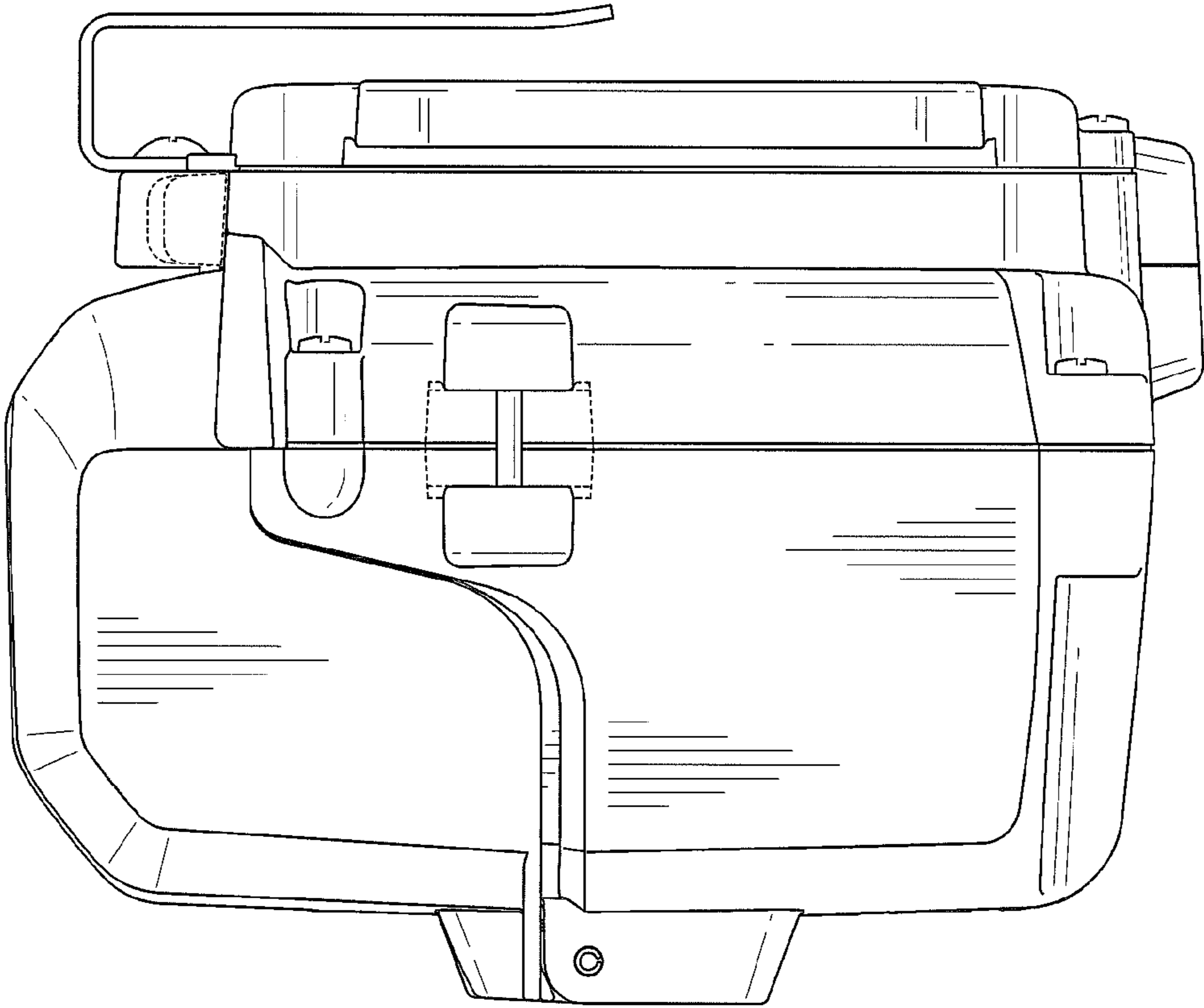


FIG. 6

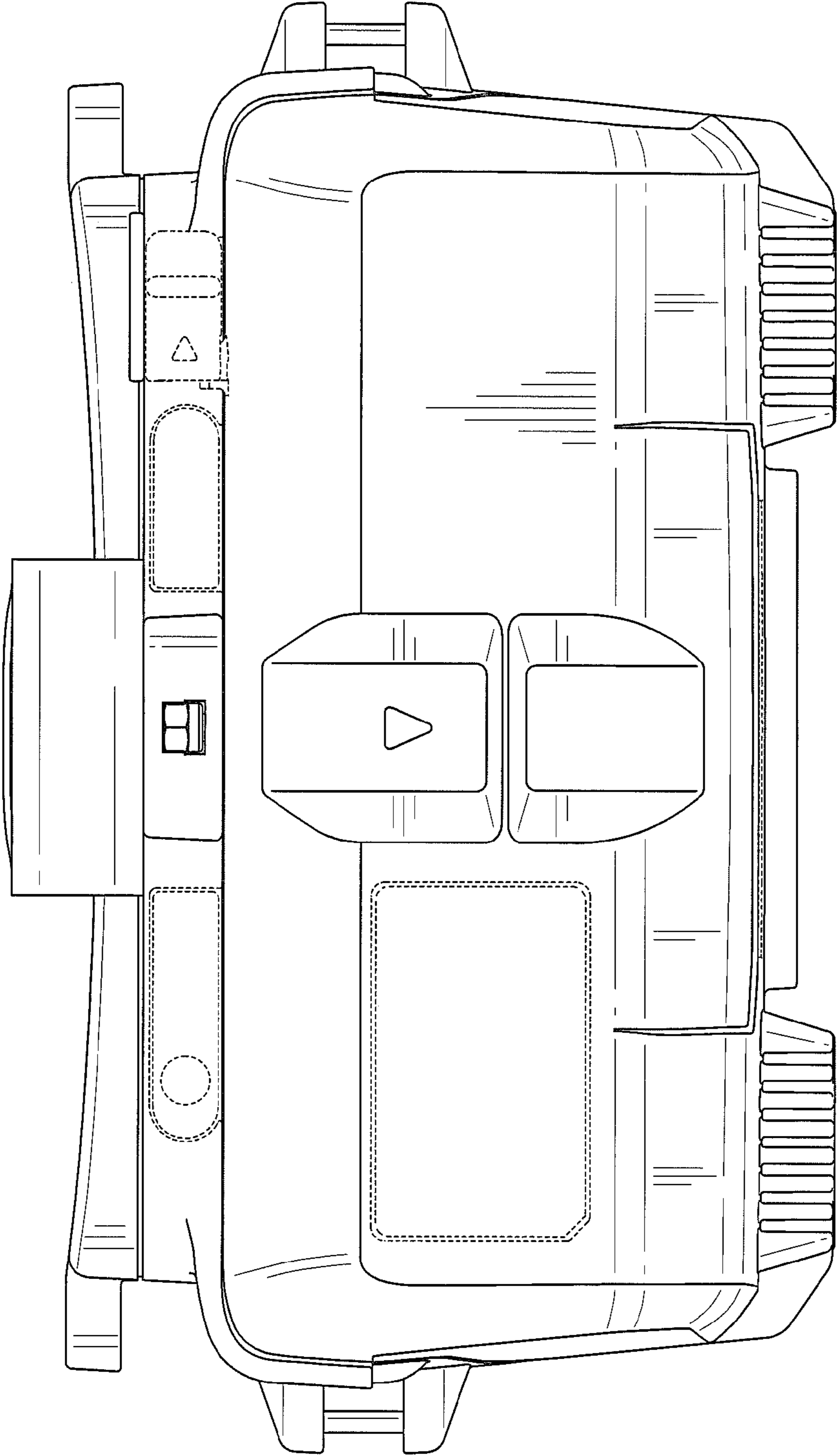


FIG. 7



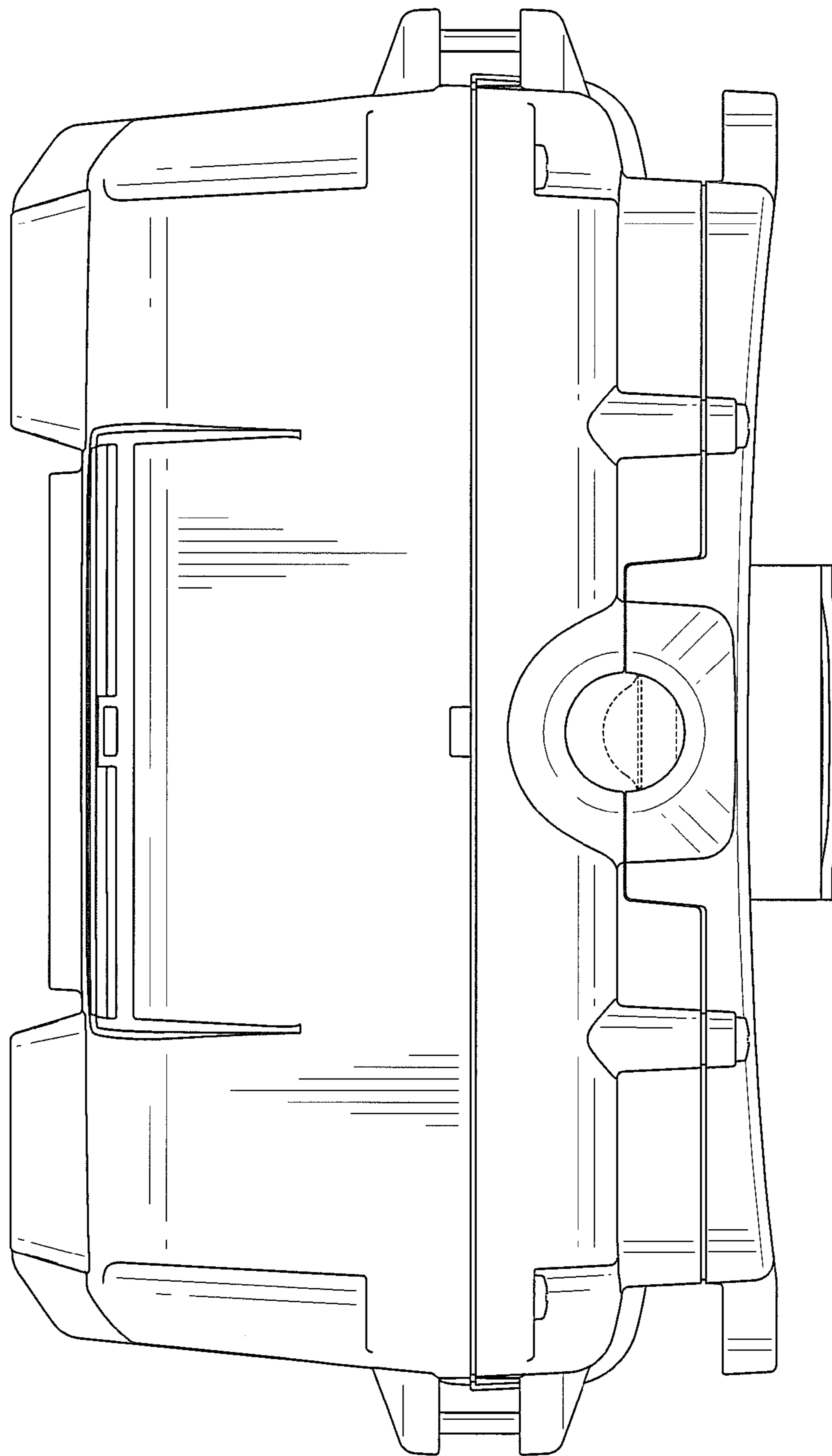


FIG. 8