



US00D686155S

(12) **United States Design Patent**
Nguyen

(10) **Patent No.:** **US D686,155 S**
(45) **Date of Patent:** **** Jul. 16, 2013**

- (54) **BATTERY PACK FOR A PORTABLE LIGHT**
- (71) Applicant: **Surefire LLC**, Fountain Valley, CA (US)
- (72) Inventor: **Kevin Nguyen**, Fountain Valley, CA (US)
- (73) Assignee: **Surefire LLC**, Fountain Valley, CA (US)
- (**) Term: **14 Years**
- (21) Appl. No.: **29/439,694**
- (22) Filed: **Dec. 13, 2012**
- (51) **LOC (9) Cl.** **13-02**
- (52) **U.S. Cl.**
USPC **D13/103**
- (58) **Field of Classification Search**
USPC D13/102–108, 110, 118–121, 184,
D13/199; 429/96–100, 163, 176
See application file for complete search history.

(56) **References Cited**

U.S. PATENT DOCUMENTS

D376,579	S	*	12/1996	Bunyea et al.	D13/103
D388,051	S	*	12/1997	Harada et al.	D13/103
5,709,964	A	*	1/1998	Christensen et al.	429/153
D392,249	S	*	3/1998	Nakazawa et al.	D13/103
D400,160	S	*	10/1998	Nagano	D13/103
D401,901	S	*	12/1998	Bunyea et al.	D13/119
D413,858	S	*	9/1999	Murakami et al.	D13/103
D427,140	S	*	6/2000	Luh et al.	D13/103
D427,141	S	*	6/2000	Luh et al.	D13/103
D427,142	S	*	6/2000	Luh et al.	D13/103
D427,964	S	*	7/2000	Smith et al.	D13/103
D428,385	S	*	7/2000	Luh et al.	D13/103
6,936,375	B2	*	8/2005	Imamura et al.	429/96
D539,216	S	*	3/2007	Hamaguchi	D13/103
D539,217	S	*	3/2007	Hamaguchi	D13/103
D543,143	S	*	5/2007	Hamaguchi	D13/103
D574,768	S	*	8/2008	Witte	D13/103
D577,333	S	*	9/2008	Daniel et al.	D13/103

D593,488	S	*	6/2009	Harrison et al.	D13/103
D598,844	S	*	8/2009	Harrison et al.	D13/103
D603,331	S	*	11/2009	Schupp	D13/103
D623,589	S	*	9/2010	Tarter et al.	D13/103
D633,034	S	*	2/2011	Heine et al.	D13/103
D664,498	S	*	7/2012	Liu	D13/103
D674,746	S	*	1/2013	Zhang et al.	D13/102
2011/0091758	A1	*	4/2011	Loukusa et al.	429/100

* cited by examiner

Primary Examiner — Rosemary K Tarcza

(74) *Attorney, Agent, or Firm* — Daniel L. Dawes; Marcus C. Dawes

(57) **CLAIM**

The ornamental design for a battery pack for a portable light, as shown and described in the figures.

DESCRIPTION

FIG. 1 is a rear perspective view of the battery pack for a portable light of the present invention showing a grasping ring in its folded configuration.

FIG. 2 is a rear elevational view of the battery pack for a portable light of FIG. 1.

FIG. 3 is a right side elevational view of the battery pack for a portable light of FIG. 1.

FIG. 4 is a top plan view of the battery pack for a portable light of FIG. 1.

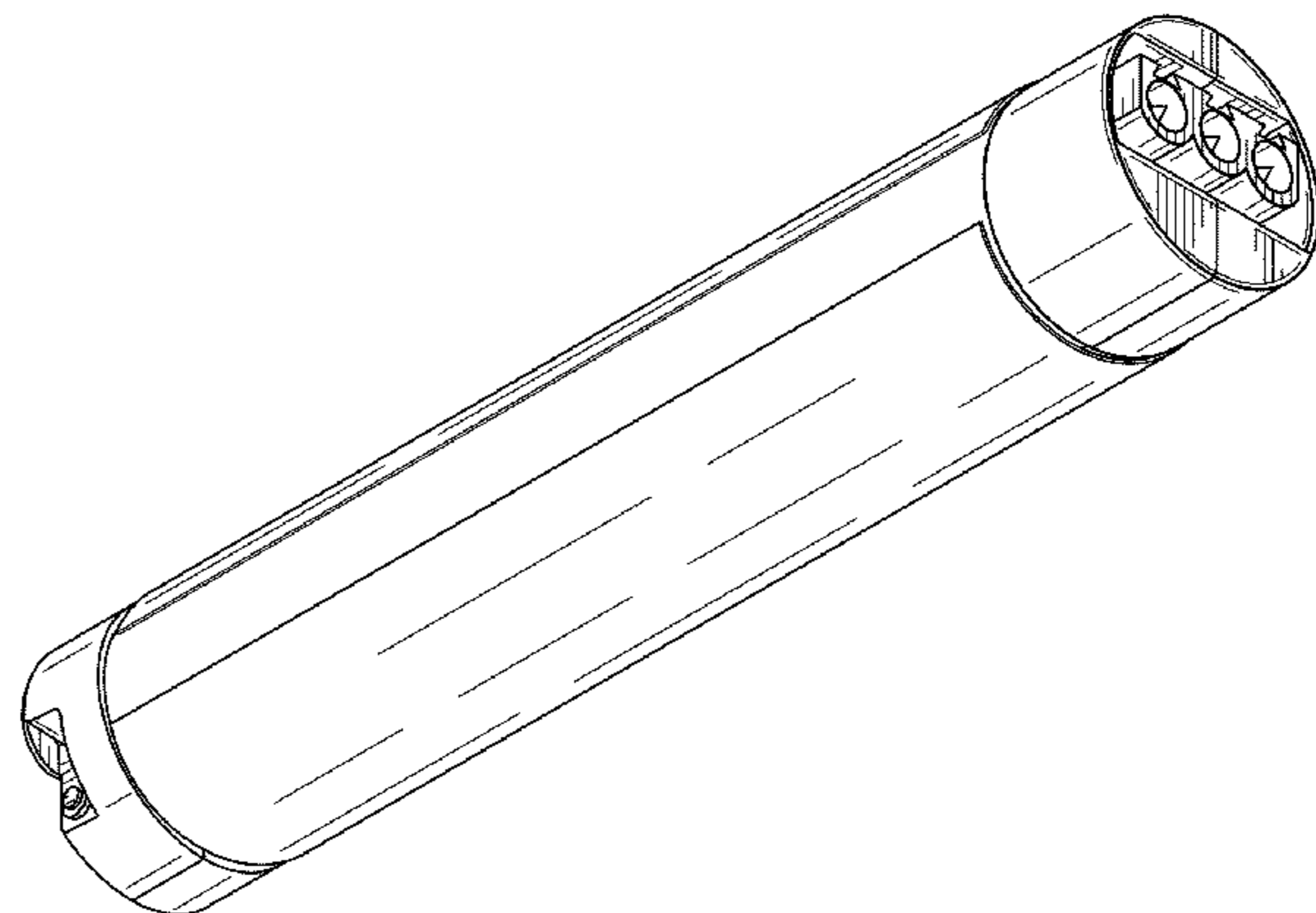
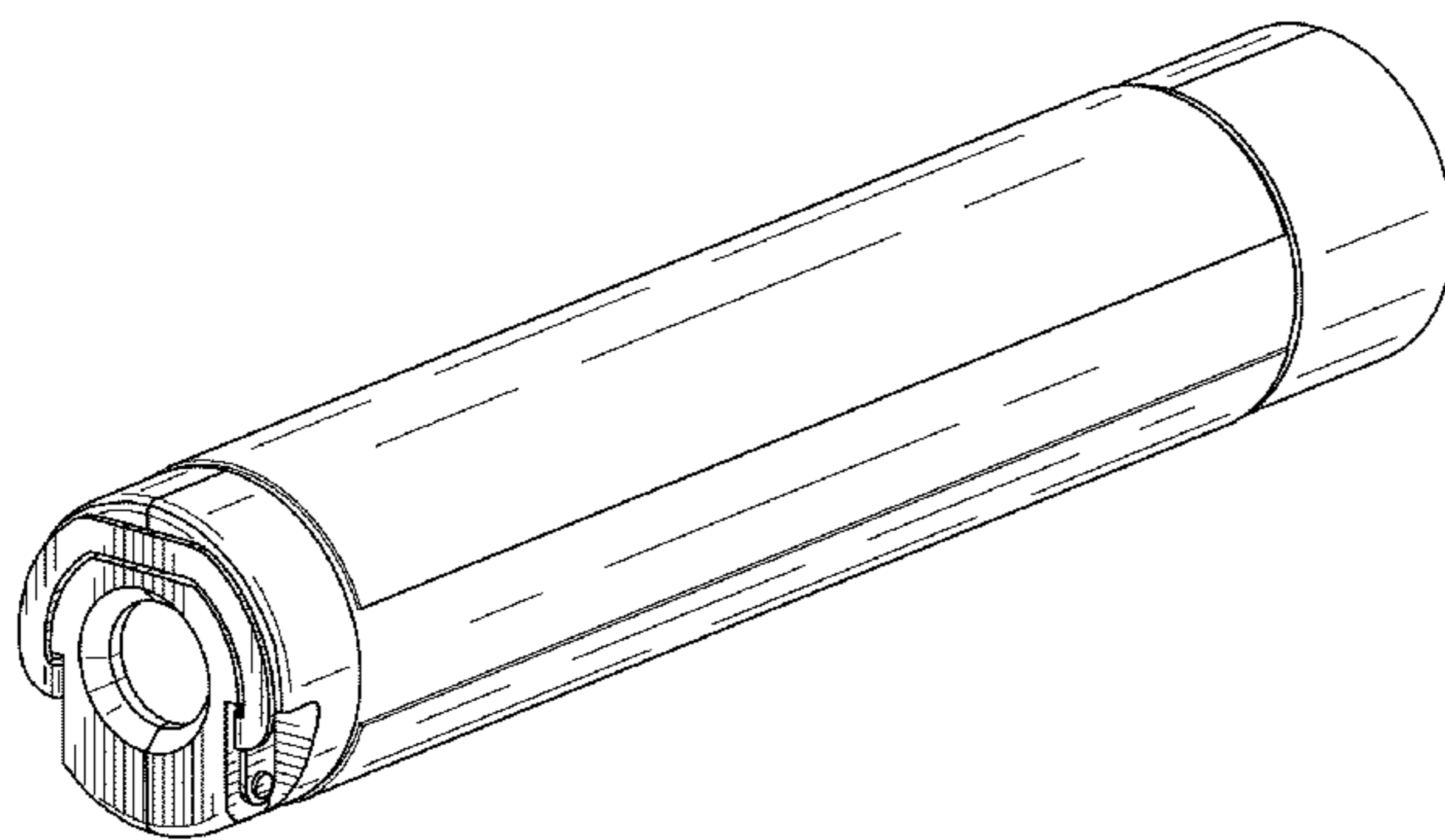
FIG. 5 is a left side elevational view of the battery pack for a portable light of FIG. 1.

FIG. 6 is a bottom plan view of the battery pack for a portable light of FIG. 1.

FIG. 7 is a front elevational view of the battery pack for a portable light of FIG. 1, showing the electrical terminals for connecting to the head of a portable light; and,

FIG. 8 is a front perspective view of the battery pack for a portable light of FIG. 1 showing the electrical terminals for connecting to the head of the portable light.

1 Claim, 2 Drawing Sheets



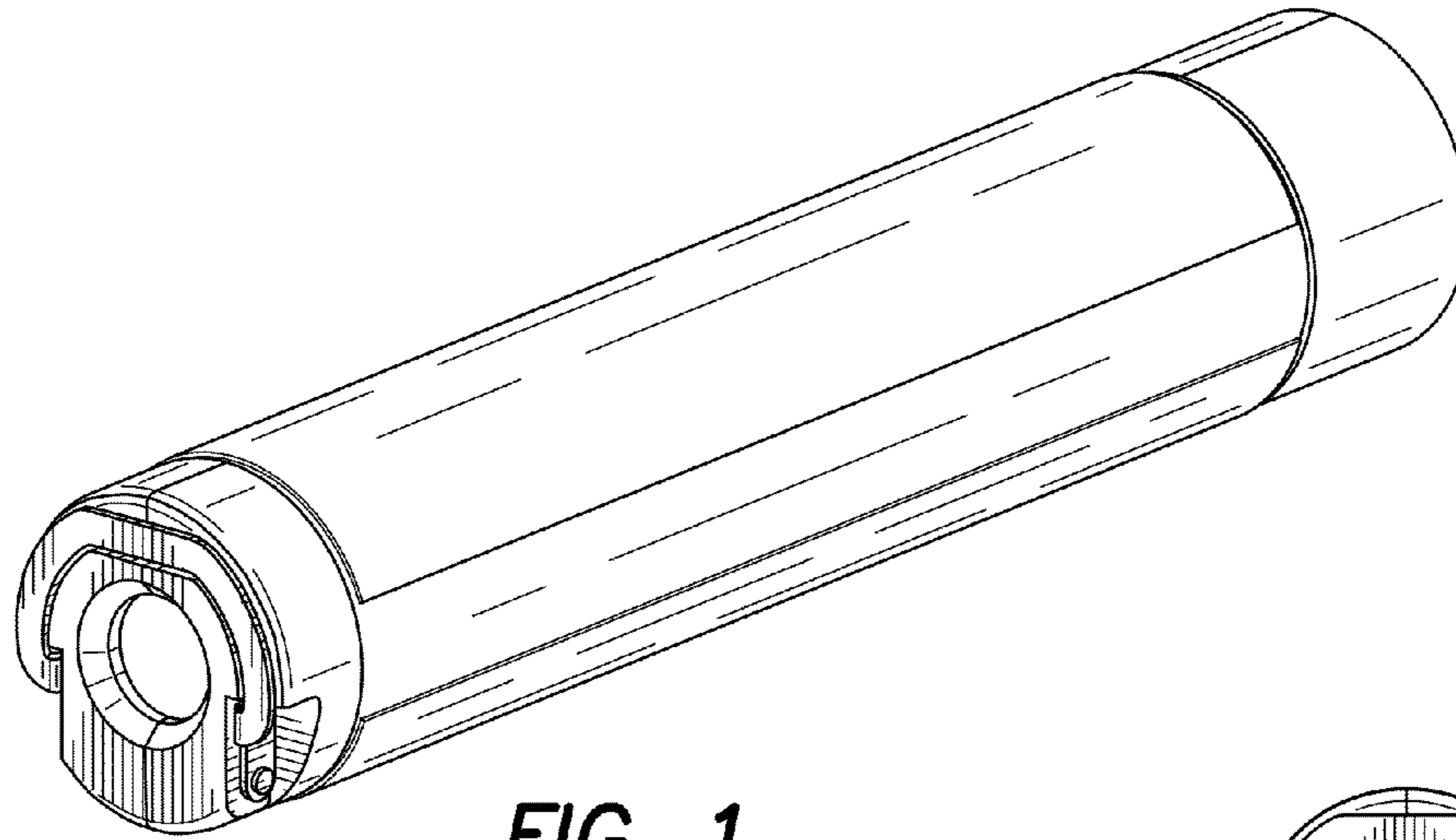


FIG. 1

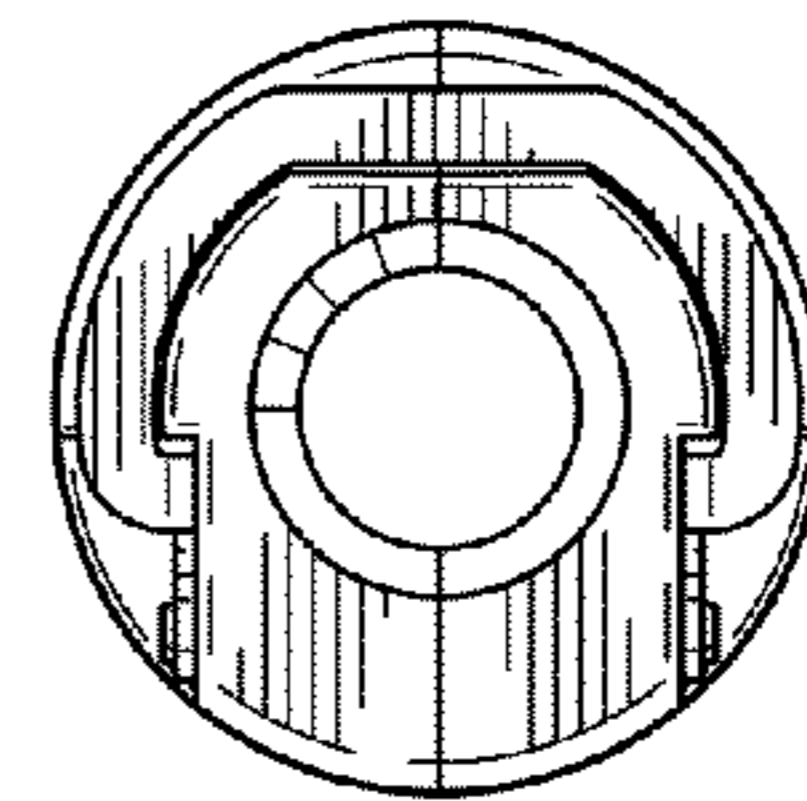


FIG. 2

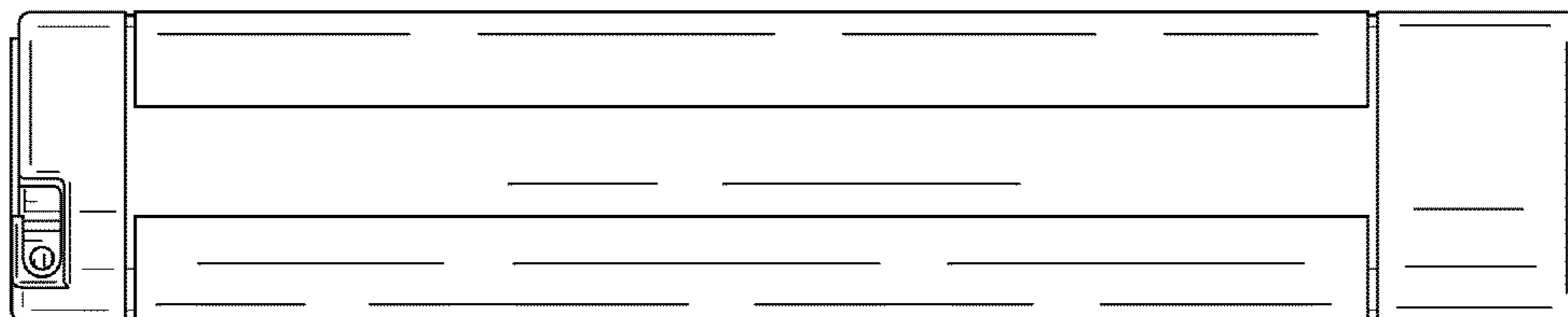


FIG. 3

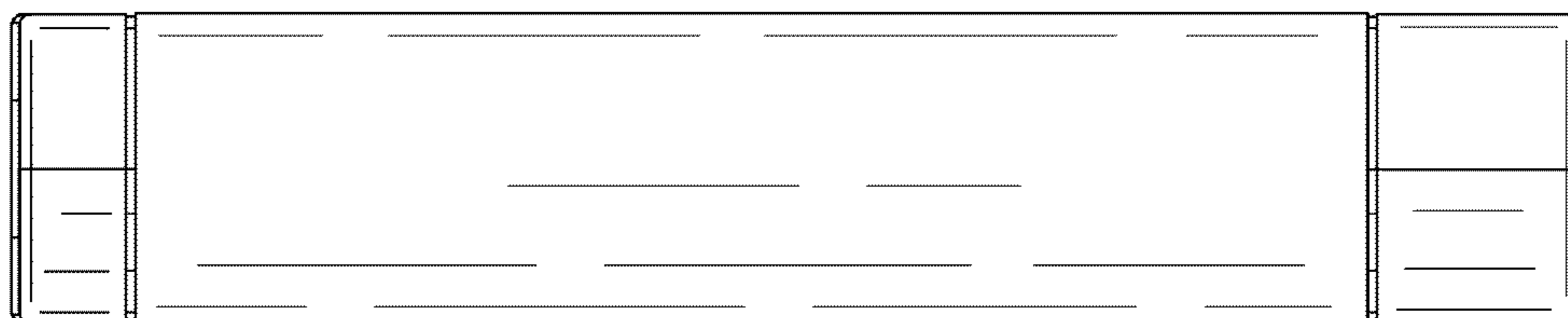


FIG. 4

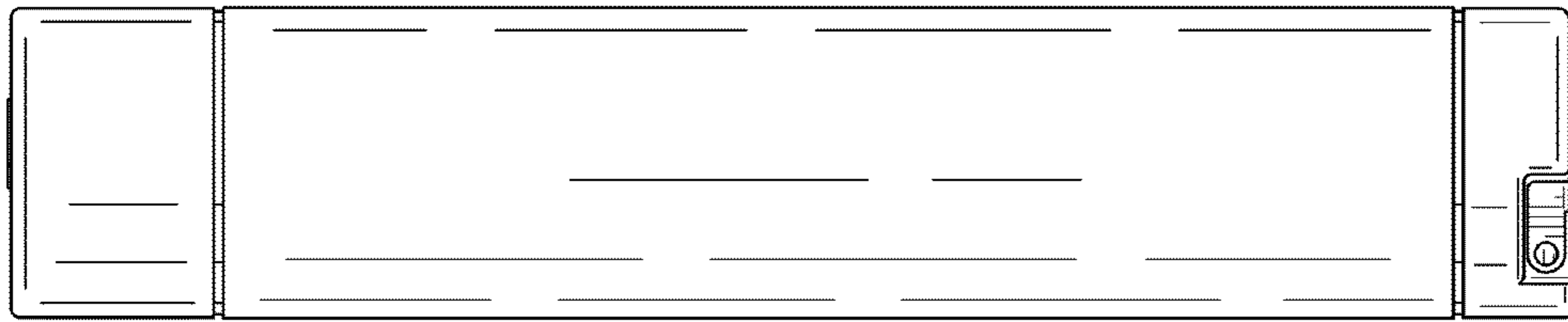


FIG. 5

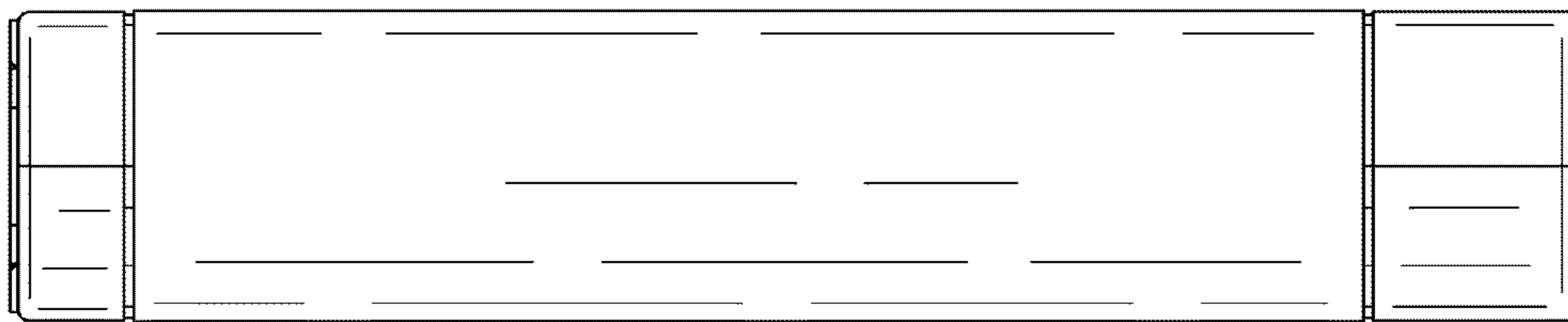


FIG. 6

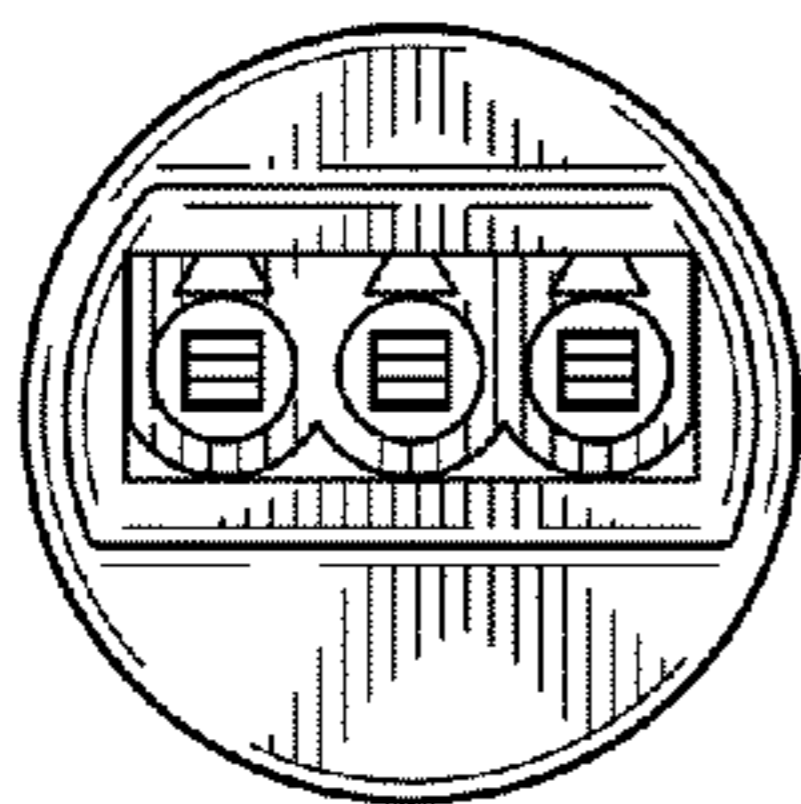


FIG. 7

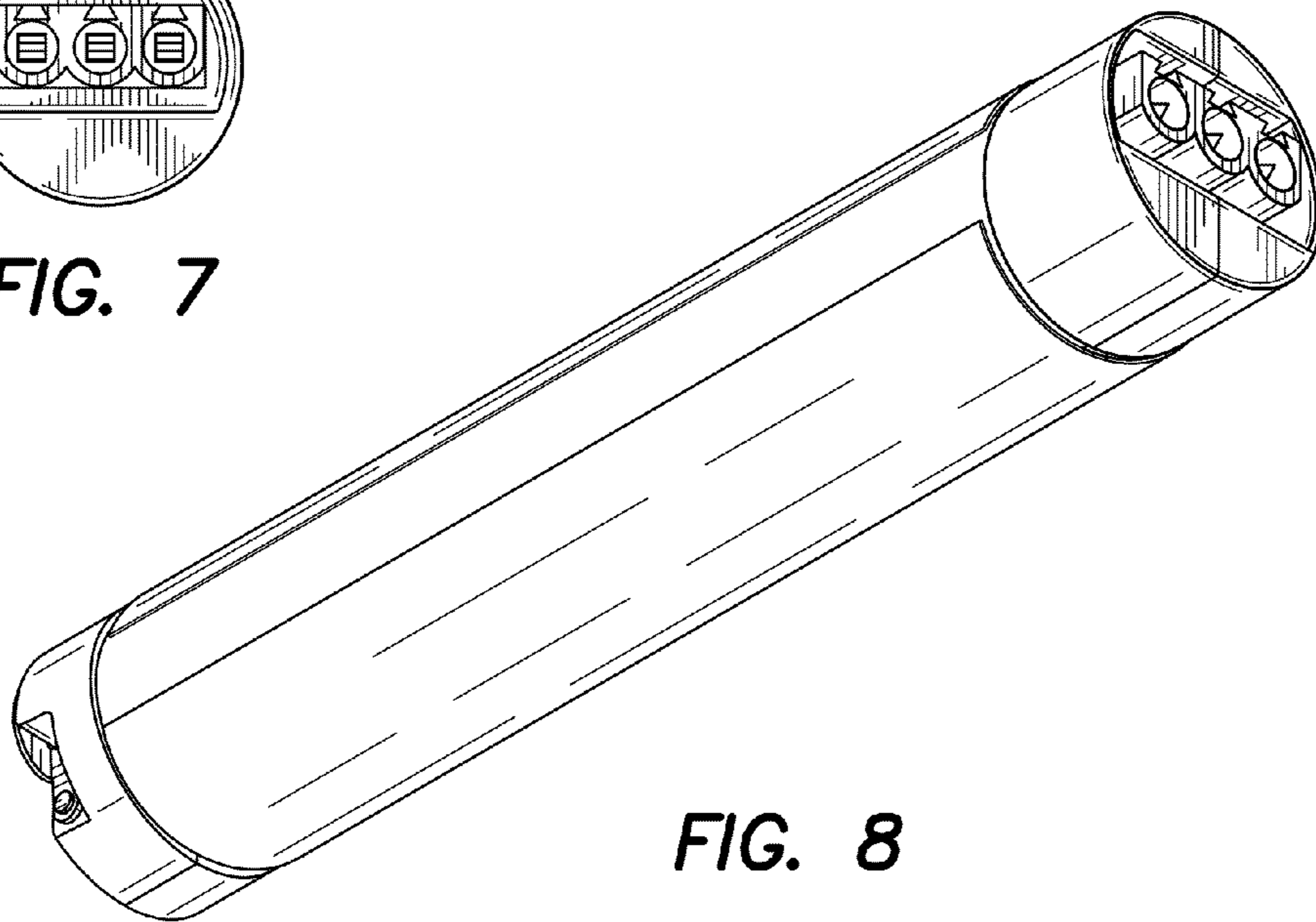


FIG. 8