



US00D686154S

(12) **United States Design Patent**
Hsu et al.

(10) **Patent No.:** **US D686,154 S**
(45) **Date of Patent:** **** Jul. 16, 2013**

- (54) **EXTERNAL BATTERY**
- (71) Applicant: **Acer Incorporated**, New Taipei (TW)
- (72) Inventors: **Chung-Hao Hsu**, New Taipei (TW);
Cheng-Nan Ling, New Taipei (TW);
Chun-I Chen, New Taipei (TW);
Hsien-Wei Chen, New Taipei (TW);
Yi-Ta Huang, New Taipei (TW)
- (73) Assignee: **Acer Incorporated**, New Taipei (TW)
- (**) Term: **14 Years**
- (21) Appl. No.: **29/439,045**
- (22) Filed: **Dec. 6, 2012**

- (30) **Foreign Application Priority Data**
- Nov. 19, 2012 (TW) 101306845
- (51) **LOC (9) Cl.** **13-02**
- (52) **U.S. Cl.**
- USPC **D13/103**
- (58) **Field of Classification Search**
- USPC D13/102–106, 110, 118–121, 184,
D13/199; 429/96–100, 163, 176
- See application file for complete search history.

- (56) **References Cited**
- U.S. PATENT DOCUMENTS
- D439,218 S * 3/2001 Yu D13/103
- D537,774 S * 3/2007 Hussaini et al. D13/103

- D546,758 S * 7/2007 Tse D13/103
- D554,580 S * 11/2007 Ogasawara D13/103
- D601,955 S * 10/2009 Ekmekdje D13/108
- D654,853 S * 2/2012 Bacon et al. D13/103
- D655,673 S * 3/2012 Masui D13/103
- D672,713 S * 12/2012 Masui D13/103
- D678,184 S * 3/2013 Banko et al. D13/103

* cited by examiner

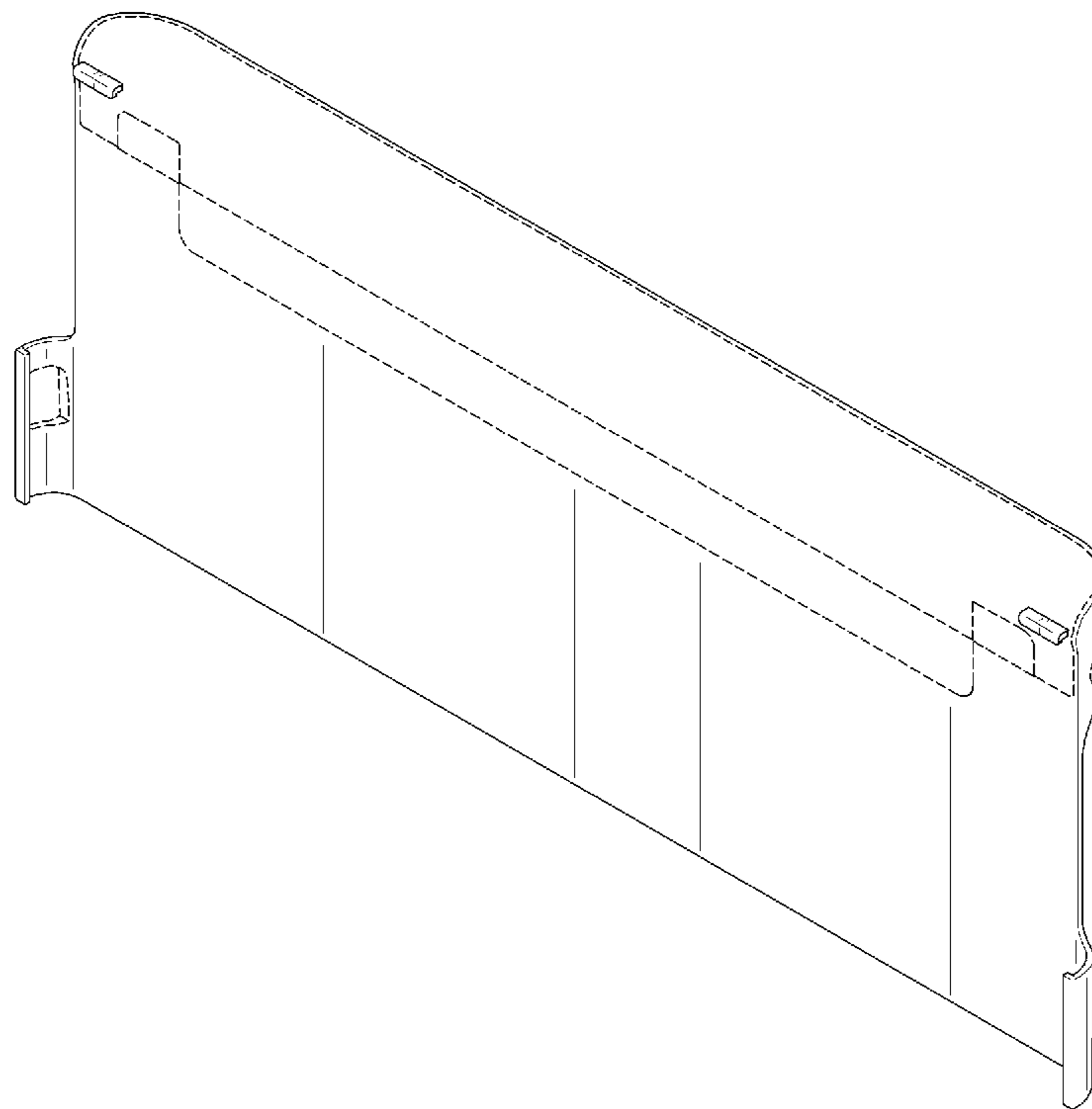
Primary Examiner — Rosemary K Tarca
(74) *Attorney, Agent, or Firm* — Jianq Chyun IP Office

(57) **CLAIM**
The ornamental design for an external battery, as shown and described.

DESCRIPTION

FIG. 1 is a perspective view of an external battery showing my new design;
FIG. 2 is a front view thereof;
FIG. 3 is a rear view thereof;
FIG. 4 is a left side view thereof;
FIG. 5 is a right side view thereof;
FIG. 6 is a top view thereof;
FIG. 7 is a bottom view thereof;
FIG. 8 is a reference perspective view thereof being assembled with an electronic apparatus; and,
FIG. 9 is a reference perspective view thereof showing the external battery installed on the electronic apparatus for use. The broken line portions of the external battery in all views represent unclaimed portions of the claimed design and form no part thereof

1 Claim, 7 Drawing Sheets



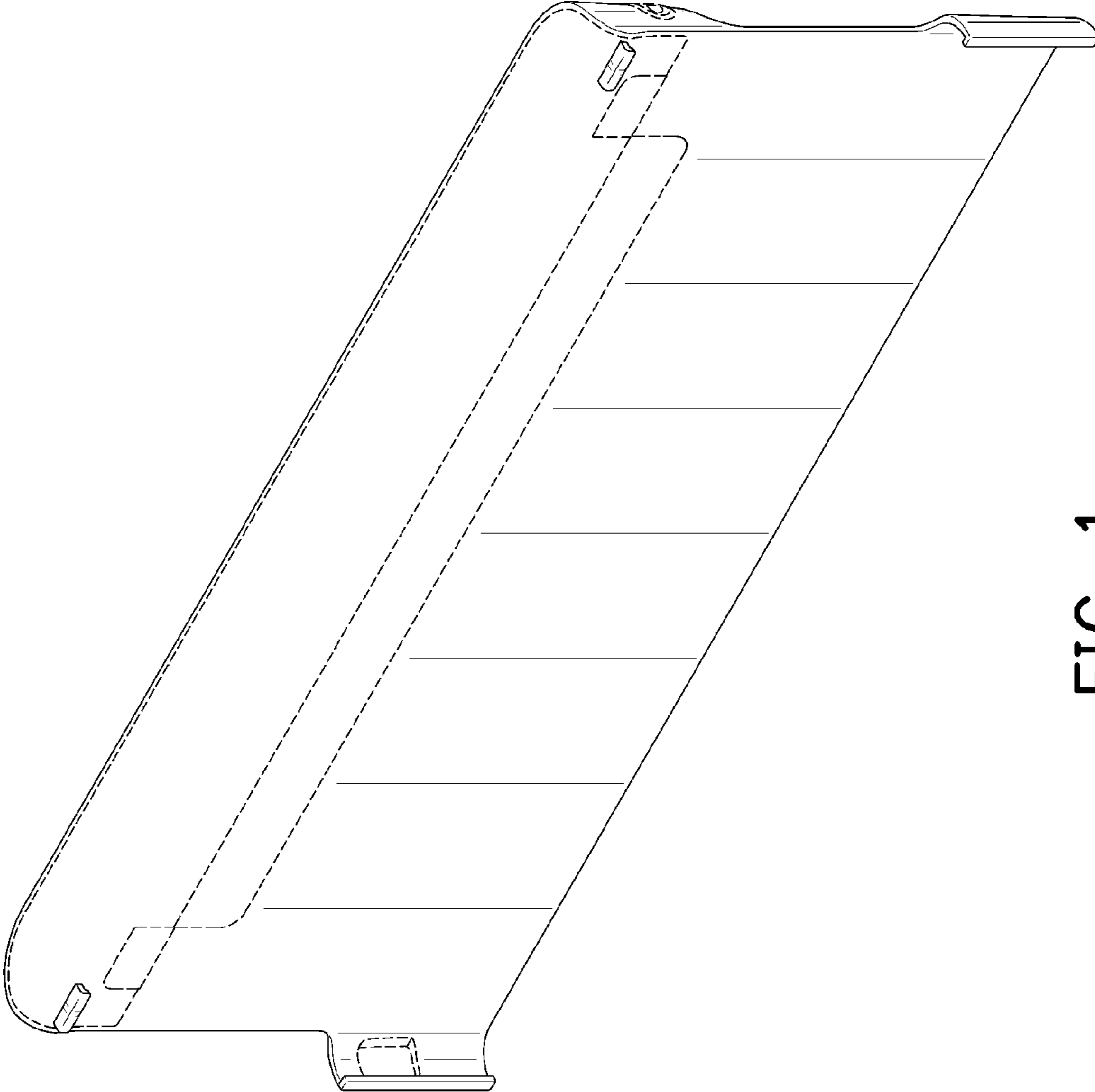


FIG. 1

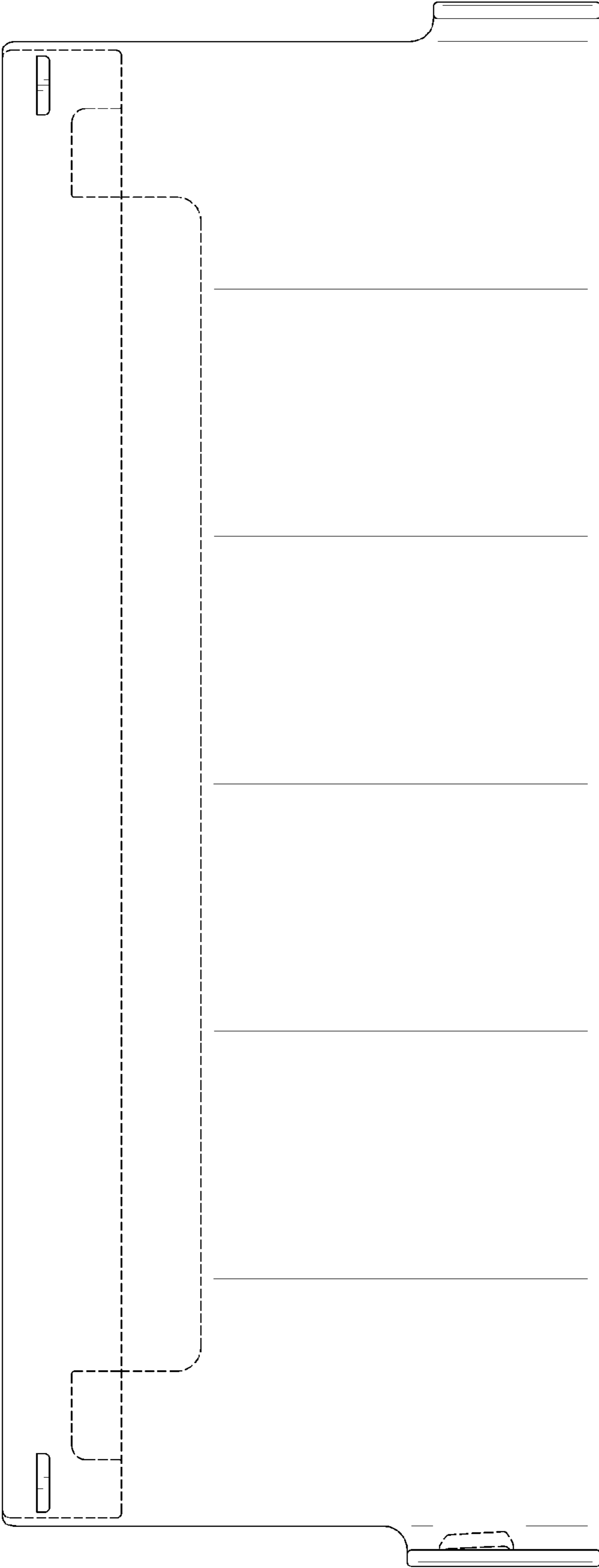


FIG. 2

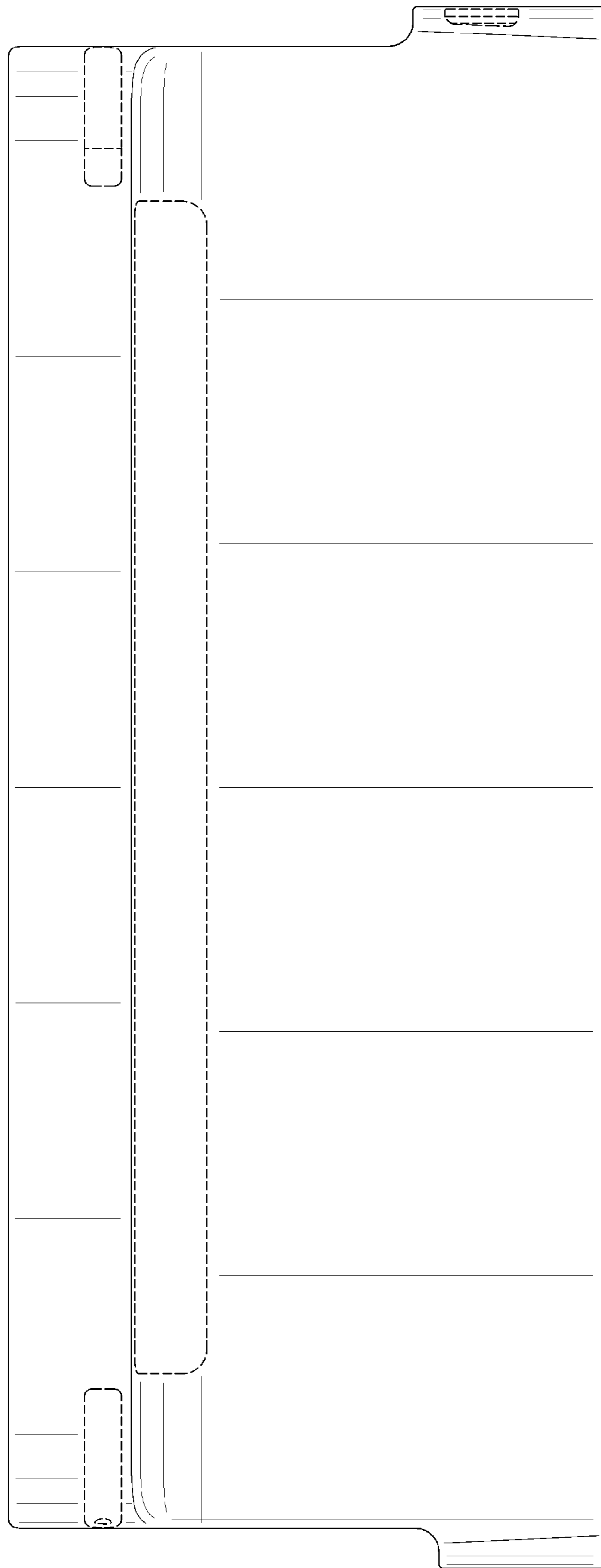


FIG. 3



FIG. 5

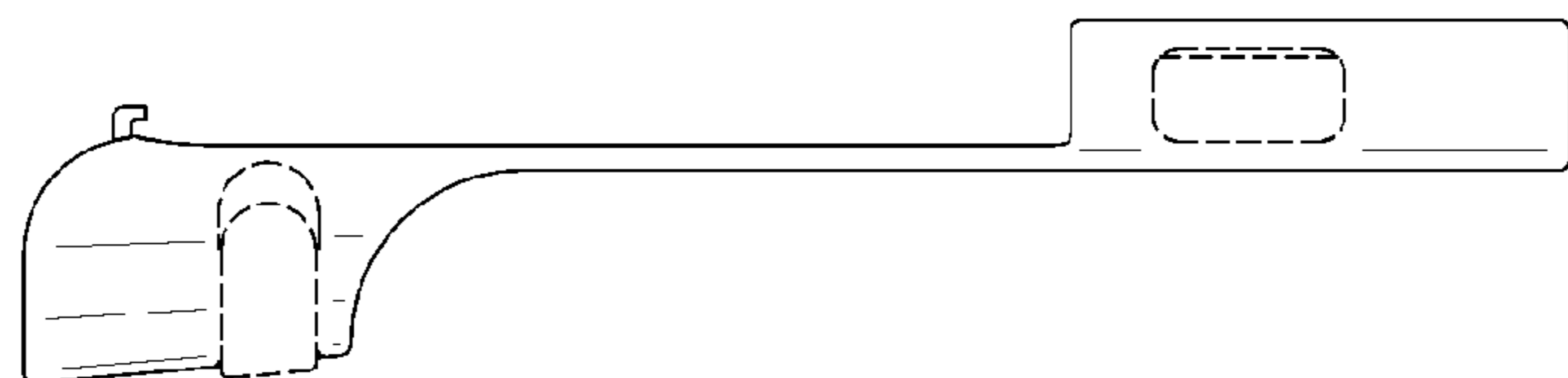


FIG. 4

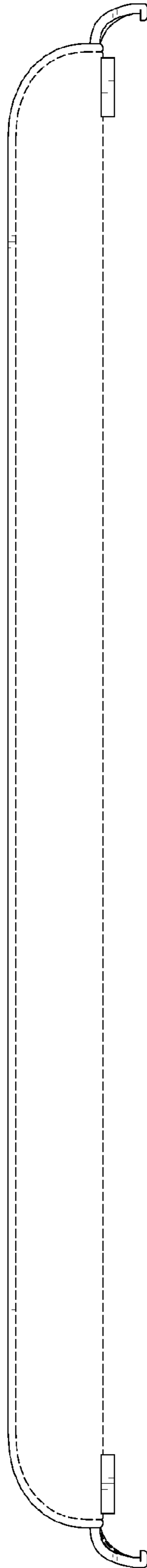


FIG. 6

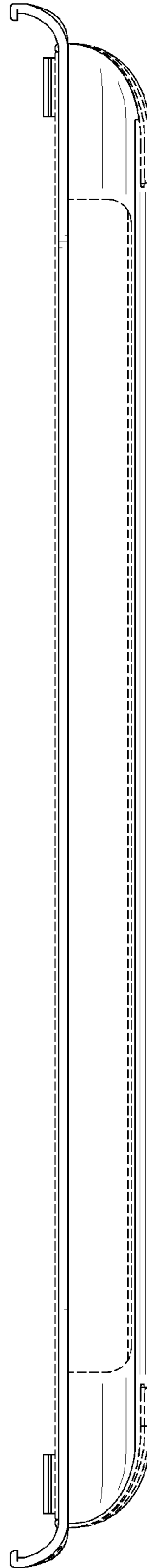


FIG. 7

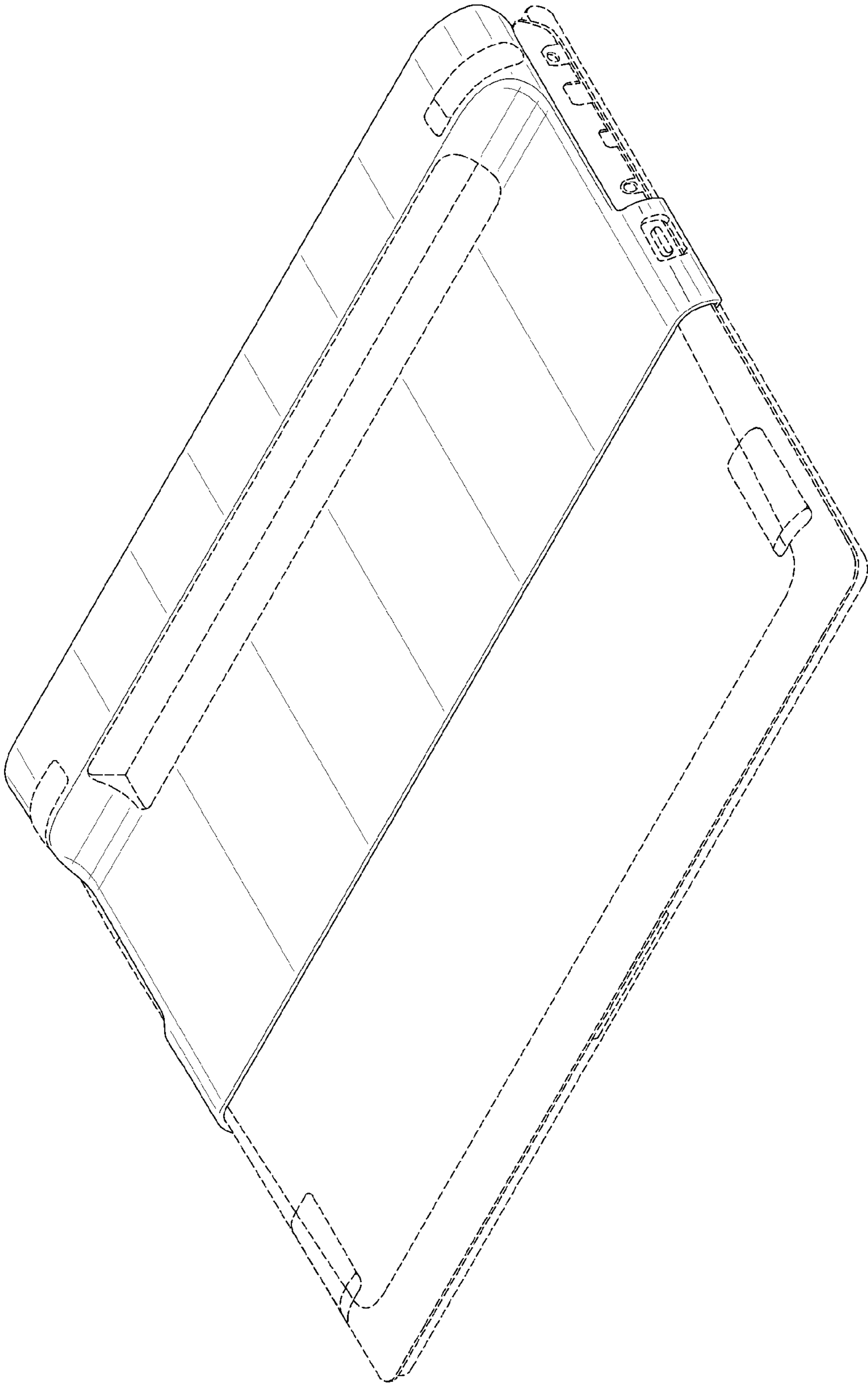


FIG. 8

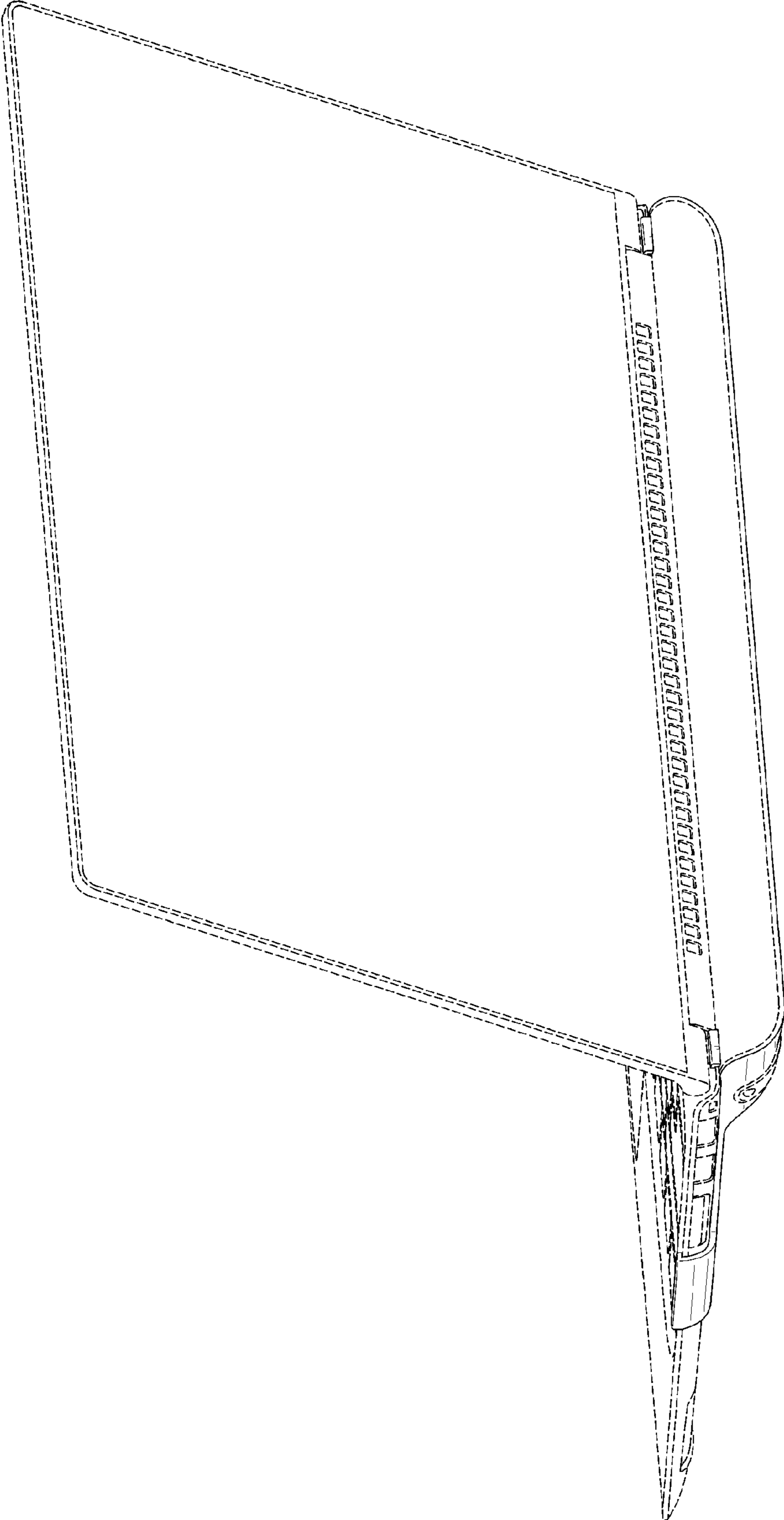


FIG. 9