



US00D686151S

(12) **United States Design Patent**
Lee et al.

(10) **Patent No.:** **US D686,151 S**
(45) **Date of Patent:** **** Jul. 16, 2013**

(54) **BATTERY**

(75) Inventors: **Jeong-Seop Lee**, Yongin-si (KR);
Myung-Sook Kwon, Yongin-si (KR);
Sang-Jin Park, Yongin-si (KR); **Nam Sunwoo**, Seoul (KR)

(73) Assignee: **Samsung SDI Co., Ltd.**, Yongin-si (KR)

(**) Term: **14 Years**

(21) Appl. No.: **29/428,744**

(22) Filed: **Aug. 2, 2012**

(30) **Foreign Application Priority Data**

Jun. 7, 2012 (KR) 30-2012-0027969

(51) **LOC (9) Cl.** **13-02**

(52) **U.S. Cl.**
USPC **D13/103**

(58) **Field of Classification Search**
USPC D13/102–108, 110, 118–121, 184,
D13/199; 429/96–100, 163, 176
See application file for complete search history.

(56) **References Cited**

U.S. PATENT DOCUMENTS

5,563,005 A * 10/1996 Ohtani et al. 429/96
D483,725 S * 12/2003 Thompson et al. D13/184
D601,490 S * 10/2009 Zhu et al. D13/102
D604,254 S * 11/2009 Lanfear et al. D13/162
D611,900 S 3/2010 Yang

D615,045 S * 5/2010 Lanfear et al. D13/162
D623,133 S 9/2010 Nomi et al.
D665,732 S * 8/2012 Saito et al. D13/103

FOREIGN PATENT DOCUMENTS

EM 001122071-0001 4/2009
KR 30-0387648 S 7/2005
KR 30-0594974 S 4/2011

OTHER PUBLICATIONS

Website: “Seagate® Expansion™ External Drive”, Seagate®, (2010), http://www.seagate.com/docs/pdf/datasheet/disc/ds_ext_destop.pdf, 2 pages.

English machine translation for OHMI Design Registration 001122071-0001 listed above, (3 pages).

* cited by examiner

Primary Examiner — Rosemary K Tarcza

(74) *Attorney, Agent, or Firm* — Christie, Parker & Hale, LLP

(57) **CLAIM**

The ornamental design for a battery, as shown and described.

DESCRIPTION

FIG. 1 is a perspective view of a battery showing our new design;

FIG. 2 is a front elevational view of the battery;

FIG. 3 is a rear elevational view of the battery;

FIG. 4 is a left side view of the battery;

FIG. 5 is a right side view of the battery;

FIG. 6 is a top view of the battery; and,

FIG. 7 is a bottom view of the battery.

1 Claim, 7 Drawing Sheets

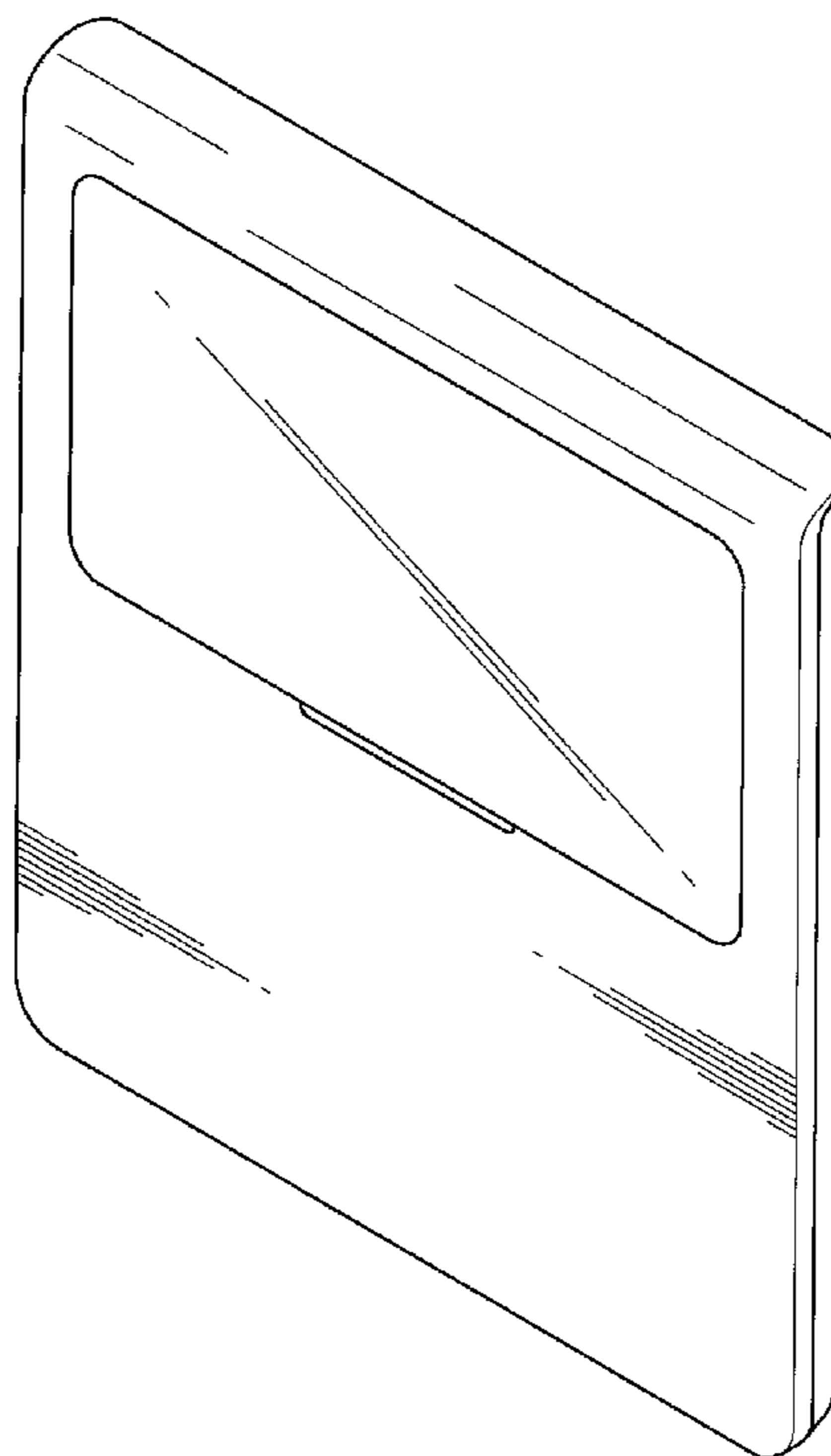


FIG. 1

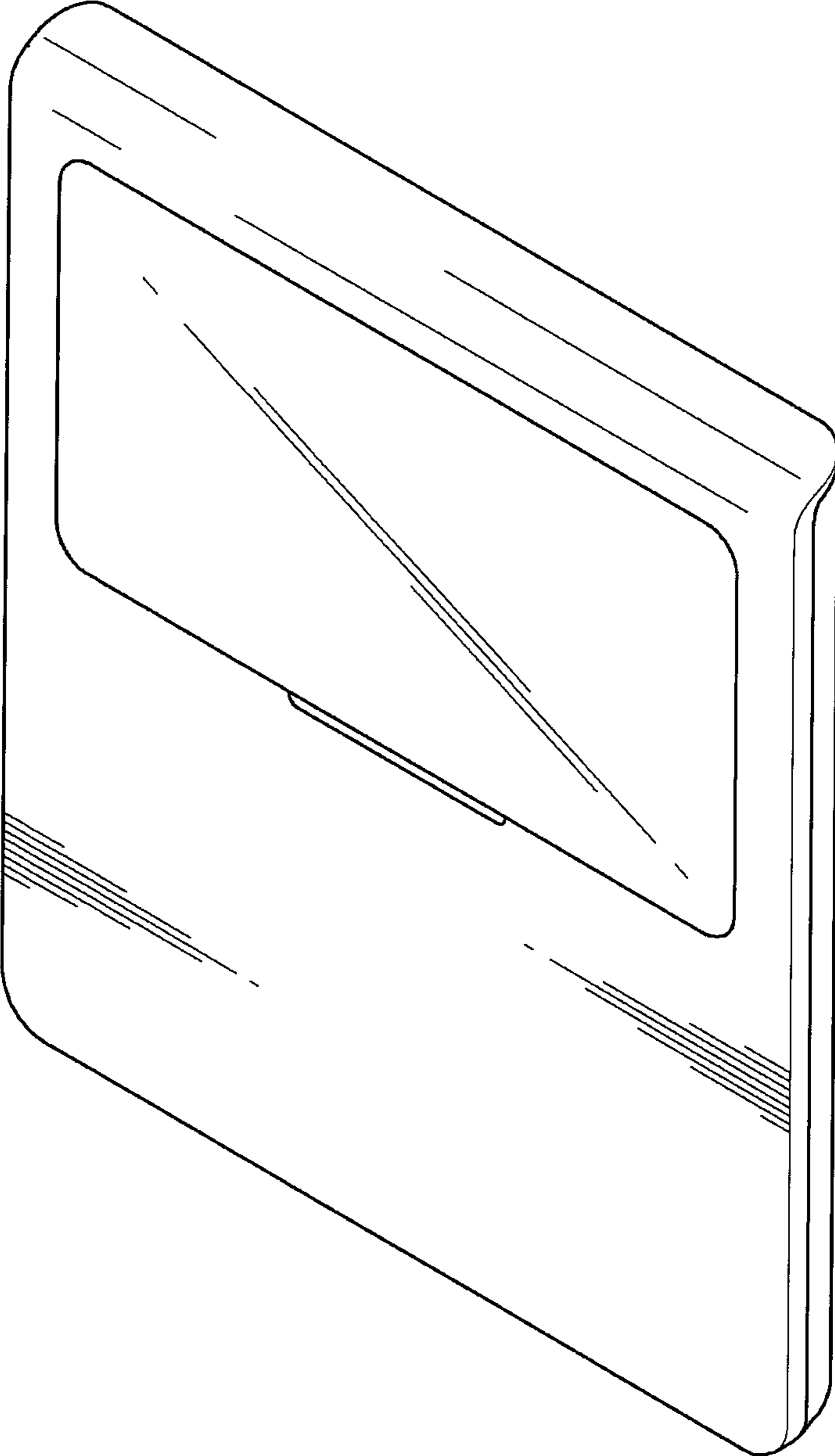


FIG. 2

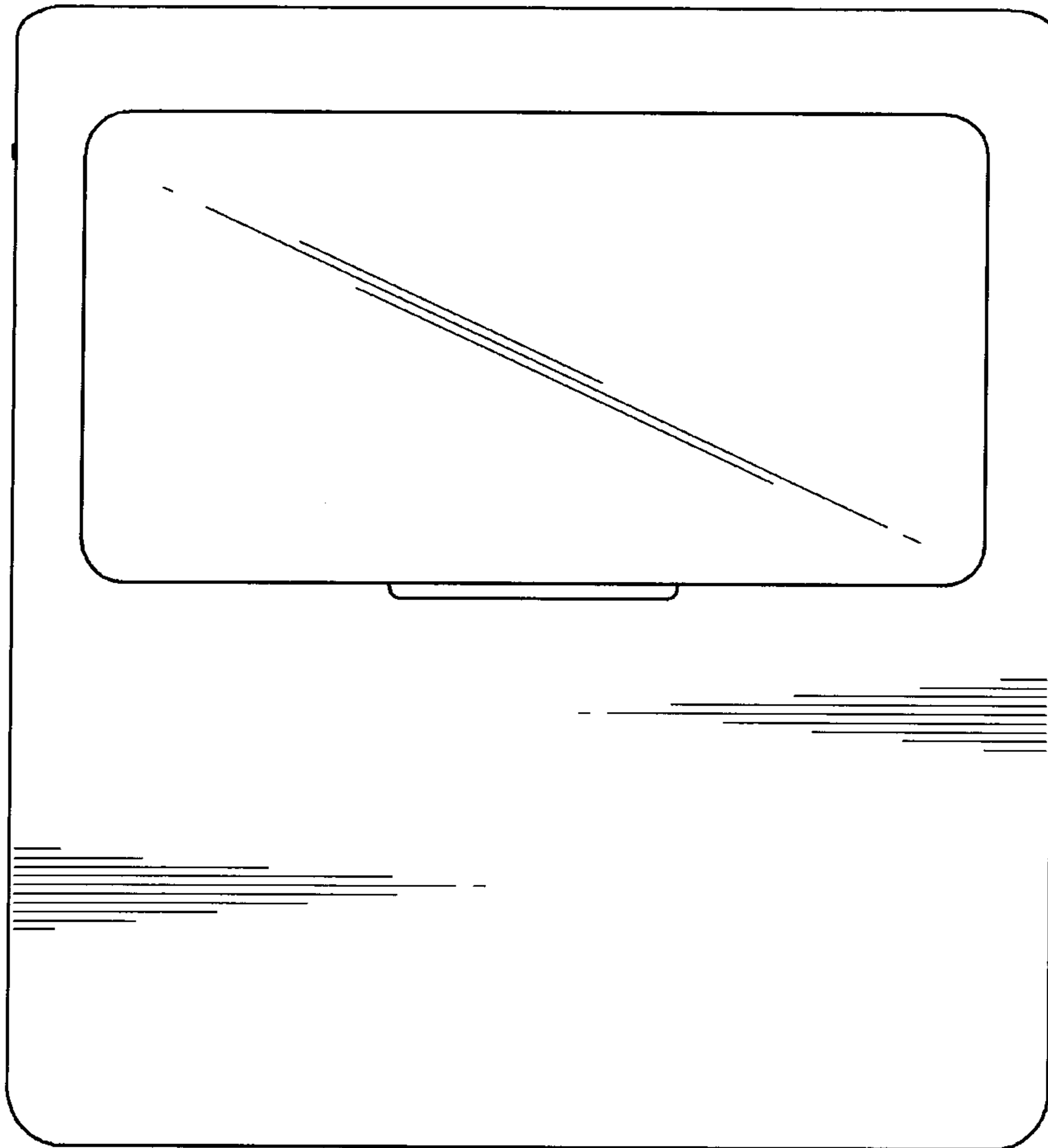


FIG. 3

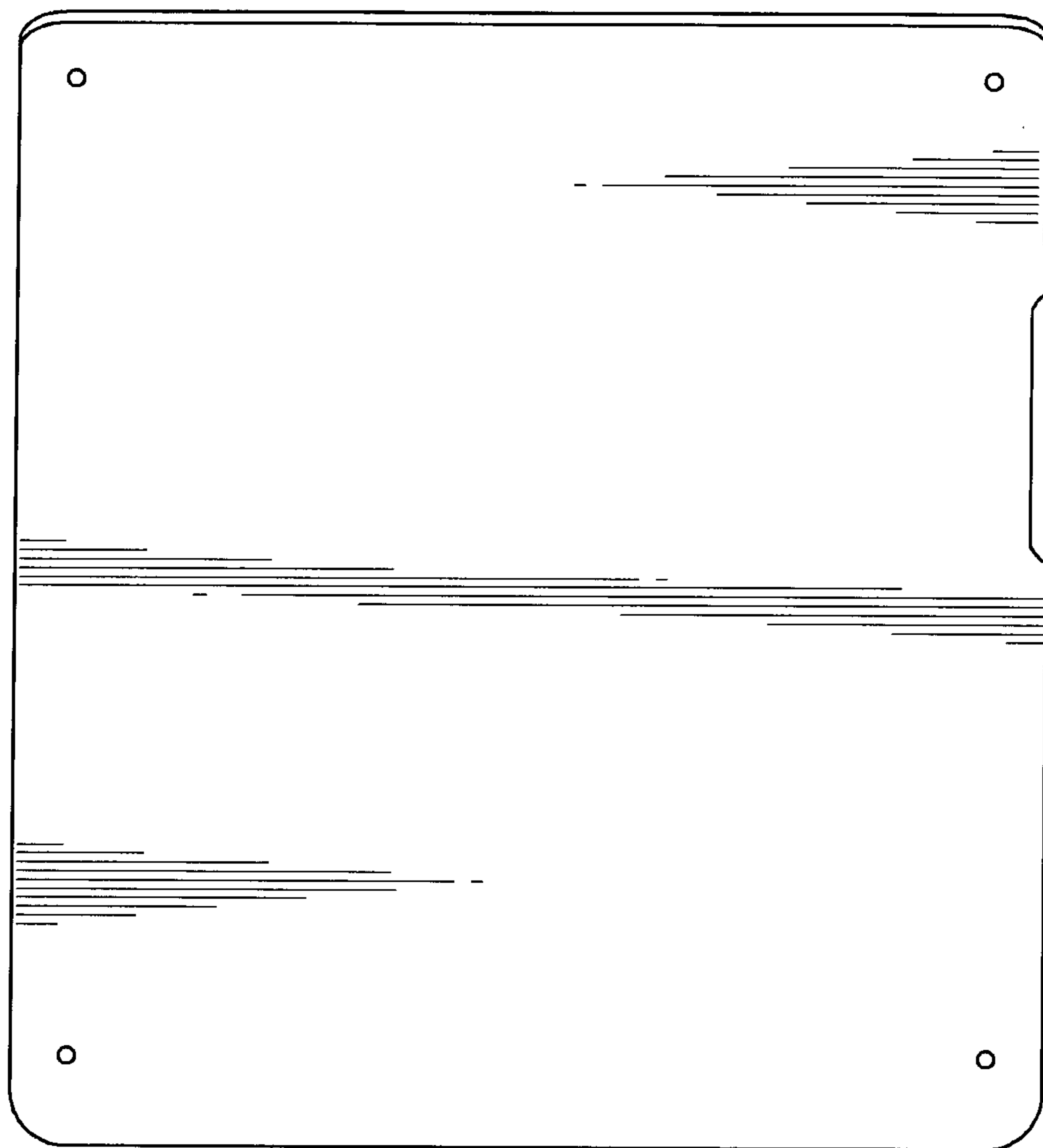


FIG. 4

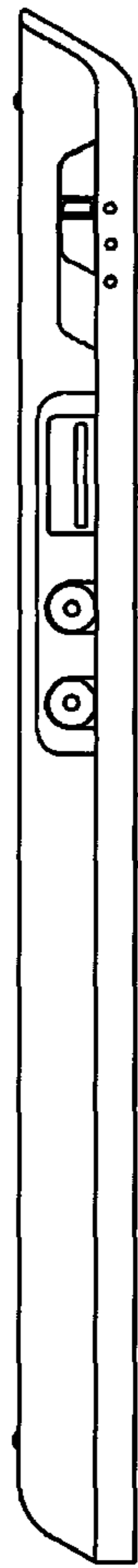


FIG. 5



FIG. 6



FIG. 7

