



US00D686147S

(12) **United States Design Patent**  
**Morisawa**

(10) **Patent No.:** **US D686,147 S**  
(45) **Date of Patent:** **\*\* Jul. 16, 2013**

- (54) **BATTERY**
- (75) Inventor: **Yujin Morisawa**, Tokyo (JP)
- (73) Assignee: **Sony Corporation**, Tokyo (JP)
- (\*\*) Term: **14 Years**
- (21) Appl. No.: **29/371,507**
- (22) Filed: **Mar. 29, 2011**

- D531,574 S 11/2006 Yamada
- D531,575 S 11/2006 Yamada
- D538,226 S 3/2007 Lyman et al.
- D539,730 S 4/2007 Kawase
- D554,579 S 11/2007 Ogasawara
- D554,580 S 11/2007 Ogasawara
- D558,140 S 12/2007 Kumano
- D571,288 S 6/2008 Tanaka

(Continued)

*Primary Examiner* — Rosemary K Tarcza  
(74) *Attorney, Agent, or Firm* — Rader, Fishman & Grauer PLLC

**Related U.S. Application Data**

- (63) Continuation of application No. 29/347,502, filed on Feb. 12, 2010, now Pat. No. Des. 635,506.

**Foreign Application Priority Data**

- (30) Aug. 10, 2009 (CN) ..... 2009 3 0190316
- Aug. 21, 2009 (JP) ..... D2009-019190
- Aug. 21, 2009 (JP) ..... D2009-019191

- (51) **LOC (9) Cl.** ..... **13-02**
- (52) **U.S. Cl.**  
USPC ..... **D13/103**

- (58) **Field of Classification Search**  
USPC ..... D13/102-106, 110, 118-121, 184,  
D13/199; 429/96-100, 163, 176  
See application file for complete search history.

(56) **References Cited**

**U.S. PATENT DOCUMENTS**

- D281,724 S 12/1985 Michiels
- D281,940 S 12/1985 Steventon et al.
- D303,524 S 9/1989 Siegner et al.
- D304,172 S 10/1989 Sogabe et al.
- D363,055 S 10/1995 Kobayashi et al.
- D409,974 S 5/1999 Sasago
- D418,807 S 1/2000 Suzuki et al.
- D424,013 S 5/2000 Curtis
- D485,530 S \* 1/2004 Ogasawara ..... D13/103
- D491,137 S 6/2004 Suzuki

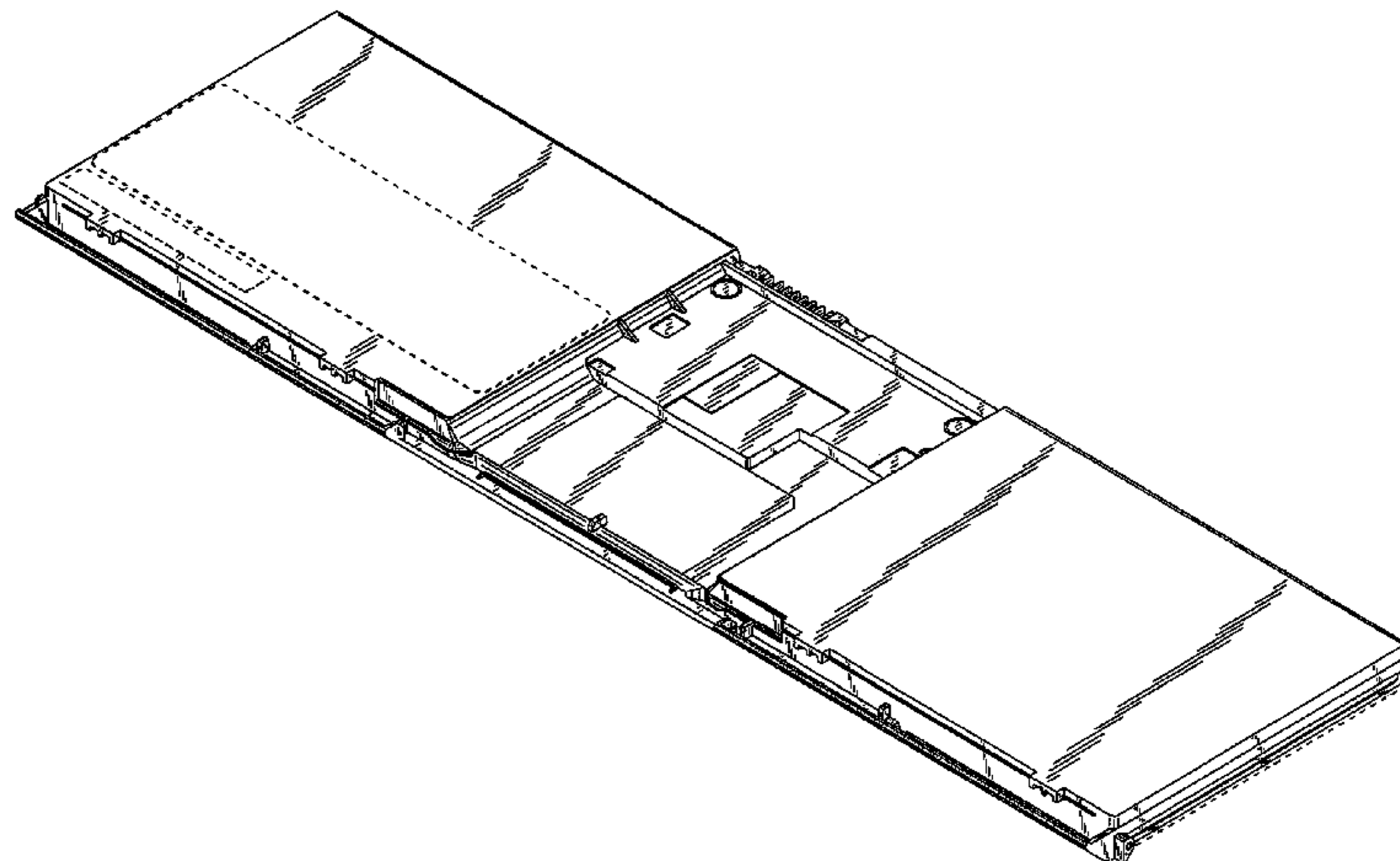
(57) **CLAIM**  
The ornamental design for a battery, as shown and described.

**DESCRIPTION**

FIG. 1 is a perspective view of a battery showing my new design;  
 FIG. 2 is a front elevational view thereof;  
 FIG. 3 is a rear elevational view thereof;  
 FIG. 4 is a left side elevational view thereof;  
 FIG. 5 is a right side elevational view thereof; and  
 FIG. 6 is a top plan view thereof.  
 FIG. 7 is a bottom plan view thereof.  
 Portions in broken lines are for illustrative purpose only and form no part of the claimed design. The dot-dash broken lines define the boundaries of, but are not included in, the claimed design.

FIG. 8 is a perspective view of another embodiment of a battery showing my new design;  
 FIG. 9 is a front elevational view thereof;  
 FIG. 10 is a rear elevational view thereof;  
 FIG. 11 is a left side elevational view thereof;  
 FIG. 12 is a right side elevational view thereof;  
 FIG. 13 is a top plan view thereof; and,  
 FIG. 14 is a bottom plan view thereof.  
 The embodiment of FIG. 1 is a subcombination of the entirely shaded design of the embodiment of FIG. 8.

**1 Claim, 10 Drawing Sheets**



# US D686,147 S

Page 2

---

## U.S. PATENT DOCUMENTS

D582,844 S 12/2008 Tanaka  
D614,124 S 4/2010 Mistyurik  
7,763,380 B2 7/2010 Morita et al.

D635,506 S \* 4/2011 Morisawa ..... D13/103  
D669,850 S \* 10/2012 Morisawa ..... D13/103  
D670,240 S \* 11/2012 Morisawa ..... D13/103

\* cited by examiner

FIG.1

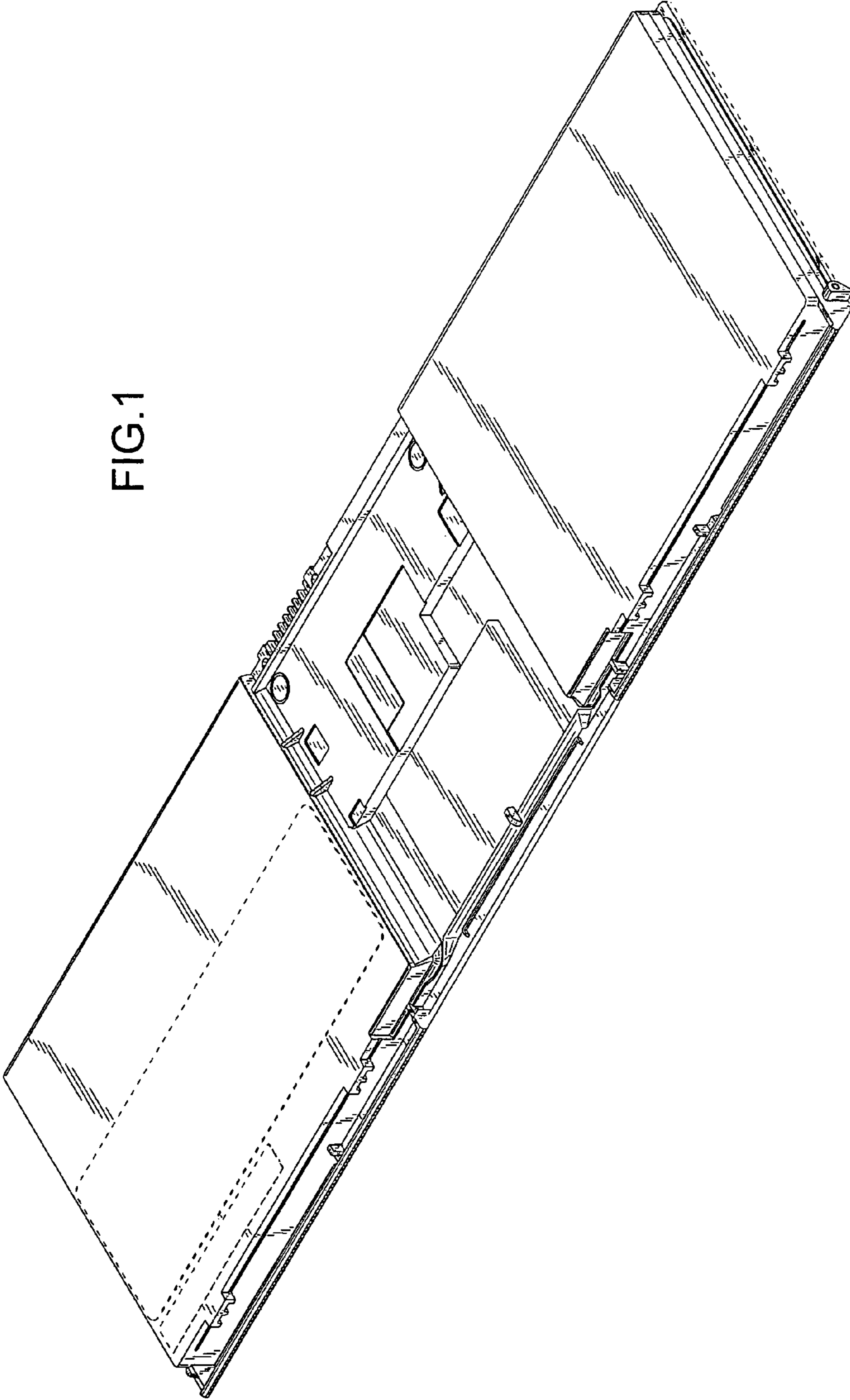


FIG.2



FIG.3

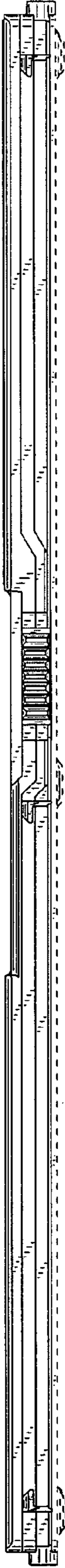


FIG.4

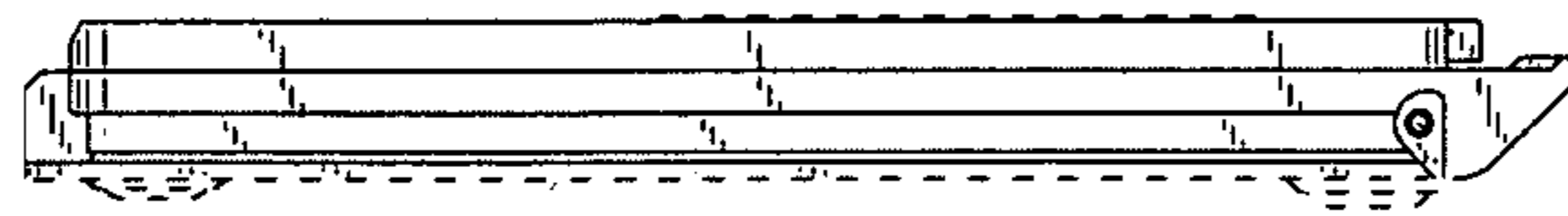


FIG.5

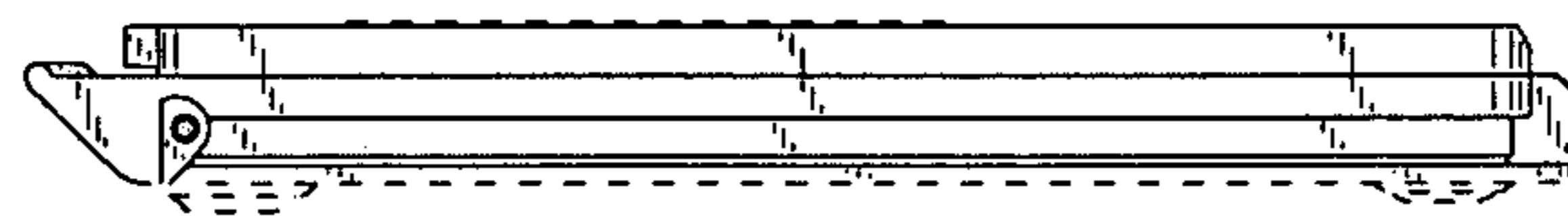


FIG.6

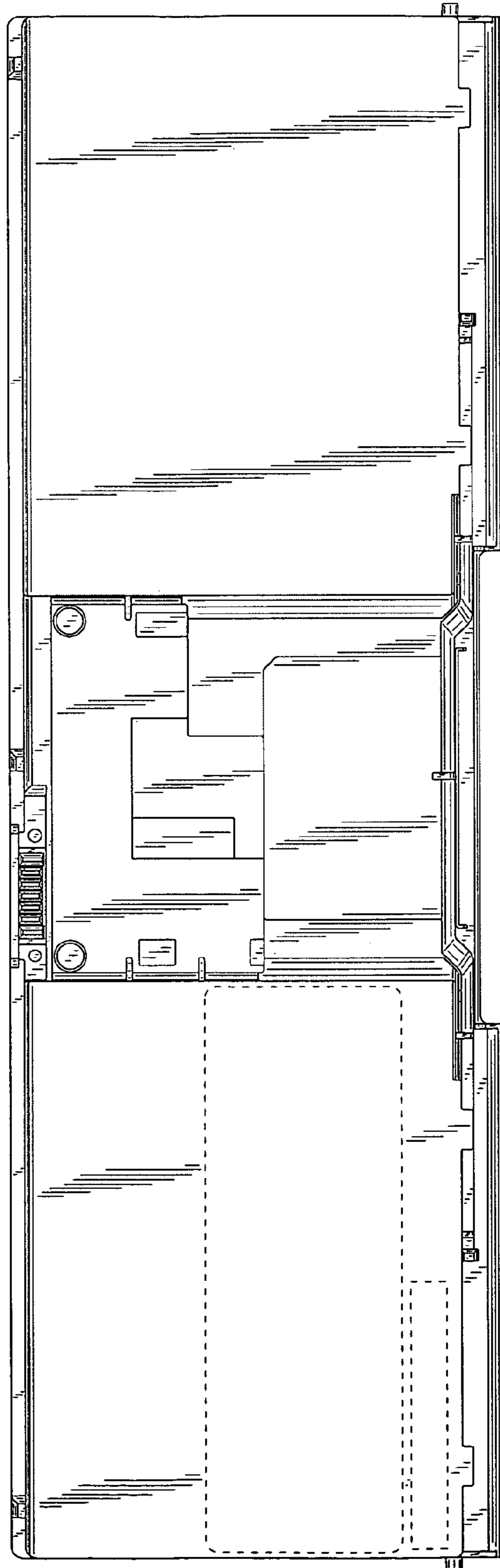


FIG. 7

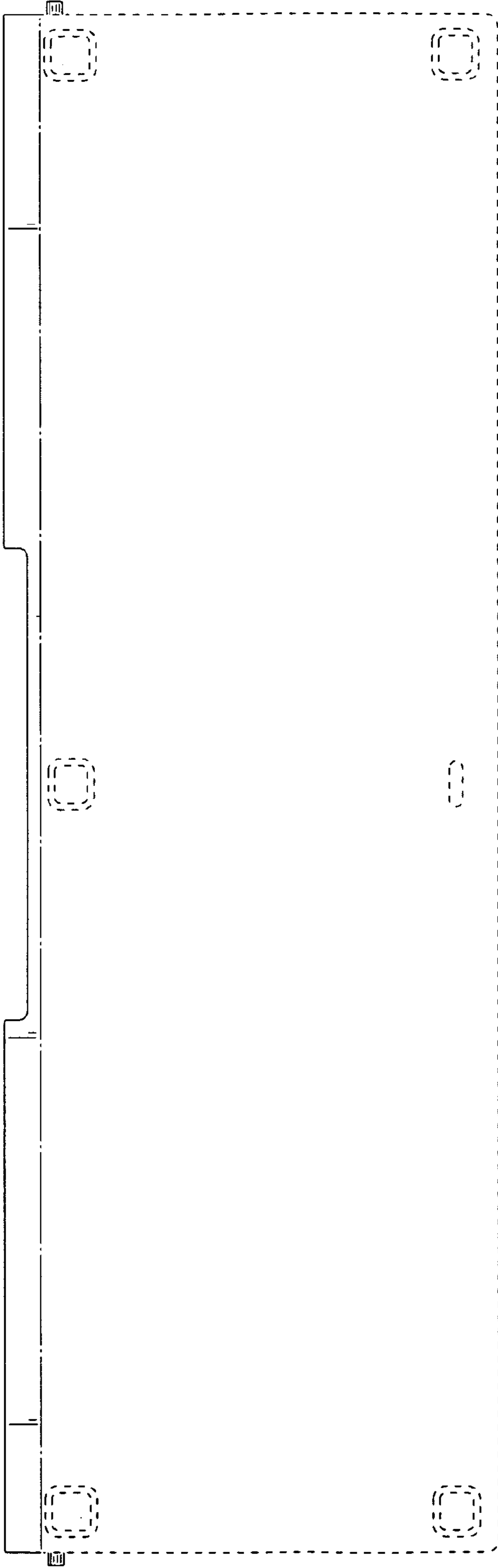


FIG.8

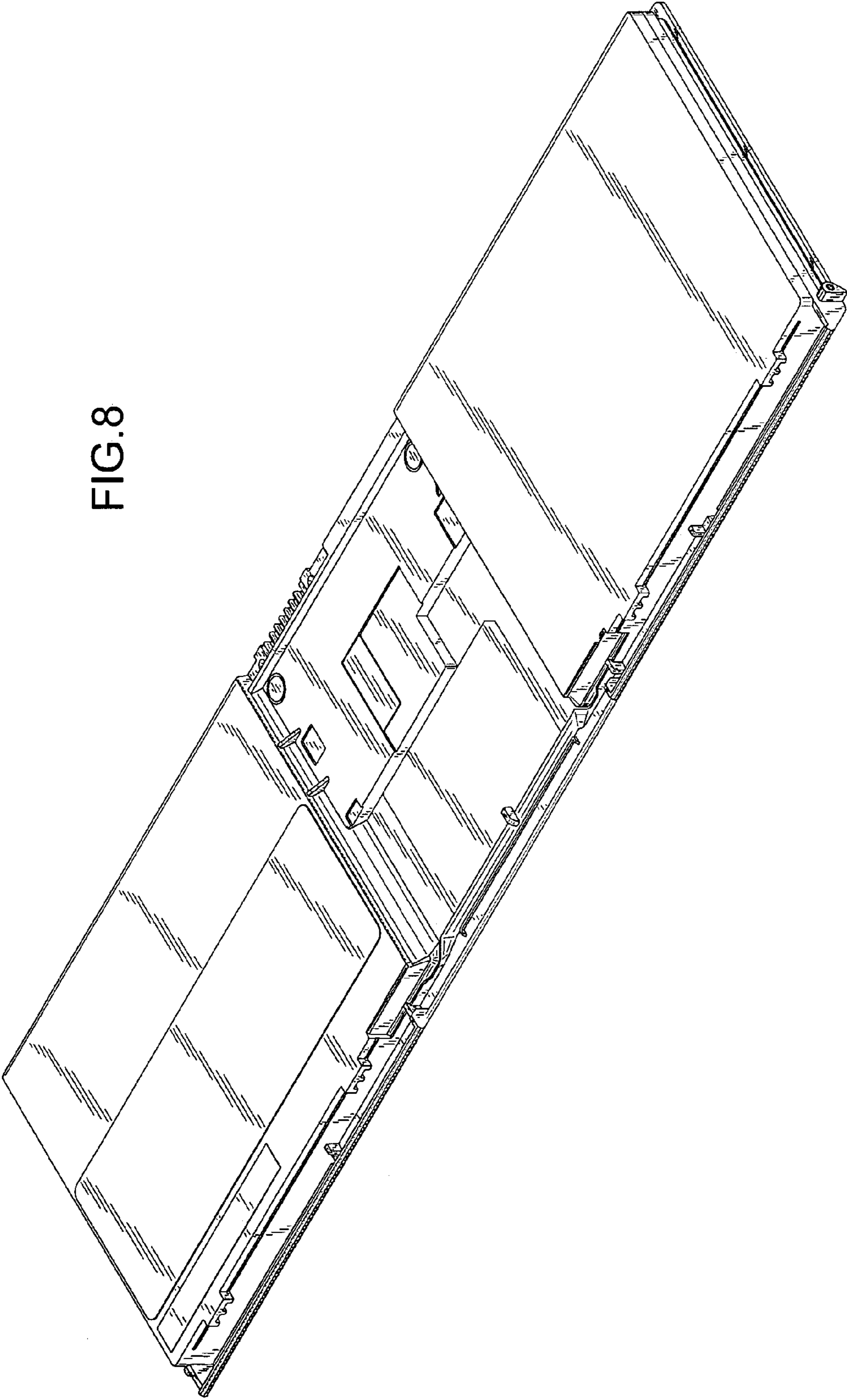




FIG.9

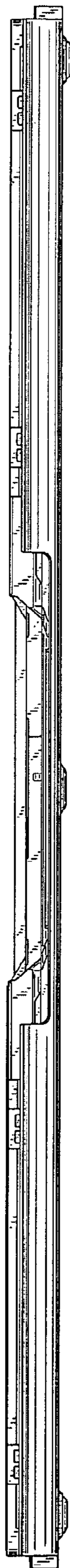


FIG.10

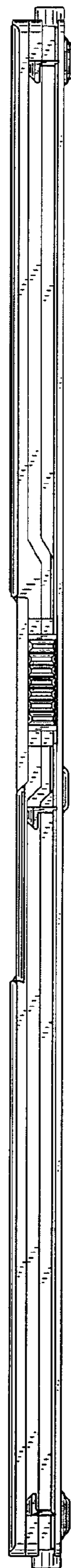


FIG.11

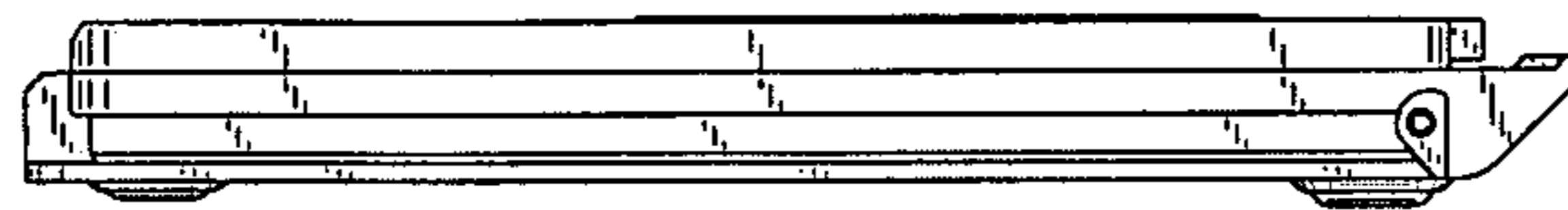


FIG.12

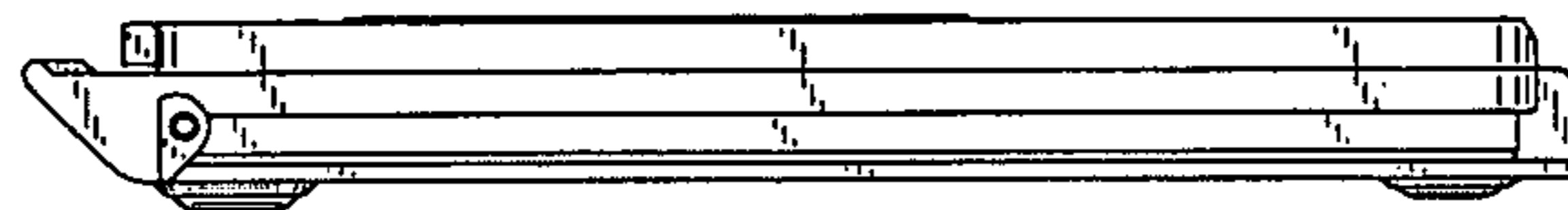


FIG. 13

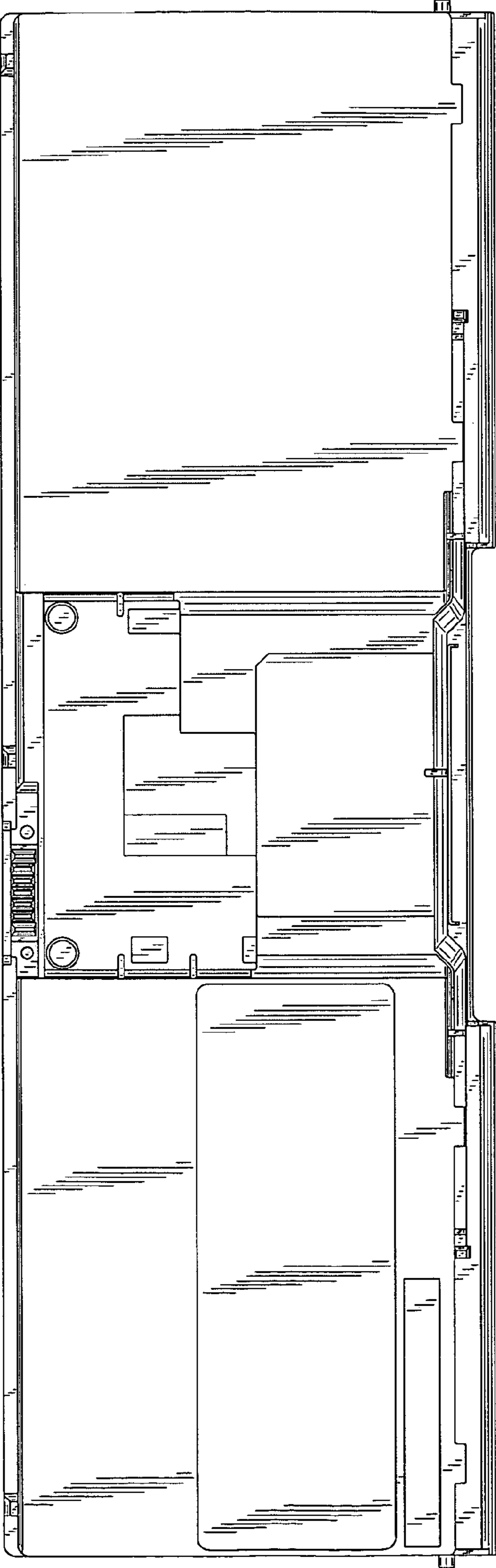


FIG.14

