



US00D686136S

(12) **United States Design Patent**  
**Galley**

(10) **Patent No.:** **US D686,136 S**

(45) **Date of Patent:** **\*\* Jul. 16, 2013**

- (54) **UTILITY TASK VEHICLE ROOF**
- (75) Inventor: **Thomas Center Galley**, Sedalia, CO  
(US)
- (73) Assignee: **Intrinsic Minds, LLC**, Sedalia, CO  
(US)
- (\*\*) Term: **14 Years**
- (21) Appl. No.: **29/425,222**
- (22) Filed: **Jun. 20, 2012**
- (51) **LOC (9) Cl.** ..... **12-16**
- (52) **U.S. Cl.**  
USPC ..... **D12/401**
- (58) **Field of Classification Search**  
USPC D12/401-405; 160/370.21-370.23; 280/770;  
150/158, 165-167; 296/98, 100.01-100.02,  
296/100.11-100.18, 136.01, 136.05-136.07,  
296/95.1, 77.1; 135/88.01, 95  
See application file for complete search history.

D453,727 S *	2/2002	Shugar et al.	.....	D12/401
D497,872 S *	11/2004	Bonner et al.	.....	D12/401
D514,056 S *	1/2006	Nadeau	.....	D12/401
D549,638 S *	8/2007	Hughes et al.	.....	D12/401
D550,145 S *	9/2007	Fisker et al.	.....	D12/401
D554,574 S *	11/2007	Hanson et al.	.....	D12/401
D639,229 S *	6/2011	van Voorst tot Voorst	...	D12/401

\* cited by examiner

*Primary Examiner* — Katrina A Betton  
(74) *Attorney, Agent, or Firm* — HolzerIPLaw, PC

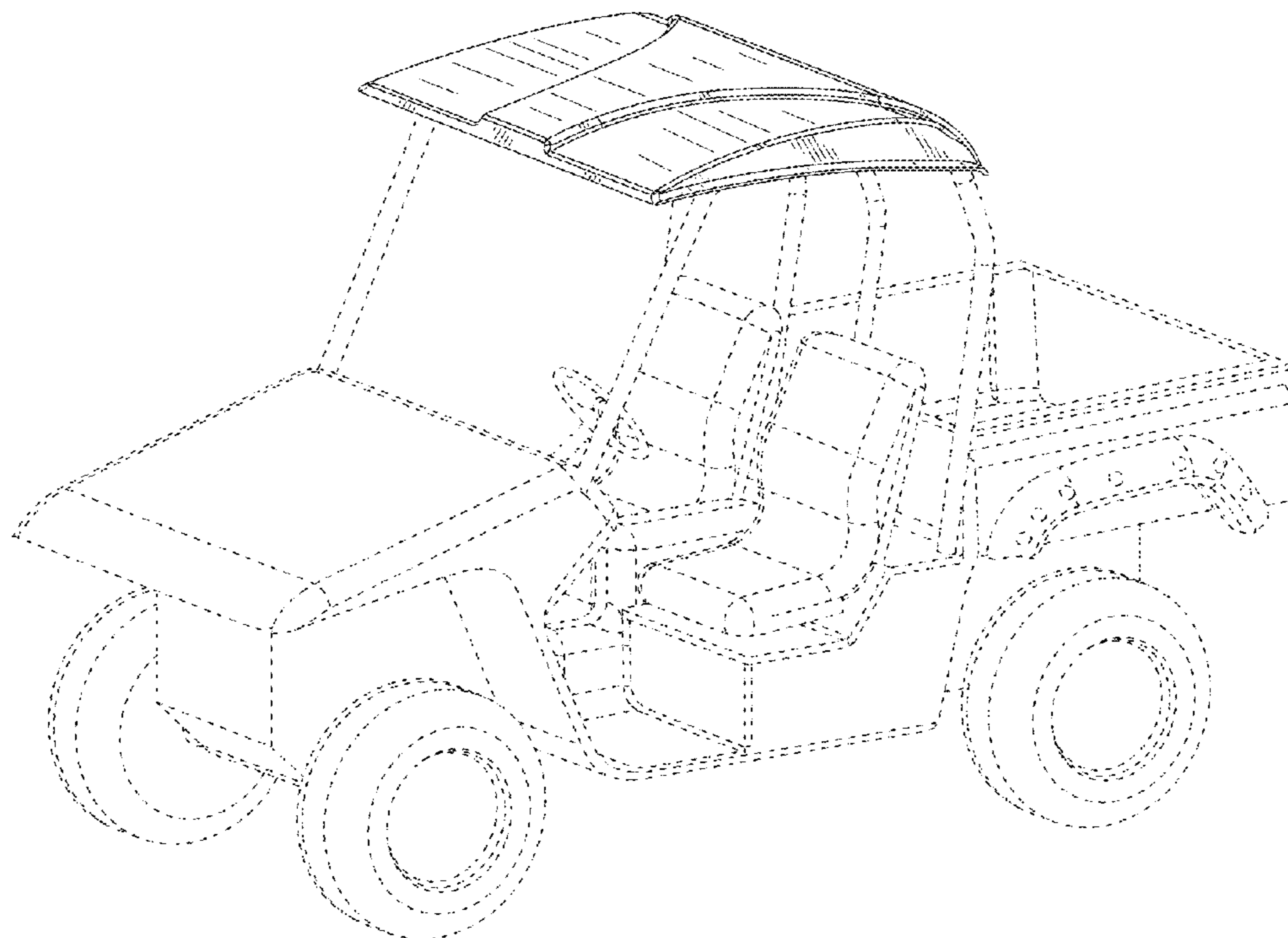
(57) **CLAIM**  
I claim the ornamental design for a utility task vehicle roof, as shown and described.

**DESCRIPTION**

FIG. 1 is a first perspective view of a utility task vehicle roof according to my new design.  
 FIG. 2 is a second perspective view thereof.  
 FIG. 3 is a right side elevation view thereof.  
 FIG. 4 is a top plan view thereof.  
 FIG. 5 is a bottom plan view thereof.  
 FIG. 6 is a front elevation view thereof; and,  
 FIG. 7 is a rear elevation view thereof.  
 The left side elevation view thereof is a mirror image of the right side elevation view depicted in FIG. 3.  
 In the drawings, the broken lines in FIGS. 1 and 2 depict a vehicle and form no part of the claimed design.

**1 Claim, 7 Drawing Sheets**

- (56) **References Cited**  
U.S. PATENT DOCUMENTS  
D319,203 S 8/1991 Tisten et al.  
D330,350 S \* 10/1992 Maypole et al. .... D12/16  
D428,382 S \* 7/2000 Hall ..... D12/401  
D431,018 S \* 9/2000 Maypole ..... D12/401  
D444,762 S \* 7/2001 Werle et al. .... D12/401



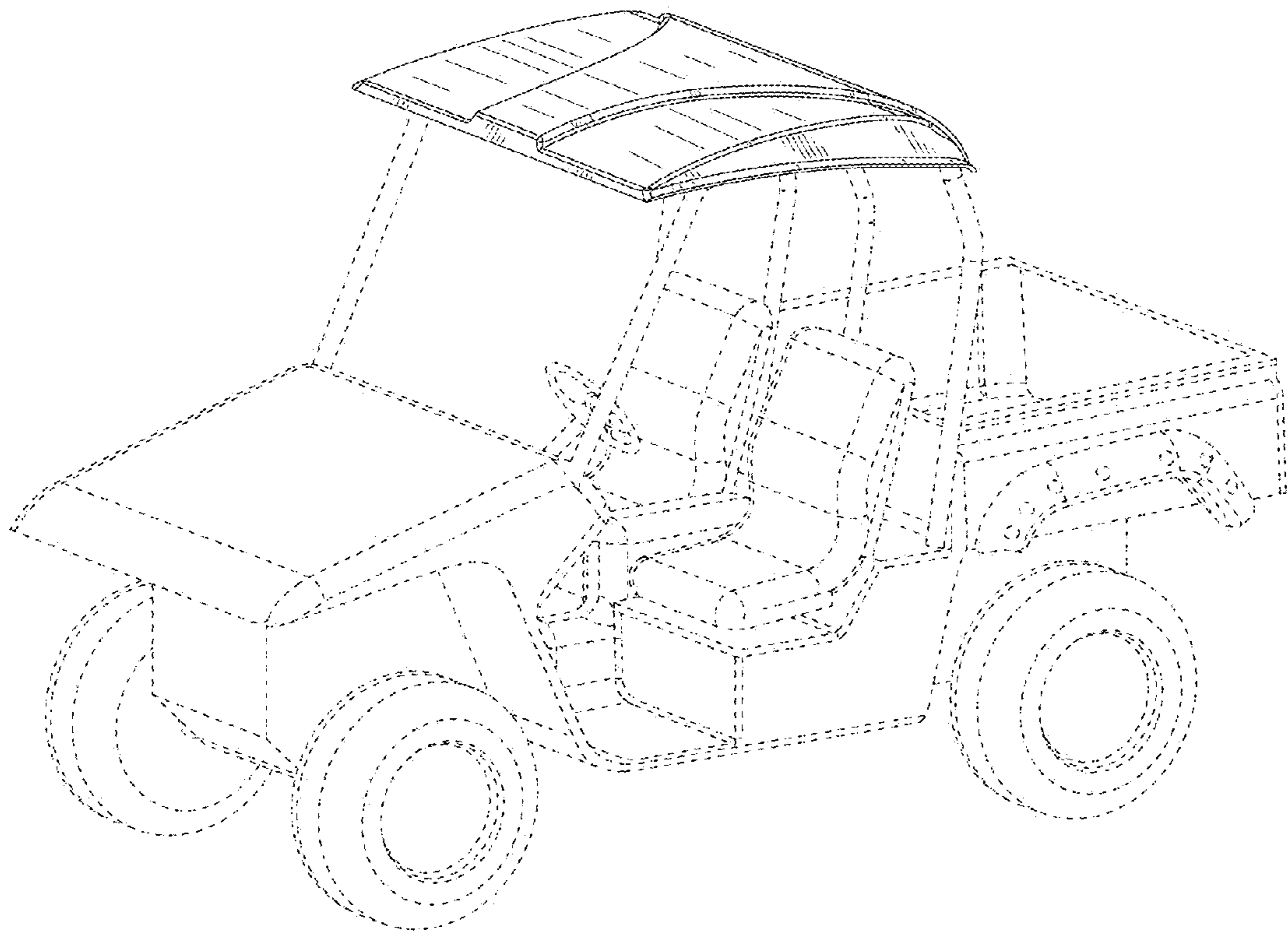


FIG.1

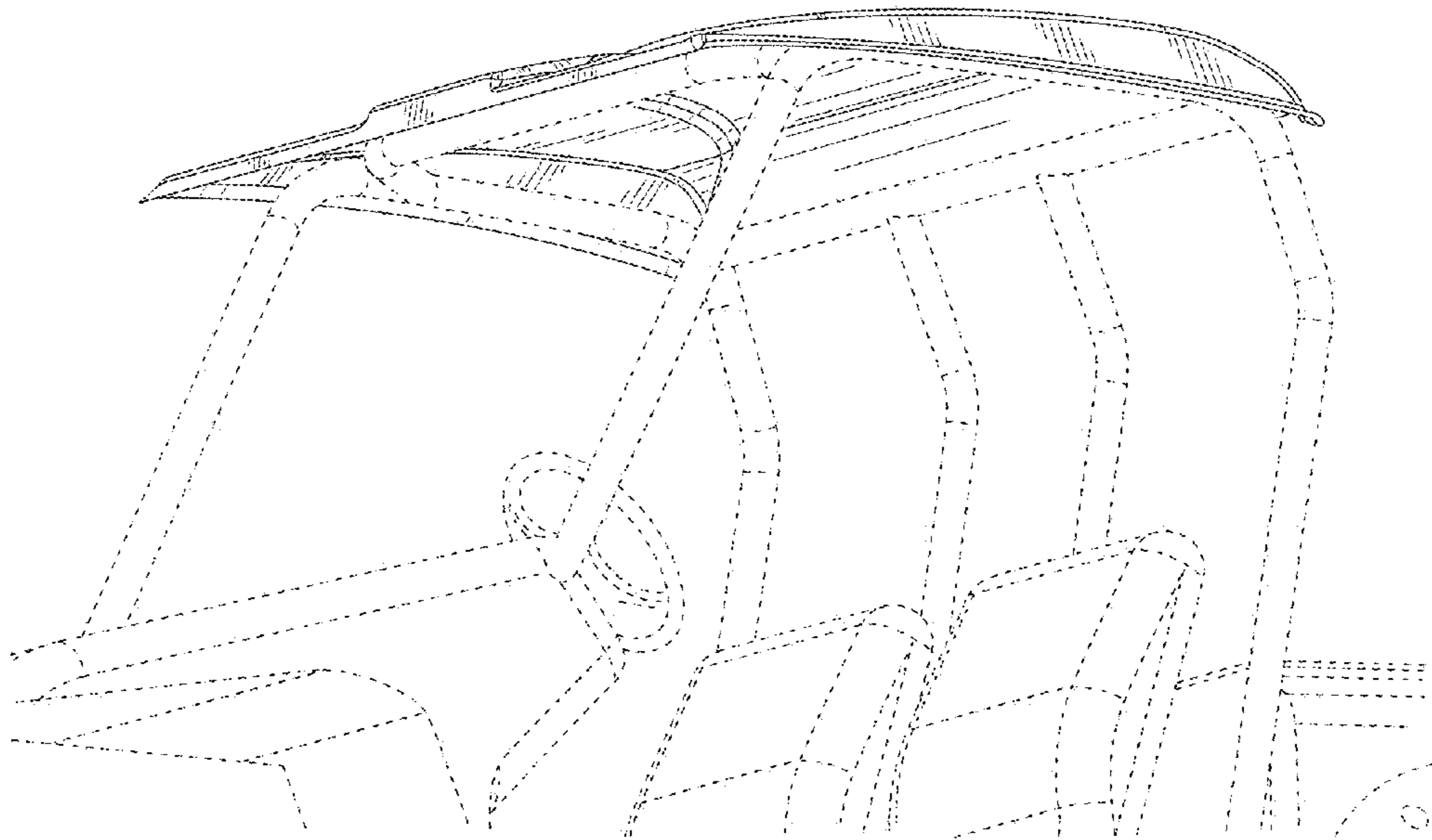


FIG.2

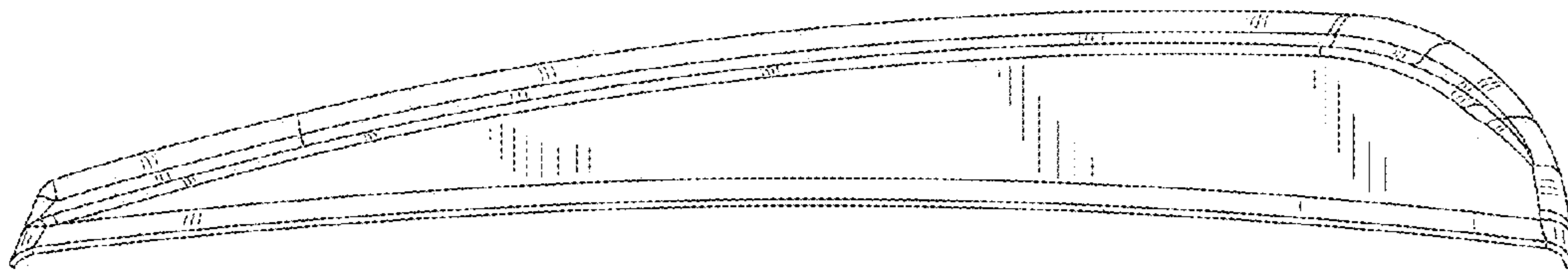


FIG.3

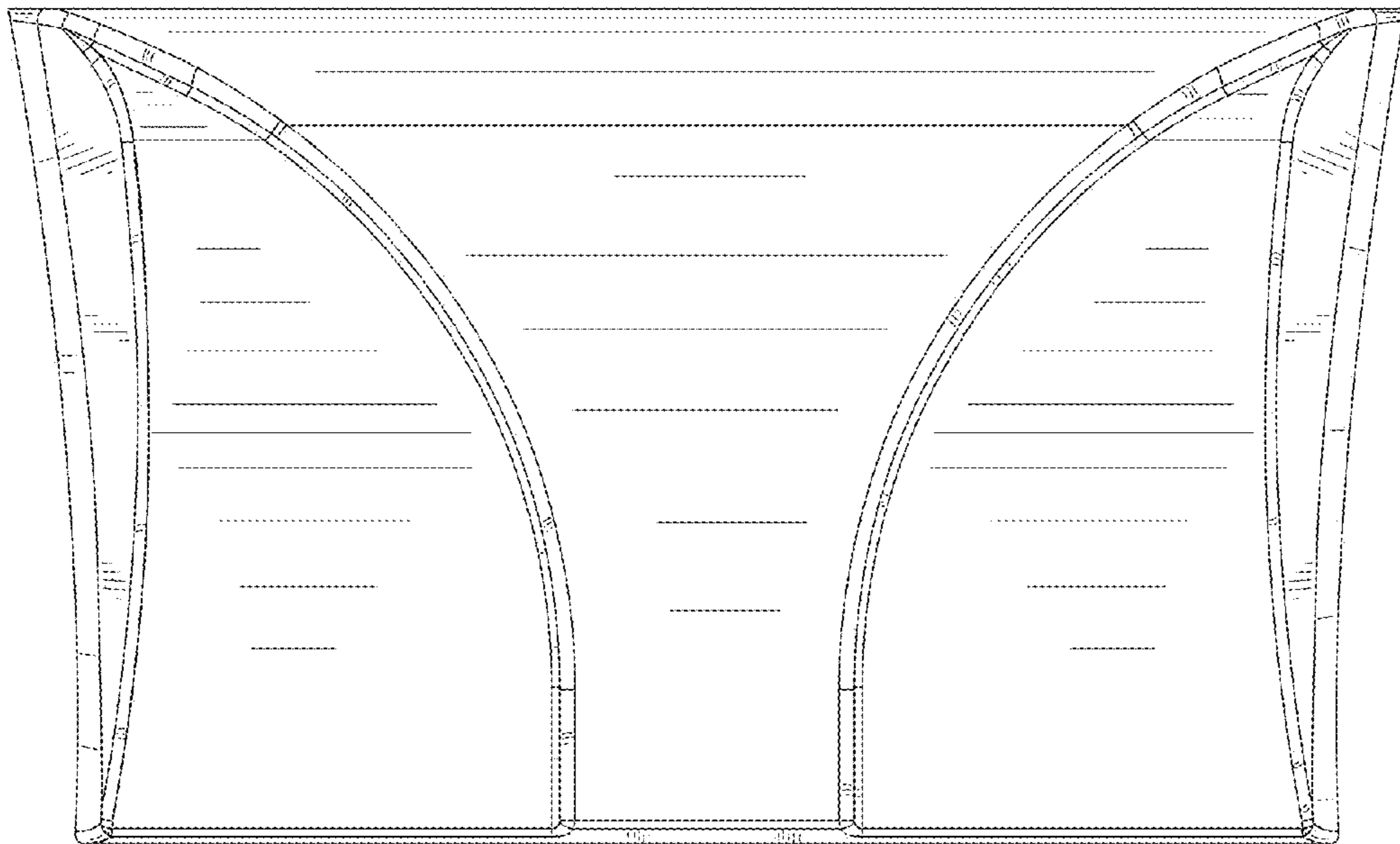


FIG.4

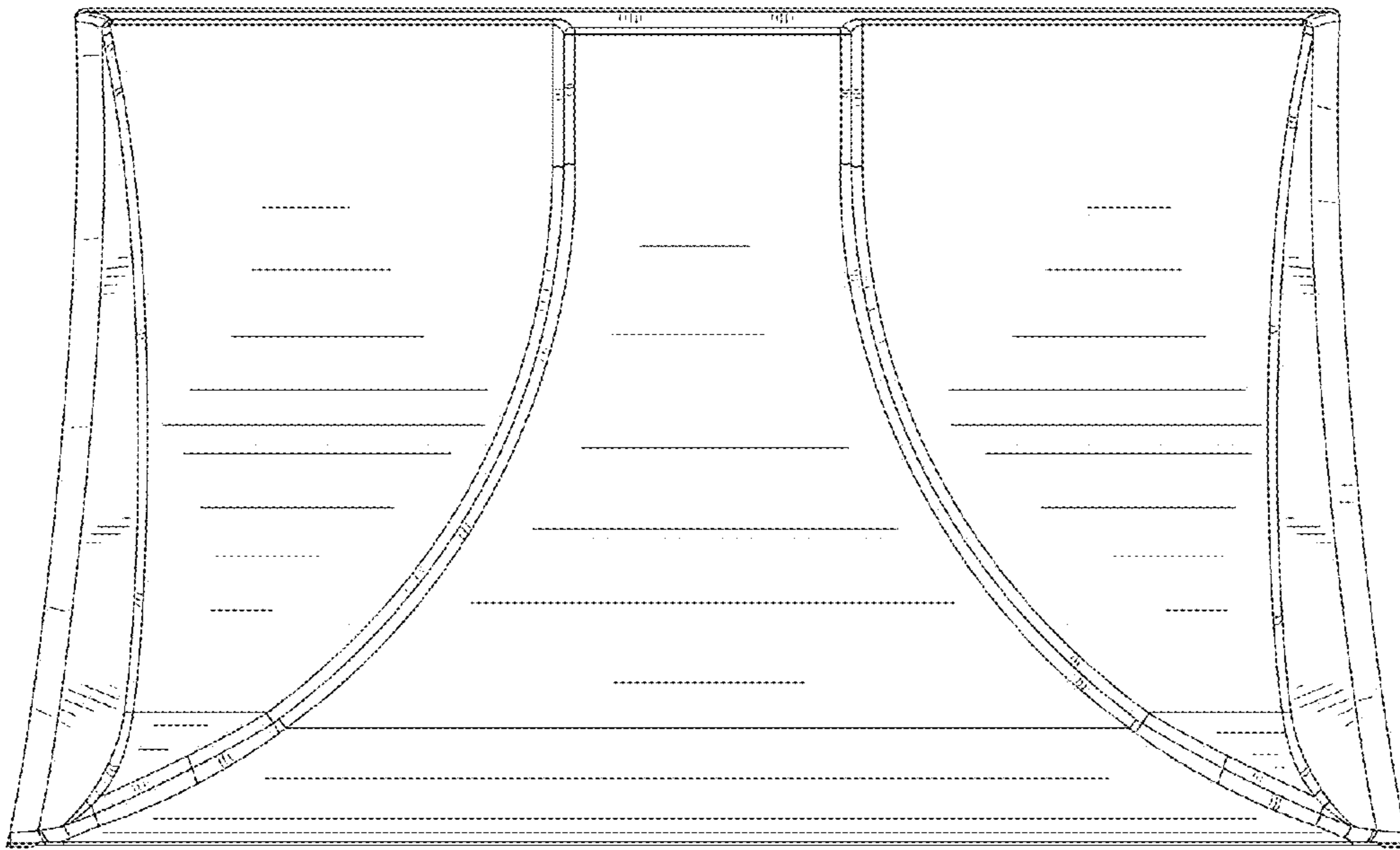


FIG.5



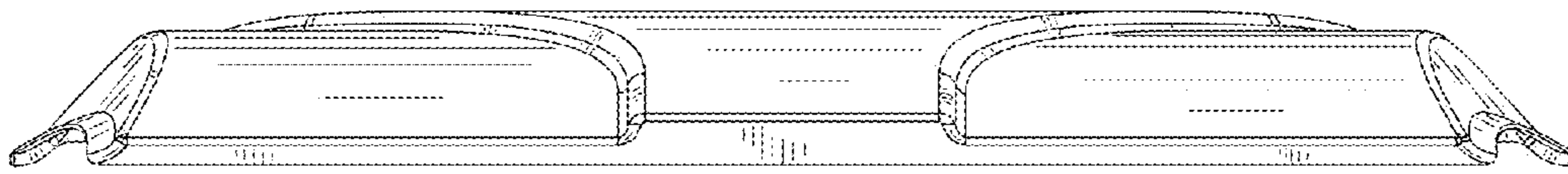


FIG.6

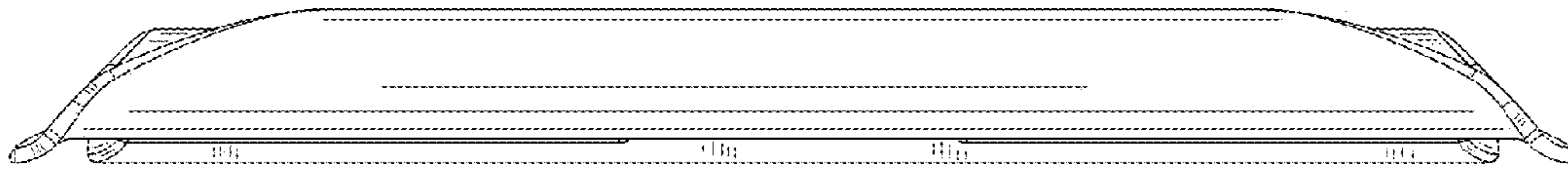


FIG.7