



US00D686134S

(12) **United States Design Patent**
Amezqueta

(10) **Patent No.:** **US D686,134 S**
(45) **Date of Patent:** **** Jul. 16, 2013**

(54) **WHEEL OR WHEEL COVER**

(71) Applicant: **Bayerische Motoren Werke**
Aktiengesellschaft, Munich (DE)

(72) Inventor: **Eneko Amezqueta, Munich (DE)**

(73) Assignee: **Bayerische Motoren Werke**
Aktiengesellschaft, Munich (DE)

(**) Term: **14 Years**

(21) Appl. No.: **29/440,078**

(22) Filed: **Dec. 19, 2012**

(30) **Foreign Application Priority Data**

Jun. 22, 2012 (DE) 40 2012 100 471

(51) **LOC (9) Cl.** **12-16**

(52) **U.S. Cl.**
USPC **D12/211**

(58) **Field of Classification Search**
USPC D12/204-213; 301/37.101, 64.101,
301/65, 64.201

See application file for complete search history.

(56) **References Cited**

U.S. PATENT DOCUMENTS

D407,364 S	3/1999	Fisker	
D432,974 S *	10/2000	Jablonski	D12/211
D445,083 S *	7/2001	Chung	D12/211
D450,650 S *	11/2001	Cinibulk	D12/211
D454,527 S *	3/2002	Bhambra	D12/209
D475,674 S *	6/2003	Baumgartner	D12/211
D476,283 S *	6/2003	Baumgartner	D12/211
D488,420 S *	4/2004	Murkett et al.	D12/209
D521,438 S *	5/2006	Nordmann	D12/211
D533,825 S *	12/2006	Baumgartner	D12/211
D536,654 S *	2/2007	Moruzzi	D12/211
D542,208 S *	5/2007	Gallert	D12/211

D567,167 S	4/2008	Forster	
D598,834 S *	8/2009	Juergens et al.	D12/209
D610,065 S *	2/2010	Gallert	D12/211
D639,714 S *	6/2011	Baum	D12/209
D652,363 S *	1/2012	Chung	D12/211
D655,657 S	3/2012	Juergens et al.	
D663,668 S *	7/2012	Pollmann	D12/209
D669,833 S	10/2012	Pollmann	
D670,630 S *	11/2012	Flueckiger	D12/209
D673,099 S *	12/2012	Ender	D12/211

FOREIGN PATENT DOCUMENTS

DE	M9701285.8	6/1997
DE	40010998.0	3/2001
EM	000735758-0006	7/2007
EM	001072284-0001	3/2009
EM	001804675-0007	11/2011
EM	002015602-0002	3/2012
EM	002016113-0001	3/2012

* cited by examiner

Primary Examiner — Stacia Cadmus

(74) *Attorney, Agent, or Firm* — Crowell & Moring LLP

(57) **CLAIM**

The ornamental design for a wheel or wheel cover, as shown and described.

DESCRIPTION

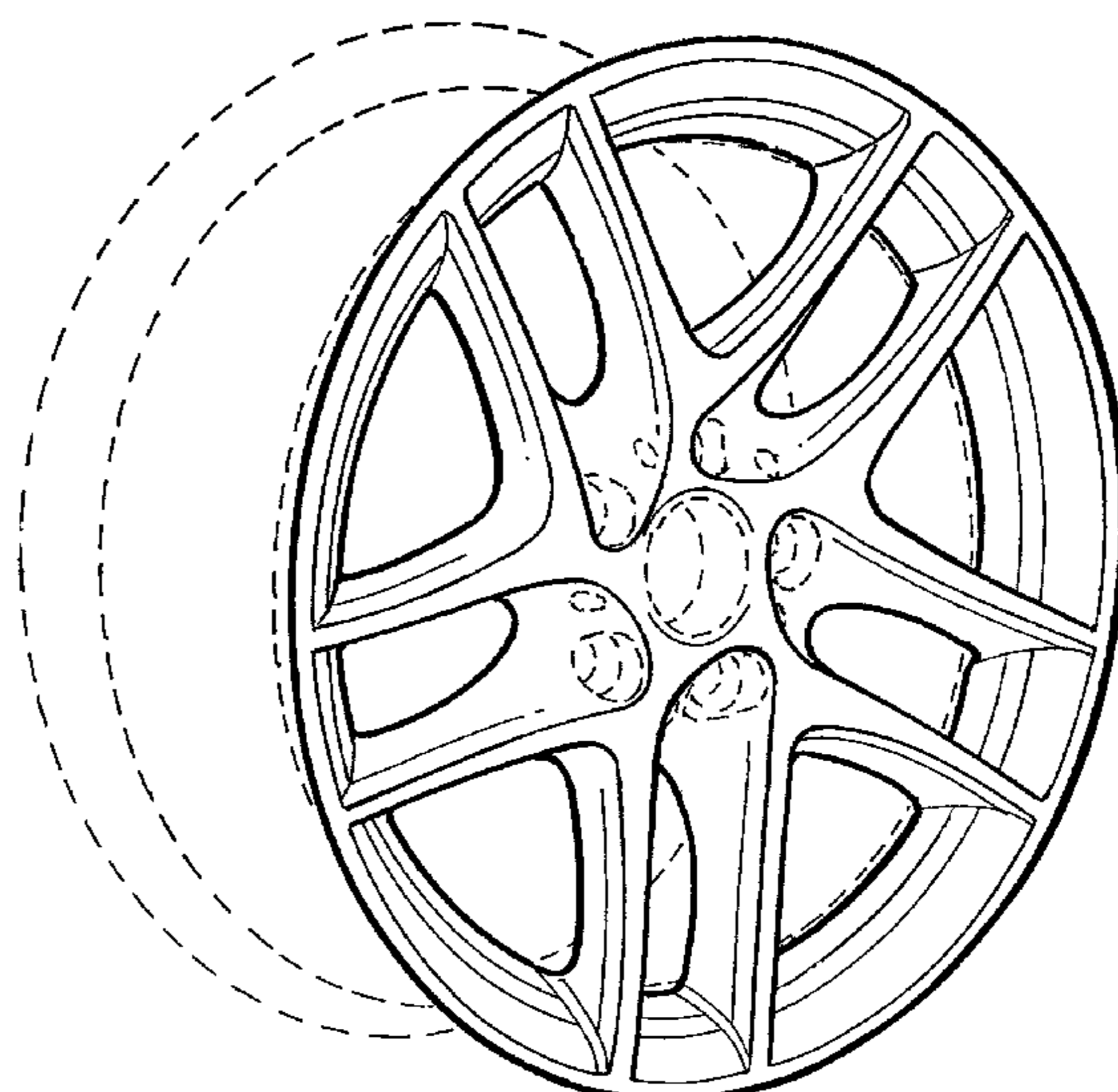
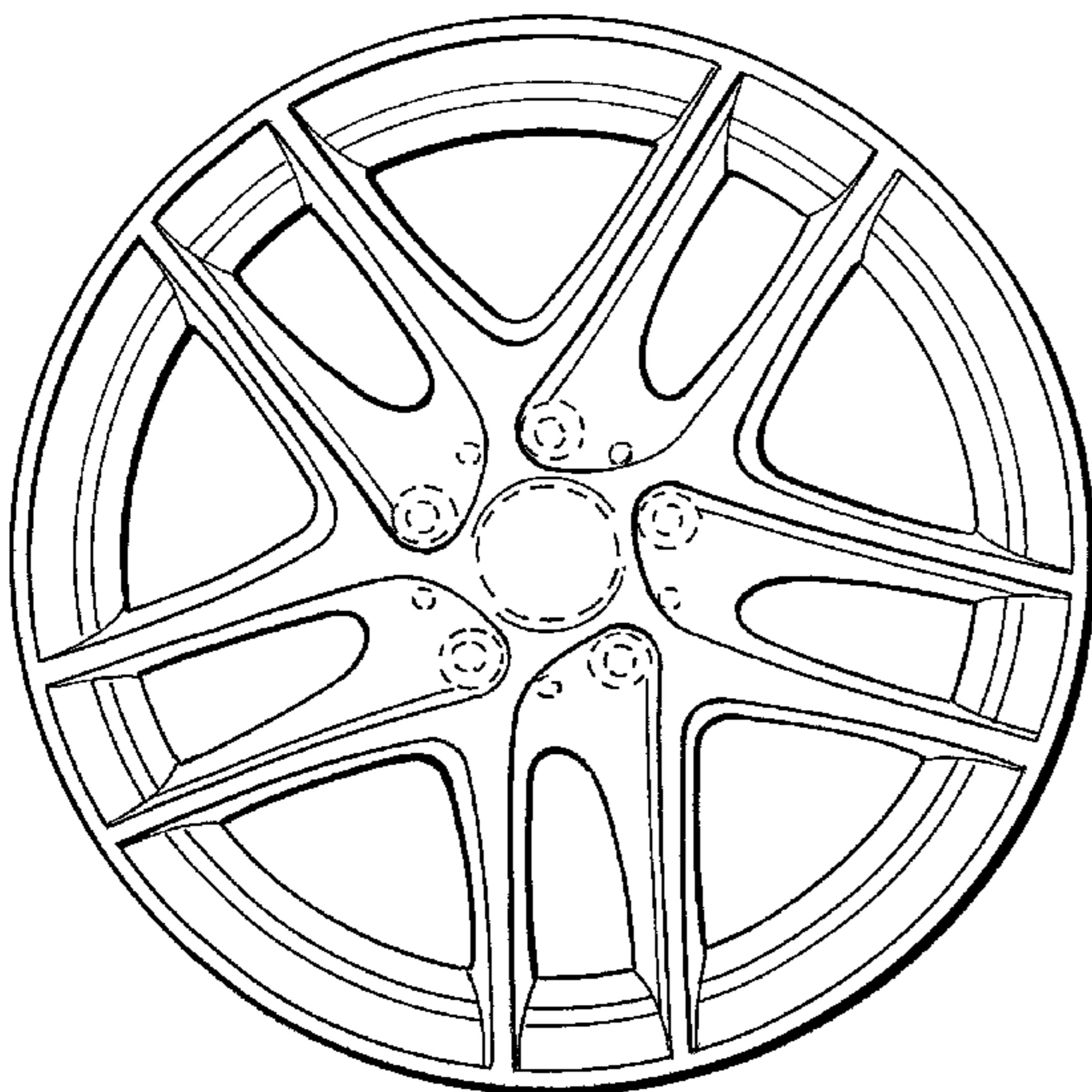
This application contains subject matter related to the following co-pending U.S. design patent application: Application Ser. No. 29/417,547, filed Apr. 5, 2012 and entitled "Wheel or Wheel Cover."

FIG. 1 is a front view of a wheel or wheel cover according to the design; and,

FIG. 2 is a perspective view thereof.

The broken line showing of the rear of the wheel and the bolt holes and center opening in the central hub area is included for the purpose of illustrating environment and forms no part of the claimed design.

1 Claim, 1 Drawing Sheet



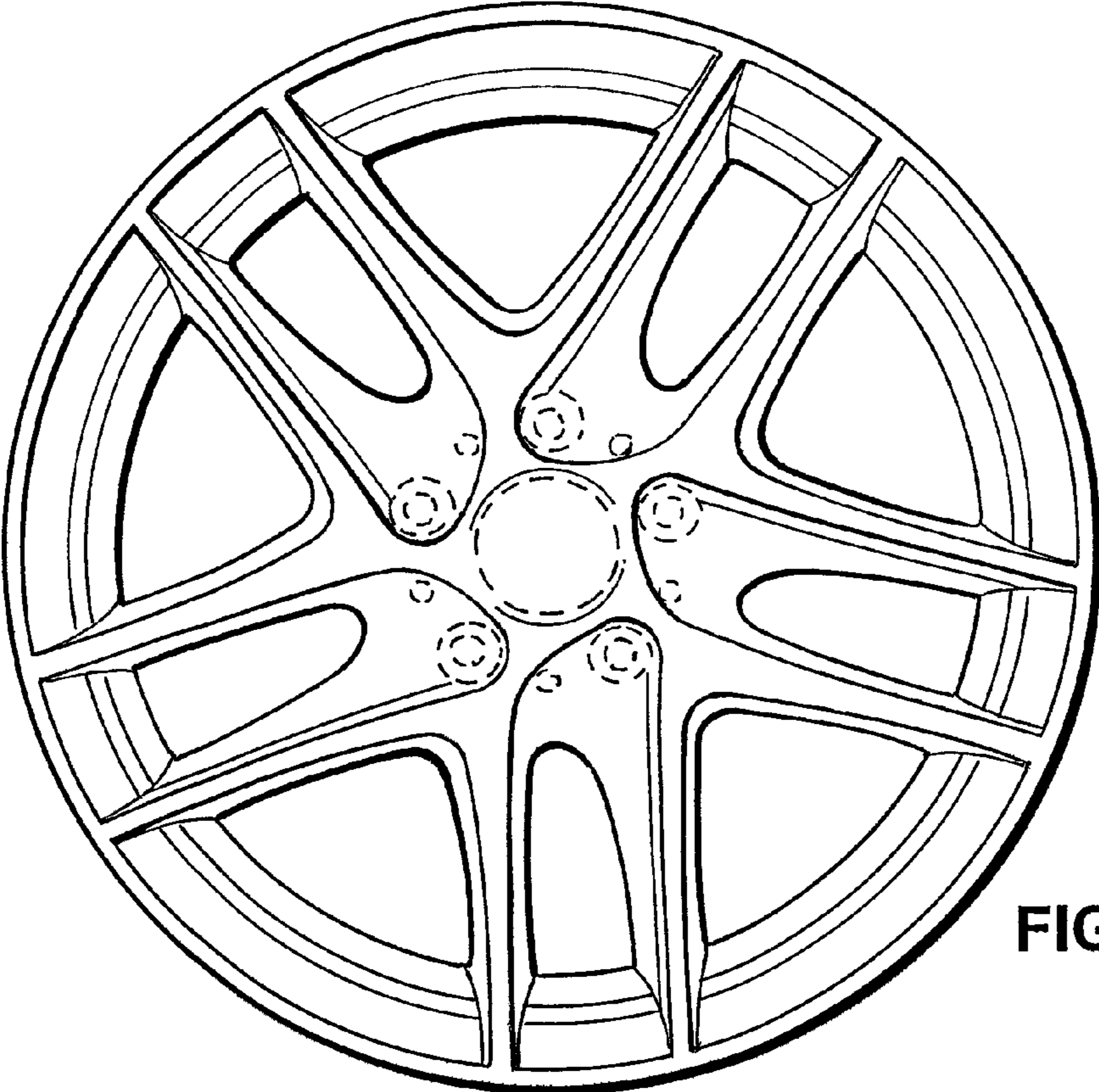


FIG. 1

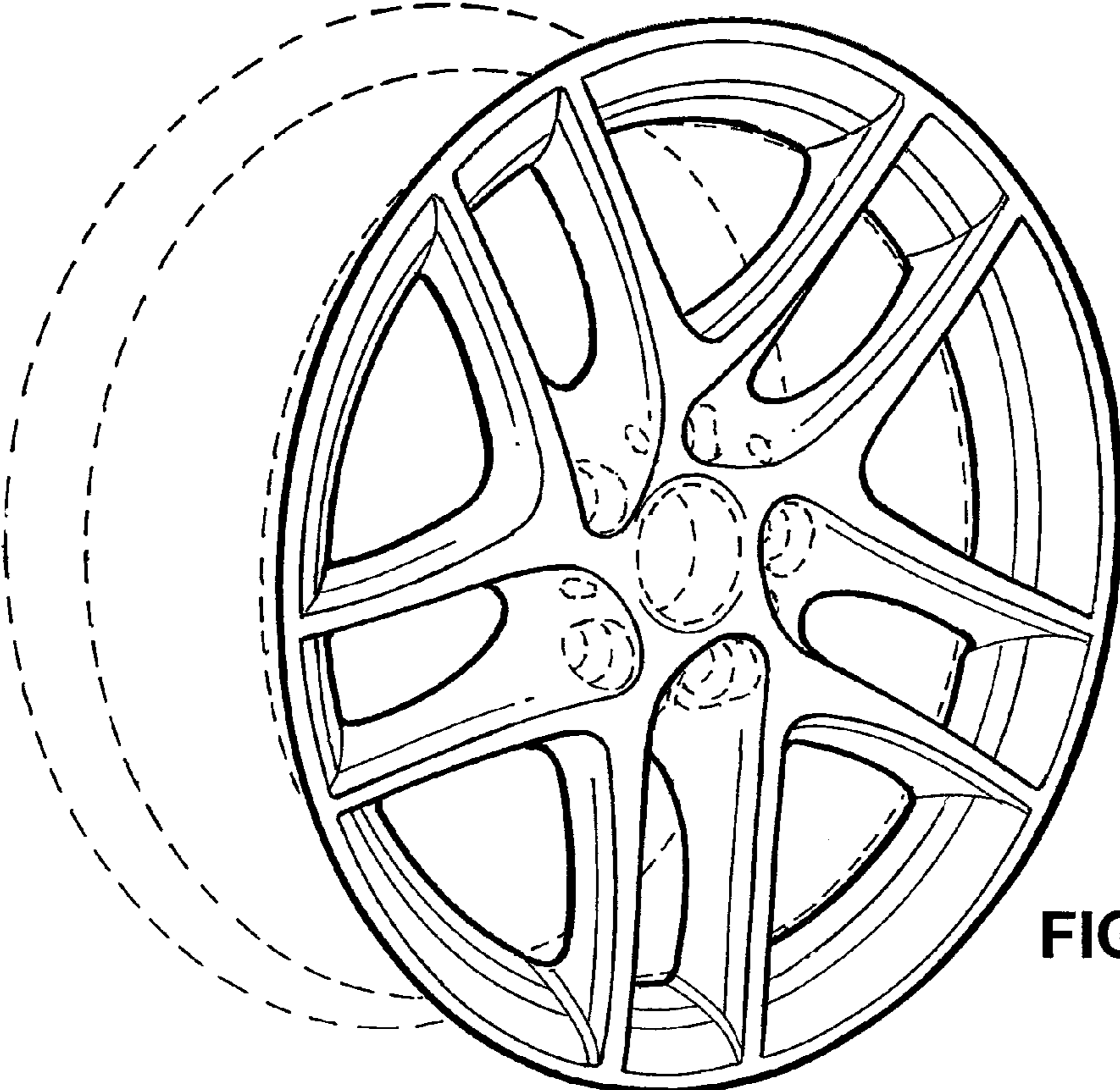


FIG. 2