



US00D686133S

(12) **United States Design Patent**  
**Juergens et al.**

(10) **Patent No.:** **US D686,133 S**  
(45) **Date of Patent:** **\*\* Jul. 16, 2013**

- (54) **WHEEL OR WHEEL COVER**
- (71) Applicant: **Bayerische Motoren Werke Aktiengesellschaft, Munich (DE)**
- (72) Inventors: **Dirk Juergens, Munich (DE); Rainer Mueller, Munich (DE)**
- (73) Assignee: **Bayerische Motoren Werke Aktiengesellschaft, Munich (DE)**
- (\*\*) Term: **14 Years**
- (21) Appl. No.: **29/440,089**
- (22) Filed: **Dec. 19, 2012**
- (30) **Foreign Application Priority Data**  
Jun. 22, 2012 (DE) ..... 40 2012 100 471
- (51) **LOC (9) Cl.** ..... **12-16**
- (52) **U.S. Cl.**  
USPC ..... **D12/209**
- (58) **Field of Classification Search**  
USPC ..... D12/204-213; 301/37.101, 64.101, 301/65, 64.201  
See application file for complete search history.

(56) **References Cited**

**U.S. PATENT DOCUMENTS**

D325,189 S	4/1992	Kapitza	
D402,249 S *	12/1998	Kulla	D12/209
D409,966 S *	5/1999	Chung	D12/209
D425,470 S *	5/2000	Pfeiffer et al.	D12/209
D451,460 S *	12/2001	Arellano	D12/209
D455,991 S *	4/2002	Kaucher	D12/209
D581,337 S *	11/2008	Juergens et al.	D12/209
D584,209 S *	1/2009	Klimas	D12/209

D585,354 S	1/2009	Powell et al.	
D594,800 S	6/2009	Blasi	
D619,524 S *	7/2010	Gabath	D12/209
D619,951 S *	7/2010	Baum	D12/209
D631,812 S	2/2011	Juergens et al.	
D631,814 S *	2/2011	Baum	D12/209
D652,361 S	1/2012	Forschner	
D664,488 S *	7/2012	Guille	D12/209
D664,908 S *	8/2012	Kim	D12/209
D671,474 S	11/2012	Juergens et al.	
D671,478 S *	11/2012	Baum et al.	D12/209

**FOREIGN PATENT DOCUMENTS**

DE	M8908658.9	8/1990
EM	000934468-0003	10/2009
EM	001036552-0002	11/2009
EM	001635897-0002	10/2010
EM	001867169-0001	5/2011
EM	002016113-0006	3/2012
EM	001772922-0017	8/2012

\* cited by examiner

*Primary Examiner* — Stacia Cadmus

(74) *Attorney, Agent, or Firm* — Crowell & Moring LLP

(57) **CLAIM**

The ornamental design for a wheel or wheel cover, as shown and described.

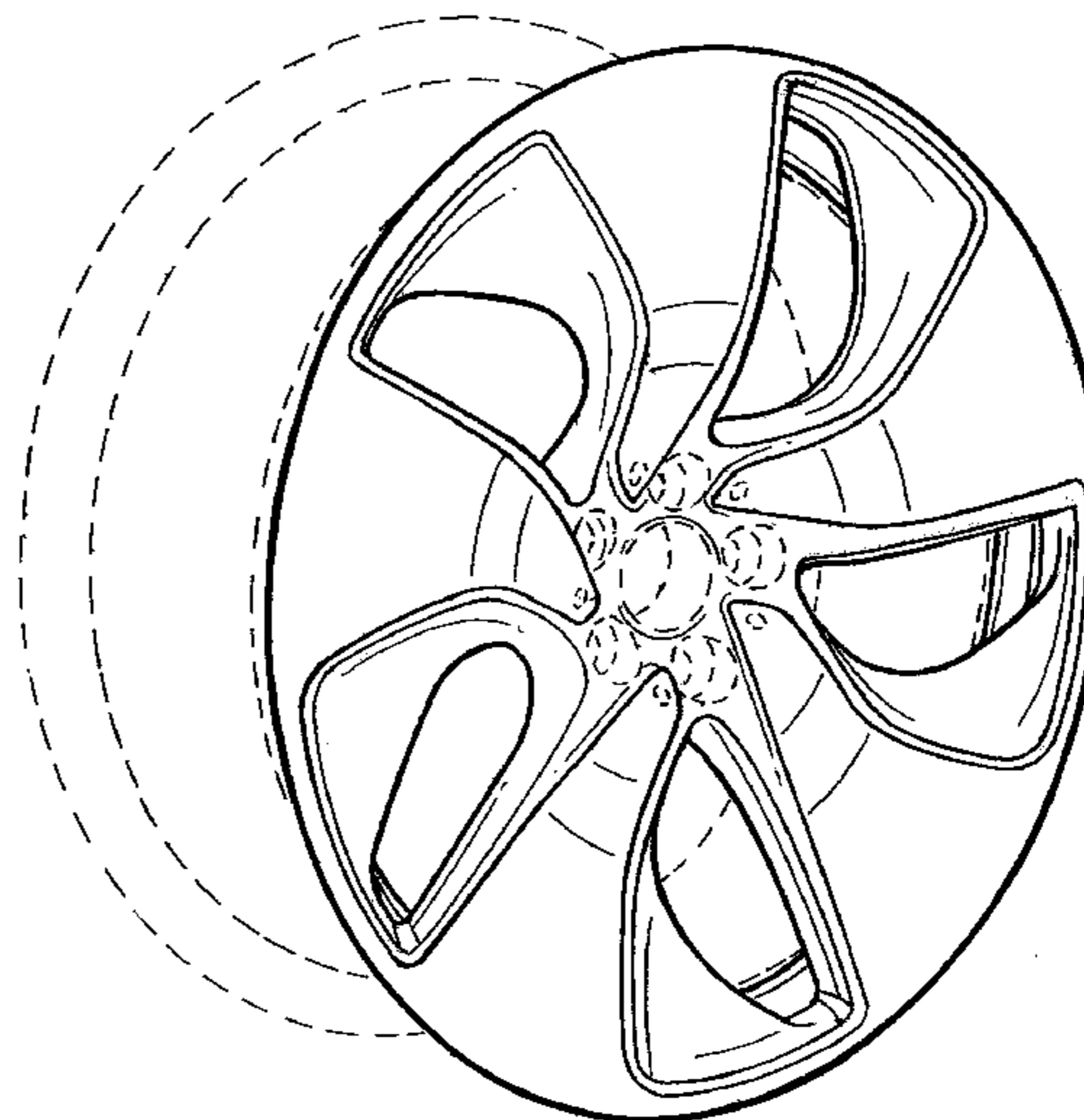
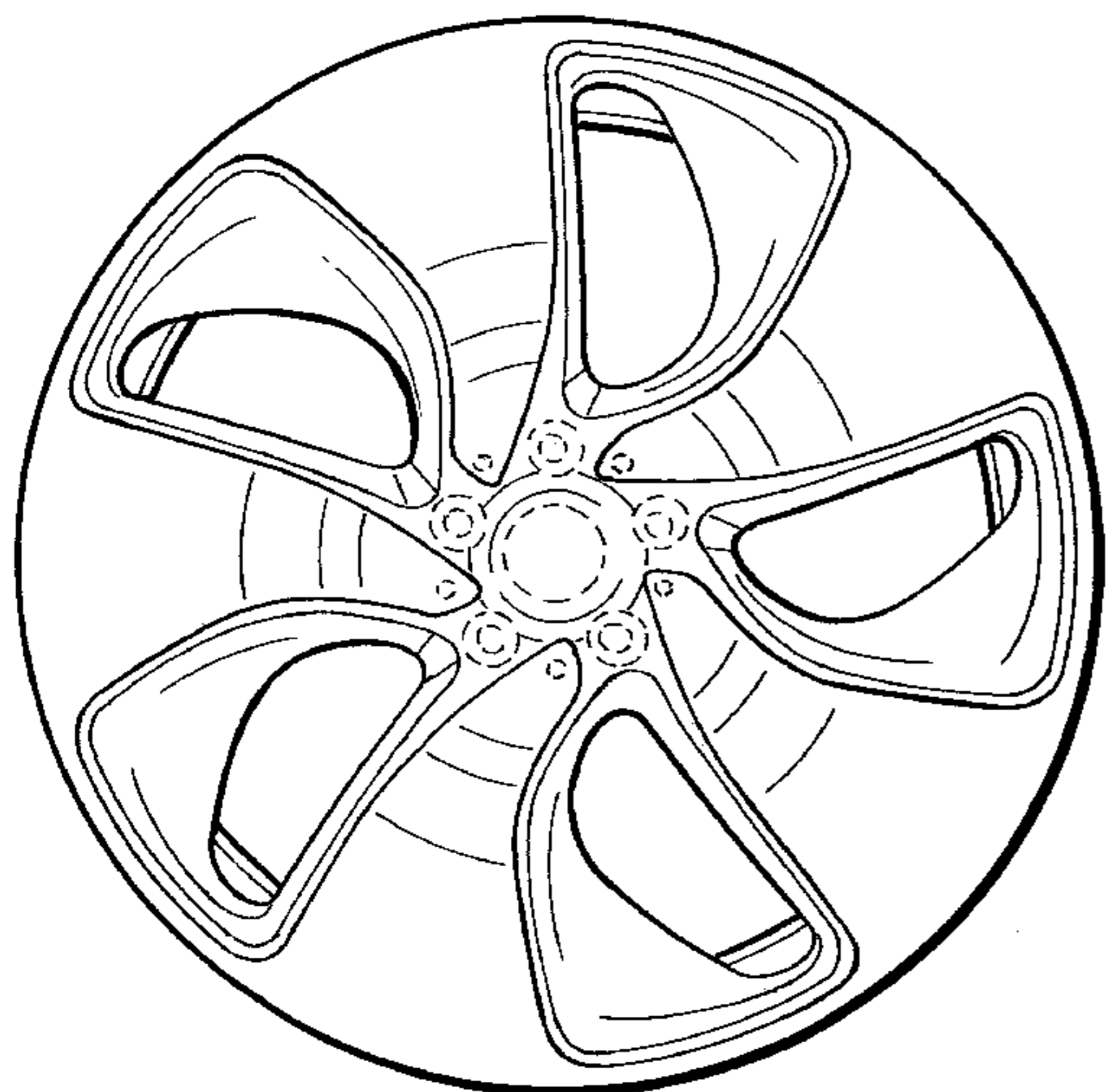
**DESCRIPTION**

FIG. 1 is a front view of a wheel or wheel cover according to the design; and,

FIG. 2 is a perspective view thereof.

The broken line showing of the rear of the wheel and the bolt holes and center opening in the central hub area is included for the purpose of illustrating environment and forms no part of the claimed design.

**1 Claim, 1 Drawing Sheet**



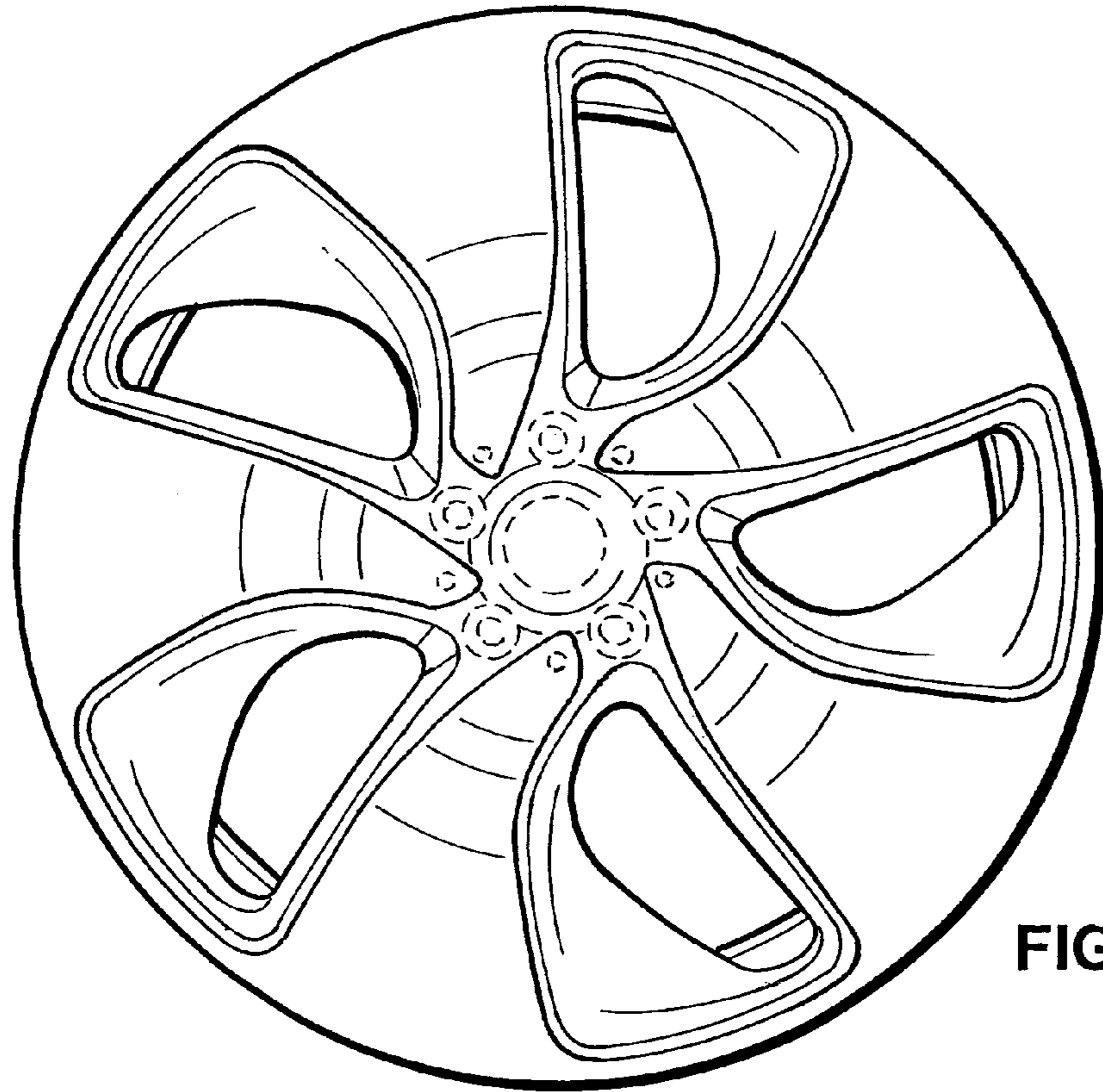


FIG. 1

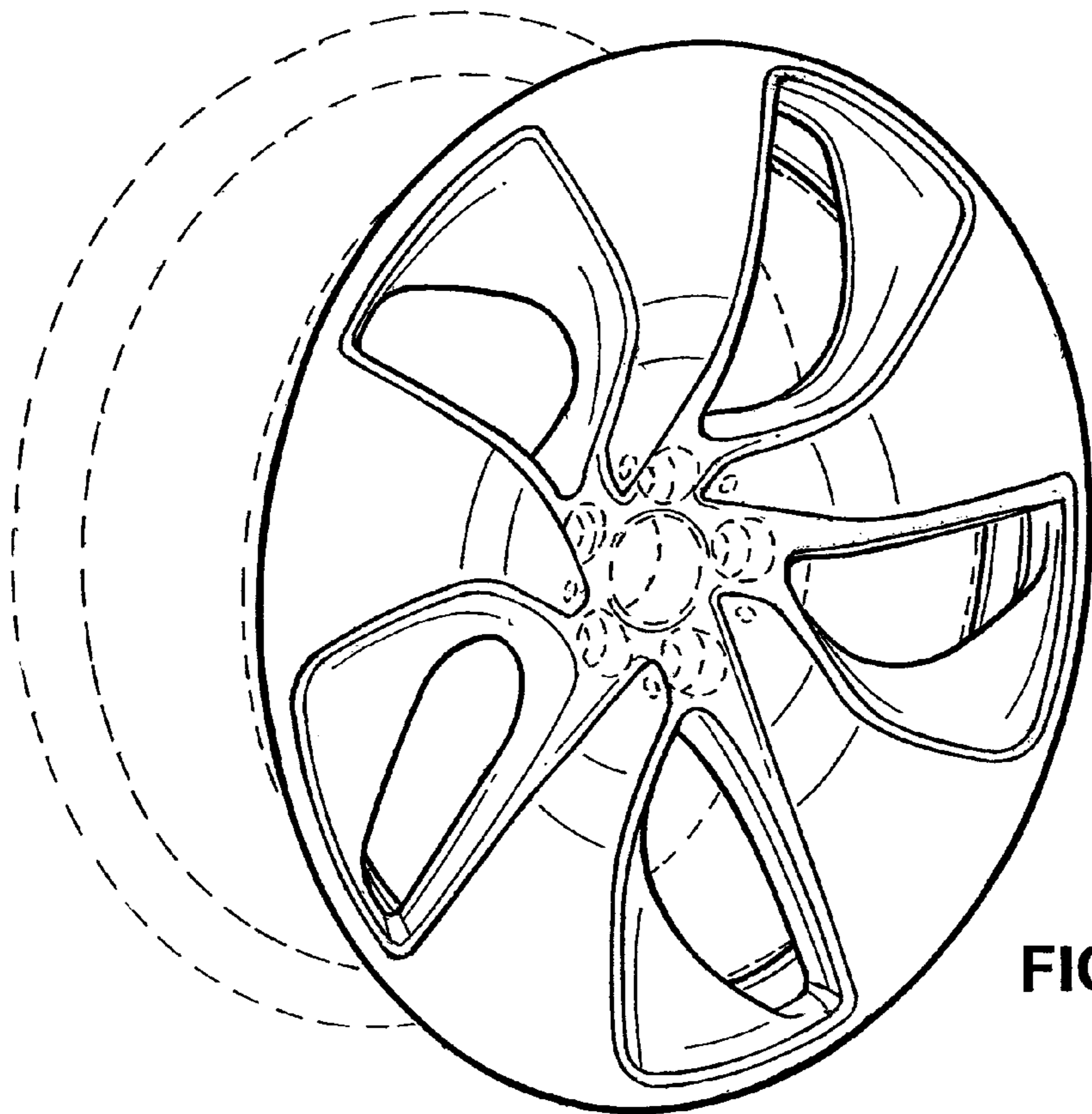


FIG. 2