



US00D686132S

(12) **United States Design Patent**
Truebsbach

(10) **Patent No.:** **US D686,132 S**
(45) **Date of Patent:** **** Jul. 16, 2013**

(54) **WHEEL OR WHEEL COVER**
(71) Applicant: **Bayerische Motoren Werke**
Aktiengesellschaft, Munich (DE)
(72) Inventor: **Sebastian Truebsbach, Andechs (DE)**
(73) Assignee: **Bayerische Motoren Werke**
Aktiengesellschaft, Munich (DE)

D626,051 S * 10/2010 Fisker et al. D12/209
D635,078 S 3/2011 Elmitt
D643,795 S 8/2011 Nissl
D644,158 S 8/2011 Nissl
D644,589 S * 9/2011 Fisker et al. D12/211
D645,389 S 9/2011 Nissl
D655,657 S 3/2012 Juergens et al.
D660,767 S * 5/2012 von Holzhausen et al. . D12/209
D663,248 S * 7/2012 Kogawa D12/209
D666,958 S * 9/2012 Suzuki D12/211
D671,876 S * 12/2012 Roura D12/209

(**) Term: **14 Years**
(21) Appl. No.: **29/440,087**

FOREIGN PATENT DOCUMENTS

EM 000304274-0004 5/2005
EM 000735758-0006 7/2007
EM 000863055-0001 3/2008
EM 001636978-0020 11/2010
EM 001754979-0001 11/2011
EM 001804675-0003 11/2011
EM 001804675-0006 11/2011
EM 001804675-0007 8/2012

(22) Filed: **Dec. 19, 2012**
(30) **Foreign Application Priority Data**

Jun. 22, 2012 (DE) 40 2012 100 471

(51) **LOC (9) Cl.** **12-16**
(52) **U.S. Cl.**
USPC **D12/209**
(58) **Field of Classification Search**
USPC D12/204-213; 301/37.101, 64.101,
301/65, 64.201
See application file for complete search history.

* cited by examiner

Primary Examiner — Stacia Cadmus

(74) *Attorney, Agent, or Firm* — Crowell & Moring LLP

(56) **References Cited**

U.S. PATENT DOCUMENTS

D379,612 S * 6/1997 Honarkhah D12/209
D431,514 S * 10/2000 Cullen D12/209
D515,491 S 2/2006 Elmitt
D567,167 S 4/2008 Forster
D569,322 S * 5/2008 Scheu D12/211
D574,311 S * 8/2008 Chung D12/209
D581,852 S * 12/2008 Scheu D12/211
D588,517 S * 3/2009 Aroney D12/211
D590,314 S 4/2009 Hettler
D590,322 S * 4/2009 Rak D12/211

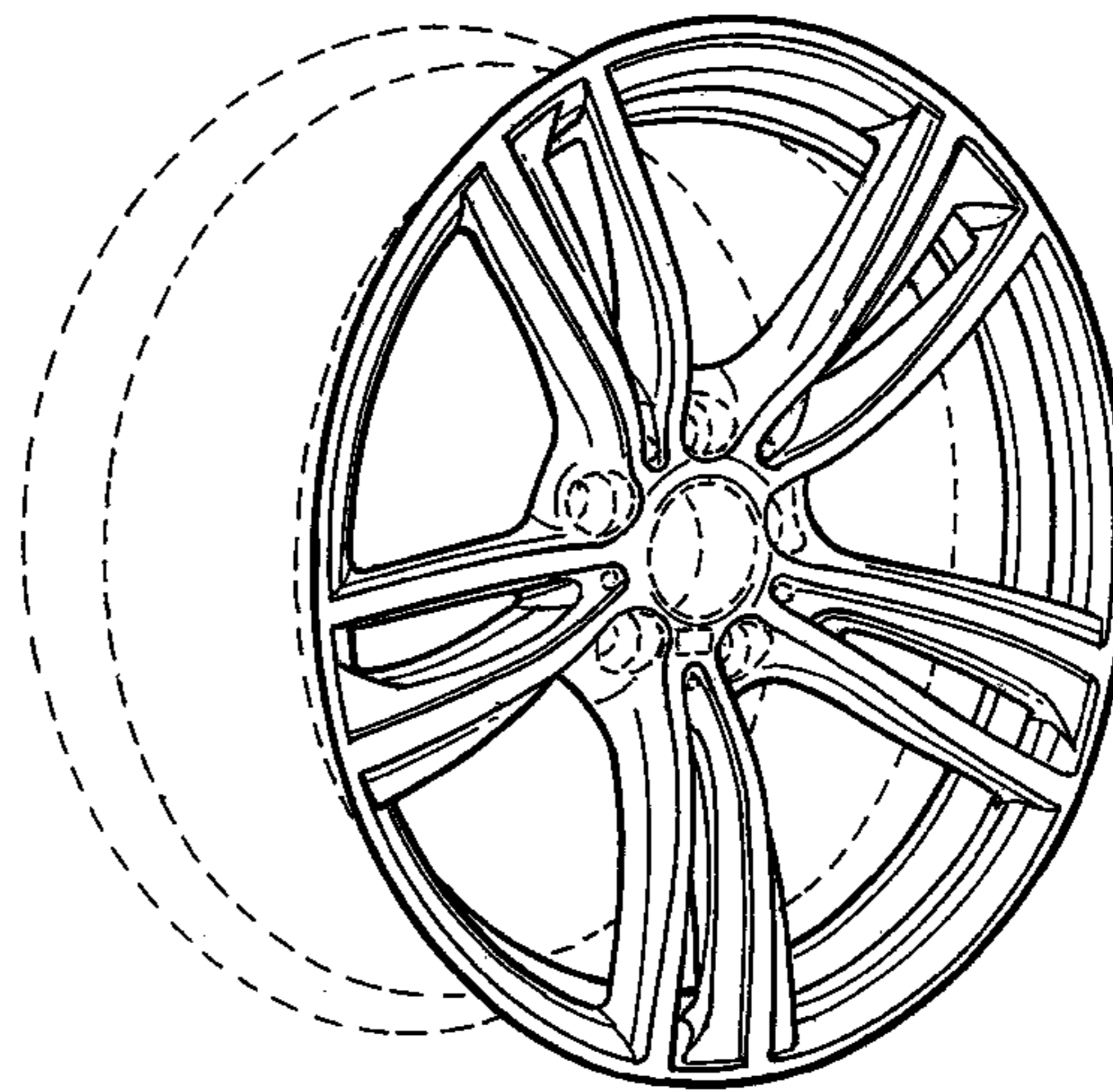
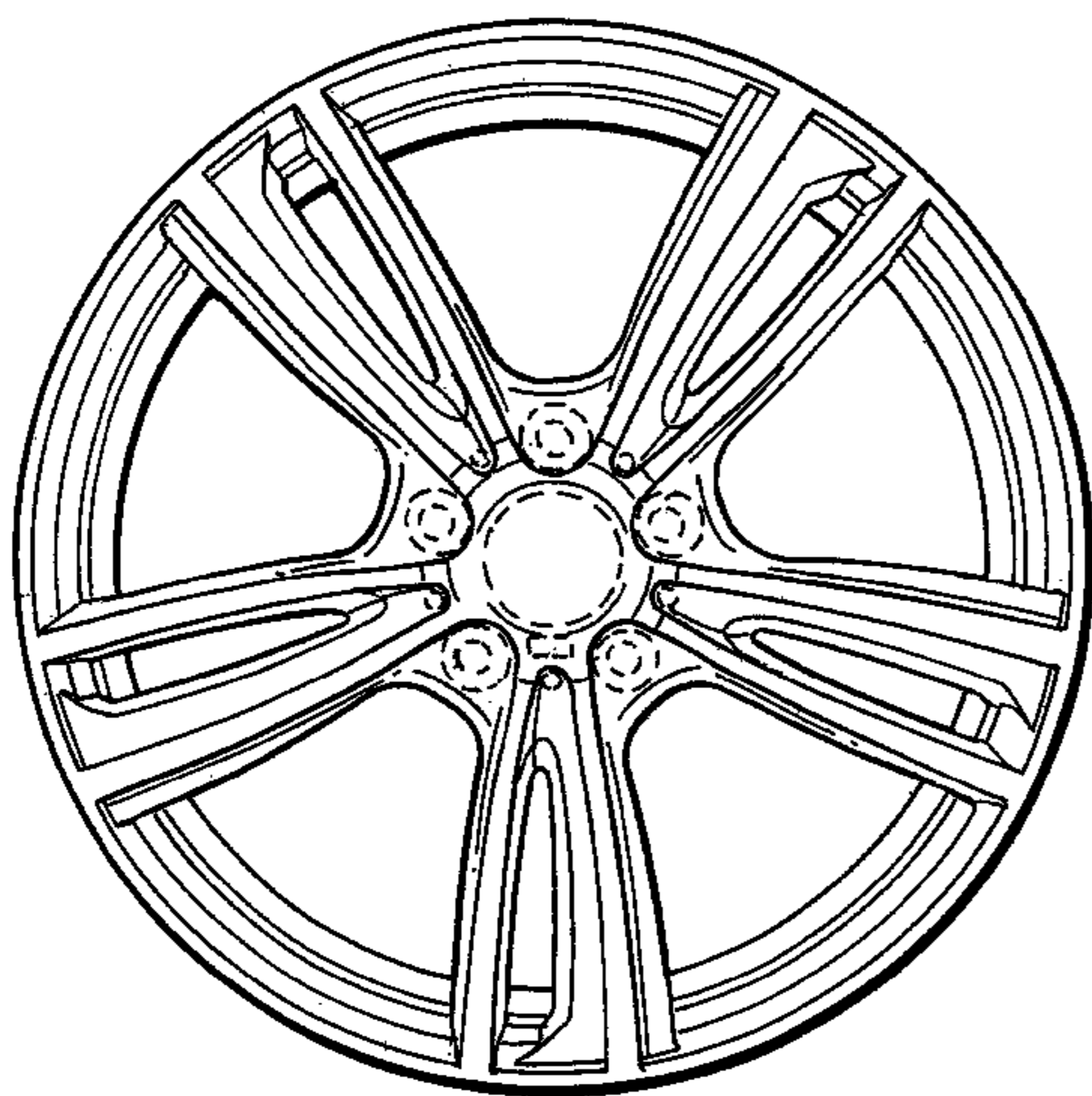
(57) **CLAIM**

The ornamental design for a wheel or wheel cover, as shown and described.

DESCRIPTION

FIG. 1 is a front view of a wheel or wheel cover according to the design; and,
FIG. 2 is a perspective view thereof.
The broken line showing of the rear of the wheel and the bolt holes and center opening in the central hub area is included for the purpose of illustrating environment and forms no part of the claimed design.

1 Claim, 1 Drawing Sheet



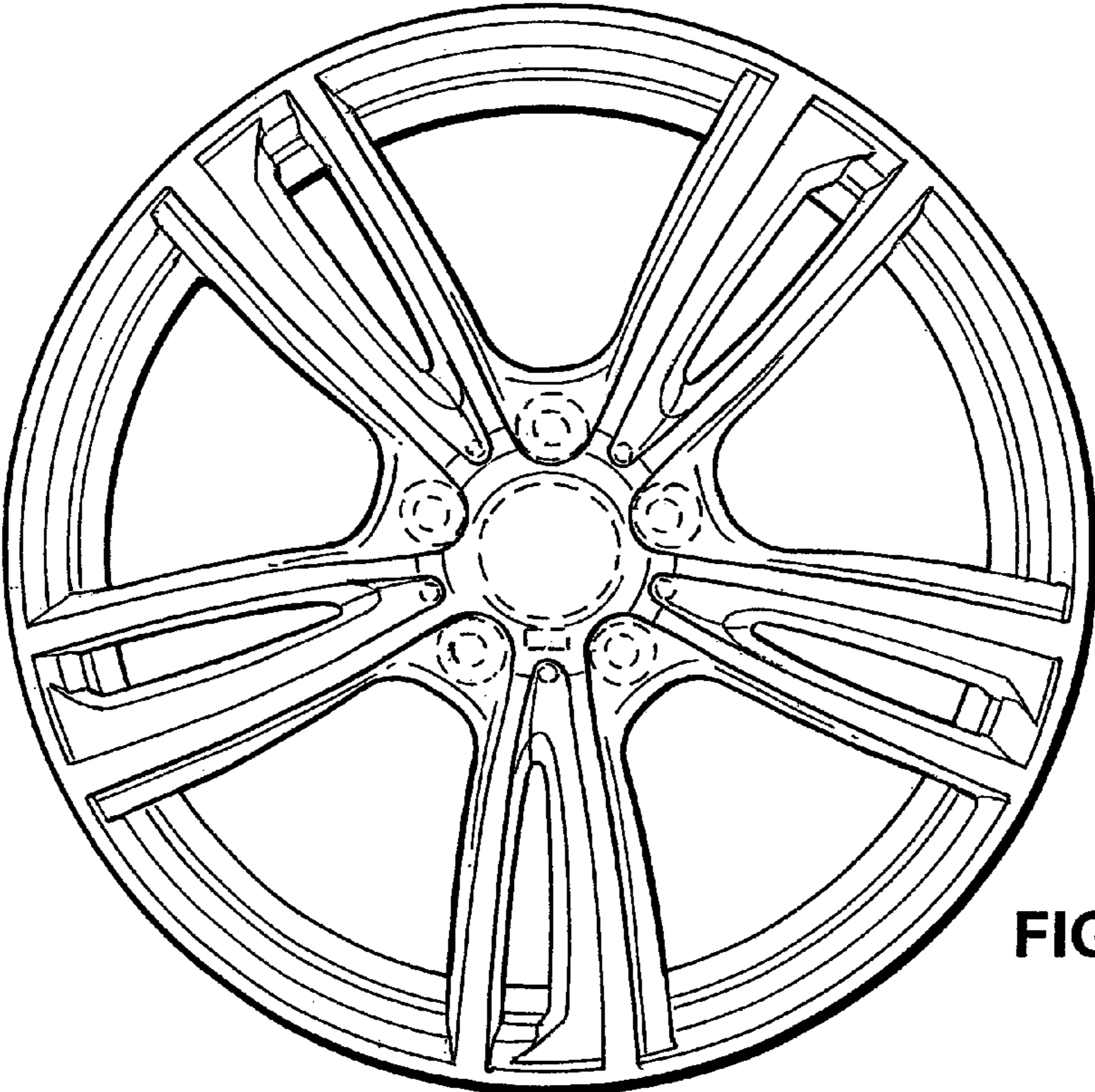


FIG. 1

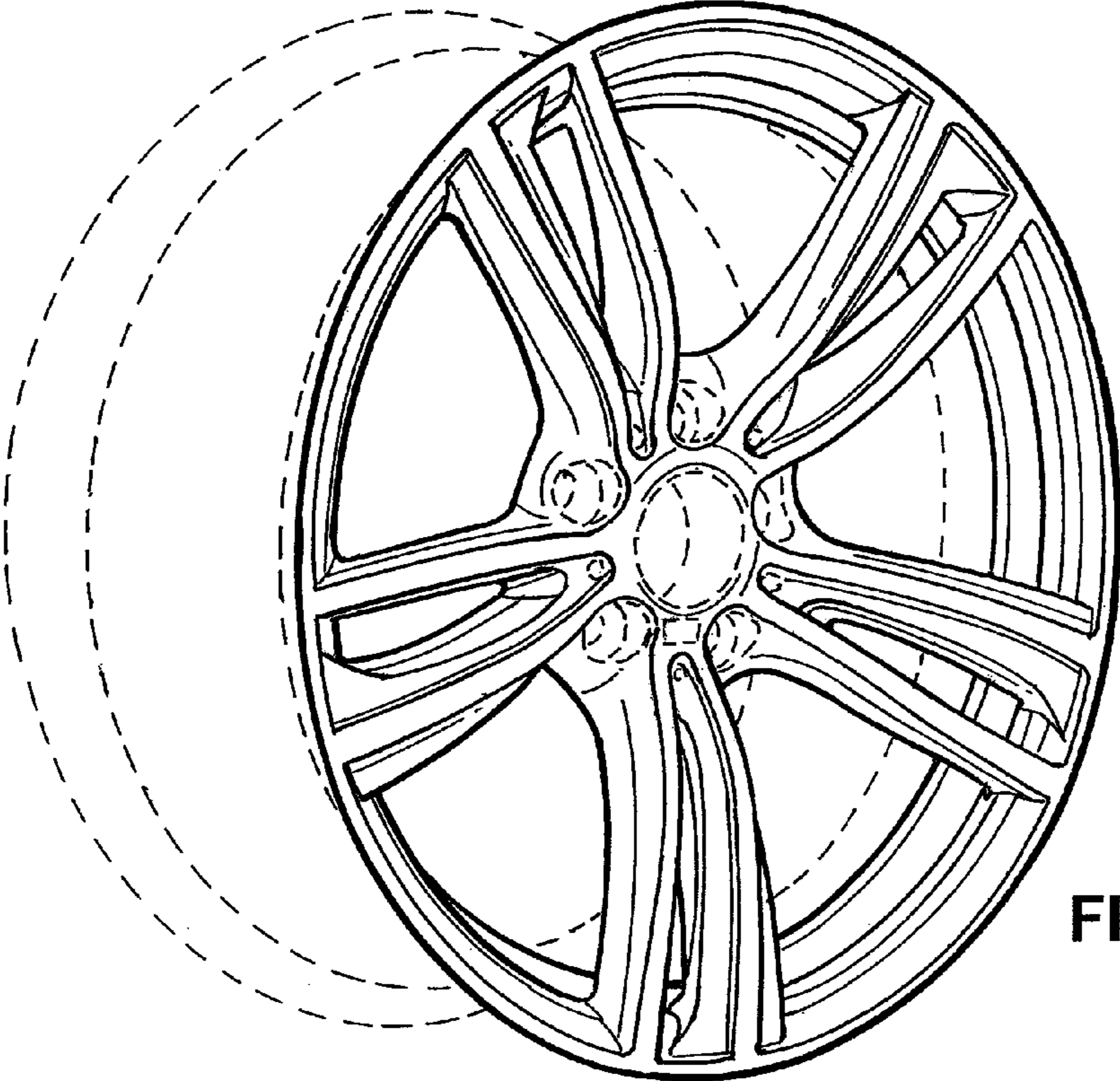


FIG. 2