



US00D686131S

(12) **United States Design Patent**
Nissl

(10) **Patent No.:** **US D686,131 S**
(45) **Date of Patent:** **** Jul. 16, 2013**

(54) **WHEEL OR WHEEL COVER**
(71) Applicant: **Bayerische Motoren Werke**
Aktiengesellschaft, Munich (DE)
(72) Inventor: **Florian Dieter Nissl, Munich (DE)**
(73) Assignee: **Bayerische Motoren Werke**
Aktiengesellschaft, Munich (DE)
(**) Term: **14 Years**
(21) Appl. No.: **29/440,086**
(22) Filed: **Dec. 19, 2012**

D642,967 S * 8/2011 Lamm et al. D12/209
D643,794 S 8/2011 Elmitt
D655,661 S 3/2012 Truebsbach
D658,101 S 4/2012 Nissl
D658,102 S * 4/2012 Nissl D12/209
D660,217 S * 5/2012 Nissl D12/209
D667,768 S 9/2012 Elmitt

FOREIGN PATENT DOCUMENTS

EM 000255609-0004 2/2005
EM 000304274-0004 5/2005
EM 000863055-0001 3/2008
EM 001908807-0003 8/2011
EM 001754979-0001 11/2011
EM 001804675-0002 11/2011
EM 001804675-0008 11/2011
EM 001846346-0004 8/2012

* cited by examiner

Primary Examiner — Stacia Cadmus
(74) *Attorney, Agent, or Firm* — Crowell & Moring LLP

(30) **Foreign Application Priority Data**
Jun. 22, 2012 (DE) 40 2012 100 471
(51) **LOC (9) Cl.** **12-16**
(52) **U.S. Cl.**
USPC **D12/209**
(58) **Field of Classification Search**
USPC D12/204-213; 301/37.101, 64.101,
301/65, 64.201
See application file for complete search history.

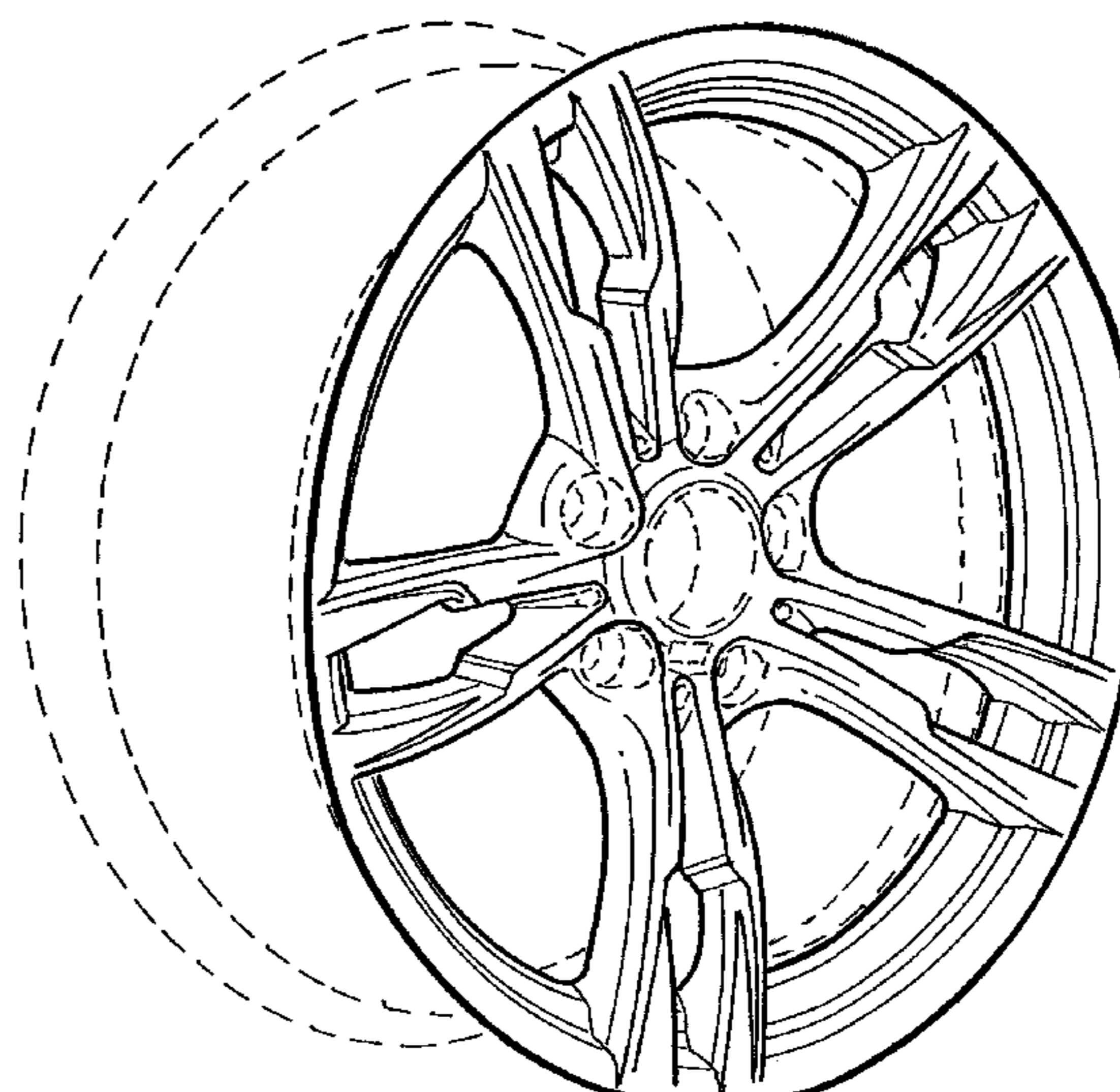
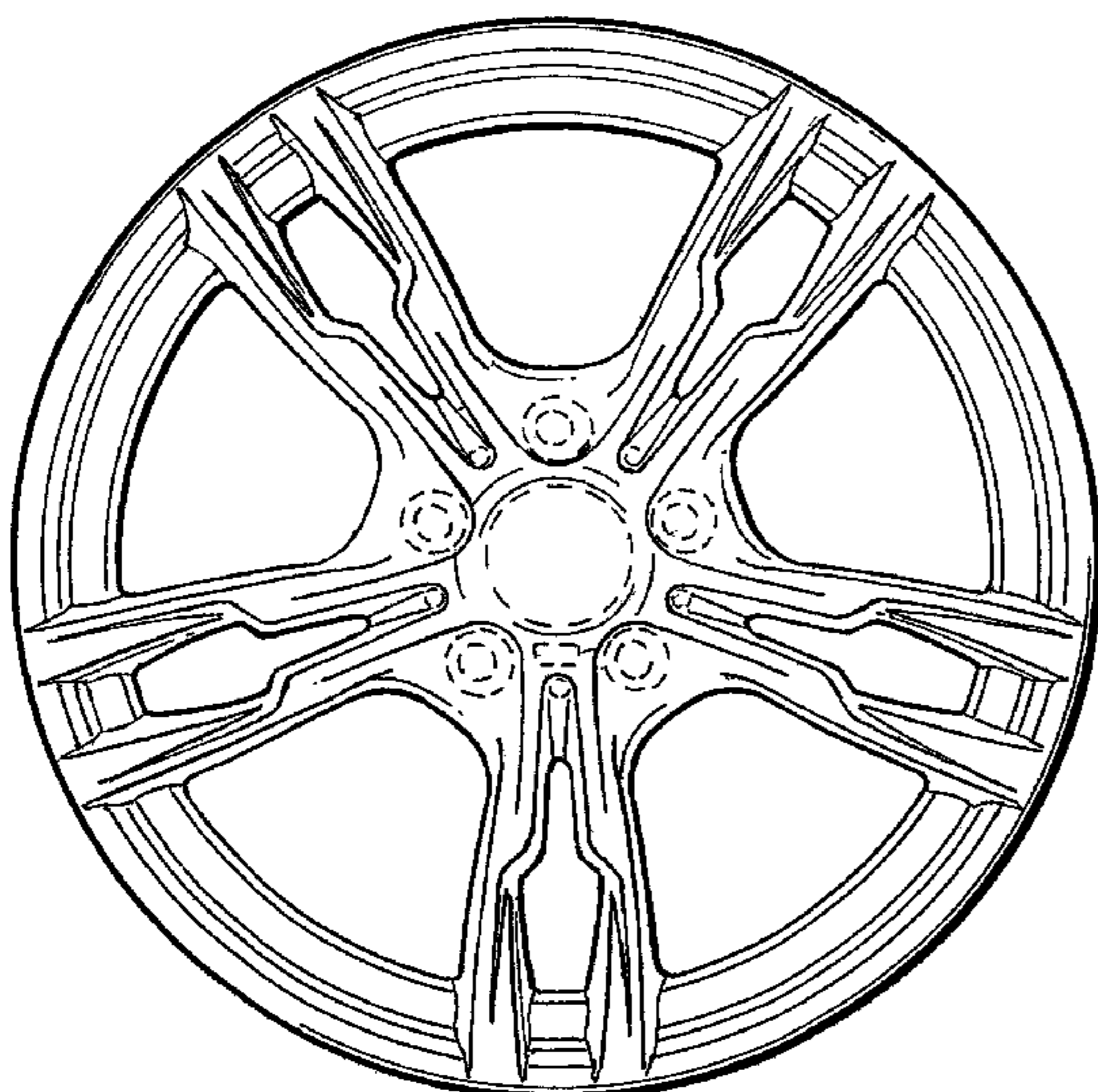
(57) **CLAIM**
The ornamental design for a wheel or wheel cover, as shown and described.

DESCRIPTION

FIG. 1 is a front view of a wheel or wheel cover according to the design; and,
FIG. 2 is a perspective view thereof.
The broken line showing of the rear of the wheel and the bolt holes and center opening in the central hub area is included for the purpose of illustrating environment and forms no part of the claimed design.

1 Claim, 1 Drawing Sheet

(56) **References Cited**
U.S. PATENT DOCUMENTS
D466,849 S * 12/2002 Lee D12/209
D515,491 S 2/2006 Elmitt
D590,314 S 4/2009 Hettler
D621,767 S * 8/2010 Ectors et al. D12/209
D627,700 S * 11/2010 Ectors et al. D12/209
D635,078 S 3/2011 Elmitt



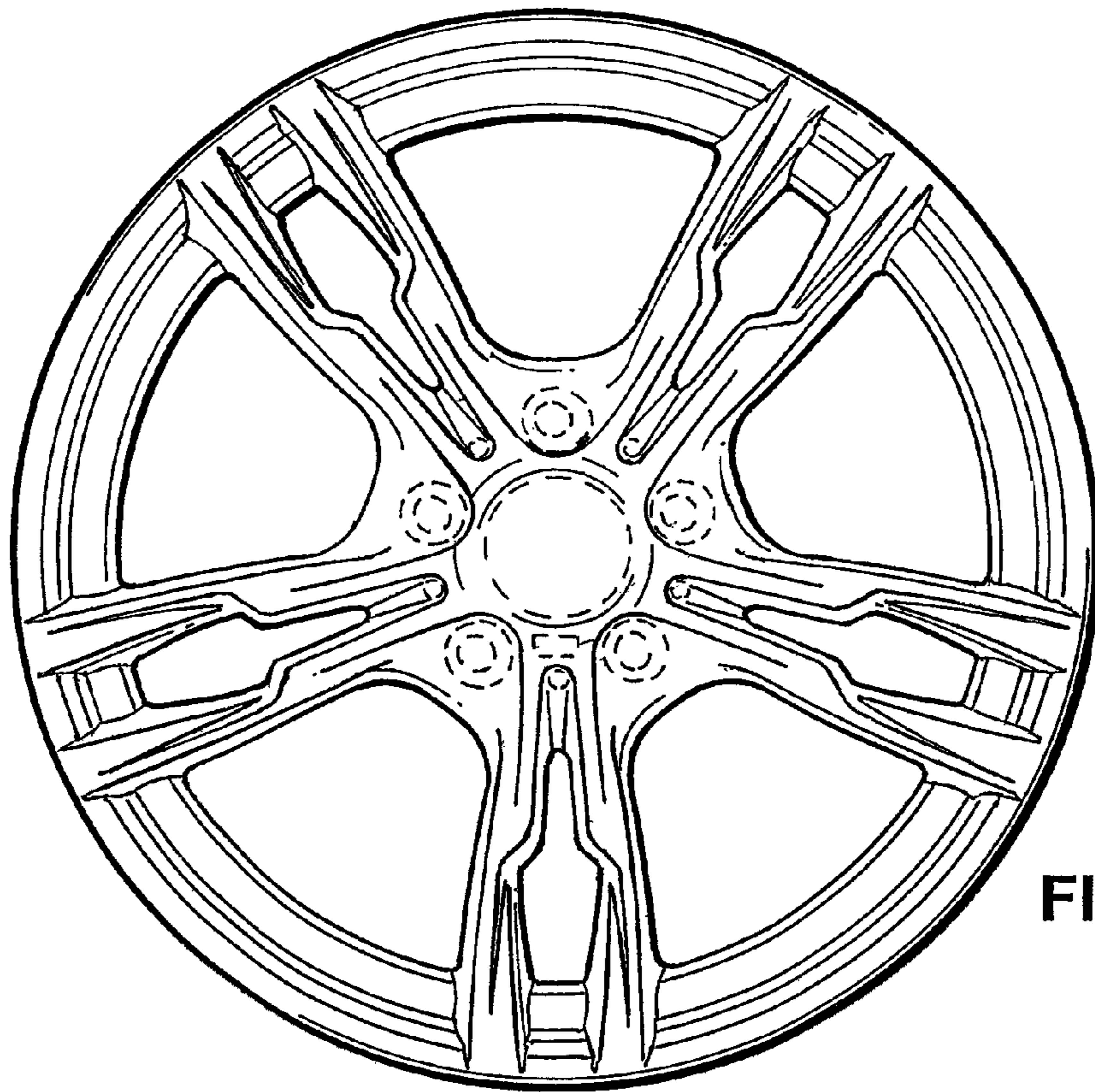


FIG. 1

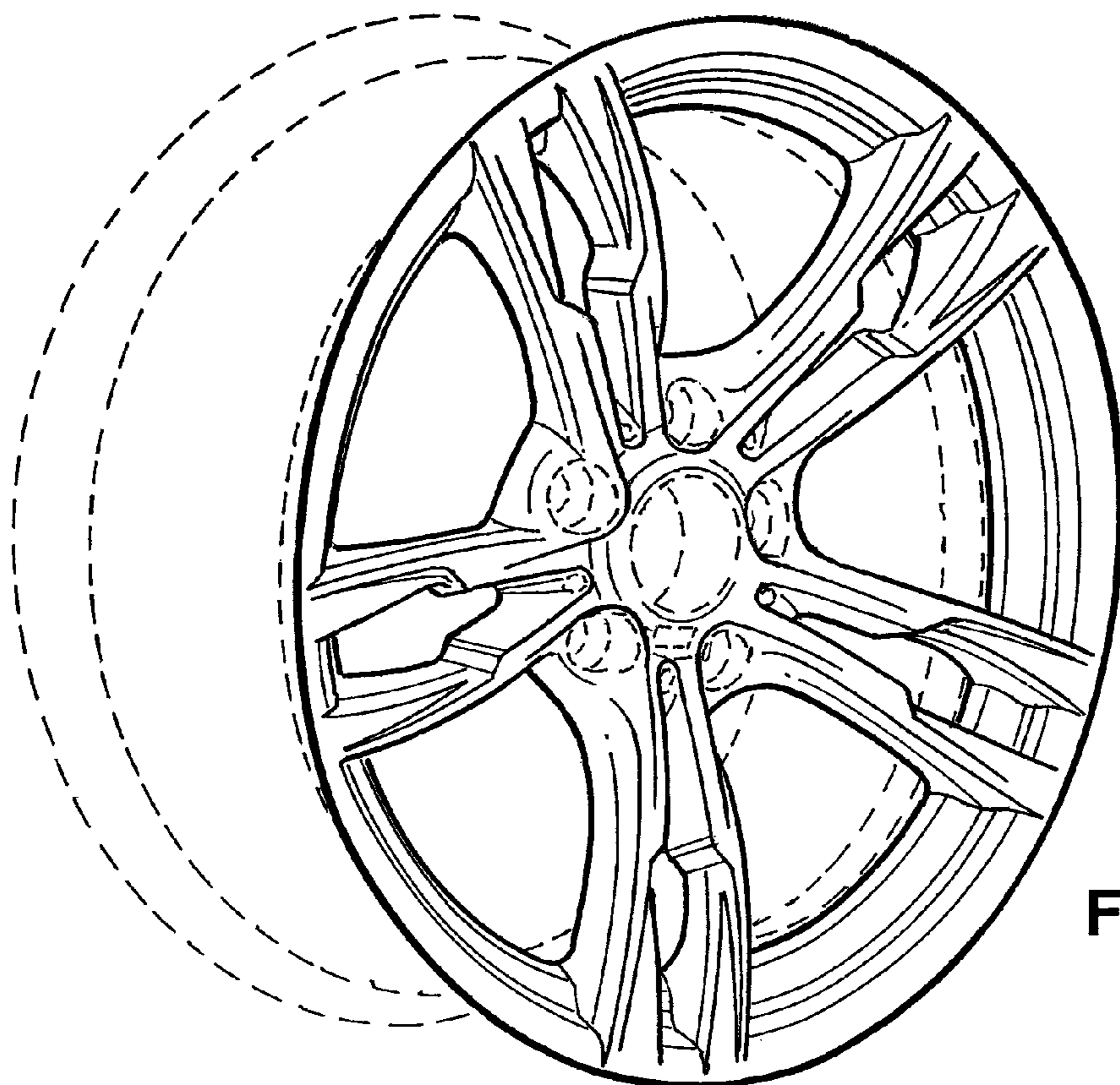


FIG. 2