



US00D686130S

(12) **United States Design Patent**
Elmitt

(10) **Patent No.:** **US D686,130 S**
(45) **Date of Patent:** **** Jul. 16, 2013**

(54) **WHEEL OR WHEEL COVER**
(71) Applicant: **Bayerische Motoren Werke**
Aktiengesellschaft, Munich (DE)
(72) Inventor: **Karl-Johann Elmitt, Eching (DE)**
(73) Assignee: **Bayerische Motoren Werke**
Aktiengesellschaft, Munich (DE)

(**) Term: **14 Years**
(21) Appl. No.: **29/440,083**
(22) Filed: **Dec. 19, 2012**

(30) **Foreign Application Priority Data**
Jun. 22, 2012 (DE) 40 2012 100 471
(51) **LOC (9) Cl.** **12-16**
(52) **U.S. Cl.**
USPC **D12/209**
(58) **Field of Classification Search**
USPC D12/204-213; 301/37.101, 64.101,
301/65, 64.201
See application file for complete search history.

(56) **References Cited**
U.S. PATENT DOCUMENTS
D466,849 S * 12/2002 Lee D12/209
D516,487 S 3/2006 Hettler
D522,949 S 6/2006 Elmitt
D567,167 S 4/2008 Forster
D573,083 S * 7/2008 Hetrick D12/211
D582,831 S * 12/2008 Musser D12/211
D621,771 S 8/2010 Truebsbach
D635,078 S 3/2011 Elmitt

D642,967 S * 8/2011 Lamm et al. D12/209
D643,794 S * 8/2011 Elmitt D12/211
D655,661 S * 3/2012 Truebsbach D12/211
D658,101 S 4/2012 Nissl
D660,217 S 5/2012 Nissl
D667,768 S 9/2012 Elmitt
D671,473 S * 11/2012 Zurian D12/209
D673,095 S * 12/2012 Behmer et al. D12/209

FOREIGN PATENT DOCUMENTS

EM 000273651-0002 3/2005
EM 000304274-0007 5/2005
EM 000735758-0006 7/2007
EM 001655861-0003 10/2010
EM 001908807-0003 8/2011
EM 001908807-0005 8/2011
EM 001754979-0001 11/2011
EM 001846346-0004 8/2012

* cited by examiner

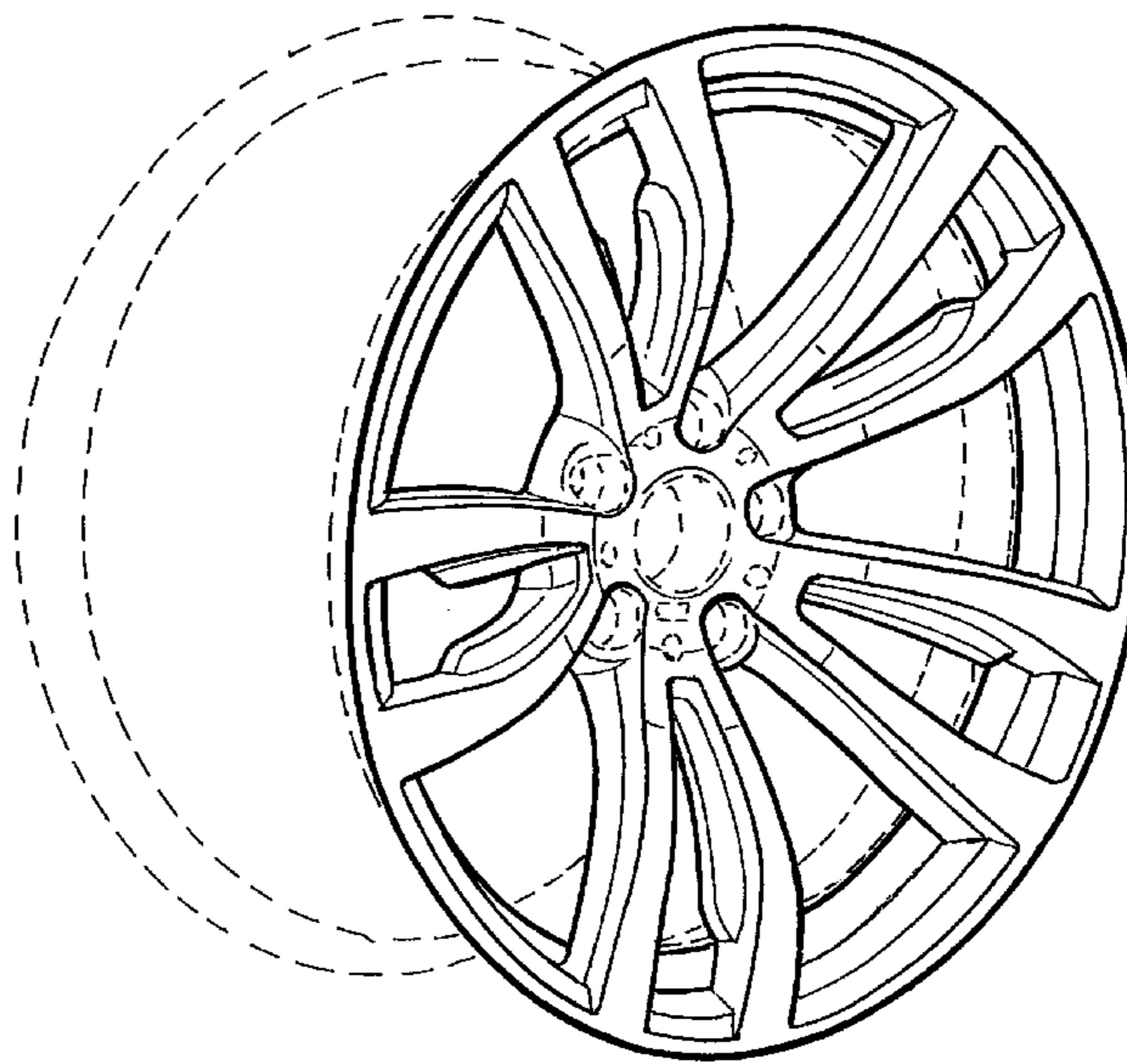
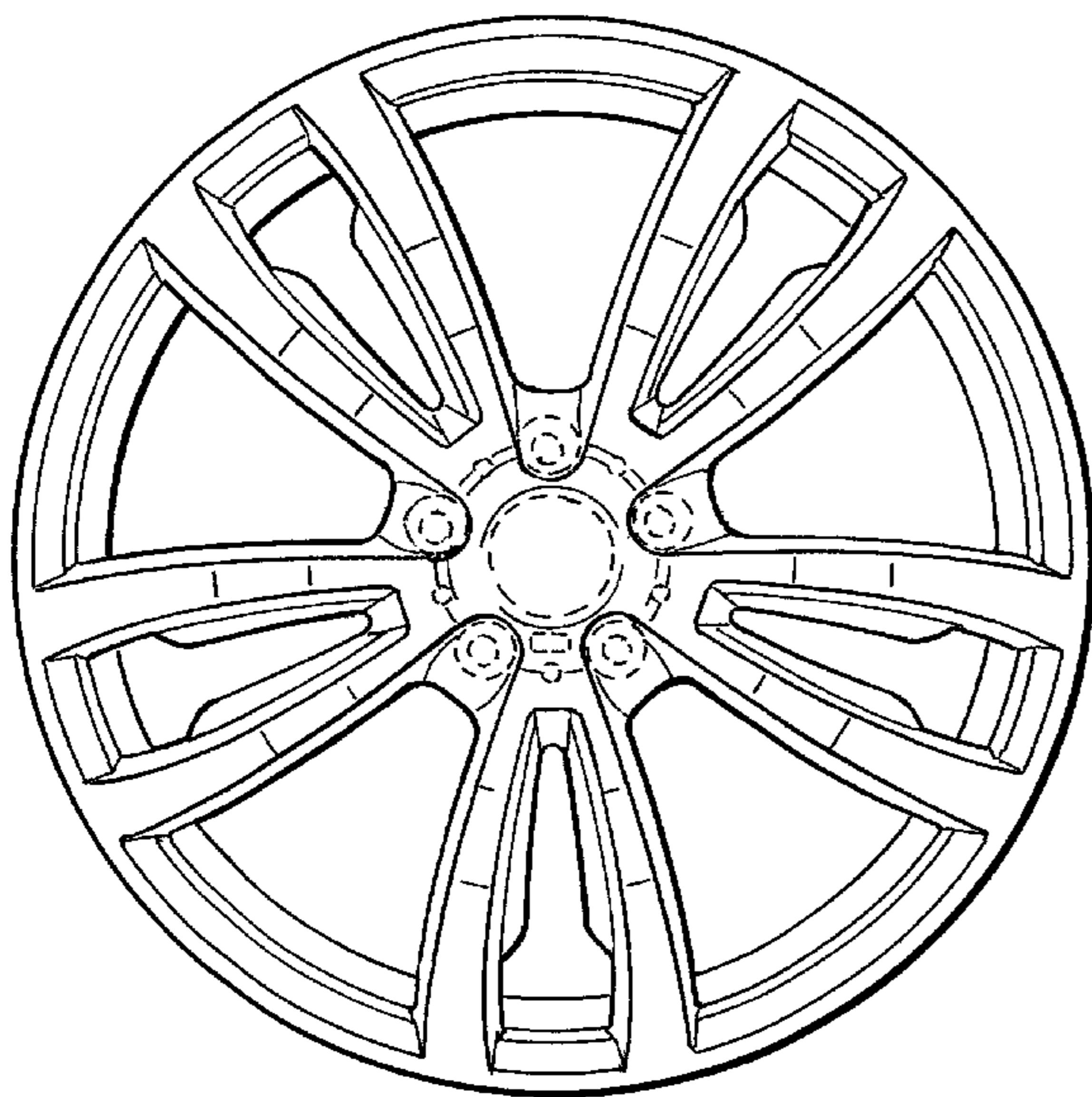
Primary Examiner — Stacia Cadmus
(74) *Attorney, Agent, or Firm* — Crowell & Moring LLP

(57) **CLAIM**
The ornamental design for a wheel or wheel cover, as shown and described.

DESCRIPTION

FIG. 1 is a front view of a wheel or wheel cover according to the design; and,
FIG. 2 is a perspective view thereof.
The broken line showing of the rear of the wheel and the bolt holes and center opening in the central hub area is included for the purpose of illustrating environment and forms no part of the claimed design.

1 Claim, 1 Drawing Sheet



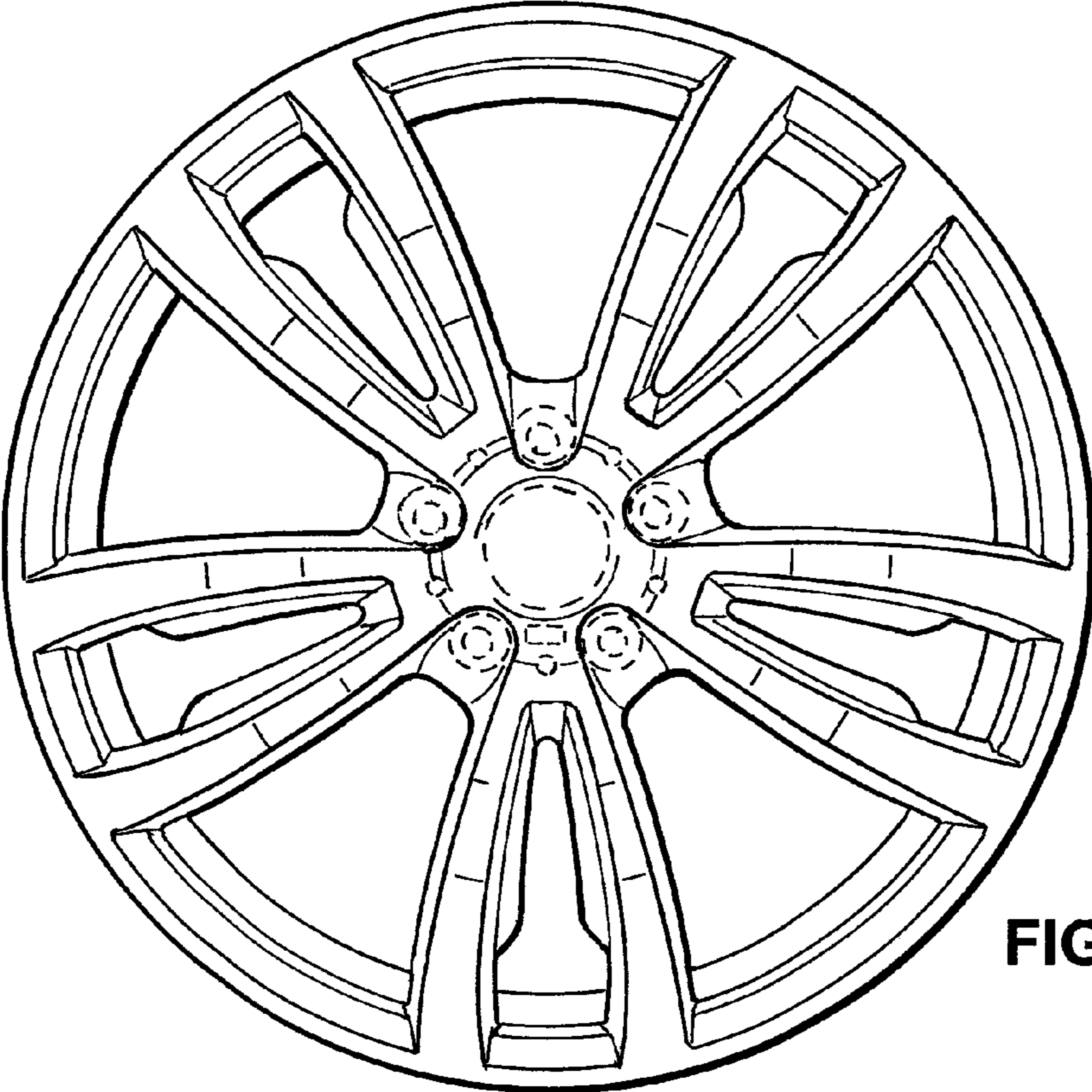


FIG. 1

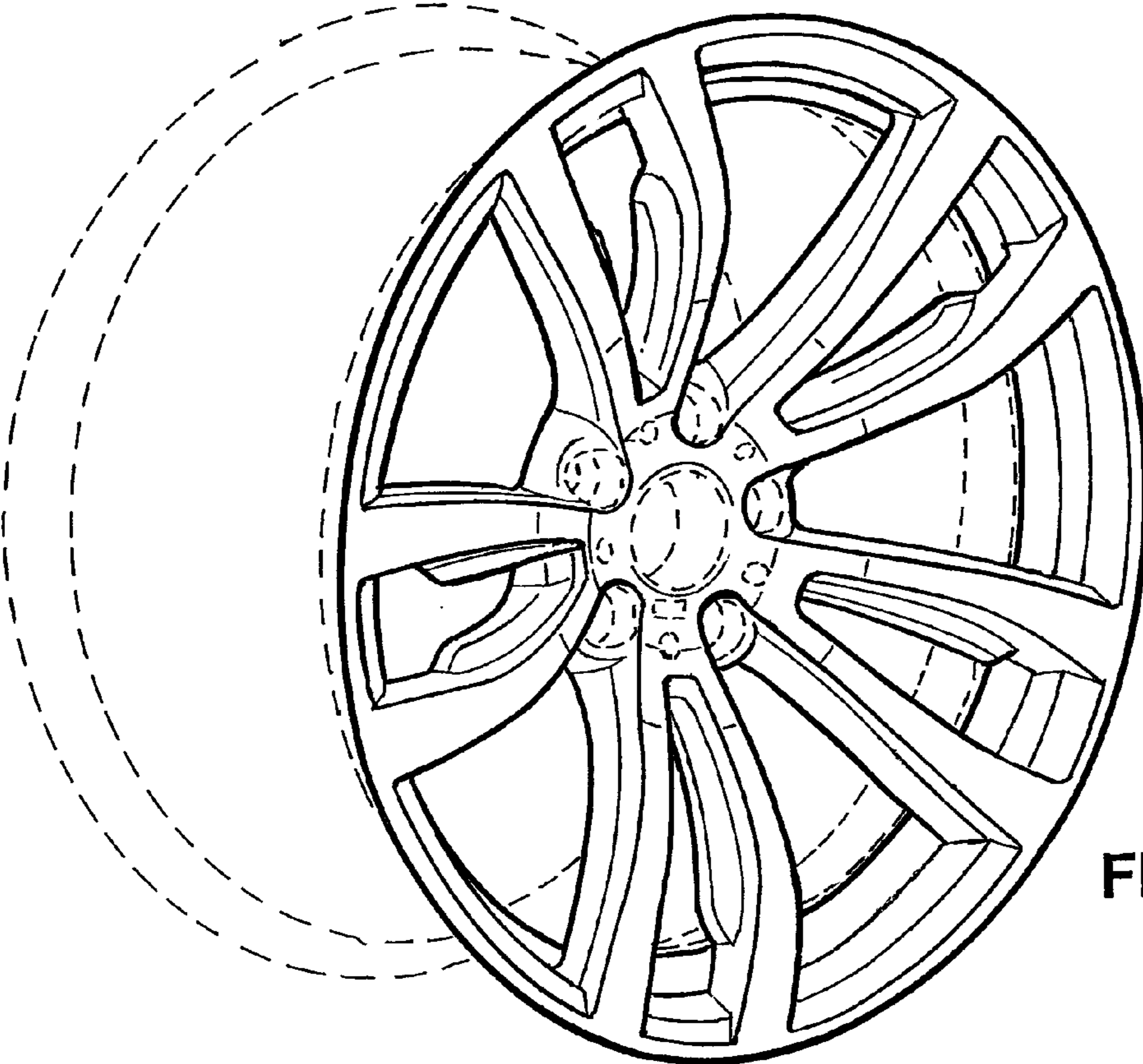


FIG. 2