



US00D686129S

(12) **United States Design Patent**
Juergens et al.

(10) **Patent No.:** **US D686,129 S**

(45) **Date of Patent:** **** Jul. 16, 2013**

(54) **WHEEL OR WHEEL COVER**

(71) Applicant: **Bayerische Motoren Werke
Aktiengesellschaft, Munich (DE)**

(72) Inventors: **Dirk Juergens, Munich (DE); Rainer
Mueller, Munich (DE)**

(73) Assignee: **Bayerische Motoren Werke
Aktiengesellschaft, Munich (DE)**

(**) Term: **14 Years**

(21) Appl. No.: **29/440,082**

(22) Filed: **Dec. 19, 2012**

(30) **Foreign Application Priority Data**

Jun. 22, 2012 (DE) 40 2012 100 471

(51) **LOC (9) Cl.** **12-16**

(52) **U.S. Cl.**
USPC **D12/209**

(58) **Field of Classification Search**
USPC D12/204-213; 301/37.101, 64.101,
301/65, 64.201
See application file for complete search history.

(56) **References Cited**

U.S. PATENT DOCUMENTS

D407,364 S	3/1999	Fisker	
D466,849 S *	12/2002	Lee	D12/209
D472,866 S *	4/2003	Pfeiffer et al.	D12/211
D500,276 S *	12/2004	Cheng	D12/209
D516,487 S	3/2006	Hettler	
D519,906 S *	5/2006	Long	D12/209
D528,958 S *	9/2006	Kim	D12/209
D569,320 S *	5/2008	Cortes	D12/209
D621,767 S *	8/2010	Ectors et al.	D12/209
D623,108 S *	9/2010	Spoerle	D12/209
D627,700 S *	11/2010	Ectors et al.	D12/209

D635,078 S *	3/2011	Elmitt	D12/209
D642,967 S *	8/2011	Lamm et al.	D12/209
D644,155 S	8/2011	Truebsbach	
D645,389 S	9/2011	Nissl	
D654,841 S	2/2012	Mueller-Stolz et al.	
D655,661 S	3/2012	Truebsbach	
D658,101 S	4/2012	Nissl	
D660,217 S *	5/2012	Nissl	D12/209
D667,768 S	9/2012	Elmitt	
D671,473 S *	11/2012	Zurian	D12/209
D675,554 S	2/2013	Nissl	

FOREIGN PATENT DOCUMENTS

DE	M9701285.8	6/1997
EM	000255609-0004	2/2005
EM	000304274-0007	5/2005
EM	001636978-0020	11/2010
EM	001908807-0003	8/2011
EM	001754979-0001	11/2011
EM	001804675-0005	11/2011
EM	001804675-0008	11/2011
EM	001804709-0003	11/2011
EM	001846346-0002	8/2012
EM	001846346-0004	8/2012

* cited by examiner

Primary Examiner — Stacia Cadmus

(74) *Attorney, Agent, or Firm* — Crowell & Moring LLP

(57) **CLAIM**

The ornamental design for a wheel or wheel cover, as shown and described.

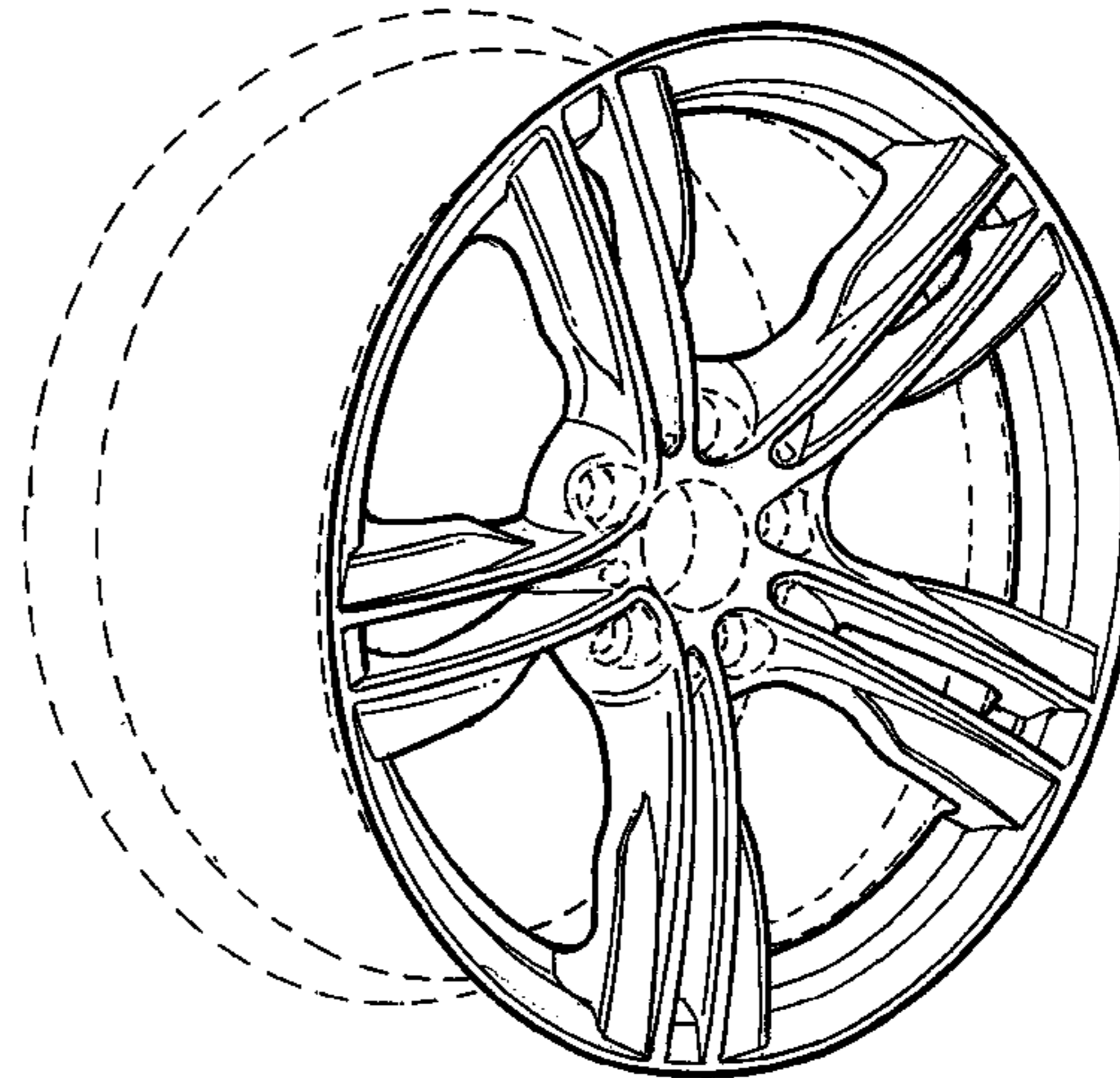
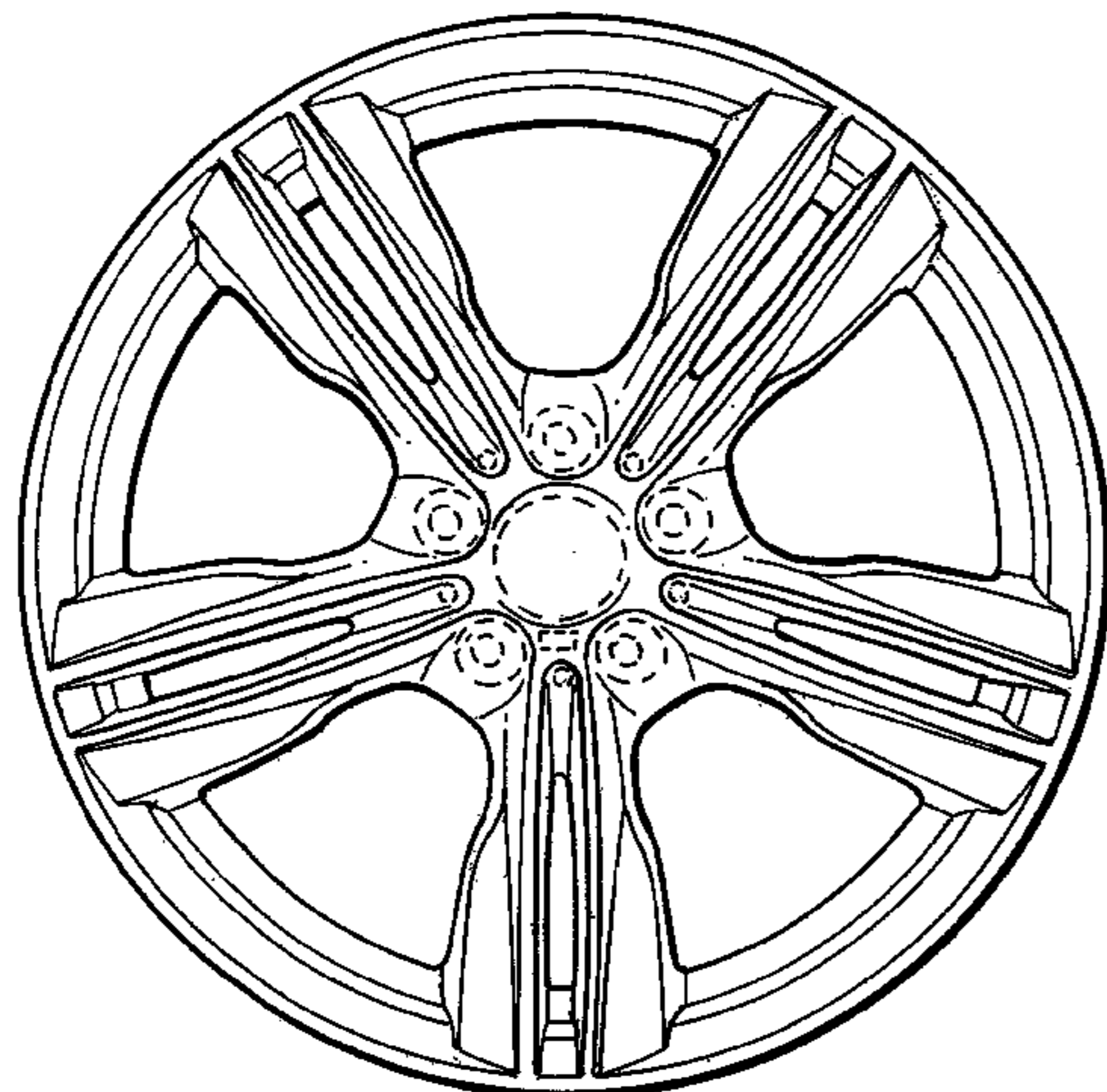
DESCRIPTION

FIG. 1 is a front view of a wheel or wheel cover according to the design; and,

FIG. 2 is a perspective view thereof.

The broken line showing of the rear of the wheel and the bolt holes and center opening in the central hub area is included for the purpose of illustrating environment and forms no part of the claimed design.

1 Claim, 1 Drawing Sheet



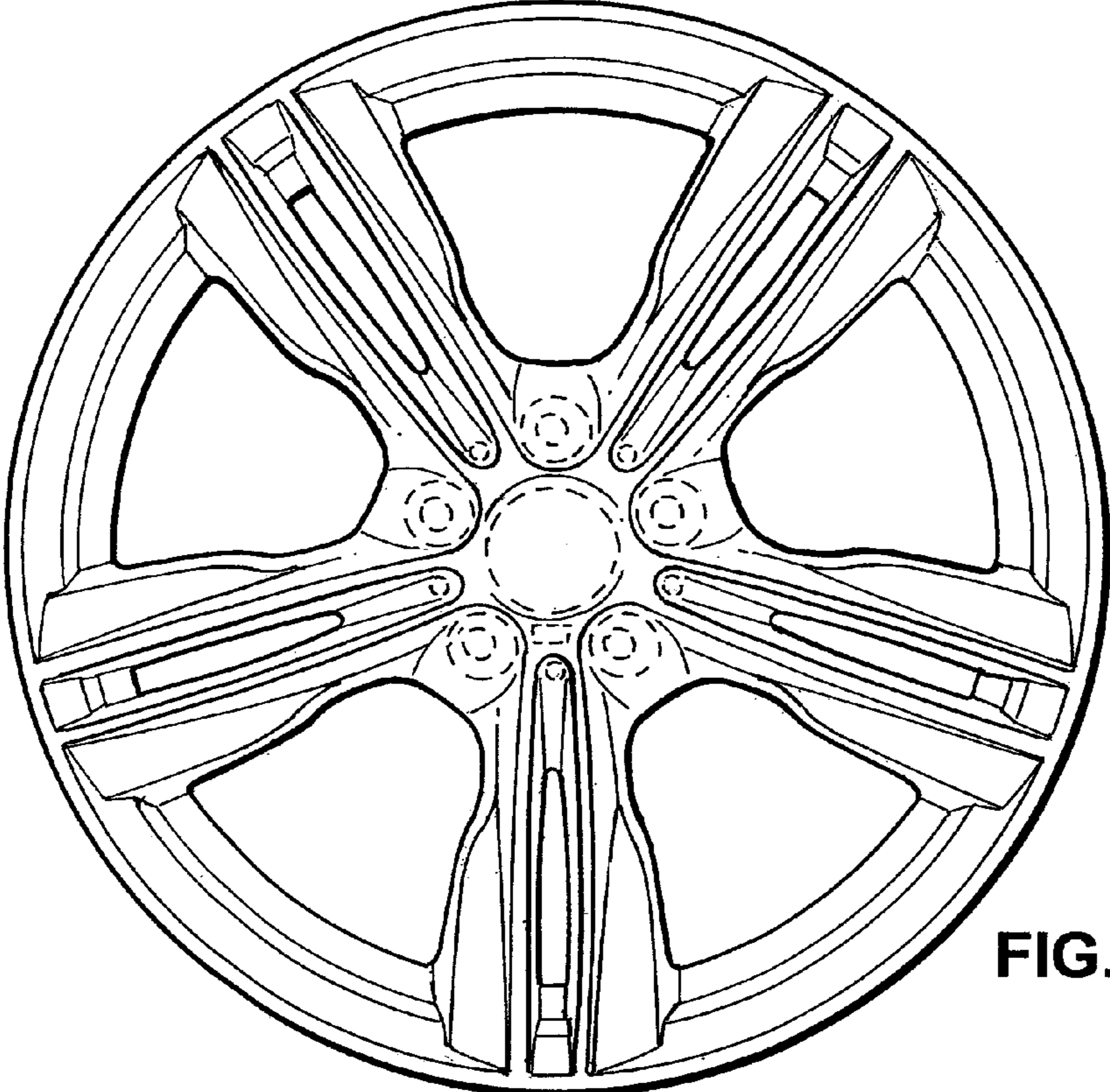


FIG. 1

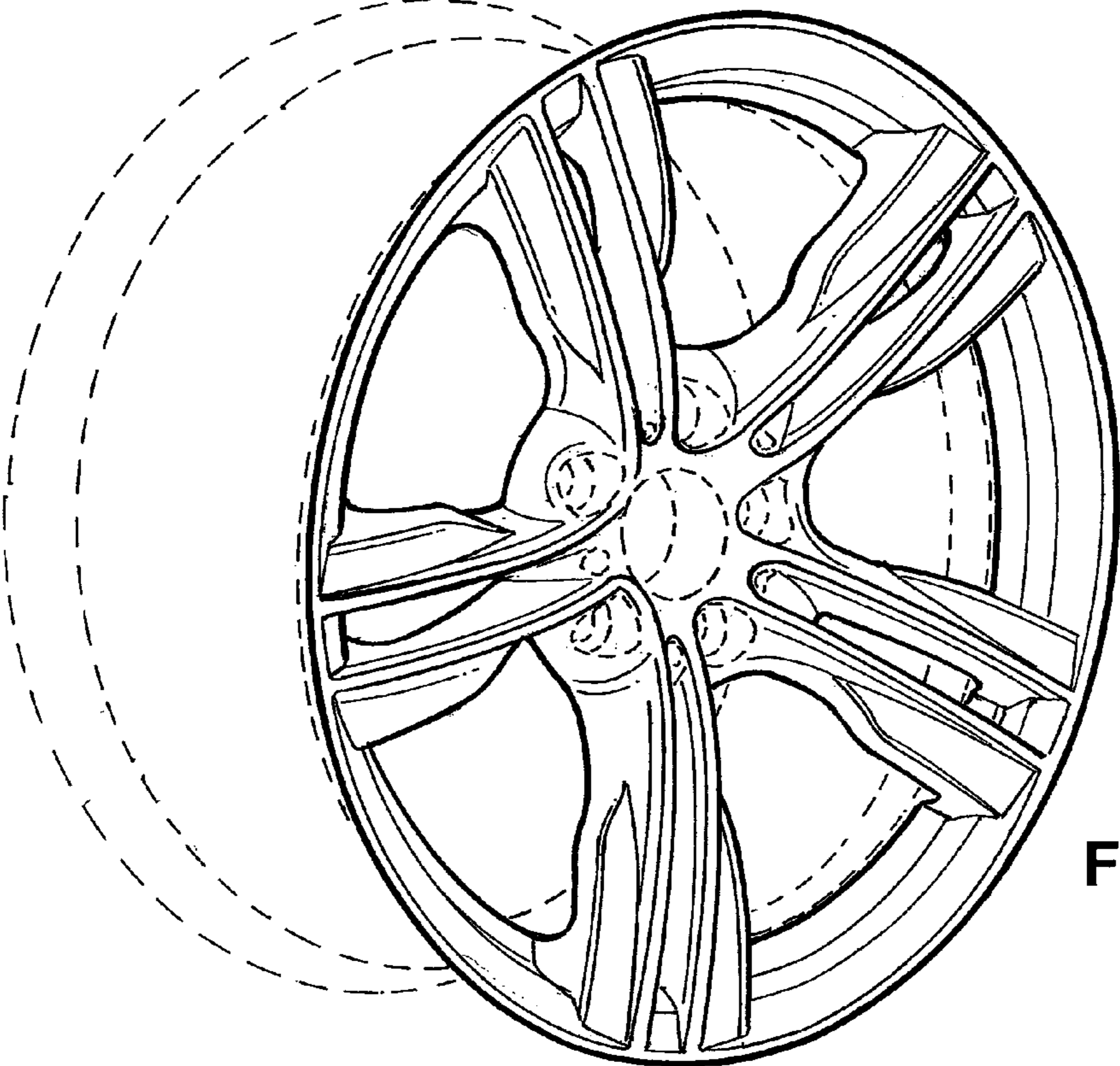


FIG. 2