



US00D686127S

(12) **United States Design Patent**
Munson et al.

(10) **Patent No.:** **US D686,127 S**
(45) **Date of Patent:** **** Jul. 16, 2013**

(54) **VEHICLE DECKLID**

(75) Inventors: **Robert J. Munson**, Rochester Hills, MI
(US); **U Yong Choi**, Bloomfield
Township, MI (US)

(73) Assignee: **GM Global Technology Operations**
LLC, Detroit, MI (US)

(**) Term: **14 Years**

(21) Appl. No.: **29/409,584**

(22) Filed: **Dec. 26, 2011**

(51) **LOC (9) Cl.** **12-16**

(52) **U.S. Cl.**
USPC **D12/196**

(58) **Field of Classification Search**
USPC D12/196, 90-92, 86; 296/181.1,
296/181.5

See application file for complete search history.

(56) **References Cited**

U.S. PATENT DOCUMENTS

D581,336	S	*	11/2008	Gabath et al.	D12/196
D589,860	S	*	4/2009	Osborne et al.	D12/196
D596,546	S	*	7/2009	Habib	D12/196
D606,920	S	*	12/2009	Leone	D12/196
D620,860	S	*	8/2010	Froehlich	D12/196

* cited by examiner

Primary Examiner — Melody N Brown

(74) *Attorney, Agent, or Firm* — Parks IP Law LLC; Mickki D. Murray

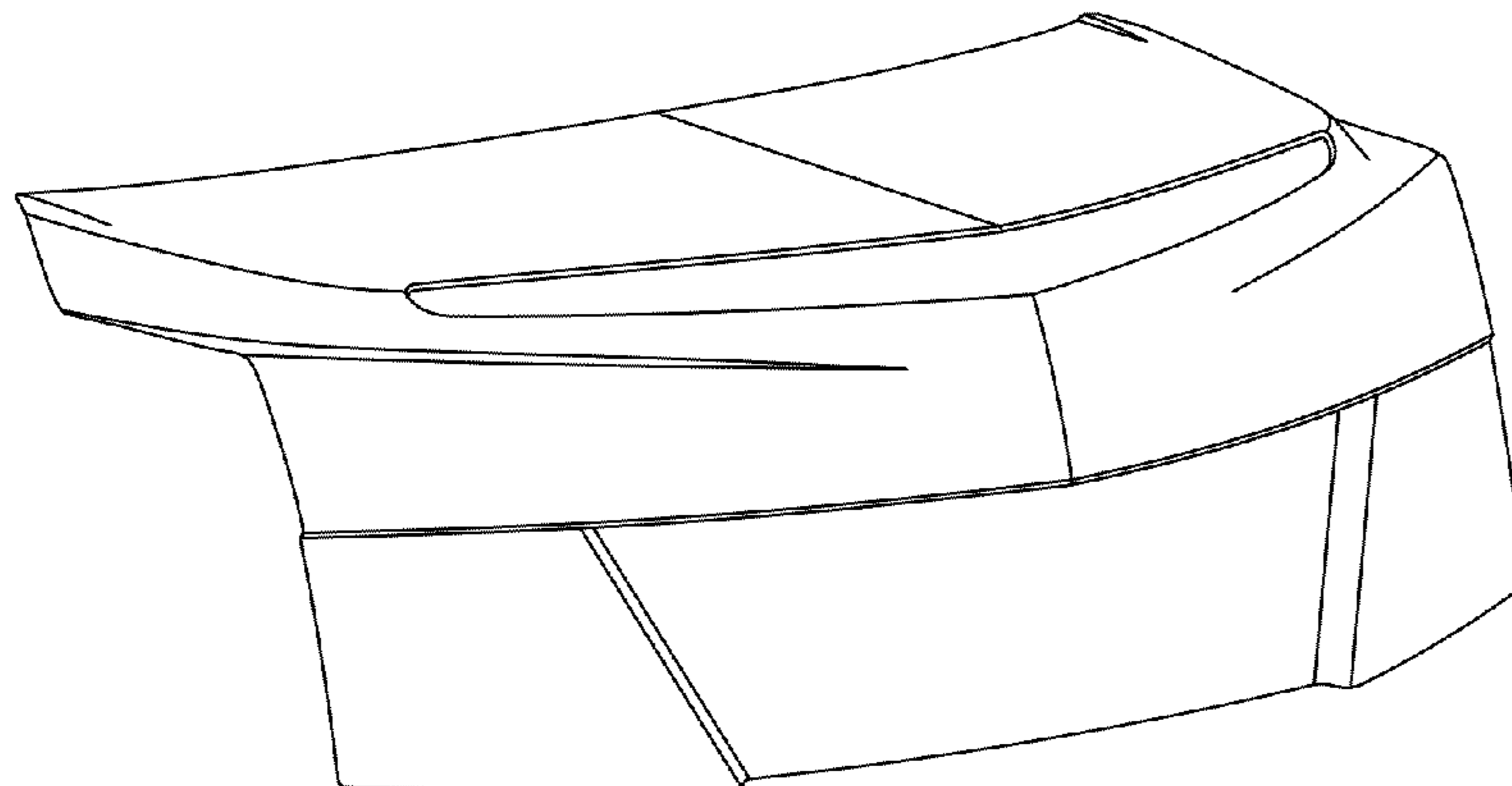
(57) **CLAIM**

The ornamental design for a vehicle decklid, as shown and described.

DESCRIPTION

FIG. 1 is perspective view of a vehicle decklid showing the new design;
FIG. 2 is a front view, thereof;
FIG. 3 is a top view, thereof; and,
FIG. 4 is a side view, thereof.

1 Claim, 1 Drawing Sheet



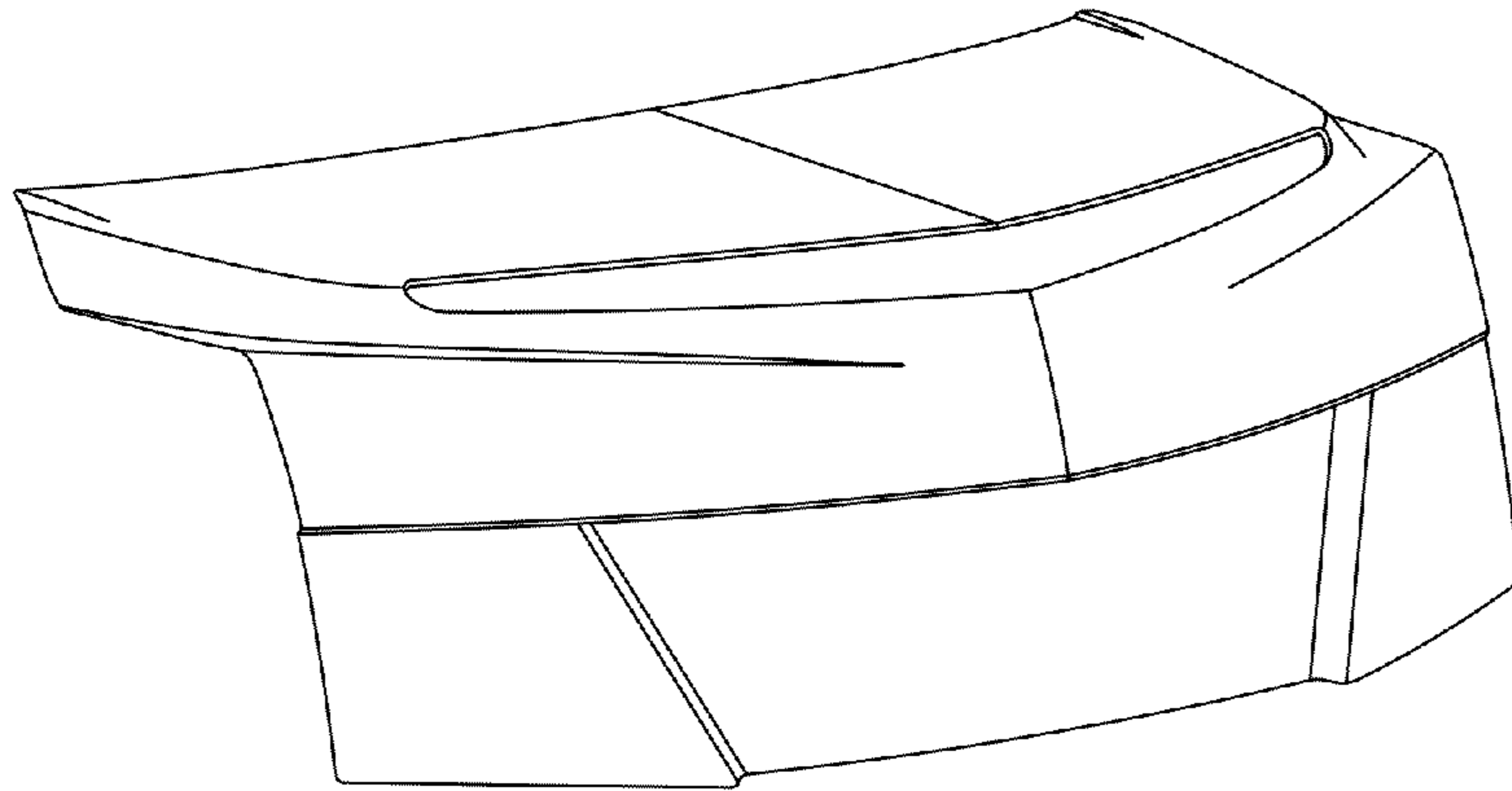


Fig-1

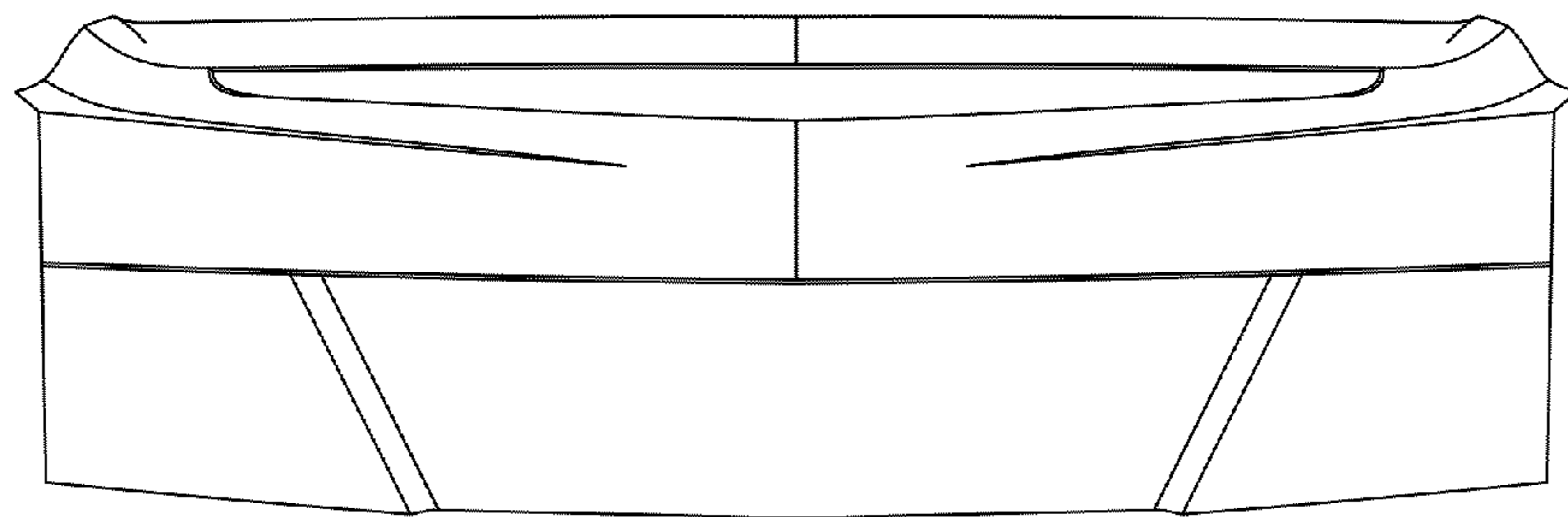


Fig-2

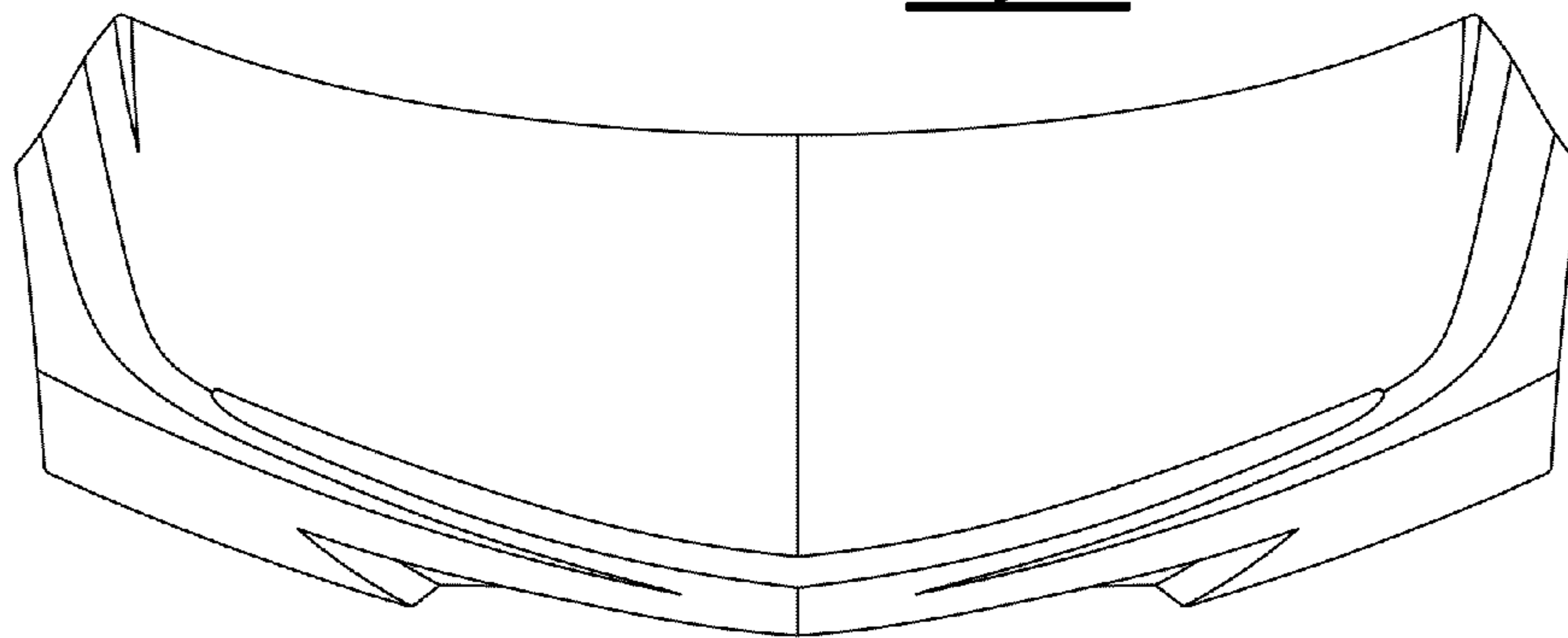


Fig-3

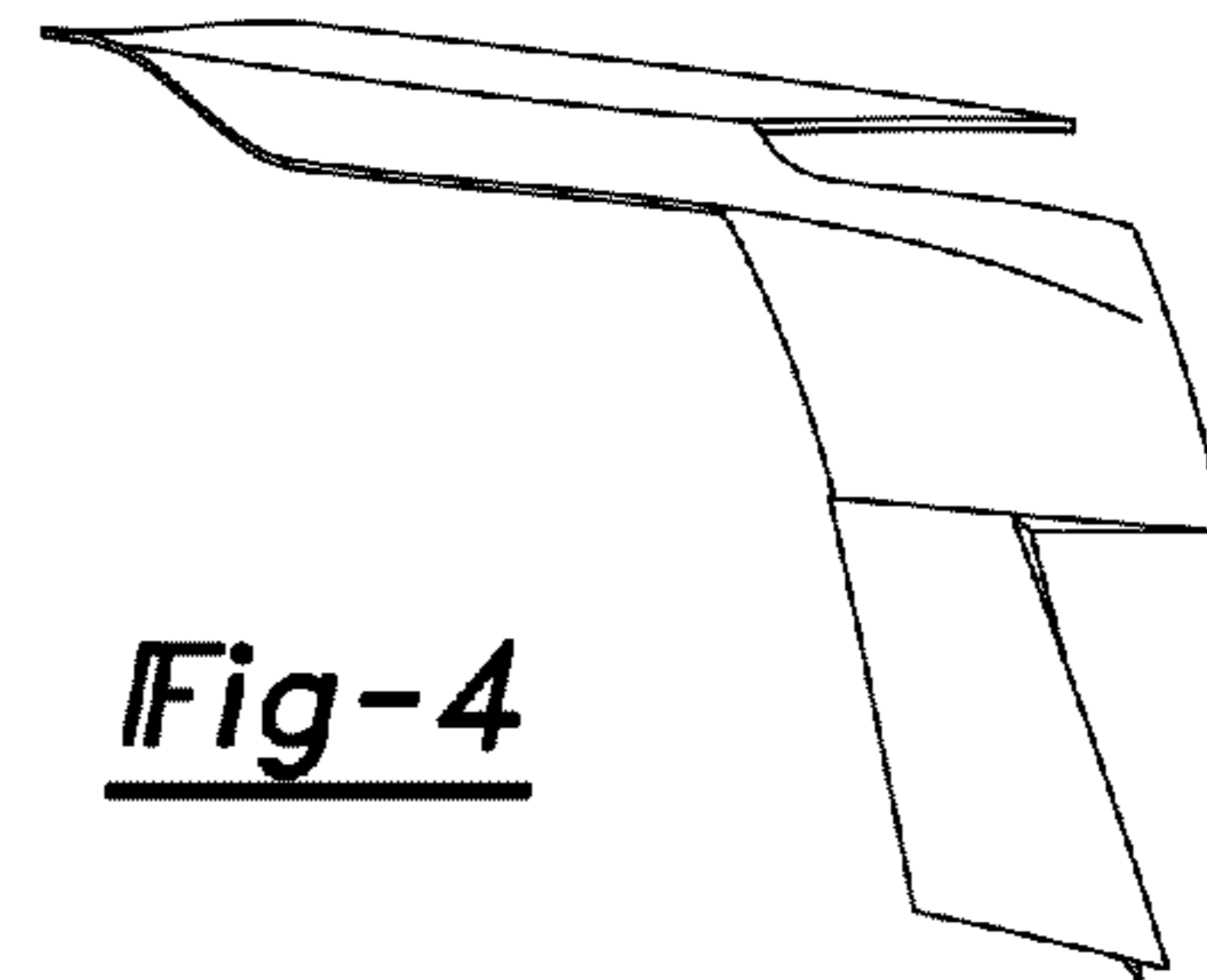


Fig-4