



US00D686126S

(12) **United States Design Patent**
Balicki et al.

(10) **Patent No.:** **US D686,126 S**
(45) **Date of Patent:** **** Jul. 16, 2013**

(54) **SIDE VIEW MIRROR COVER**

D636,308 S * 4/2011 Reimchen et al. D12/187

* cited by examiner

(75) Inventors: **Brian D. Balicki**, Kernersville, NC
(US); **Mathew Heinecke**, Kernersville,
NC (US); **Ian Anderson**, Greensboro,
NC (US)

Primary Examiner — Katrina A Betton
(74) *Attorney, Agent, or Firm* — Martin Farrell; Michael
Pruden

(73) Assignee: **Volvo Group North America, LLC**,
Greensboro, NC (US)

(57) **CLAIM**
The ornamental design of a side view mirror cover, as shown
and described herein.

(**) Term: **14 Years**

DESCRIPTION

(21) Appl. No.: **29/393,890**

FIG. 1 is a front view of a left hand embodiment of a side view
mirror cover showing our new design;
FIG. 2 is a left side view thereof;
FIG. 3 is a rear view thereof;
FIG. 4 is a right side view thereof;
FIG. 5 is a top side view thereof;
FIG. 6 is a bottom view thereof;
FIG. 7 is a front view of a right hand embodiment of a side
view mirror cover of our new design;
FIG. 8 is a left side view thereof;
FIG. 9 is a rear view thereof;
FIG. 10 is a right side view thereof;
FIG. 11 is a top view thereof;
FIG. 12 is a bottom view thereof; and,
FIG. 13 is a perspective view of the left hand embodiment (on
the right side of the figure) and right hand embodiment of a
side view mirror cover of our design shown in its environment
on a truck.

(22) Filed: **Jun. 10, 2011**

(51) **LOC (9) Cl.** **12-16**

(52) **U.S. Cl.**
USPC **D12/187**

(58) **Field of Classification Search**
USPC ... D12/187, 188–189; D6/300, 309; 359/838,
359/841, 842, 843, 844, 868, 871, 604, 881,
359/514, 866; 248/479–483, 475.1
See application file for complete search history.

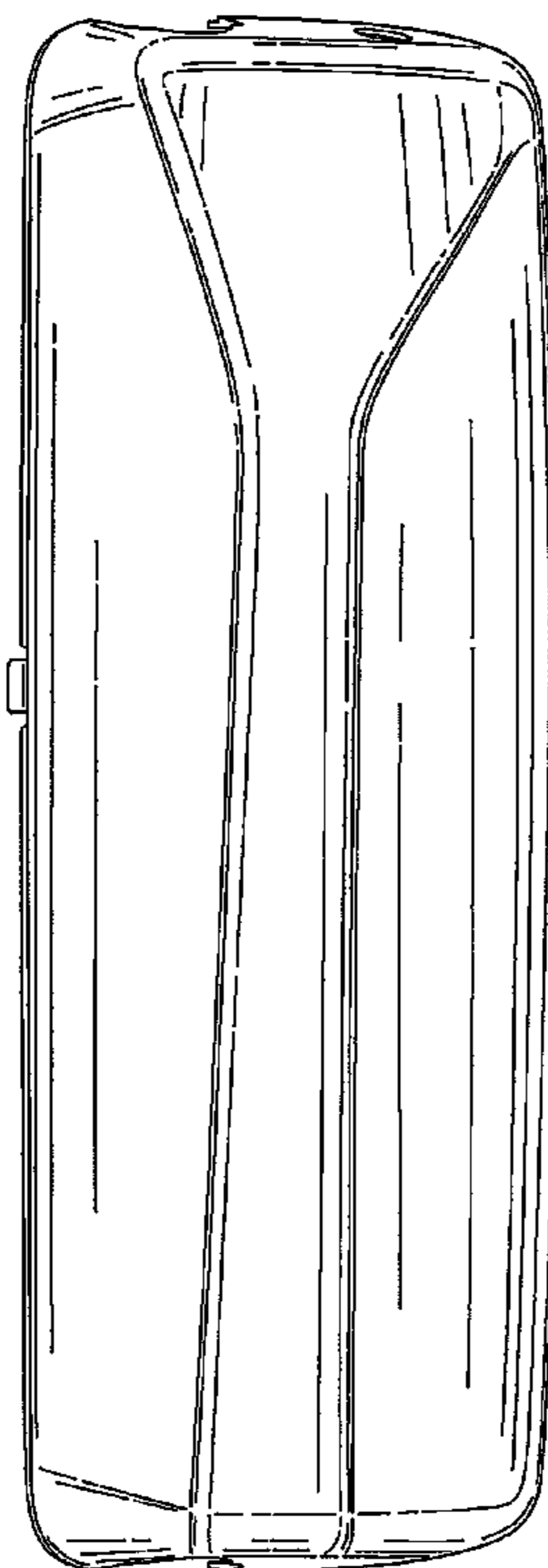
(56) **References Cited**

U.S. PATENT DOCUMENTS

D575,708 S *	8/2008	Courbon et al.	D12/187
D578,942 S *	10/2008	Courbon et al.	D12/187
D610,060 S *	2/2010	Meier et al.	D12/187
D610,513 S *	2/2010	Meier et al.	D12/187
7,856,693 B1 *	12/2010	Johnson	15/250.003

In the drawings, the broken lines depict environmental sub-
ject matter only and form no part of the claimed design.

1 Claim, 11 Drawing Sheets



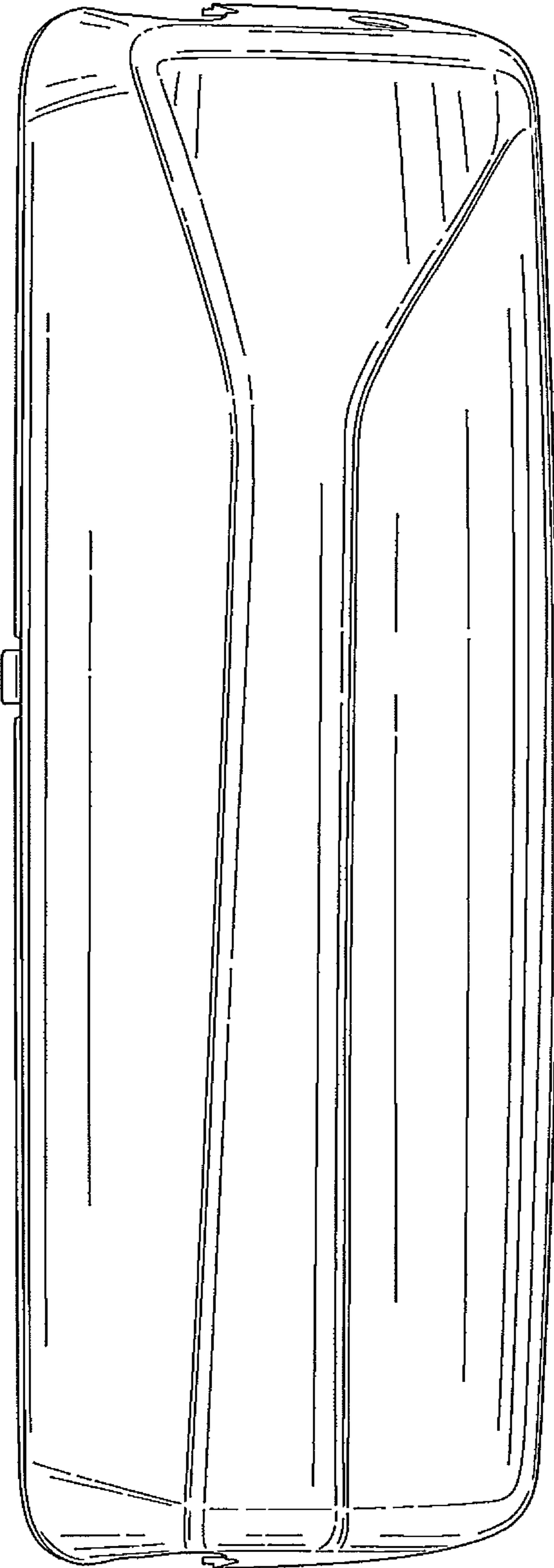


FIG. 1

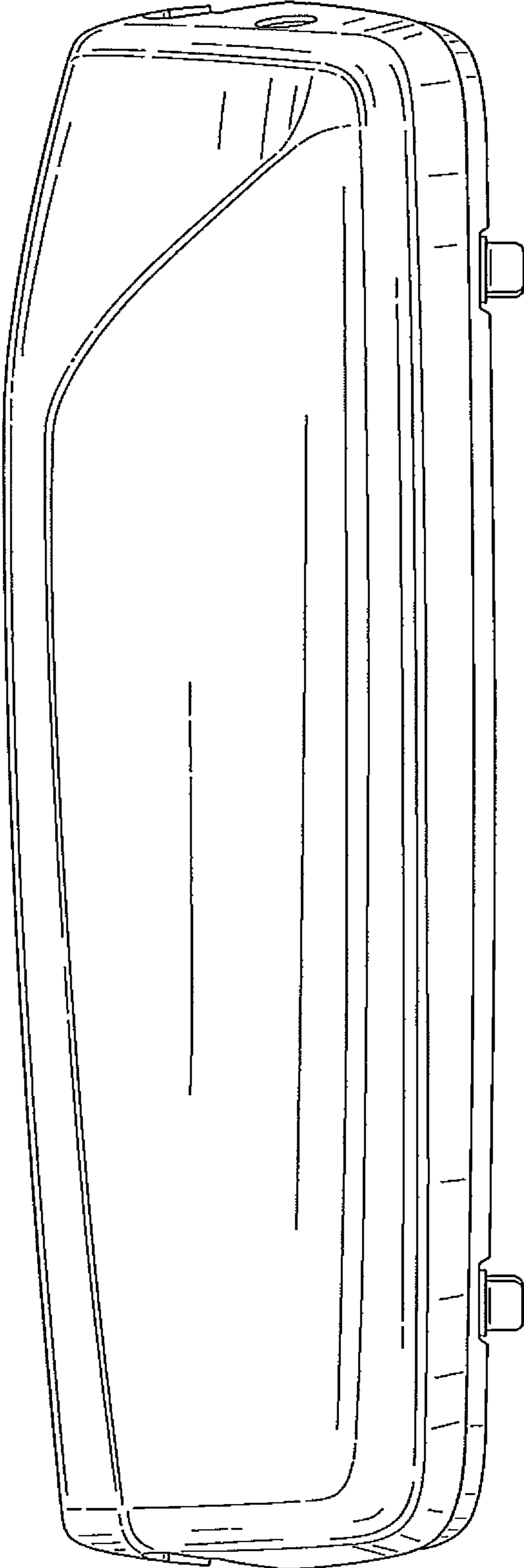


FIG. 2

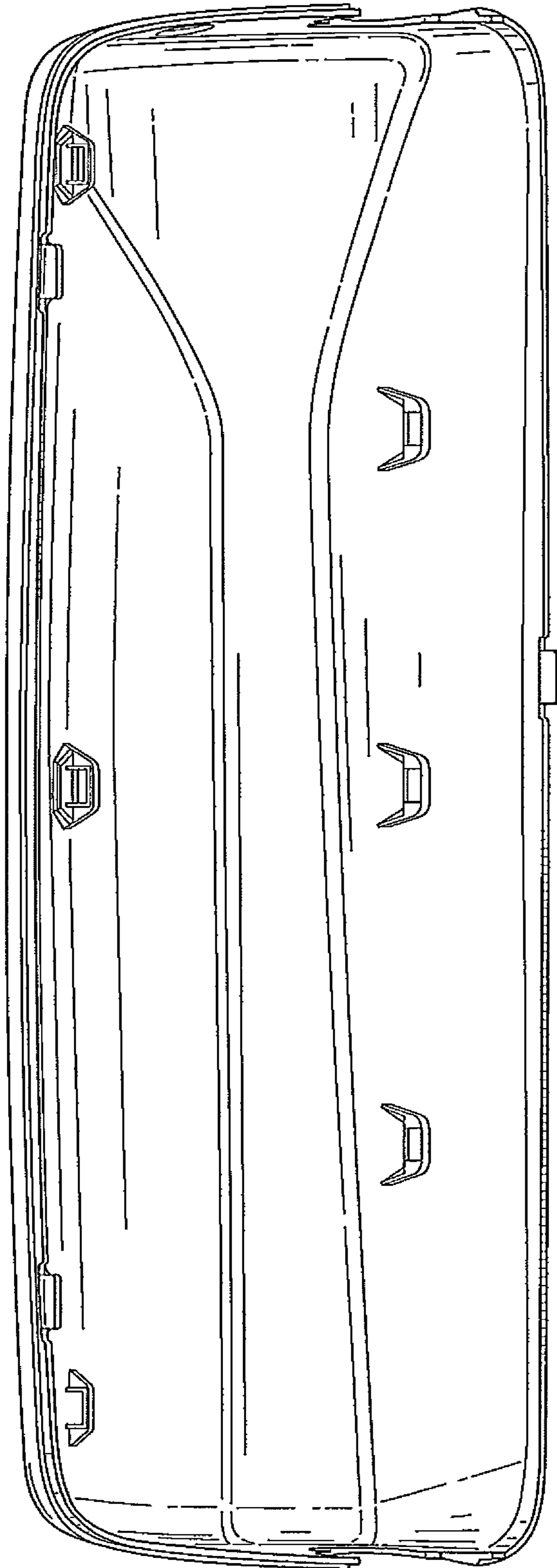


FIG. 3

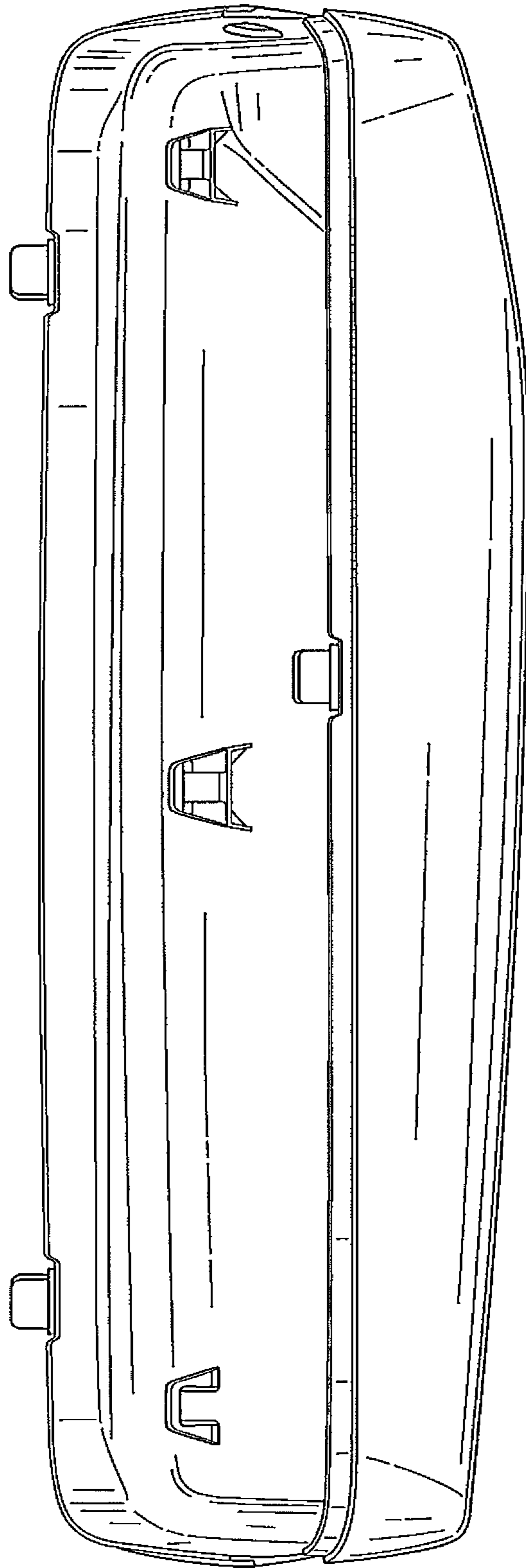


FIG. 4

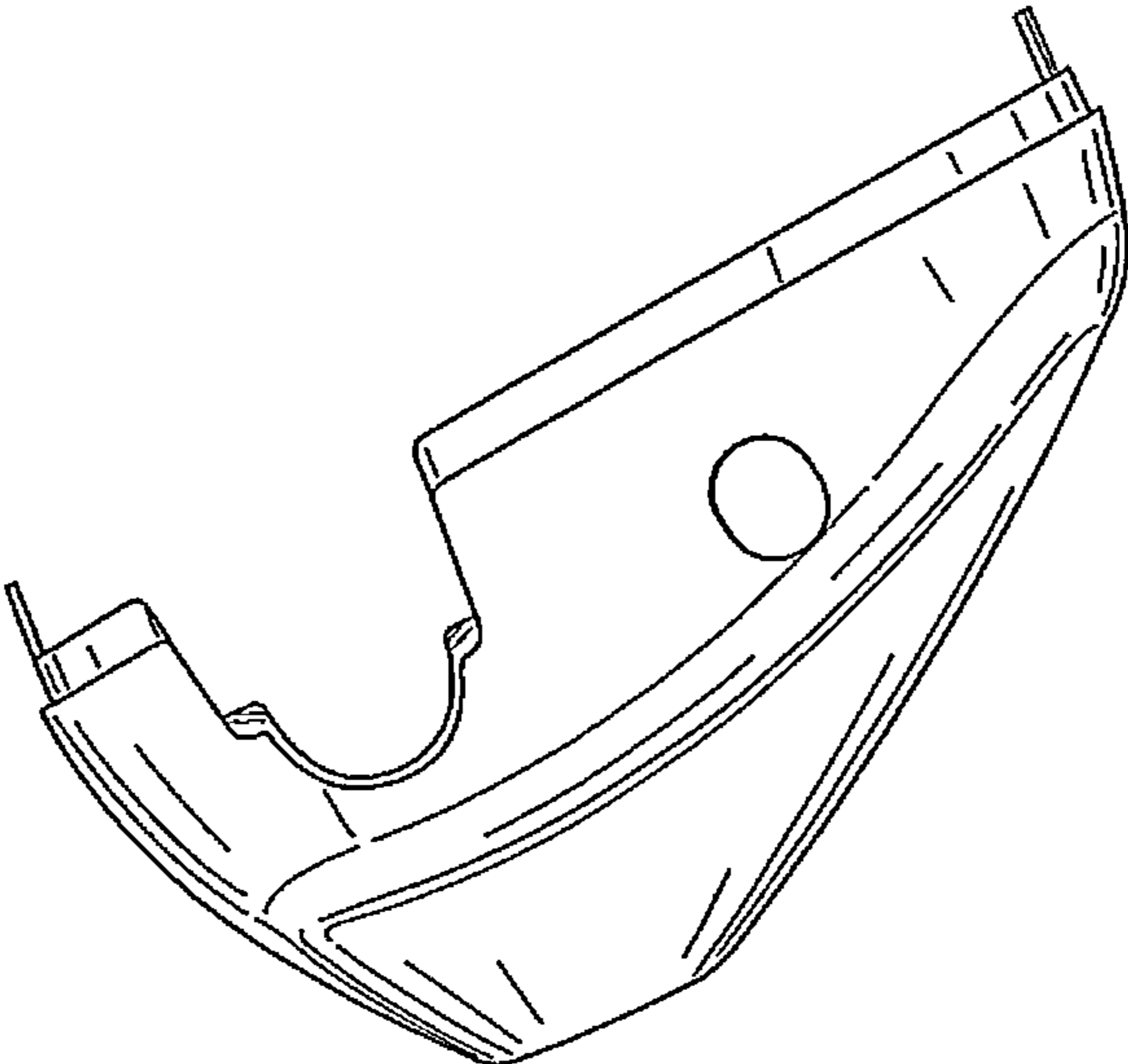


FIG. 5

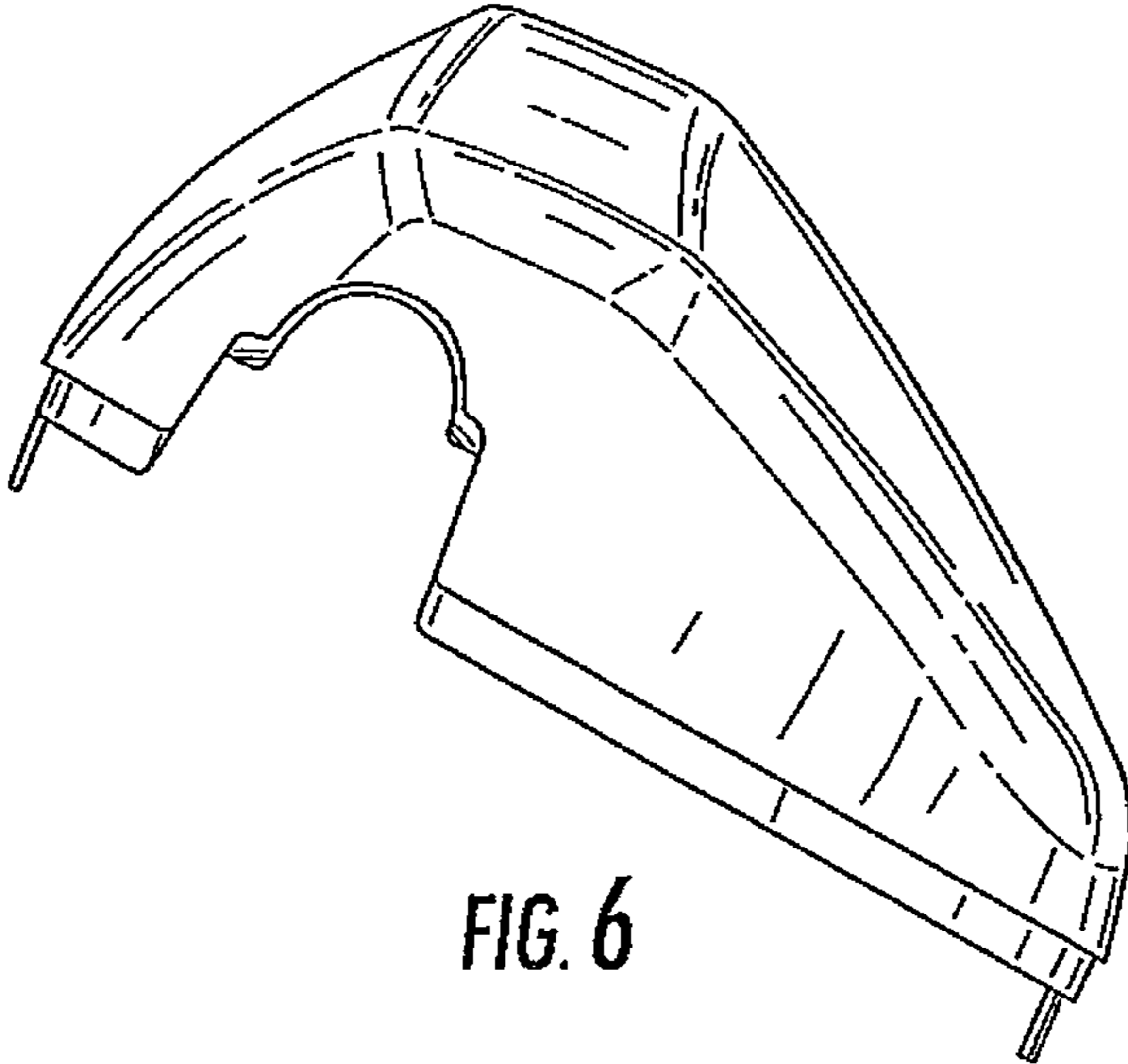


FIG. 6

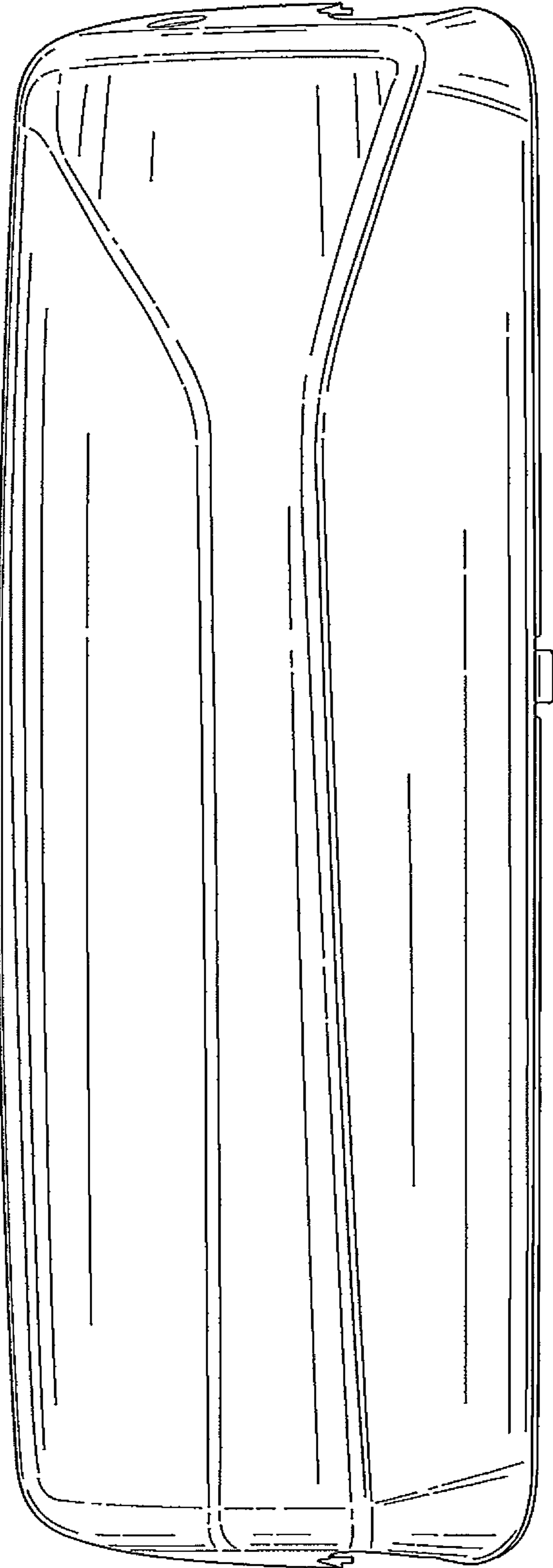


FIG. 7

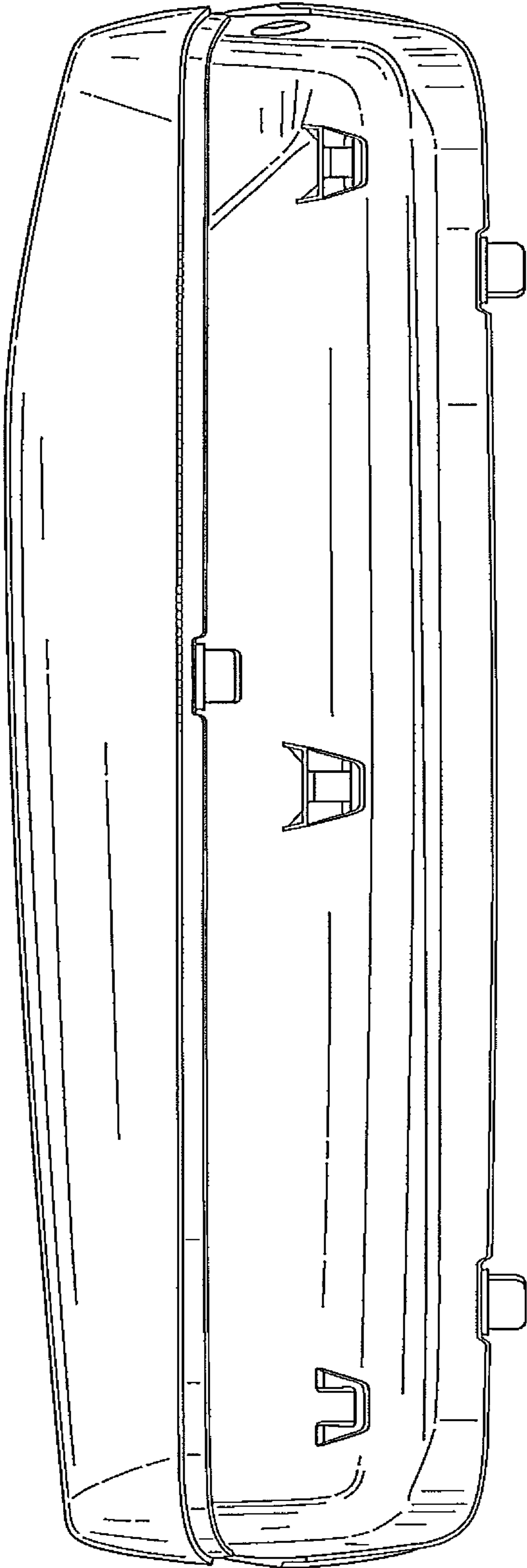


FIG. 8

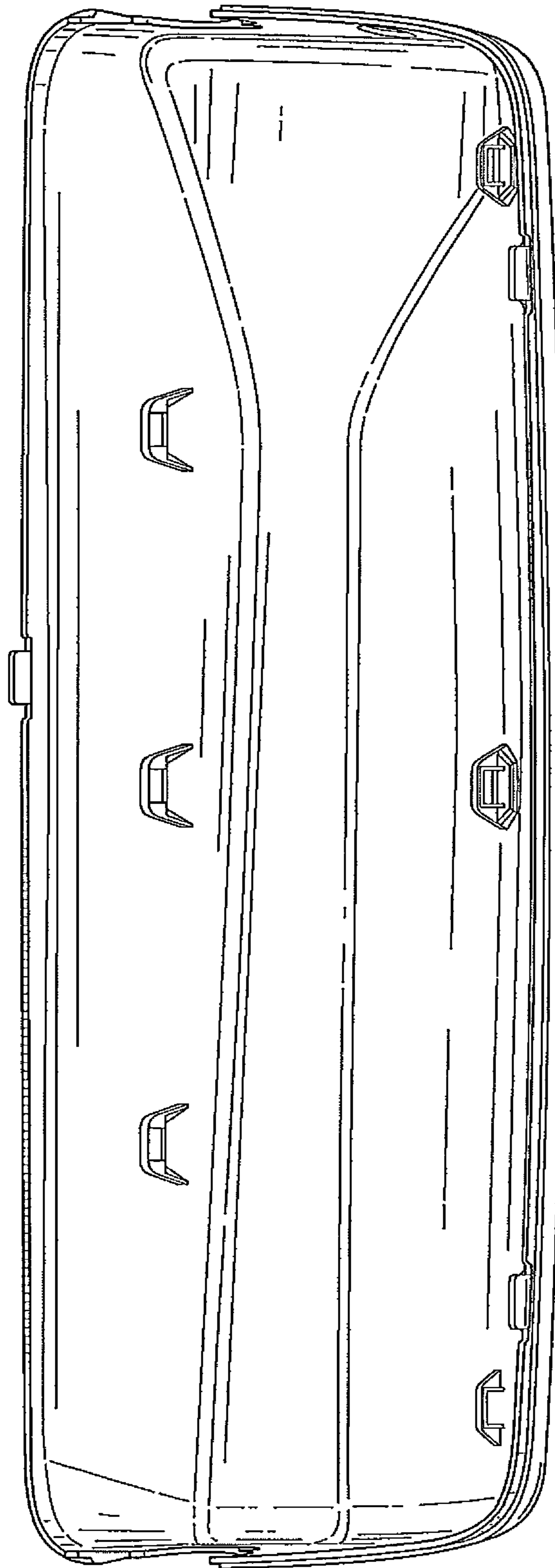


FIG. 9

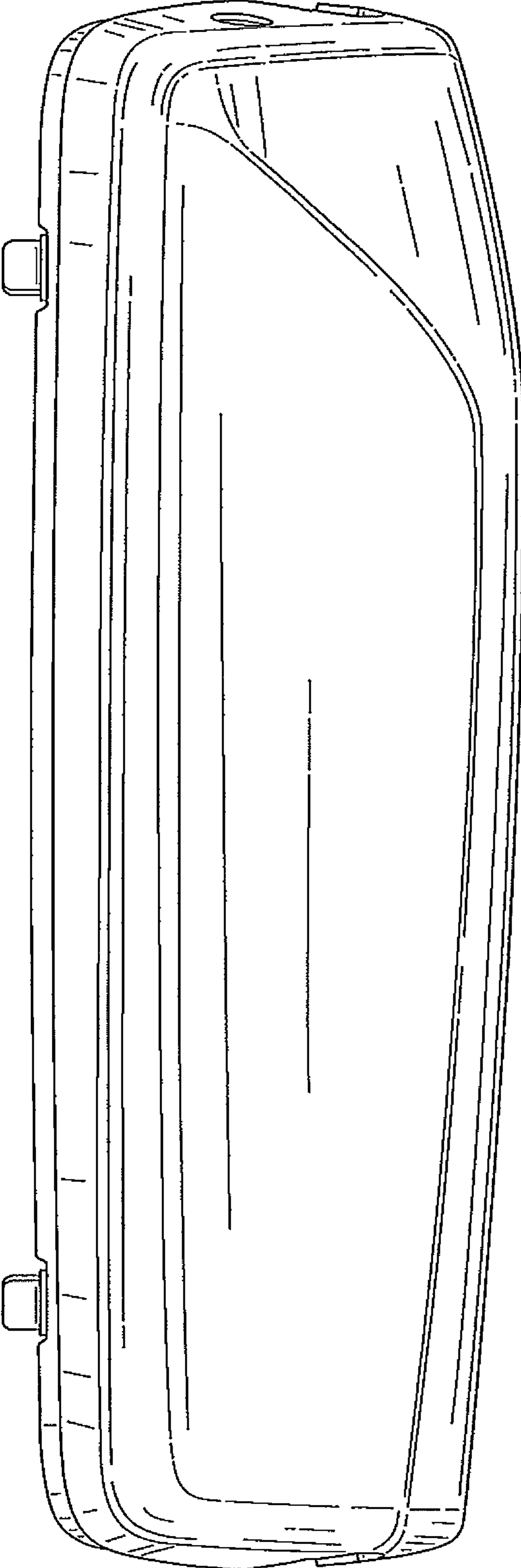


FIG. 10

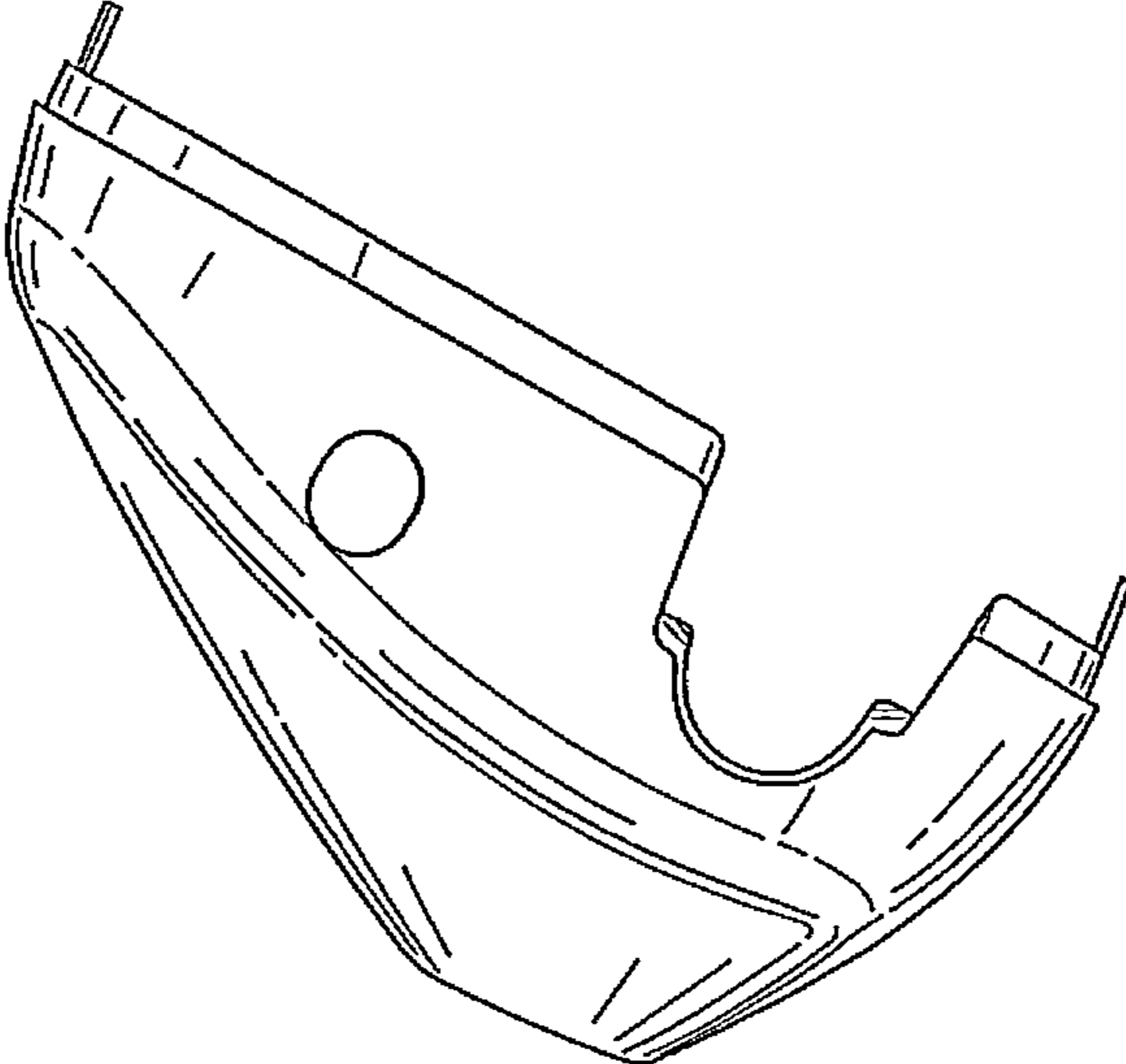


FIG. 11

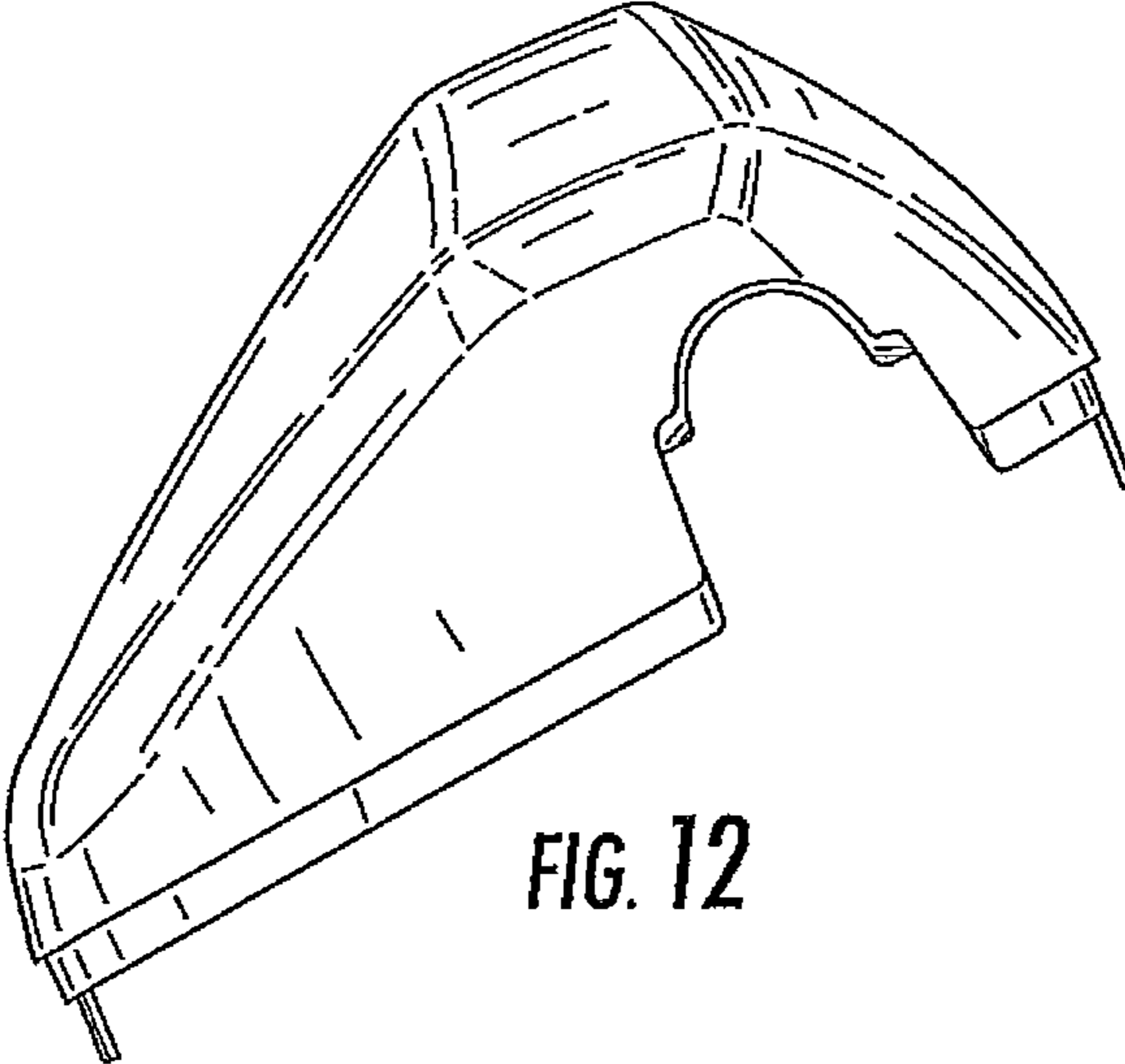


FIG. 12

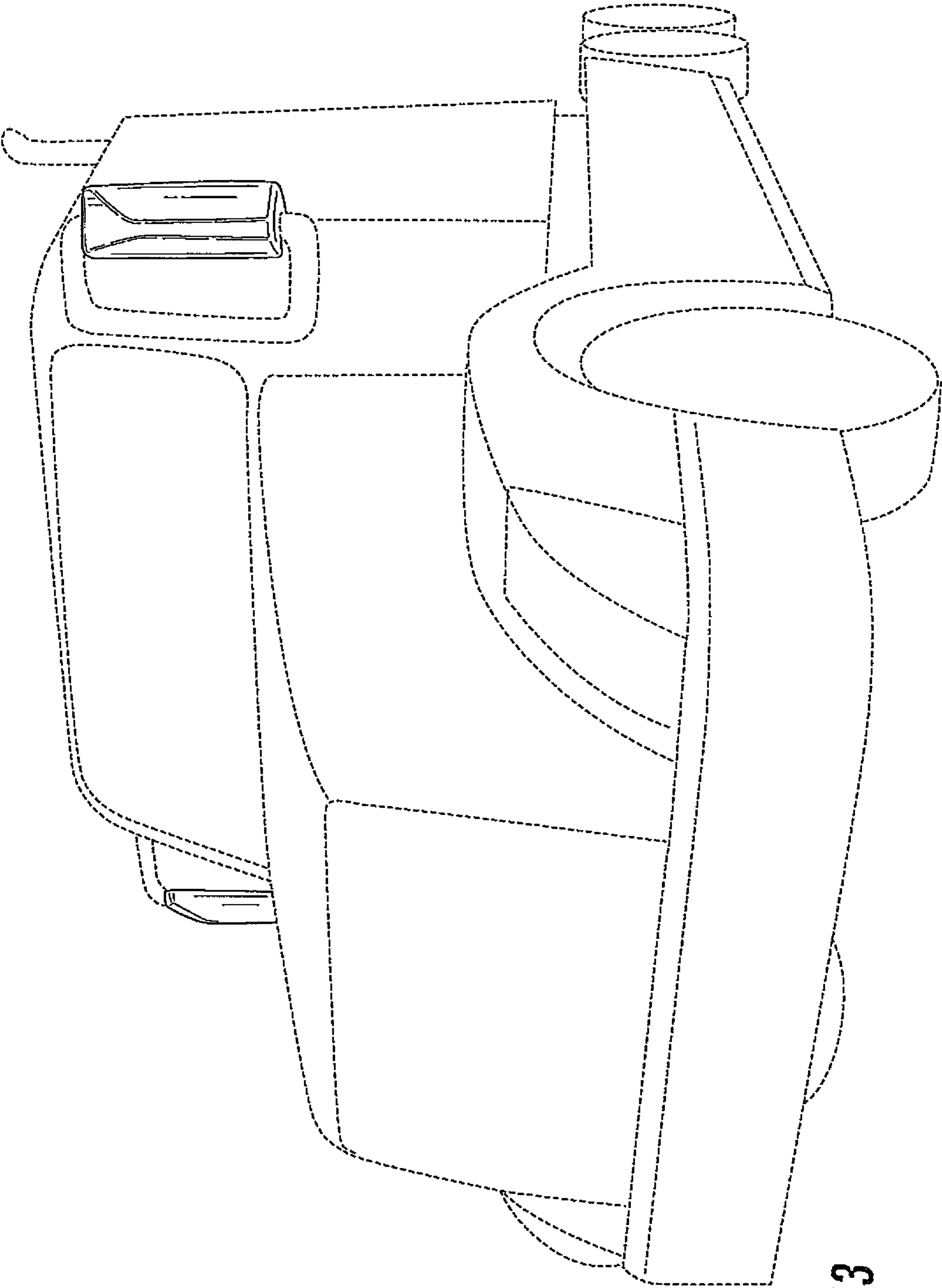


FIG. 13