



US00D686125S

(12) **United States Design Patent**
McCabe et al.

(10) **Patent No.:** **US D686,125 S**
(45) **Date of Patent:** **** Jul. 16, 2013**

(54) **VEHICLE FRONT FENDER**

(75) Inventors: **Steven M. McCabe**, Harper Woods, MI (US); **Jeasoo Kim**, Troy, MI (US); **Samuel Zhao**, Sterling Heights, MI (US)

(73) Assignee: **GM Global Technology Operations LLC**, Detroit, MI (US)

(**) Term: **14 Years**

(21) Appl. No.: **29/413,254**

(22) Filed: **Feb. 13, 2012**

(51) **LOC (9) Cl.** **12-16**

(52) **U.S. Cl.**
USPC **D12/184**

(58) **Field of Classification Search**
USPC D12/184, 196, 90-92, 181; 280/152.1, 280/847-849, 851; 296/181.1, 181.5
See application file for complete search history.

(56) **References Cited**

U.S. PATENT DOCUMENTS

D607,797	S	*	1/2010	Walter et al.	D12/184
D609,150	S	*	2/2010	Kruger et al.	D12/184
D615,013	S	*	5/2010	Lamm et al.	D12/181
D665,319	S	*	8/2012	Huet	D12/184
D669,405	S	*	10/2012	Gifford	D12/184

* cited by examiner

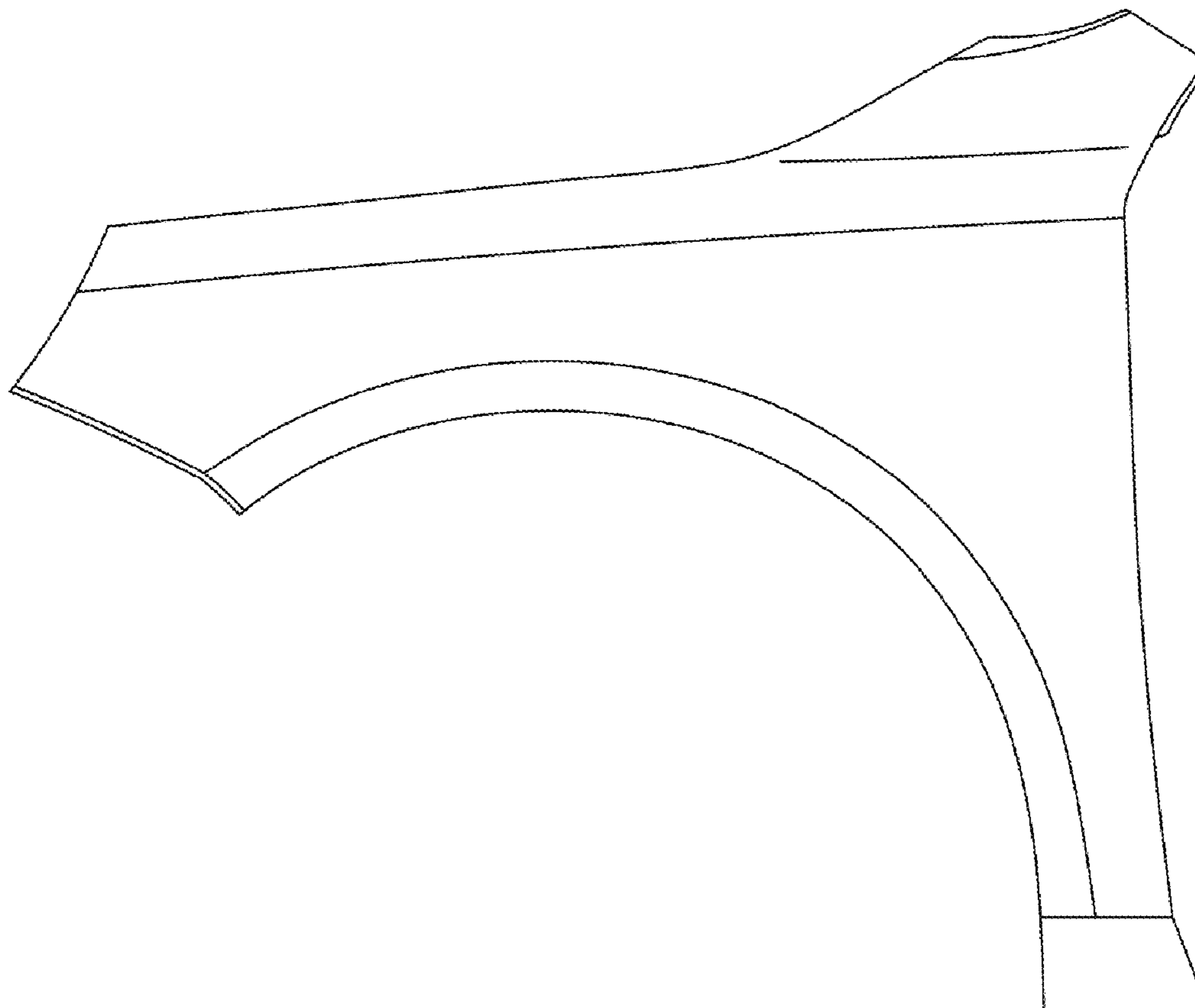
Primary Examiner — Melody Brown
(74) *Attorney, Agent, or Firm* — Parks IP Law LLC; Mickki D. Murray

(57) **CLAIM**
The ornamental design for a vehicle front fender, as shown and described.

DESCRIPTION

FIG. 1 is perspective view of a vehicle front fender showing the new design;
FIG. 2 is a side view, thereof;
FIG. 3 is a front view, thereof; and,
FIG. 4 is a top plan view, thereof.

1 Claim, 1 Drawing Sheet



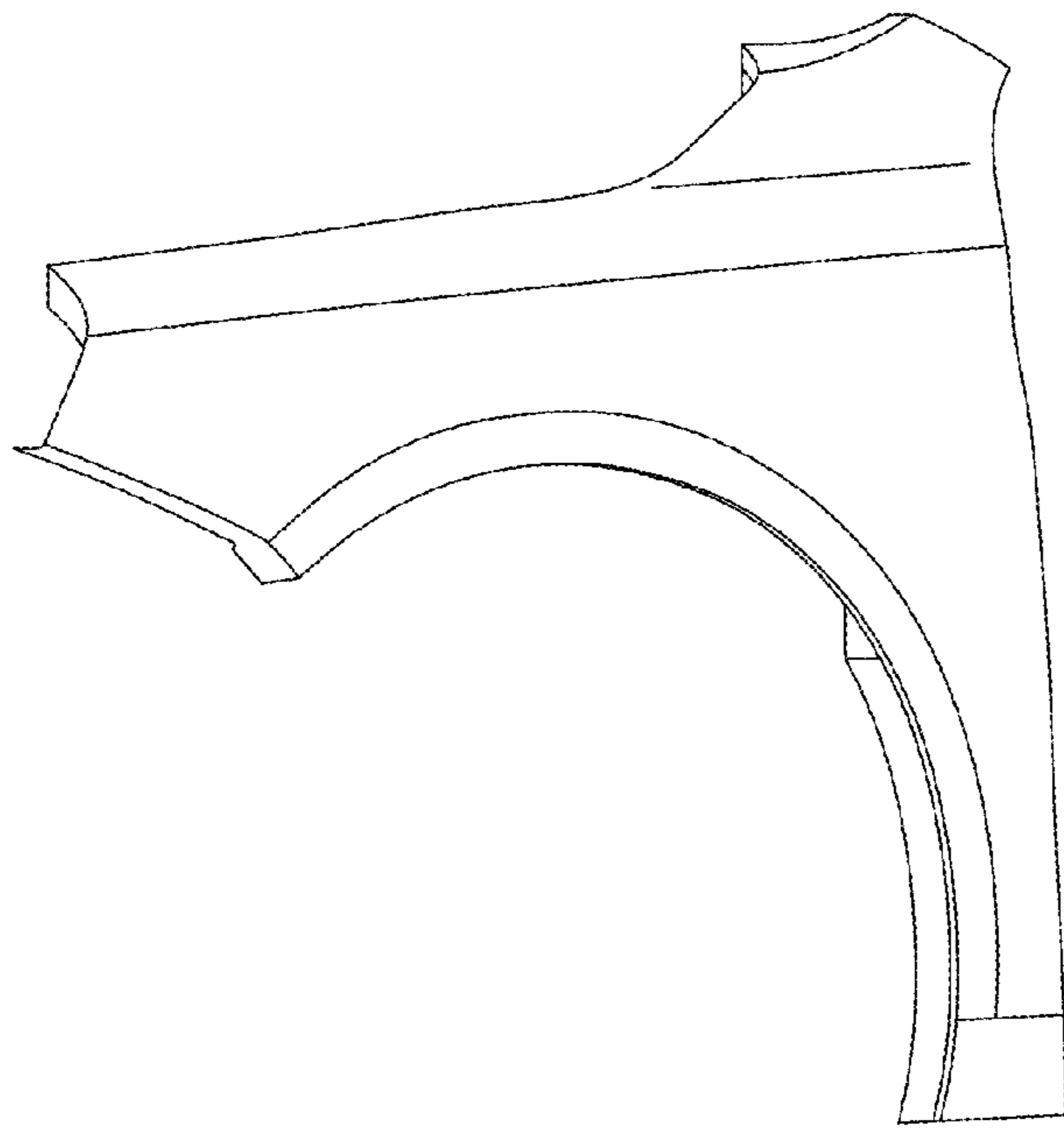


Fig-1

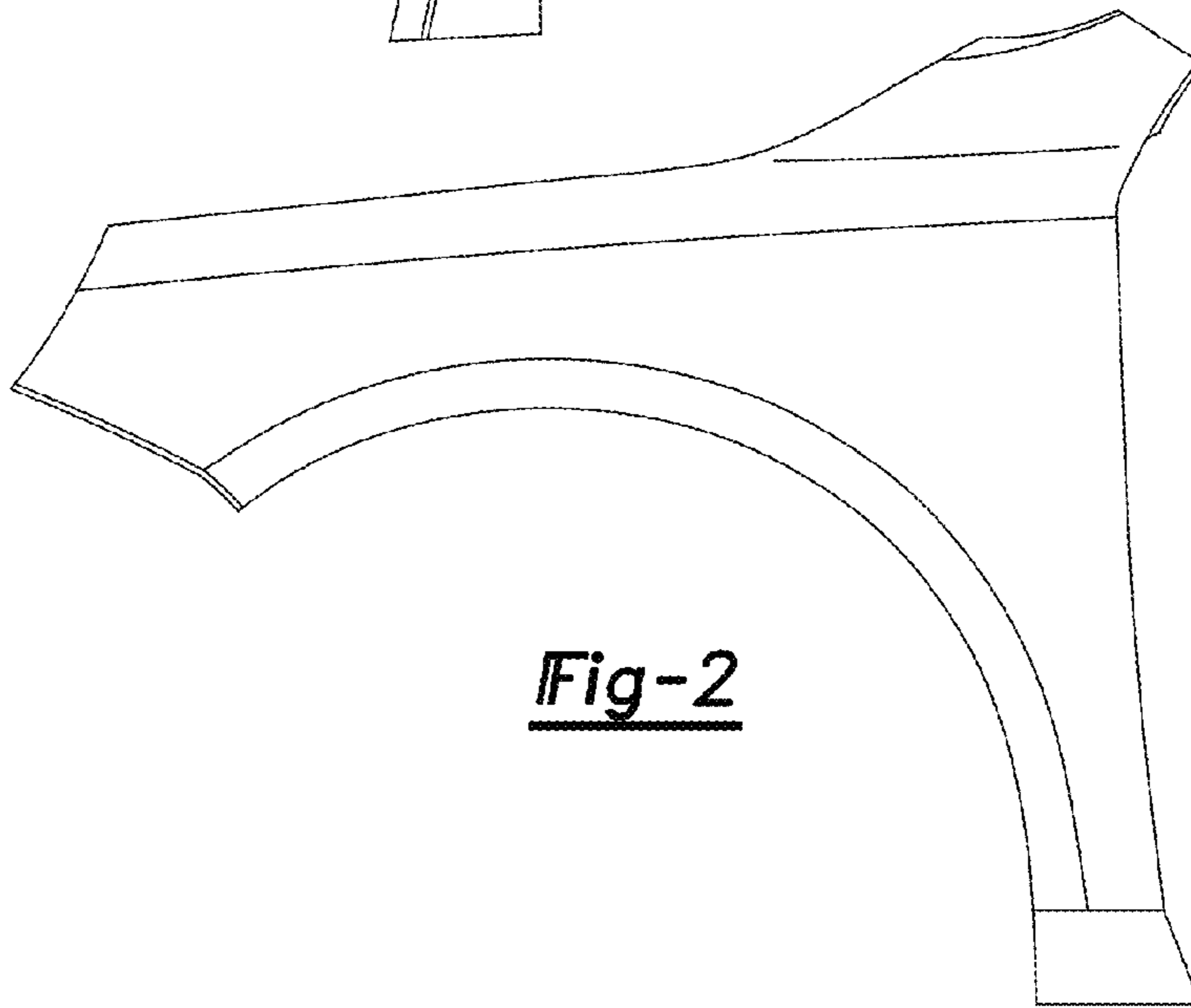


Fig-2

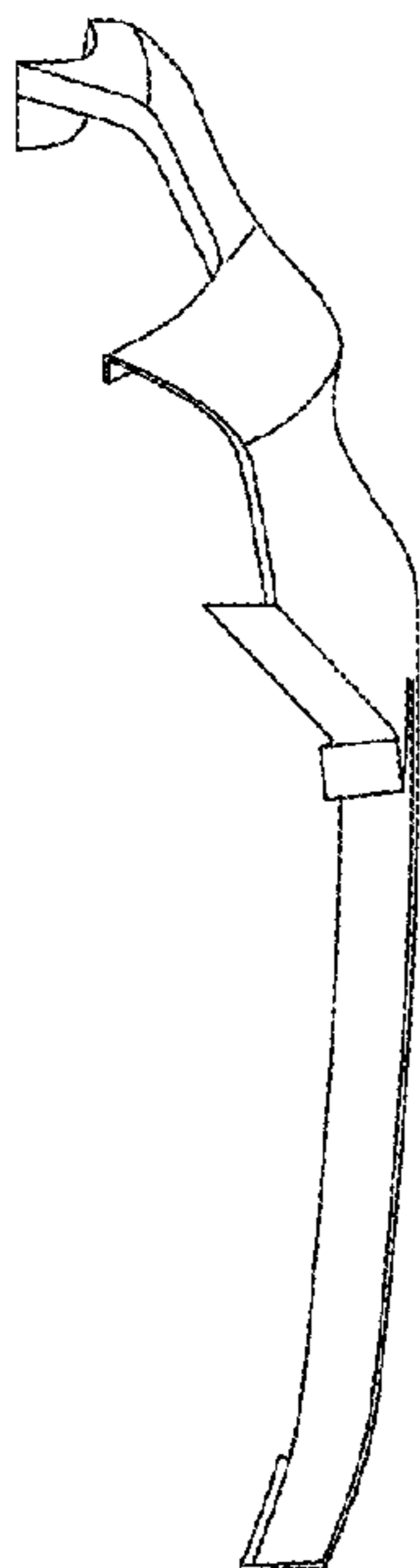


Fig-3

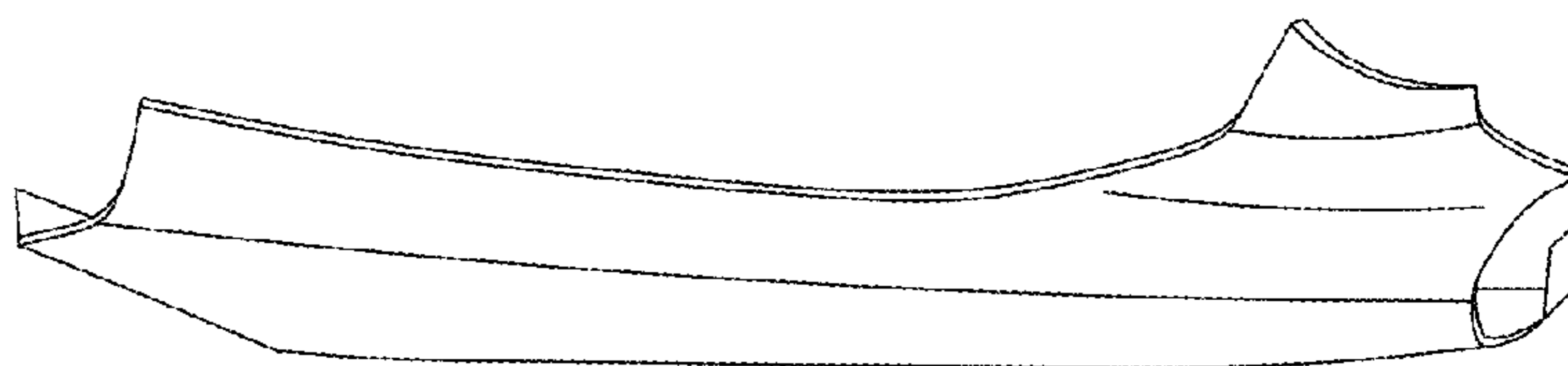


Fig-4