



US00D686123S

(12) **United States Design Patent**  
**Peltola et al.**

(10) **Patent No.:** **US D686,123 S**  
(45) **Date of Patent:** **\*\* Jul. 16, 2013**

(54) **ROOF ASSEMBLY**

(75) Inventors: **Wallace A. Peltola**, Sammamish, WA (US); **Jonathan Duncan**, Seattle, WA (US); **Steven H. Hovind**, Bellevue, WA (US); **Charles Baer**, Bellevue, WA (US); **Alec C. Wong**, Bellevue, WA (US)

(73) Assignee: **PACCAR Inc**, Bellevue, WA (US)

(\*\*) Term: **14 Years**

(21) Appl. No.: **29/415,707**

(22) Filed: **Mar. 13, 2012**

(51) **LOC (9) Cl.** ..... **12-08**

(52) **U.S. Cl.**  
USPC ..... **D12/181**; D12/96

(58) **Field of Classification Search**  
USPC ..... D12/88, 94, 95, 96, 181, 184, 190, D12/191, 196, 400; 280/727, 762, 770, 848; 296/91, 180.1, 180.2, 190.2, 217, 225  
See application file for complete search history.

(56) **References Cited**

U.S. PATENT DOCUMENTS

D272,058 S *	1/1984	Kangas	.....	D12/404
D311,506 S *	10/1990	Marlowe et al.	.....	D12/96
D313,966 S *	1/1991	Marlowe et al.	.....	D12/181
D314,163 S *	1/1991	Harris et al.	.....	D12/96
D320,583 S *	10/1991	Simons et al.	.....	D12/96
D335,855 S *	5/1993	Callaway et al.	.....	D12/181
D375,925 S *	11/1996	Griffin	.....	D12/181
D391,524 S *	3/1998	Anderson et al.	.....	D12/96
D399,791 S *	10/1998	Hellhake et al.	.....	D12/96
D399,792 S *	10/1998	Hellhake et al.	.....	D12/96
D400,158 S *	10/1998	Meryman et al.	.....	D12/401
D411,140 S *	6/1999	Meryman et al.	.....	D12/96
D424,489 S *	5/2000	Damon et al.	.....	D12/181
D425,450 S *	5/2000	Barraclough et al.	.....	D12/96
D431,806 S	10/2000	Damon		

D434,347 S *	11/2000	Damon et al.	.....	D12/96
D436,894 S *	1/2001	Barraclough et al.	.....	D12/96
D437,258 S *	2/2001	Meryman et al.	.....	D12/96
D460,023 S	7/2002	Beigel		
D465,749 S *	11/2002	Beigel	.....	D12/96
D475,657 S *	6/2003	Wong et al.	.....	D12/96
D535,597 S *	1/2007	Herpel	.....	D12/181

(Continued)

OTHER PUBLICATIONS

“AeroCab,” Kenworth Truck Company, Kirkland, Washington, 1993, 5-page brochure.

(Continued)

*Primary Examiner* — Susan E Krakower

*Assistant Examiner* — John T Applewhite

(74) *Attorney, Agent, or Firm* — Christensen O’Connor Johnson Kindness PLLC

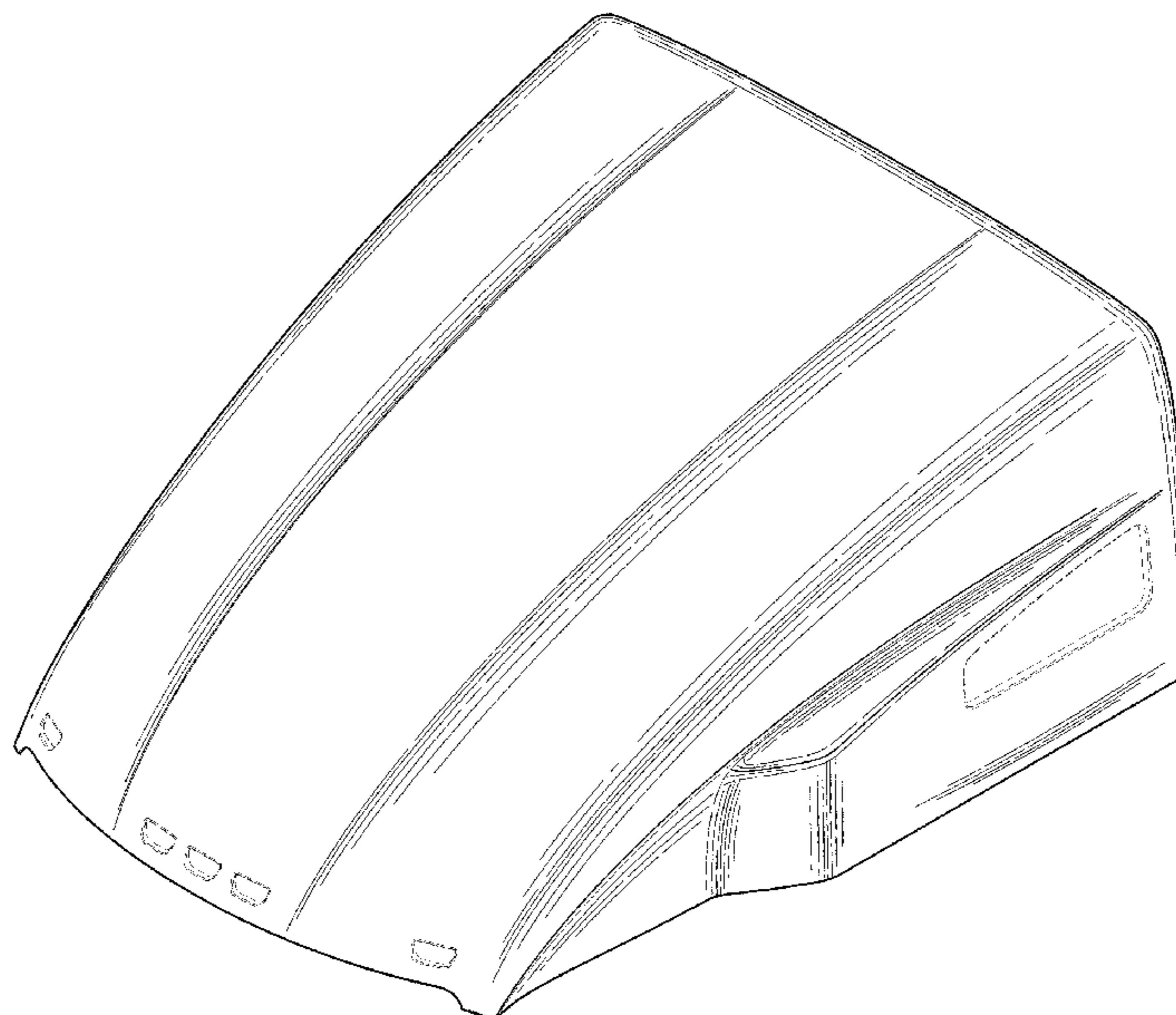
(57) **CLAIM**

The ornamental design for a roof assembly, as shown and described.

**DESCRIPTION**

FIG. 1 is a perspective view of a roof assembly according to our new design;  
FIG. 2 is a front elevational view of the roof assembly of FIG. 1;  
FIG. 3 is a rear elevational view of the roof assembly of FIG. 1;  
FIG. 4 is a top plan view of the roof assembly of FIG. 1;  
FIG. 5 is a right side elevational view of the roof assembly of FIG. 1; and,  
FIG. 6 is a left side elevational view of the roof assembly of FIG. 1.  
The broken lines illustrate portions of the roof assembly that form no part of claimed design.

**1 Claim, 4 Drawing Sheets**



U.S. PATENT DOCUMENTS

D558,643	S	*	1/2008	Beigel et al. ....	D12/96
D589,420	S	*	3/2009	Raghavendran et al. ....	D12/181
D613,224	S	*	4/2010	Beigel et al. ....	D12/196
D633,015	S	*	2/2011	Peltola et al. ....	D12/181
D643,353	S	*	8/2011	Balicki et al. ....	D12/181
D666,541	S	*	9/2012	Stimel, Jr. ....	D12/181
2005/0040668	A1		2/2005	Wood	

OTHER PUBLICATIONS

“AeroCab,” Kenworth Truck Company, Kirkland, Washington, as early as 1995, 3-page brochure.

“AG130 Front Air Suspension,” Kenworth Truck Company, Kirkland, Washington, 2008, 2-page brochure.

“C500B,” Kenworth Truck Company, Kirkland, Washington, as early as 1990, 4-page brochure.

“Cabovers,” Peterbilt Motors Company, Newark, California, as early as 2000, 7-page brochure.

“Class Pays, Construction Trucks,” Peterbilt Motors Company, Denton, Texas, Nov. 2003, 16-page brochure.

“Class Pays, Ergonomic Dash,” Peterbilt Motors Company, Denton, Texas, Mar. 2000, 2-page brochure.

“Class Pays, Medium Duty,” Peterbilt Motors Company, Denton, Texas, Sep. 2000, 12-page brochure.

“Class Pays, Platinum Interior,” Peterbilt Motors Company, Denton, Texas, May 2005, 4-page brochure.

“Class Pays, Refuse Trucks,” Peterbilt Motors Company, Denton, Texas, Sep. 2003, 2-page brochure.

“Class Pays, Truck Models,” Peterbilt Motors Company, Denton, Texas, Mar. 2005, 24-page brochure.

“Class Pays,” Peterbilt Motors Company, Denton, Texas, Nov. 1998, 10-page brochure.

“Class Pays,” Peterbilt Motors Company, Denton, Texas, Sep. 1997, 10-page brochure.

“Construction Trucks,” Canadian Kenworth Truck, Mississauga, Ontario, Canada, Jul. 1990, 16-page brochure.

“Interiors,” Kenworth Truck Company, Kirkland, Washington, 2005, 16-page brochure.

“Kenworth Truck Models,” Kenworth Truck Company, Kirkland, Washington, 2010, 16-page brochure.

“K100E,” Kenworth Truck Company, Kirkland, Washington, 1984, 8-page brochure.

“Model 320,” Peterbilt Motors Company, Denton, Texas, May 1996, 2-page brochure.

“Model 330,” Peterbilt Motors Company, Denton, Texas, Oct. 1997, 3-page brochure.

“Model 357 Heavy Haul,” Peterbilt Motors Company, Denton, Texas, Mar. 2005, 2-page brochure.

“Model 357 Standard Specifications,” Peterbilt Motors Company, Newark, California, Sep. 1986, 6-page brochure.

“Model 357, New Sloped Hood,” Peterbilt Motors Company, Denton, Texas, May 2002, 2-page brochure.

“Model 357,” Peterbilt Motors Company, Denton, Texas, May 1994, 3-page brochure.

“Model 357-115,” Peterbilt Motors Company, Denton, Texas, Mar. 2005, 2-page brochure.

“Model 362,” Peterbilt Motors Company, Newark, California, 1985, 8-page brochure.

“Model 375 Standard Specifications,” Peterbilt Motors Company, Newark, California, Sep. 1986, 6-page brochure.

“Model 377A/E,” Peterbilt Motors Company, Denton, Texas, Aug. 1997, 2-page brochure.

“Model 377A/E,” Peterbilt Motors Company, Denton, Texas, Jan. 1995, 6-page brochure.

“Model 378,” Peterbilt Motors Company, Denton, Texas, Mar. 1998, 3-page brochure.

“Model 379,” Peterbilt Motors Company, Denton, Texas, Apr. 2005, 2-page brochure.

“Model 379,” Peterbilt Motors Company, Denton, Texas, Mar. 1996, 5-page brochure.

“Model 385,” Peterbilt Motors Company, Denton, Texas, Oct. 1996, 5-page brochure.

“Model 387,” Peterbilt Motors Company, Denton, Texas, Oct. 2002, 2-page brochure.

“Paccar Engines, 2010 Medium Duty Engines,” Paccar Inc, Bellevue, Washington, 2010, 6-page brochure.

“Paccar MX,” Paccar Inc, Bellevue, Washington, 2010, 4-page brochure.

“Peterbilt Parts & Accessories,” Peterbilt Motors Company, Denton, Texas, catalog, as early as 2000, 52-page brochure.

“Rest with Class,” Peterbilt Motors Company, Newark, California, Apr. 1978, 4-page brochure.

“Studio Sleeper,” Kenworth Truck Company, Kirkland, Washington, 1993, 5-page brochure.

“T170 Class 5,” Kenworth Truck Company, Kirkland, Washington, 2008, 4-page brochure.

“T2000,” Kenworth Truck Company, Kirkland, Washington, 1999, 20-page brochure.

“T2000,” Kenworth Truck Company, Kirkland, Washington, 2002, 20-page brochure.

“T2000,” Kenworth Truck Company, Kirkland, Washington, 2005, 20-page brochure.

“T270 Class 6 and T370 Class 7,” Kenworth Truck Company, Kirkland, Washington, 2008, 6-page brochure.

“T270 Class 6 and T370 Class 7,” Kenworth Truck Company, Kirkland, Washington, 2009, 6-page brochure.

“T270 Class 6 and T370 Class 7 Hybrid,” Kenworth Truck Company, Kirkland, Washington, 2009, 6-page brochure.

“T300,” Kenworth Truck Company, Kirkland, Washington, 1994, 4-page brochure.

“T300,” Kenworth Truck Company, Kirkland, Washington, 1997, 5-page brochure.

“T300,” Kenworth Truck Company, Kirkland, Washington, 2001, 16-page brochure.

“T300,” Kenworth Truck Company, Kirkland, Washington, 2005, 16-page brochure.

“T400B and T450B,” Kenworth Truck Company, Kirkland, Washington, 1992, 10-page brochure.

“T440,” Kenworth Truck Company, Kirkland, Washington, 2010, 2-page brochure.

“T440,” Kenworth Truck Company, Kirkland, Washington, 2010, 6-page brochure.

“T470,” Kenworth Truck Company, Kirkland, Washington, 2010, 6-page brochure.

“T470H,” Kenworth Truck Company, Kirkland, Washington, 2009, 2-page brochure.

“T600, Ten Years of Innovation,” Kenworth Truck Company, Kirkland, Washington, 1995, 6-page brochure.

“T600,” Kenworth Truck Company, Kirkland, Washington, 1996, 7-page brochure.

“T600,” Kenworth Truck Company, Kirkland, Washington, 2002, 28-page brochure.

“T600,” Kenworth Truck Company, Kirkland, Washington, 2005, 24-page brochure.

“T600A,” Kenworth Truck Company, Kirkland, Washington, 1985, 10-page brochure.

“T660,” Kenworth Truck Company, Kirkland, Washington, 2007, 36-page brochure.

“T660,” Kenworth Truck Company, Kirkland, Washington, 2009, 36-page brochure.

“T700,” Kenworth Truck Company, Kirkland, Washington, 2010, 6-page brochure.

“T800,” Kenworth Truck Company, Kirkland, Washington, 1996, 7-page brochure.

“T800,” Kenworth Truck Company, Kirkland, Washington, 2002, 32-page brochure.

“T800,” Kenworth Truck Company, Kirkland, Washington, 2003, 32-page brochure.

“T800,” Kenworth Truck Company, Kirkland, Washington, 2005, 28-page brochure.

“T800,” Kenworth Truck Company, Kirkland, Washington, 2009, 28-page brochure.

“T800B,” Kenworth Truck Company, Kirkland, Washington, 1993, 8-page brochure.

# US D686,123 S

Page 3

---

“The Working Class,” Peterbilt Motors Company, Newark, California, Sep. 1976, 6-page brochure.

“The World’s Best,” Kenworth Truck Company, Kirkland, Washington, 1992, 12-page brochure.

“Unibilt™ Cab Sleeper System,” Peterbilt Motors Company, Denton Texas, Aug. 1994, 6-page brochure.

“W900,” Kenworth Truck Company, Kirkland, Washington, 1996, 7-page brochure.

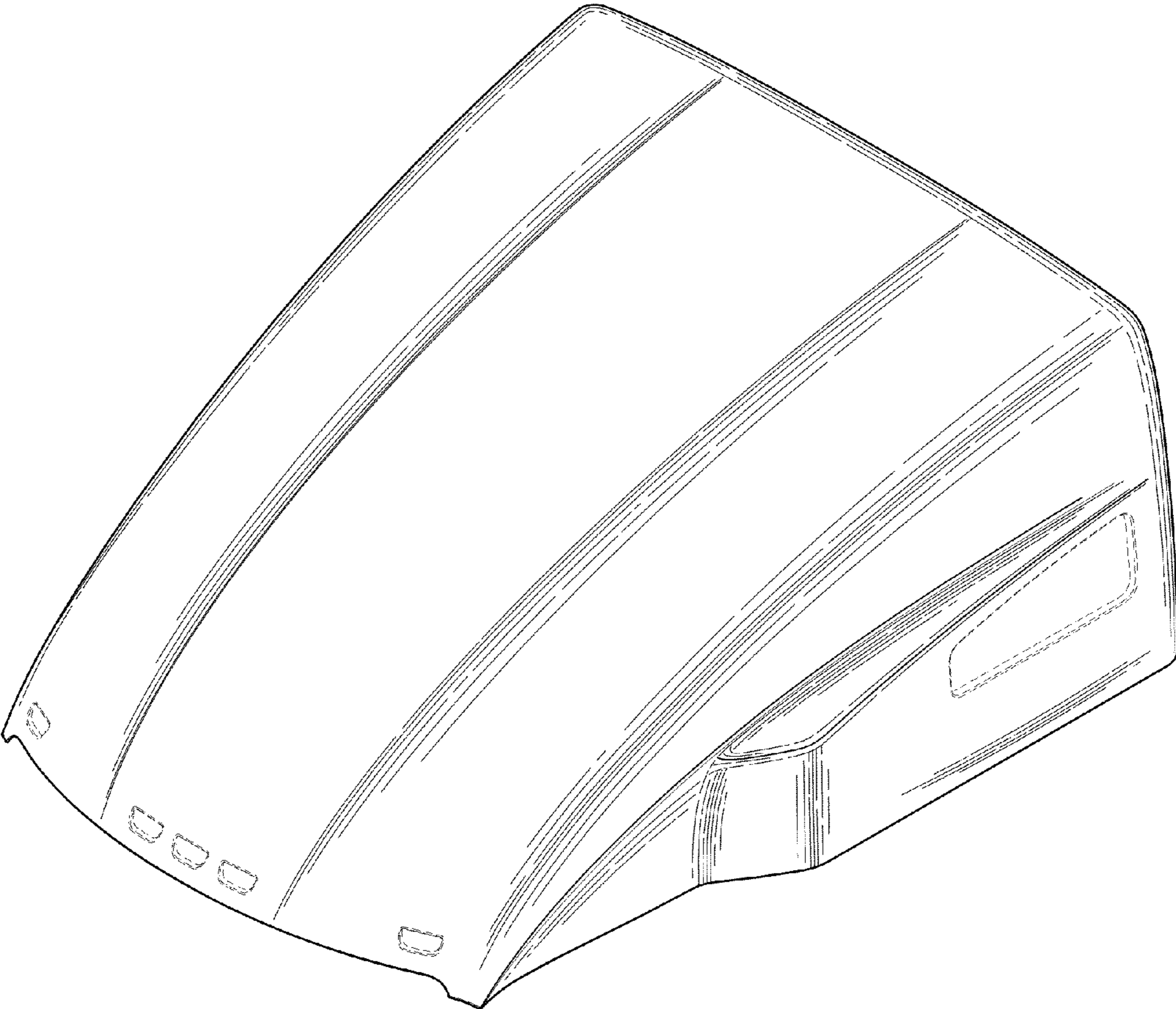
“W900,” Kenworth Truck Company, Kirkland, Washington, 2002, 32-page brochure.

“W900,” Kenworth Truck Company, Kirkland, Washington, 2005, 28-page brochure.

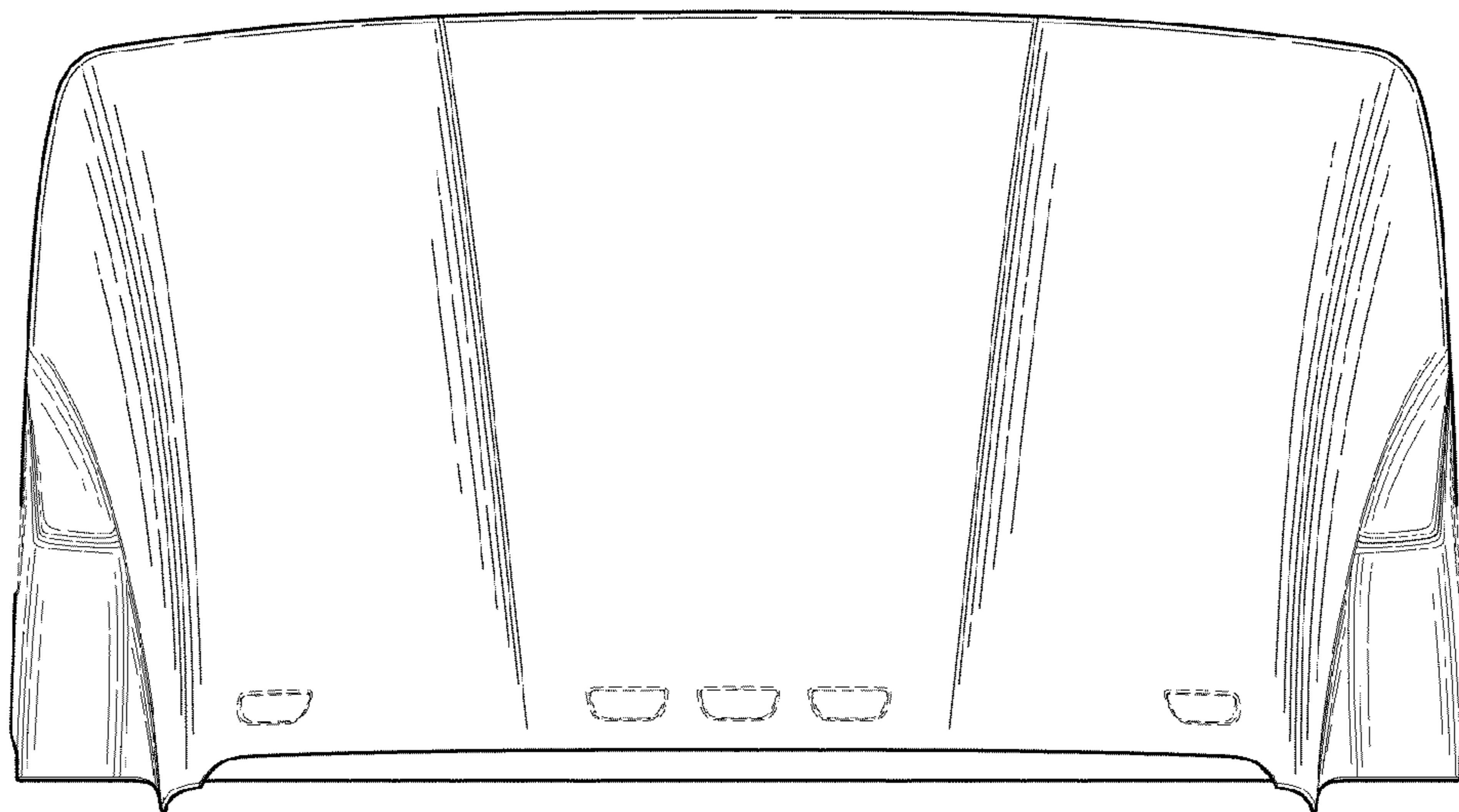
“W900,” Kenworth Truck Company, Kirkland, Washington, 2009, 28-page brochure.

“W900L Aero Cab,” Kenworth Truck Company, Kirkland, Washington, 1994, 2-page brochure.

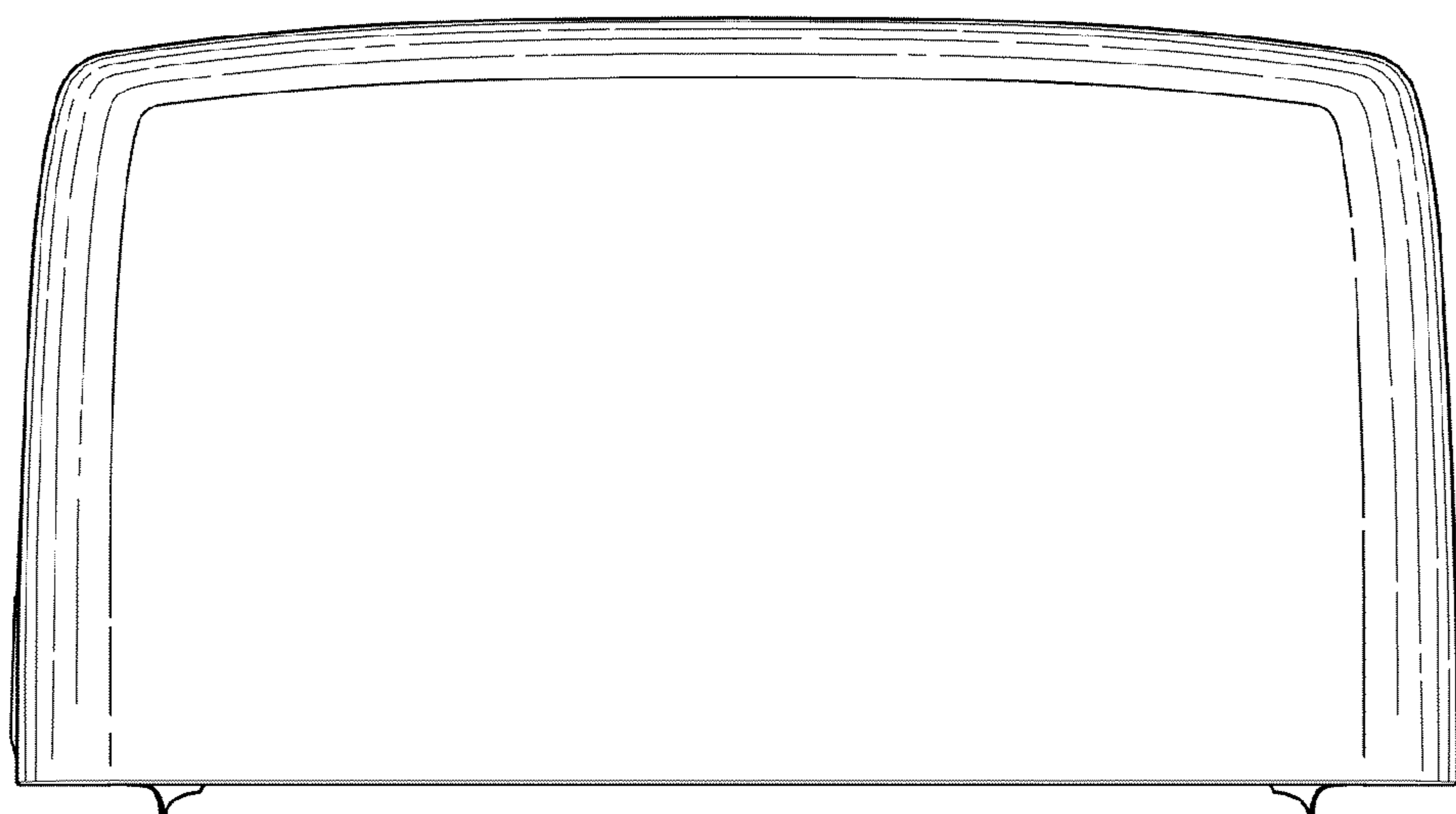
\* cited by examiner



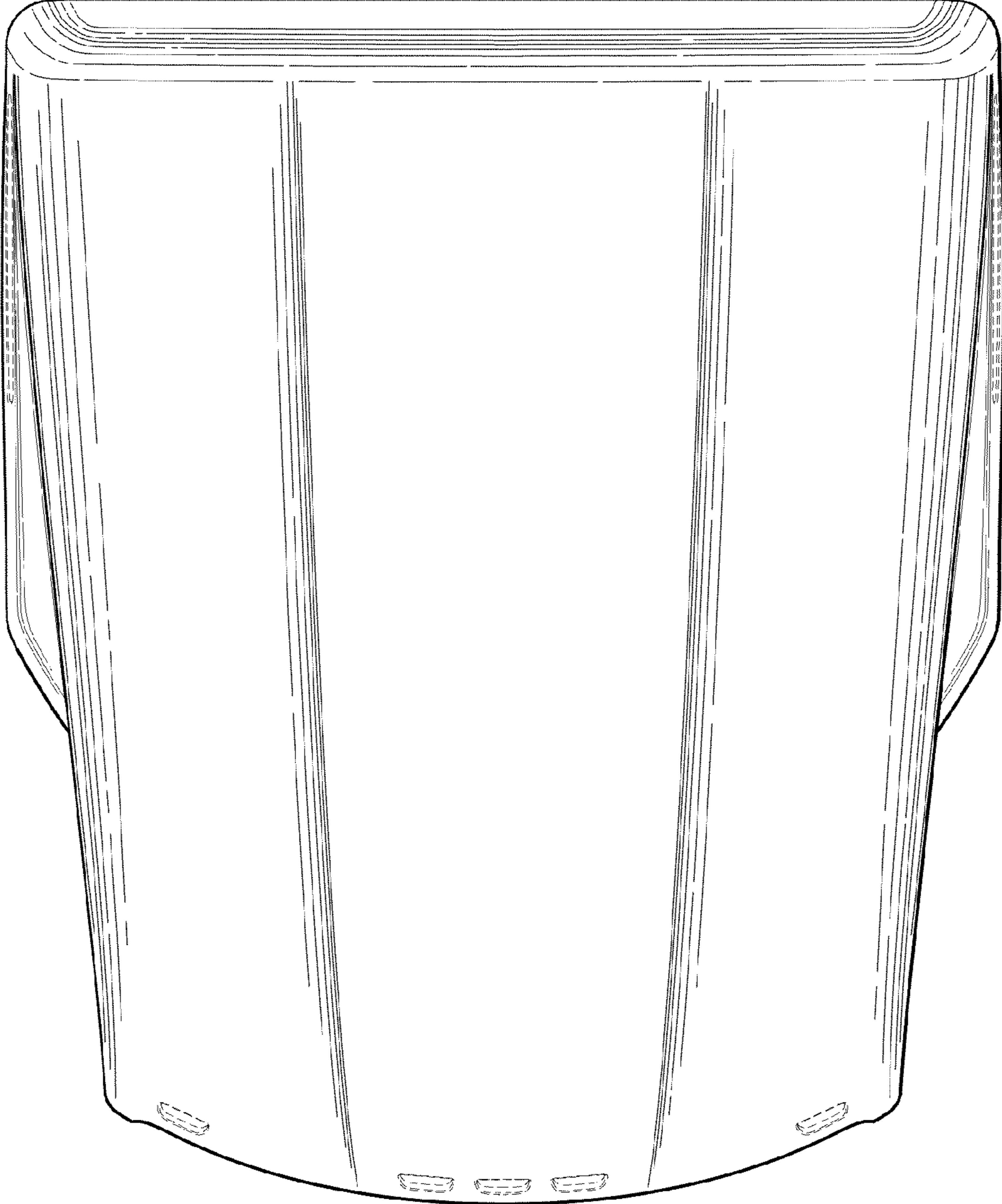
*Fig. 1.*



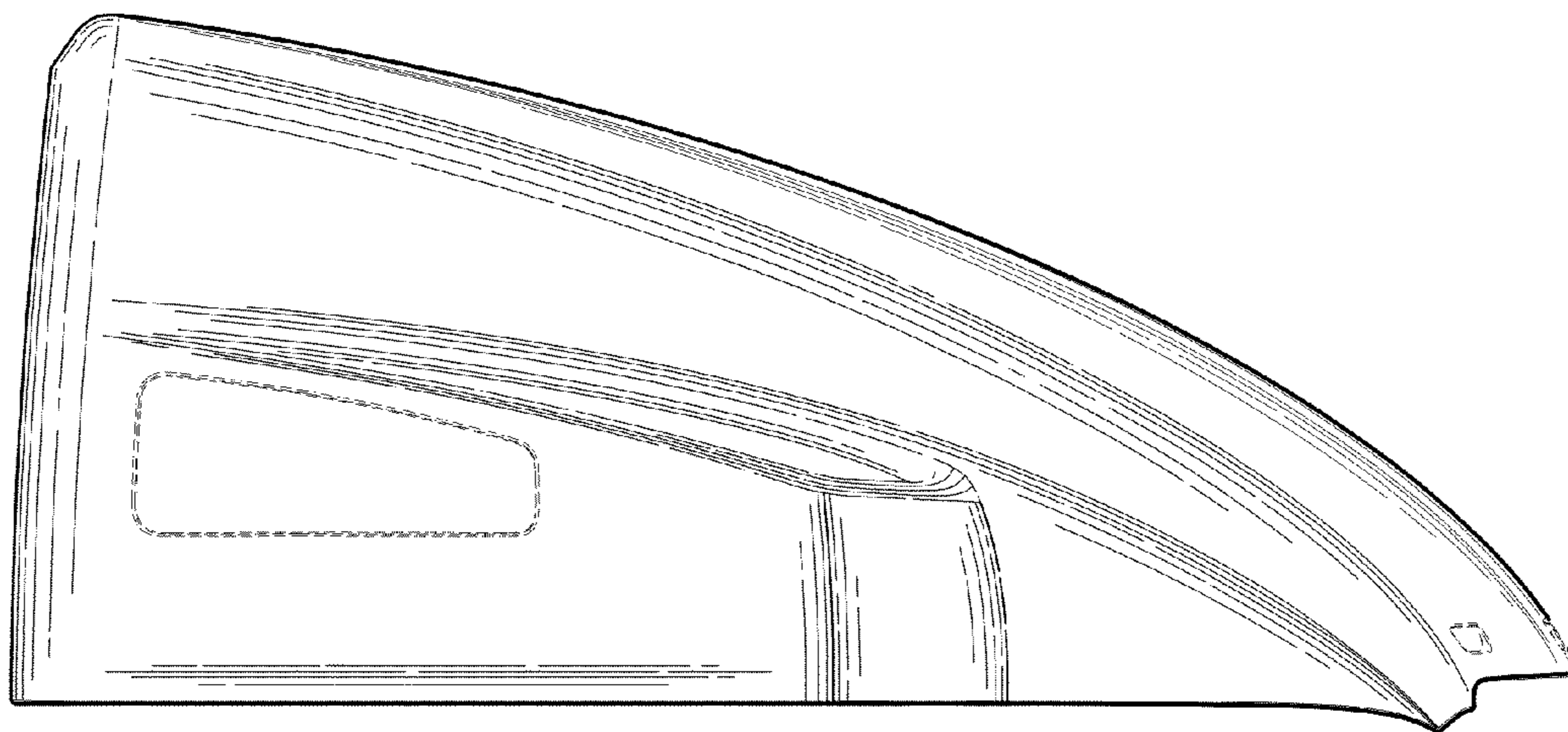
*Fig.2.*



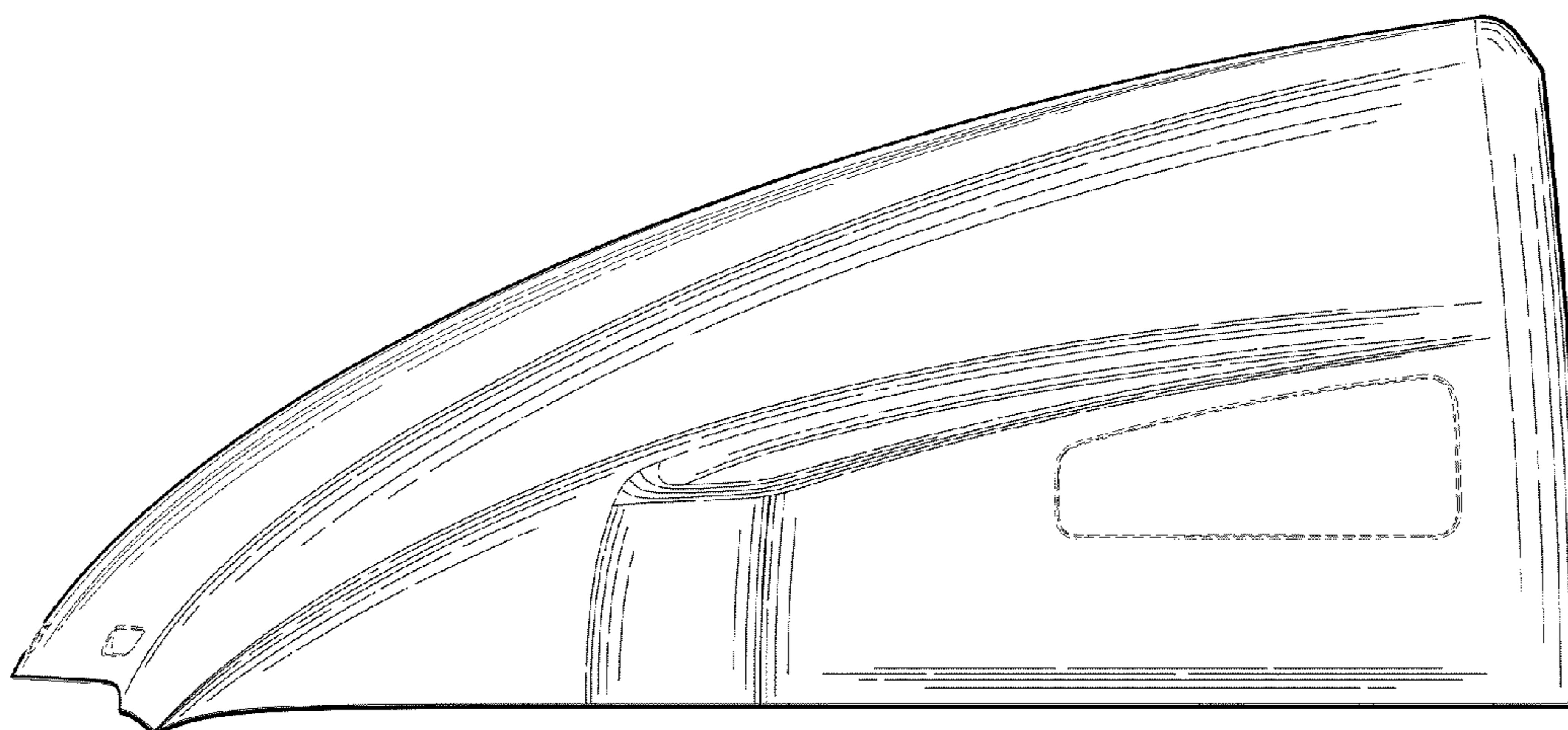
*Fig.3.*



*Fig. 4.*



*Fig. 5.*



*Fig. 6.*