



US00D686118S

(12) **United States Design Patent**
Thurber

(10) **Patent No.:** **US D686,118 S**
(45) **Date of Patent:** **** Jul. 16, 2013**

(54) **VEHICLE FRONT BUMPER**

(56) **References Cited**

(75) Inventor: **Joshua L. Thurber**, New Baltimore, MI
(US)

U.S. PATENT DOCUMENTS

D636,303	S	*	4/2011	Frei et al.	D12/169
D637,945	S	*	5/2011	Nakagawa	D12/169
D647,440	S	*	10/2011	Murakawa et al.	D12/169
D656,871	S	*	4/2012	Fetherston et al.	D12/169
D665,711	S	*	8/2012	Matsuno et al.	D12/169
D665,712	S	*	8/2012	Tanai	D12/169
D673,086	S	*	12/2012	Frenzel et al.	D12/169
D675,135	S	*	1/2013	Hara et al.	D12/169

(73) Assignee: **GM Global Technology Operations**
LLC, Detroit, MI (US)

(**) Term: **14 Years**

* cited by examiner

(21) Appl. No.: **29/413,108**

Primary Examiner — Melody Brown

(22) Filed: **Feb. 10, 2012**

(74) *Attorney, Agent, or Firm* — Parks IP Law LLC; Mickki D. Murray

(51) **LOC (9) Cl.** **12-16**

(57) **CLAIM**

The ornamental design for a vehicle front bumper, as shown and described.

(52) **U.S. Cl.**

DESCRIPTION

USPC **D12/169**

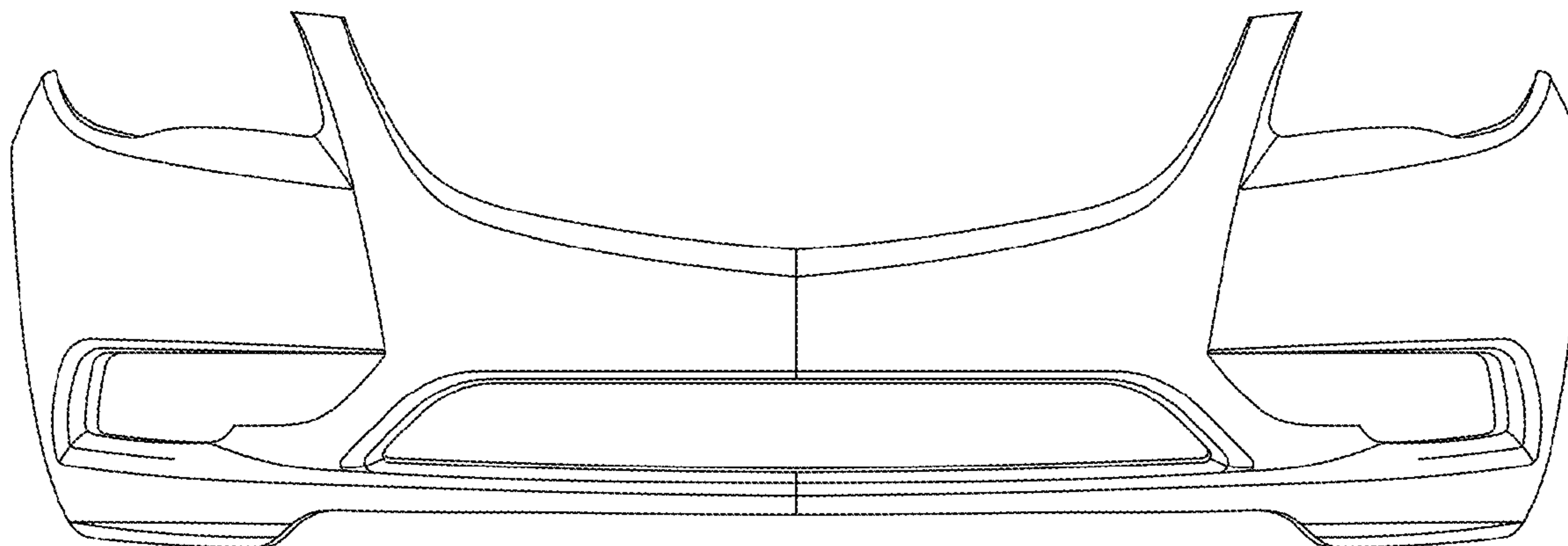
(58) **Field of Classification Search**

USPC D12/169, 196, 171, 216, 163, 86,
D12/90-92; 293/102, 113, 115, 117, 120;
296/180.1, 180.2

FIG. 1 is a perspective view of a vehicle front bumper showing the new design;
FIG. 2 is a front view, thereof;
FIG. 3 is a side view, thereof; and,
FIG. 4 is a top plan view, thereof.

See application file for complete search history.

1 Claim, 1 Drawing Sheet



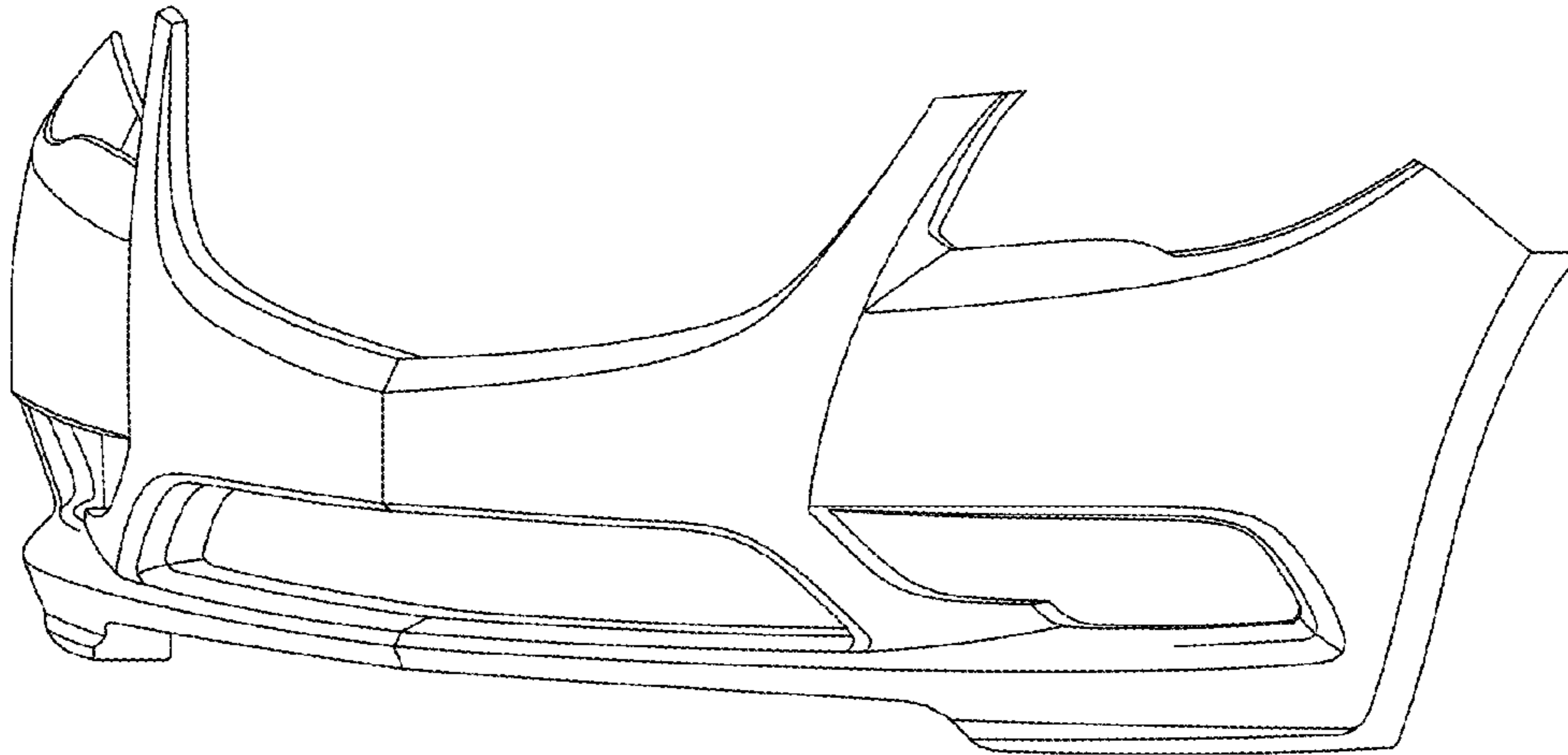


Fig-1

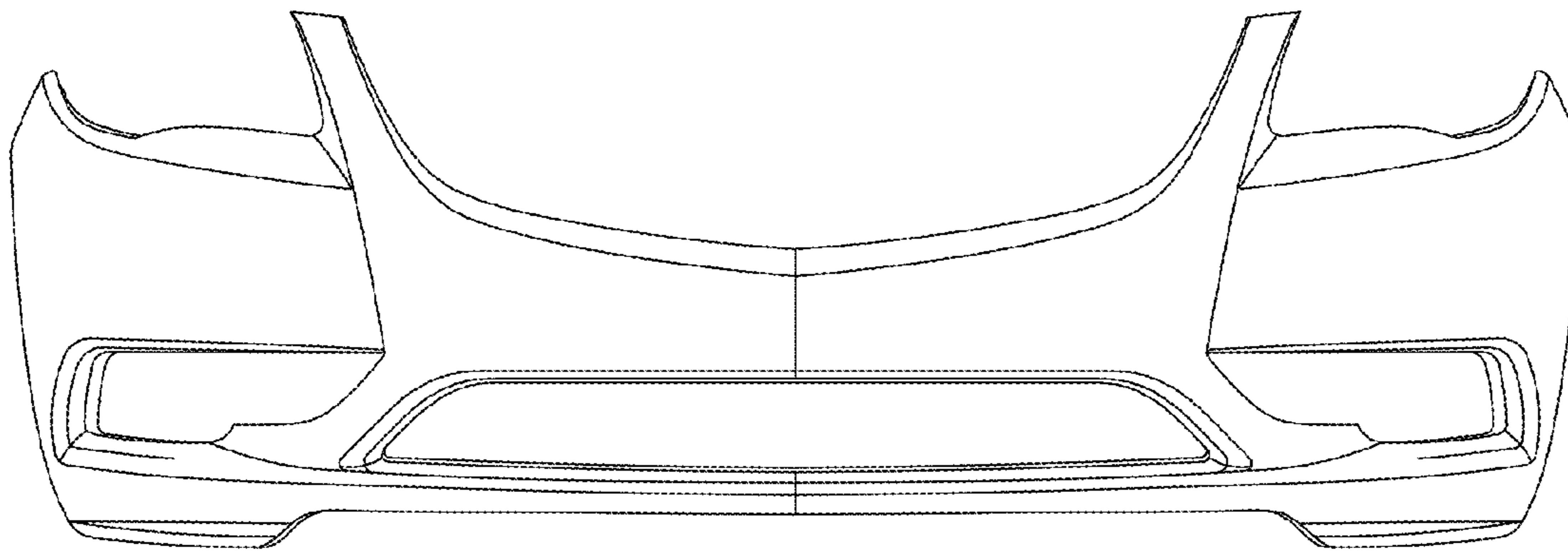


Fig-2

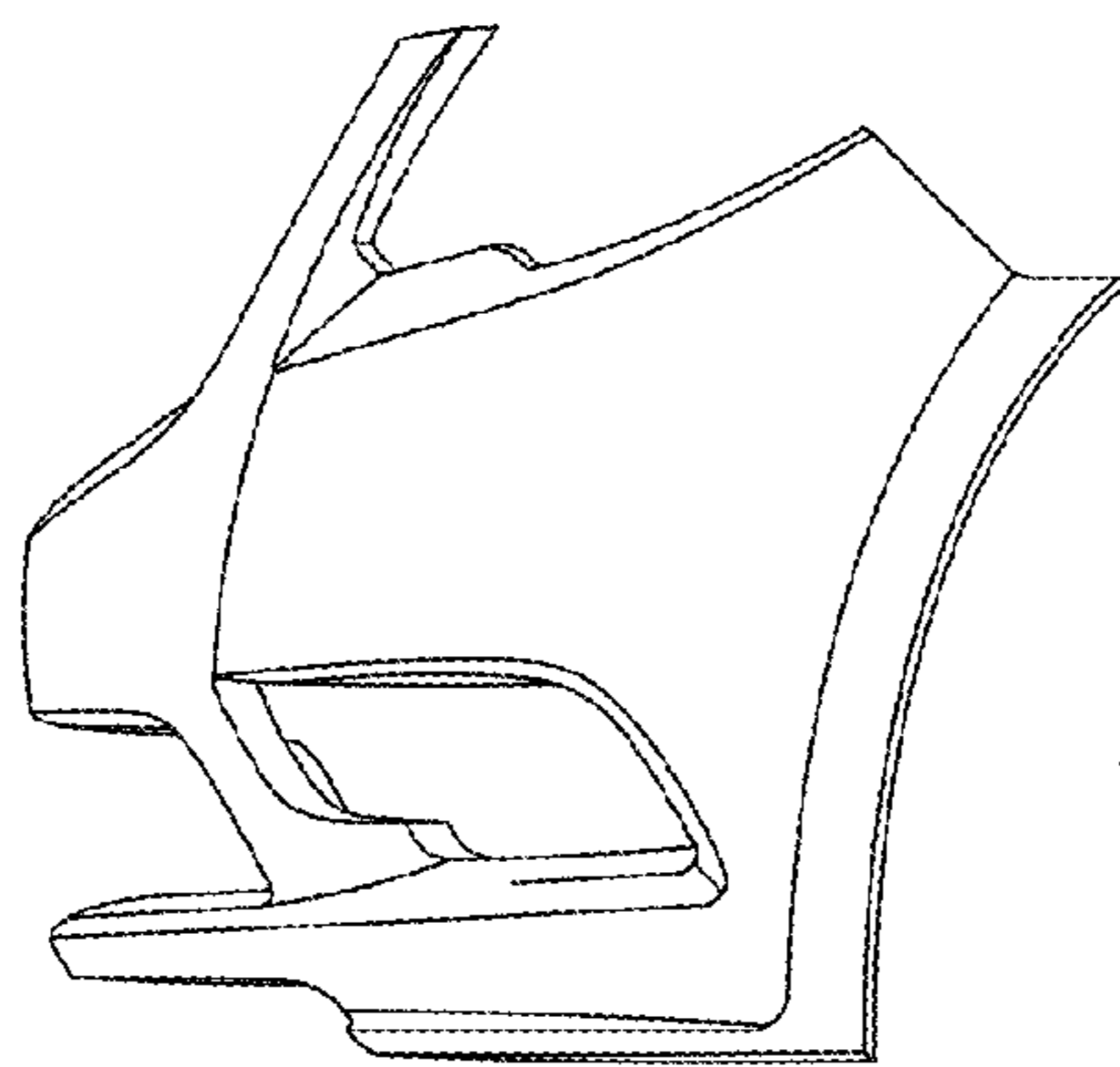


Fig-3

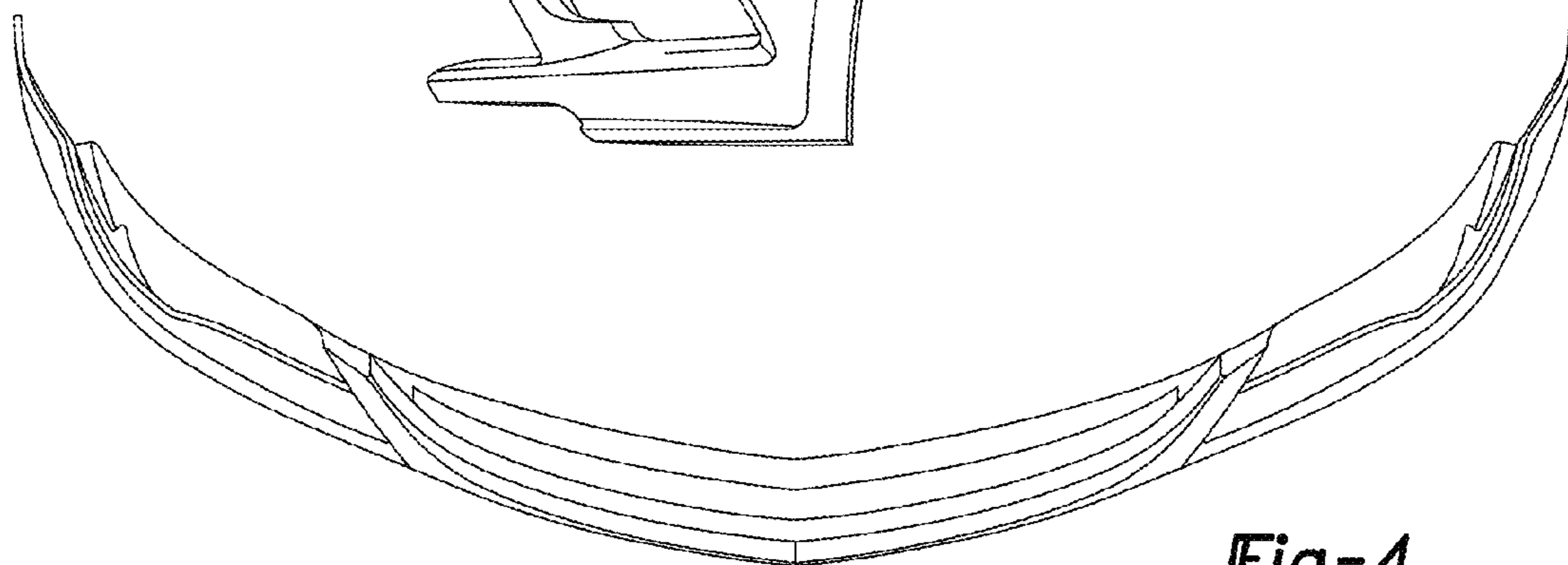


Fig-4