



US00D686117S

(12) **United States Design Patent**  
**Tase et al.**

(10) **Patent No.:** **US D686,117 S**  
(45) **Date of Patent:** **\*\* Jul. 16, 2013**

(54) **RADIATOR GRILL FOR AUTOMOBILE**  
(75) Inventors: **Nobutaka Tase**, Kanagawa (JP);  
**Kazunori Murabayashi**, Tokyo (JP)  
(73) Assignee: **Nissan Motor Co., Ltd.**, Yokohama (JP)  
(\*\*) Term: **14 Years**  
(21) Appl. No.: **29/415,963**  
(22) Filed: **Mar. 16, 2012**

D592,564 S \* 5/2009 Kusamoto et al. .... D12/163  
D602,820 S \* 10/2009 Yukawa et al. .... D12/163  
D607,785 S \* 1/2010 Walter et al. .... D12/163  
D614,542 S \* 4/2010 Kasai et al. .... D12/163  
D623,565 S \* 9/2010 Cogswell ..... D12/163  
D634,676 S 3/2011 Iida  
D635,065 S \* 3/2011 Seo ..... D12/163

**FOREIGN PATENT DOCUMENTS**

EM 001226856-0001 9/2010  
EM 001226856-0002 9/2010  
EM 001242390-0003 11/2010

\* cited by examiner

(30) **Foreign Application Priority Data**  
Feb. 3, 2012 (JP) ..... 2012-002247  
(51) **LOC (9) Cl.** ..... **12-16**  
(52) **U.S. Cl.**  
USPC ..... **D12/163**  
(58) **Field of Classification Search**  
USPC ..... D12/163, 196, 171, 169, 216, 90-92,  
D12/86; 180/68.1, 68.6; 296/193.11  
See application file for complete search history.

*Primary Examiner* — Melody Brown  
(74) *Attorney, Agent, or Firm* — Global IP Counselors, LLP

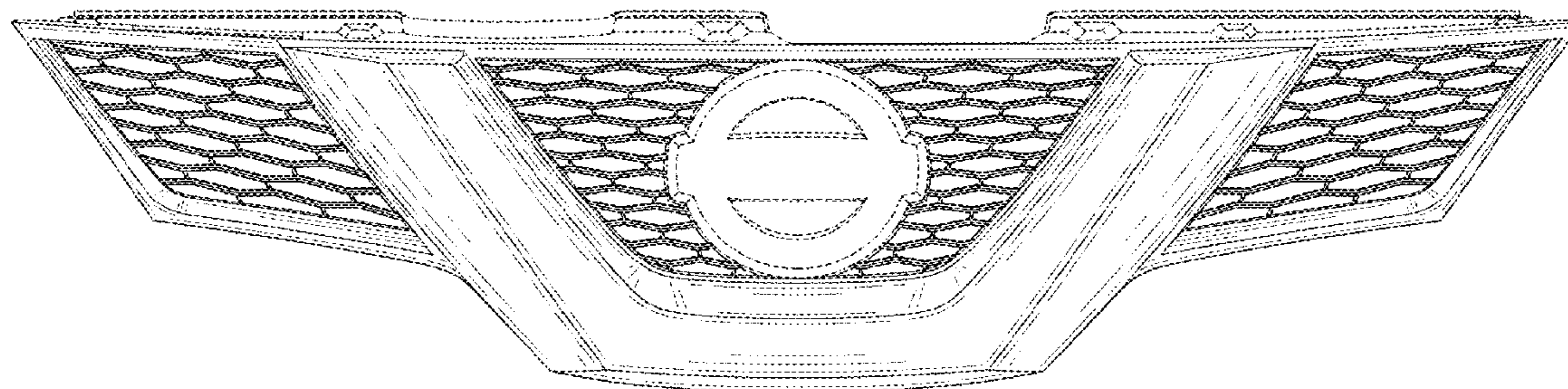
(57) **CLAIM**  
The ornamental design for a radiator grill for an automobile,  
as shown and described.

(56) **References Cited**  
**U.S. PATENT DOCUMENTS**  
D515,987 S \* 2/2006 Yamamoto ..... D12/163  
D526,943 S \* 8/2006 Wu ..... D12/163  
D537,019 S \* 2/2007 Pfeiffer ..... D12/163  
D565,478 S \* 4/2008 Abe ..... D12/163  
D575,686 S \* 8/2008 Fukui et al. .... D12/163  
D575,688 S \* 8/2008 Miyata et al. .... D12/163  
D576,086 S \* 9/2008 Ishizuka ..... D12/163  
D584,198 S \* 1/2009 Tamura ..... D12/163  
D592,111 S \* 5/2009 Janik et al. .... D12/163

**DESCRIPTION**

FIG. 1 is a front elevational view of a radiator grill for an automobile showing my new design;  
FIG. 2 is a rear elevational view thereof;  
FIG. 3 is a top plan view thereof;  
FIG. 4 is a bottom plan view thereof;  
FIG. 5 is a right side elevational view thereof;  
FIG. 6 is a left side elevational view thereof; and,  
FIG. 7 is a front perspective view thereof.  
The broken line showing of the radiator grill is for purpose of illustrating environmental structure and forms no part of the claimed design.

**1 Claim, 7 Drawing Sheets**



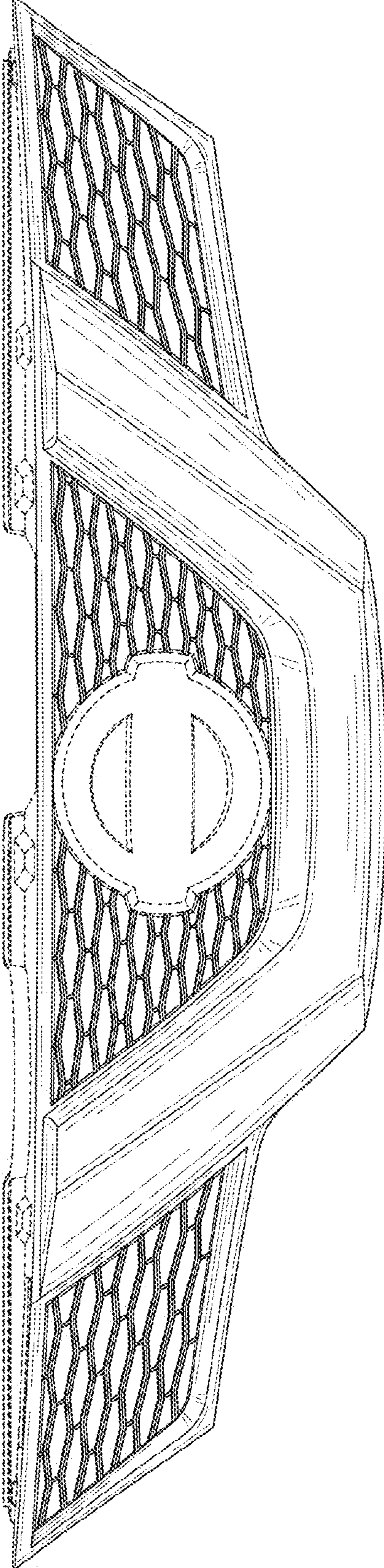


FIG. 1



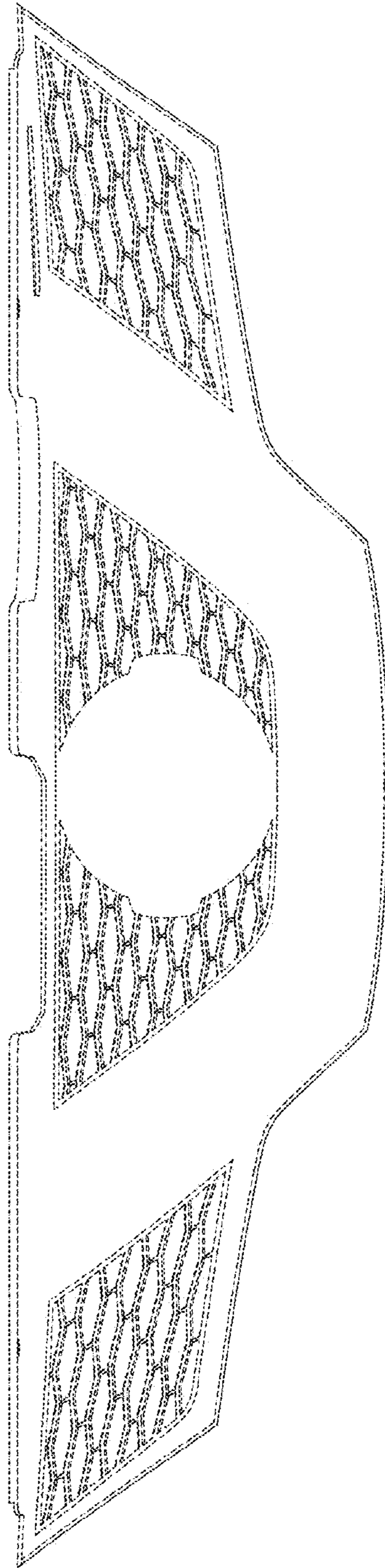


FIG. 2

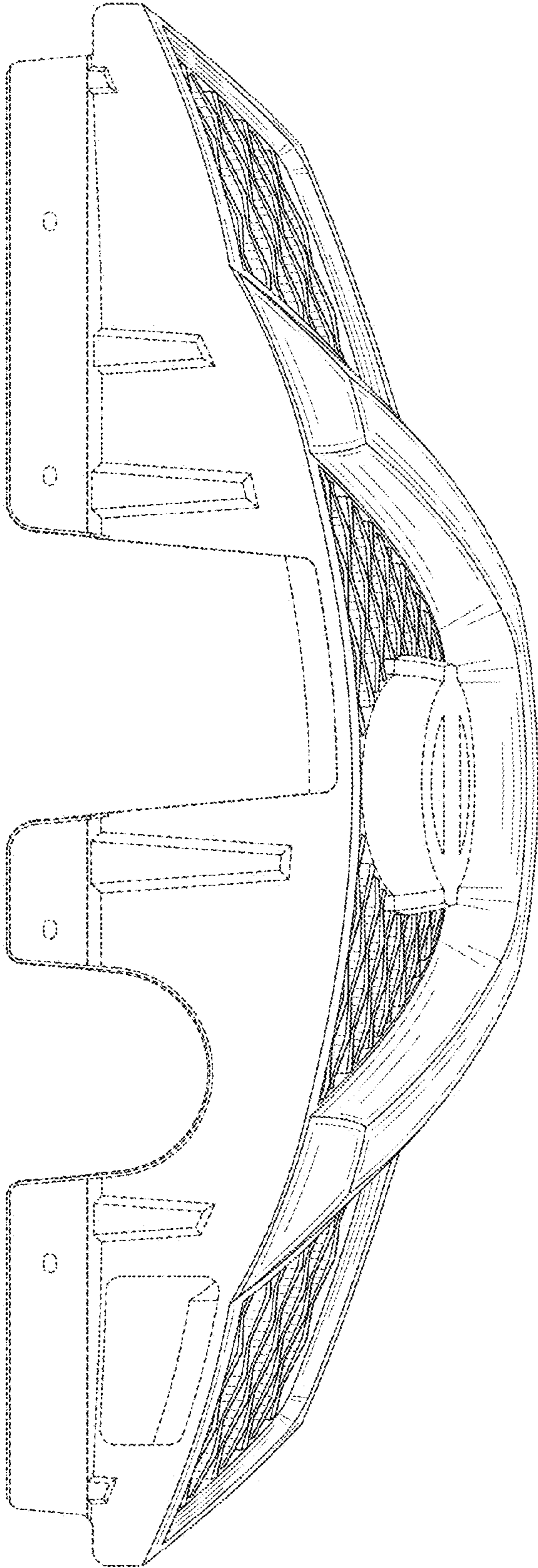


FIG. 3

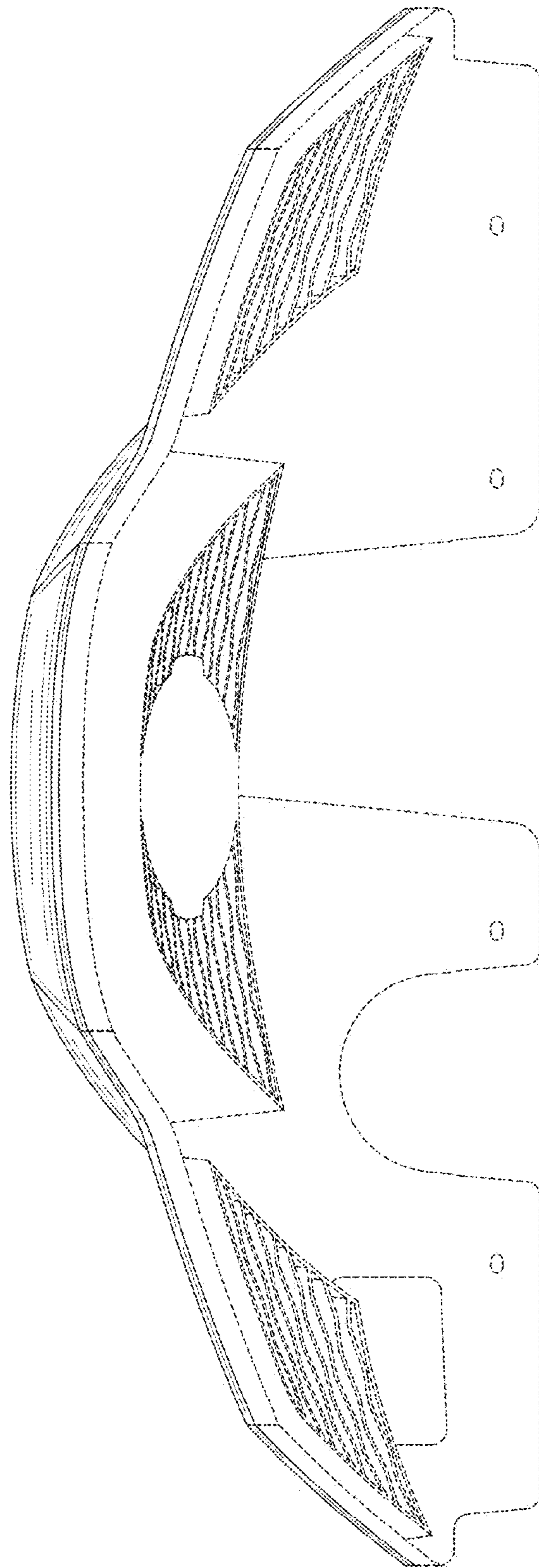


FIG. 4

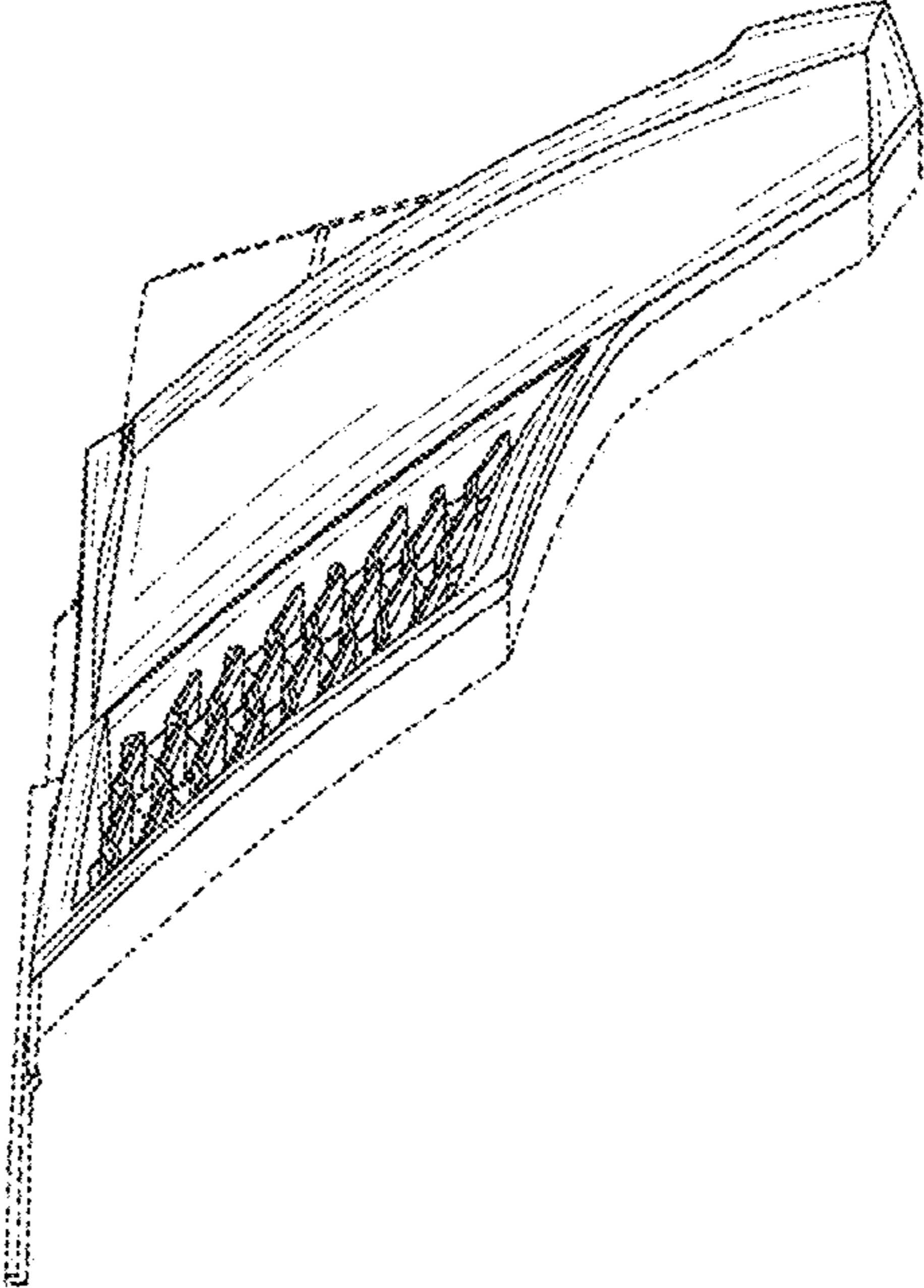


FIG. 5

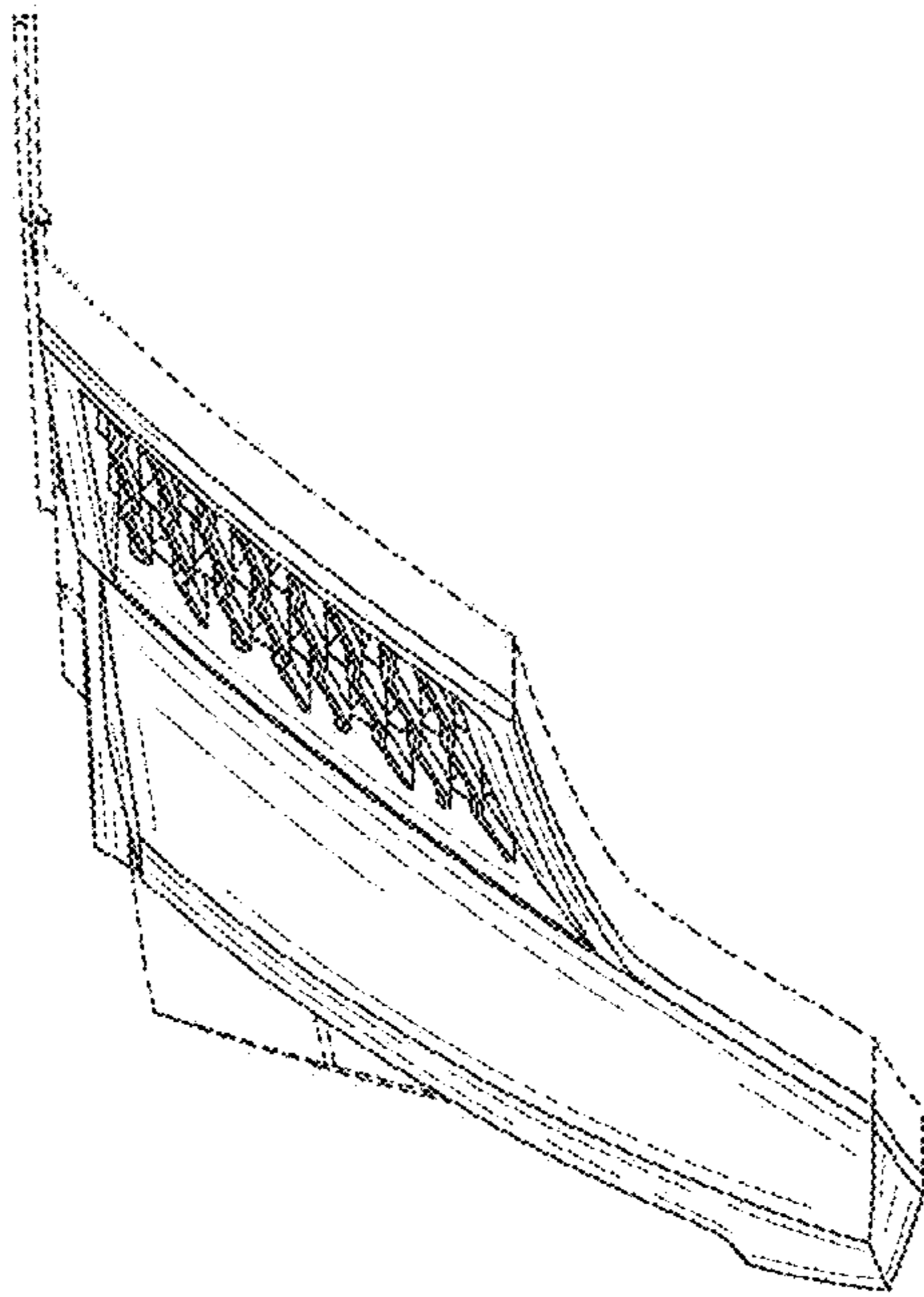


FIG. 6



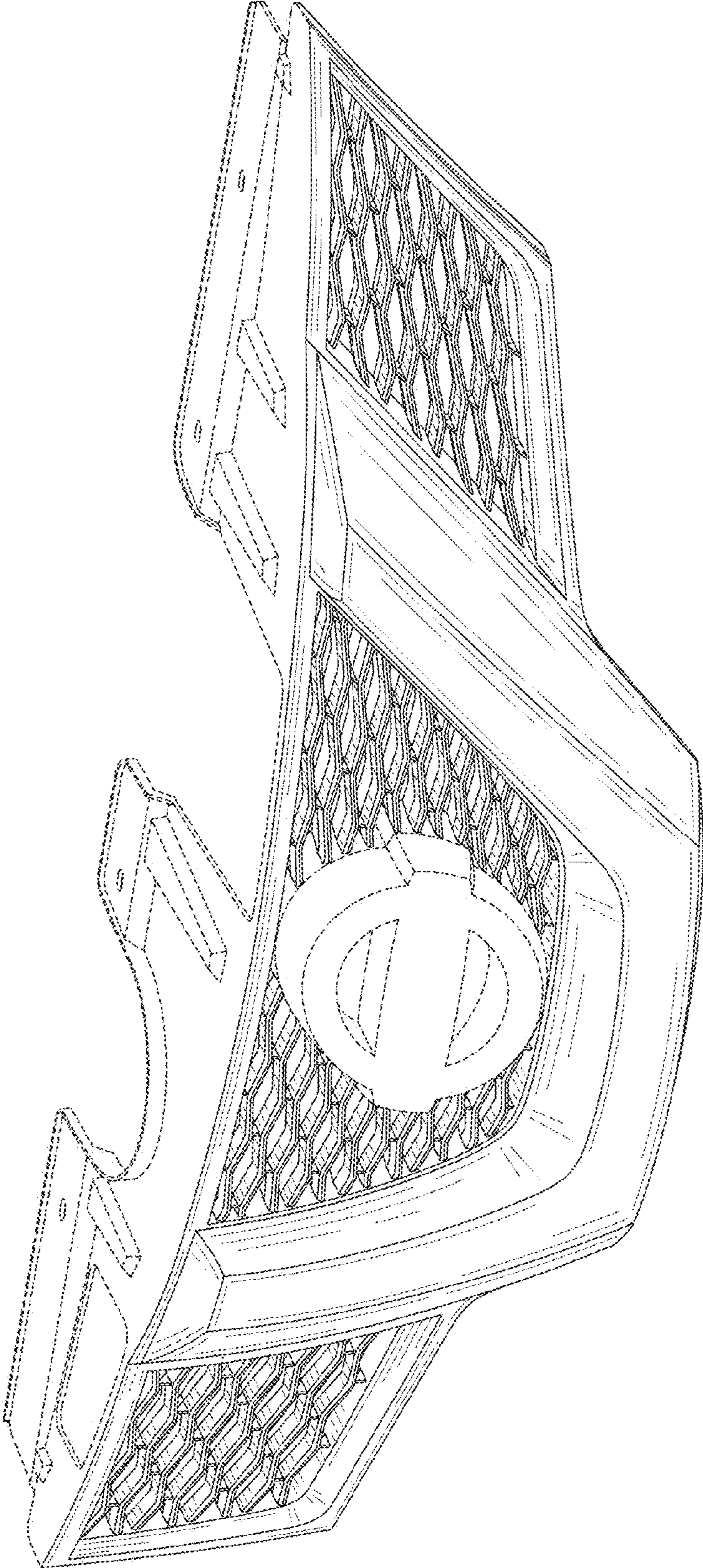


FIG. 7