



US00D686116S

(12) **United States Design Patent**
Karras et al.

(10) **Patent No.:** **US D686,116 S**
(45) **Date of Patent:** **** Jul. 16, 2013**

(54) **VEHICLE GRILLE INSERT**

(75) Inventors: **Panayiotis J. Karras**, Ferndale, MI
(US); **Hoon S Kim**, Rochester Hills, MI
(US); **Robert Hunwick**, Dearborn, MI
(US)

(73) Assignee: **GM Global Technology Operations LLC**, Detroit, MI (US)

(**) Term: **14 Years**

(21) Appl. No.: **29/382,005**

(22) Filed: **Dec. 28, 2010**

(51) **LOC (9) Cl.** **12-16**

(52) **U.S. Cl.**
USPC **D12/163**

(58) **Field of Classification Search**
USPC D12/163, 196, 171, 169, 216, 90-92,
D12/86; 180/68.1, 68.6; 296/193.11

See application file for complete search history.

(56) **References Cited**

U.S. PATENT DOCUMENTS

D523,791	S	*	6/2006	Pfeiffer	D12/163
D562,741	S	*	2/2008	Matsumoto et al.	D12/163
D580,310	S	*	11/2008	Tant et al.	D12/163
D606,460	S	*	12/2009	Richards et al.	D12/163
D608,256	S	*	1/2010	Roller	D12/163
D633,831	S	*	3/2011	Matei et al.	D12/163
D637,119	S	*	5/2011	Lamm et al.	D12/169

* cited by examiner

Primary Examiner — Melody N Brown

(74) *Attorney, Agent, or Firm* — Parks IP Law LLC; Mickki D. Murray

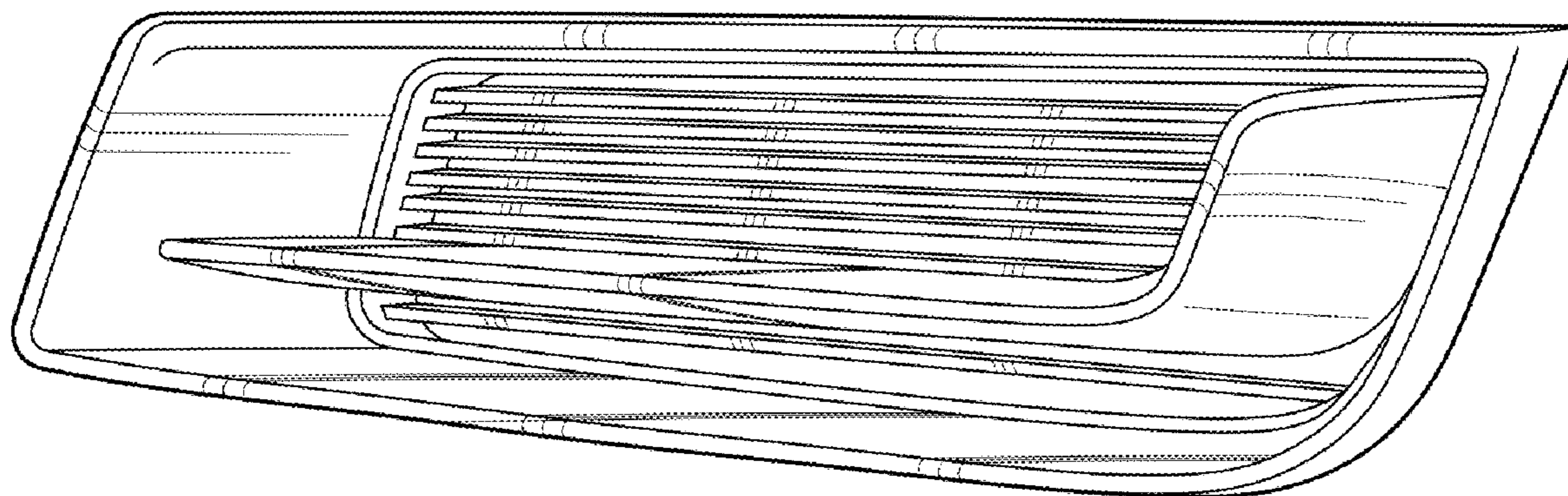
(57) **CLAIM**

The ornamental design for a vehicle grille insert, as shown and described.

DESCRIPTION

FIG. 1 is a front view of a vehicle grille insert showing the new design;
FIG. 2 is a perspective view, thereof;
FIG. 3 is a side view, thereof; and,
FIG. 4 is a top plan view, thereof.
In the figures, broken lines are for illustrative purposes only and form no part of the claimed design.

1 Claim, 1 Drawing Sheet



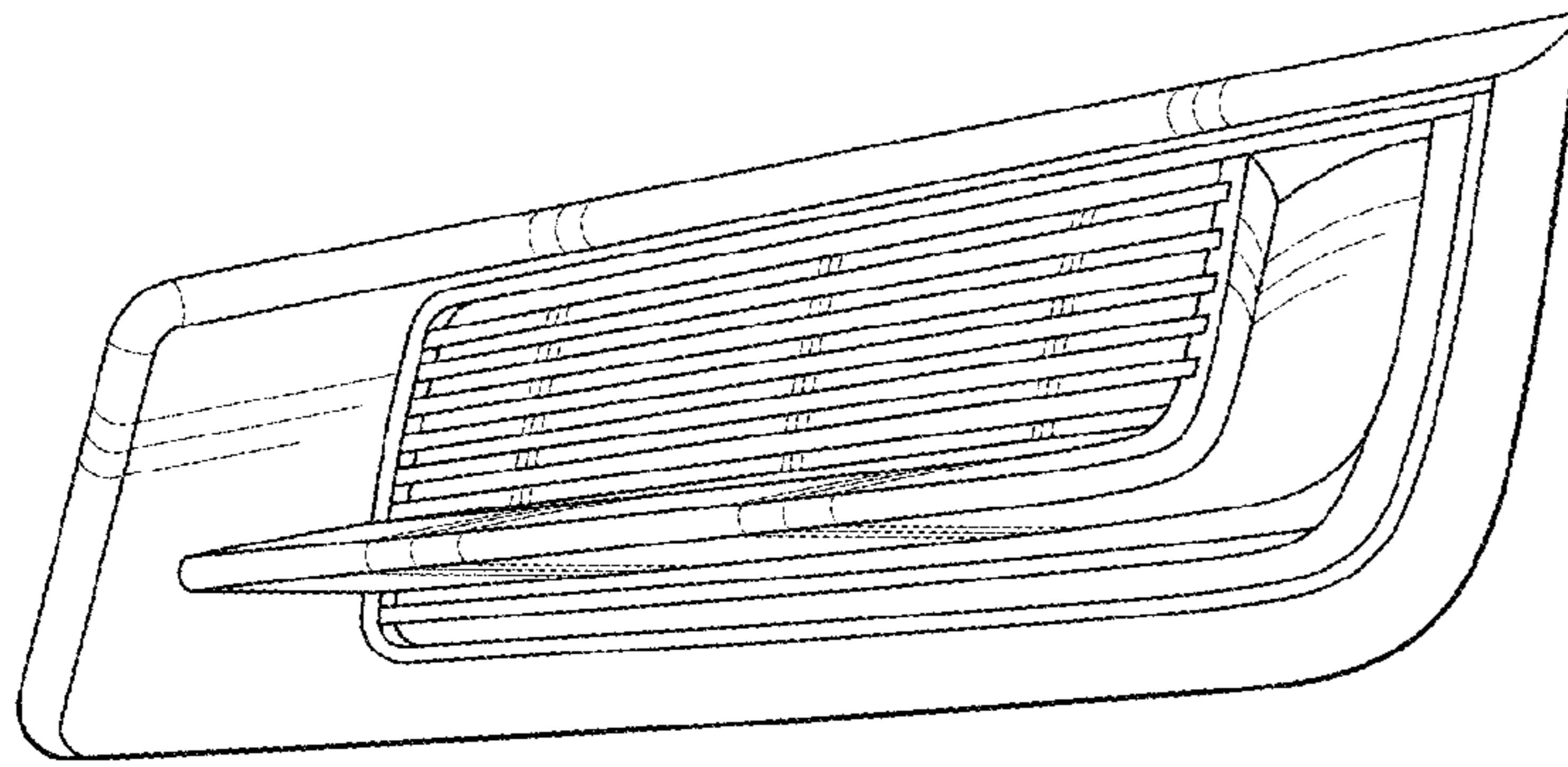


Fig-1



Fig-2

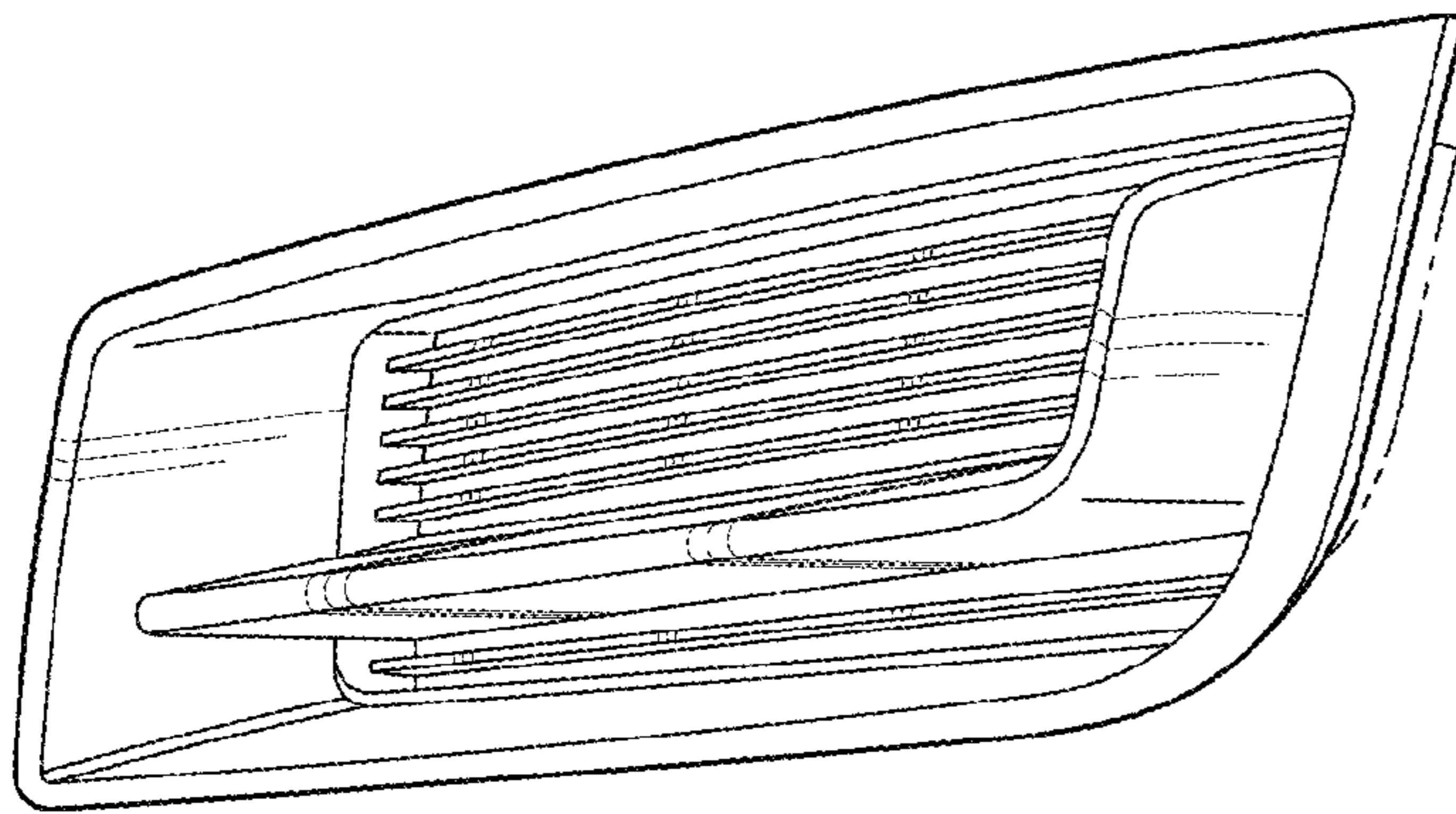


Fig-3

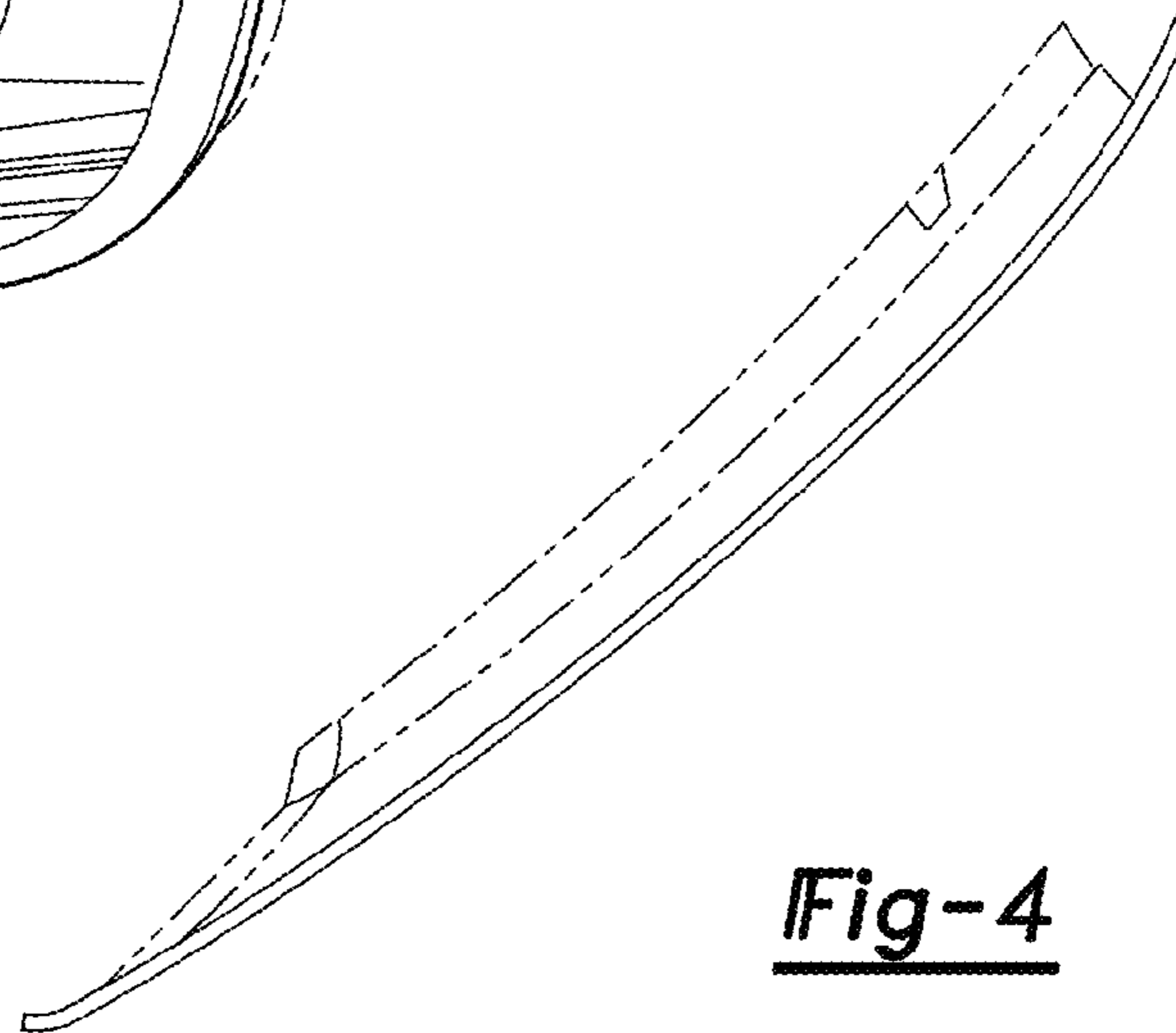


Fig-4