



US00D686112S

(12) **United States Design Patent**
Cruz

(10) **Patent No.:** **US D686,112 S**
(45) **Date of Patent:** **** Jul. 16, 2013**

(54) **MOTORCYCLE HEARSE**

(76) Inventor: **David Cruz**, Albuquerque, NM (US)

(**) Term: **14 Years**

(21) Appl. No.: **29/428,234**

(22) Filed: **Jul. 27, 2012**

(51) **LOC (9) Cl.** **12-11**

(52) **U.S. Cl.**
USPC **D12/107; D12/110**

(58) **Field of Classification Search**
USPC **D12/107, 110, 112, 116; 180/219,**
180/220, 210; 280/202, 282
See application file for complete search history.

(56) **References Cited**

U.S. PATENT DOCUMENTS

3,912,031	A	*	10/1975	Goulet	180/210
D534,839	S	*	1/2007	Martin	D12/110
D545,724	S	*	7/2007	Price	D12/110
D639,711	S	*	6/2011	Chartrand	D12/107

* cited by examiner

Primary Examiner — Susan M Lee

Assistant Examiner — Linda G Brooks

(74) *Attorney, Agent, or Firm* — Samantha A. Updegraff;
Philip D. Askenazy; Peacock Myers, P.C.

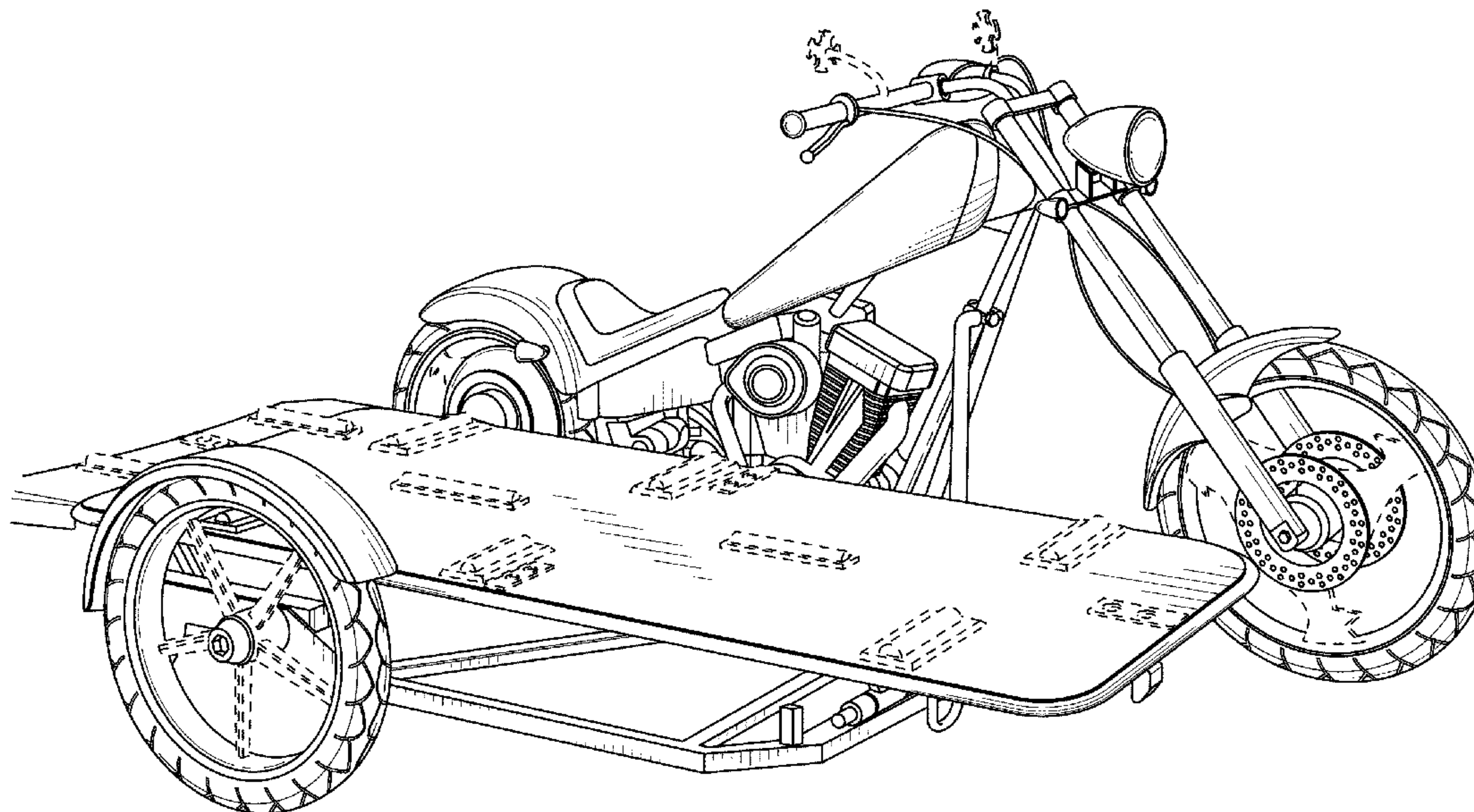
(57) **CLAIM**

The ornamental design for the motorcycle hearse, as shown and described.

DESCRIPTION

FIG. 1 is a perspective view of a motorcycle hearse showing my new design;
FIG. 2 is a front view thereof;
FIG. 3 is a back view thereof;
FIG. 4 is a right side view thereof;
FIG. 5 is a left side view thereof; and,
FIG. 6 is a top view thereof.
The broken line showing of the skid plates, rearview mirrors, and spokes are for the purpose of illustrating the environment and boundary related to the claimed design and forms no part of the claimed design.

1 Claim, 6 Drawing Sheets



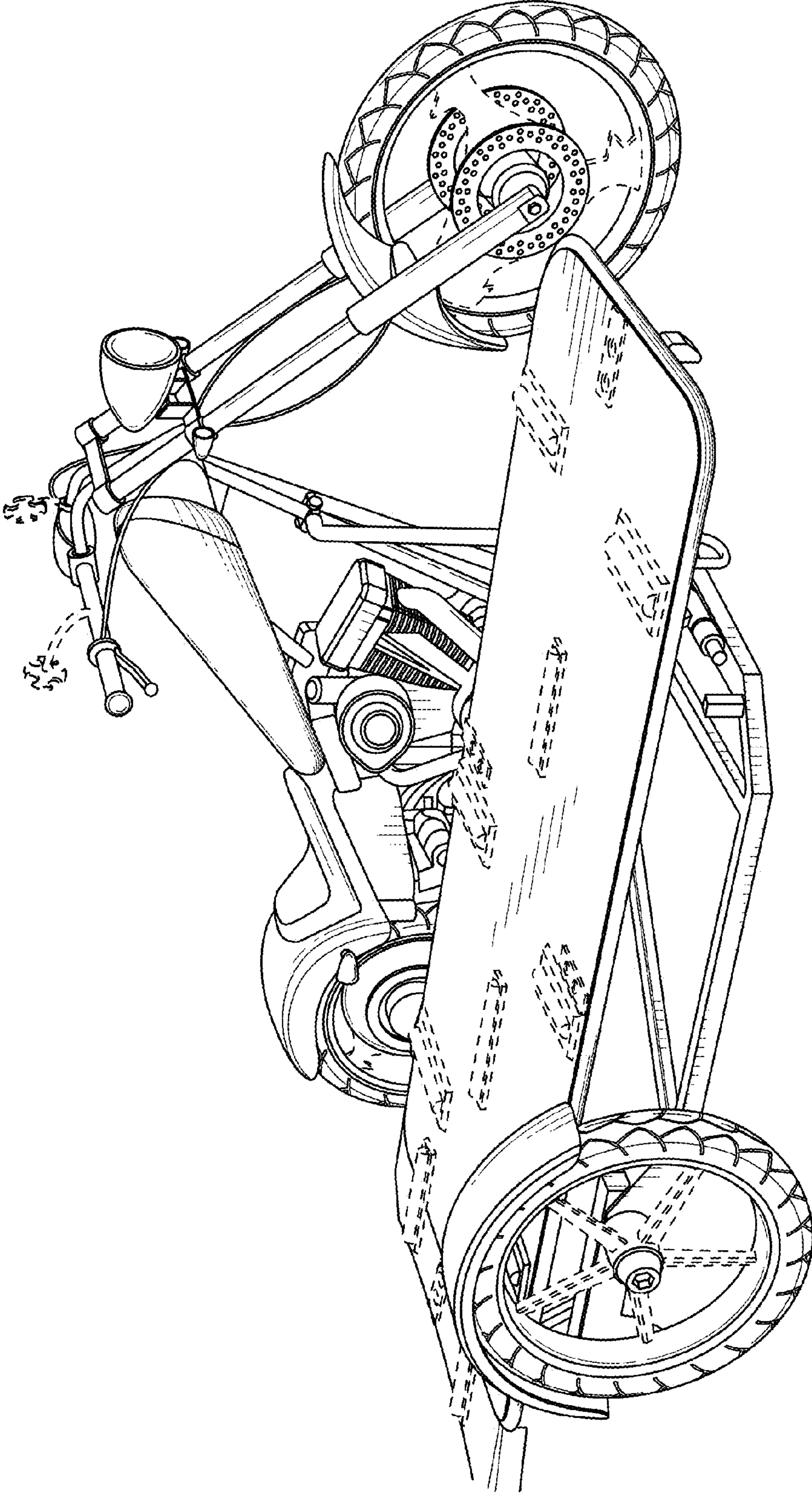


FIG. 1

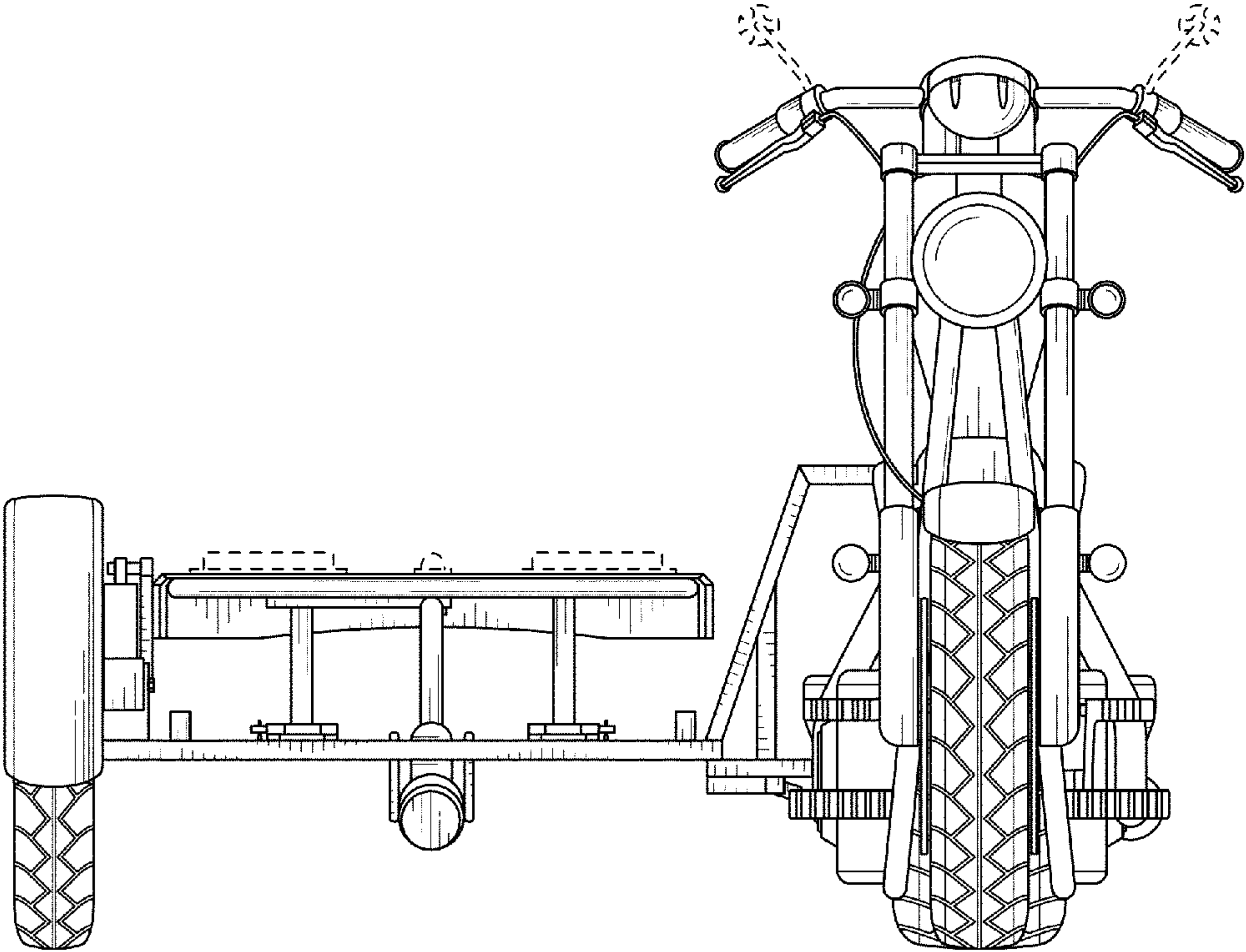


FIG. 2

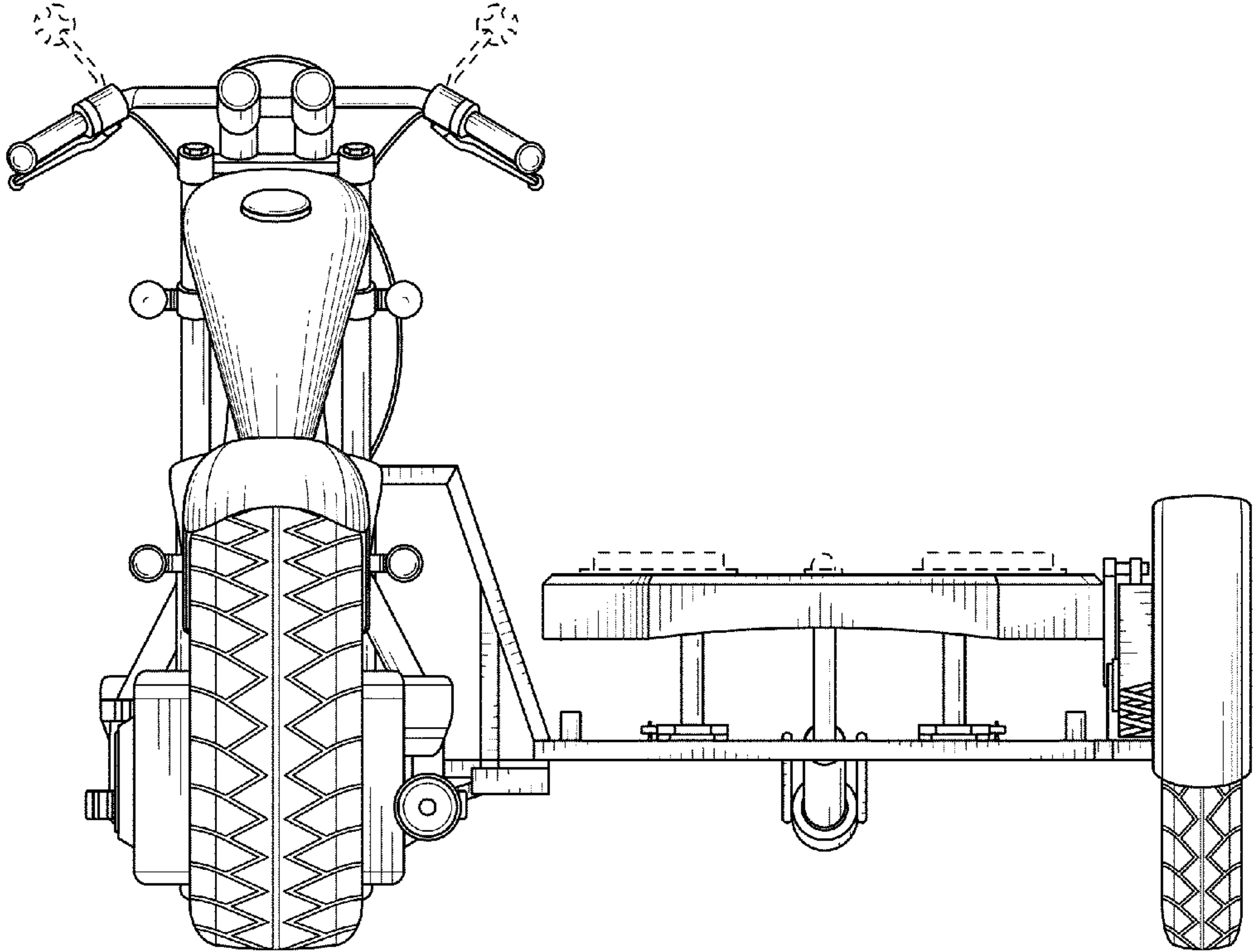


FIG. 3

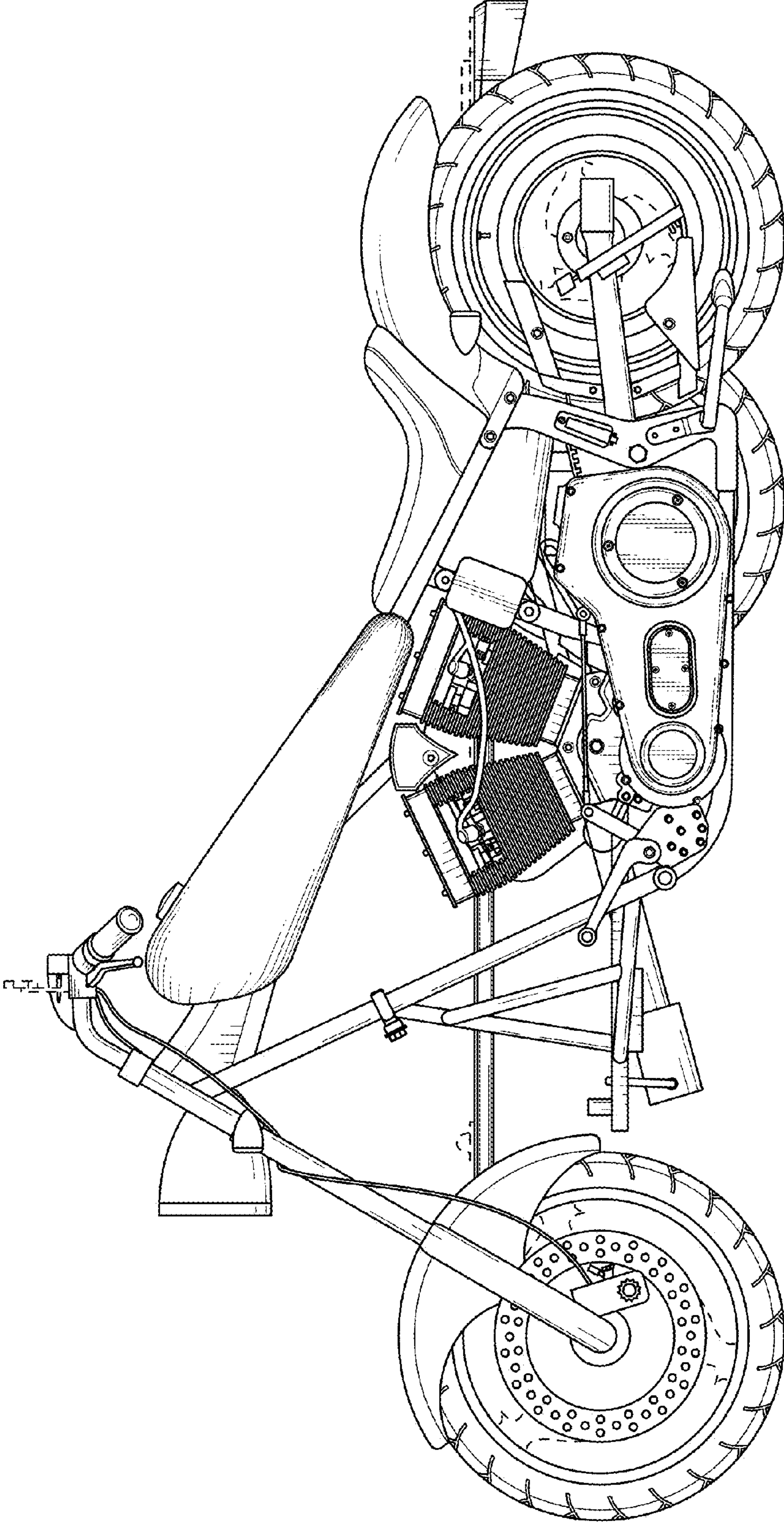


FIG. 4

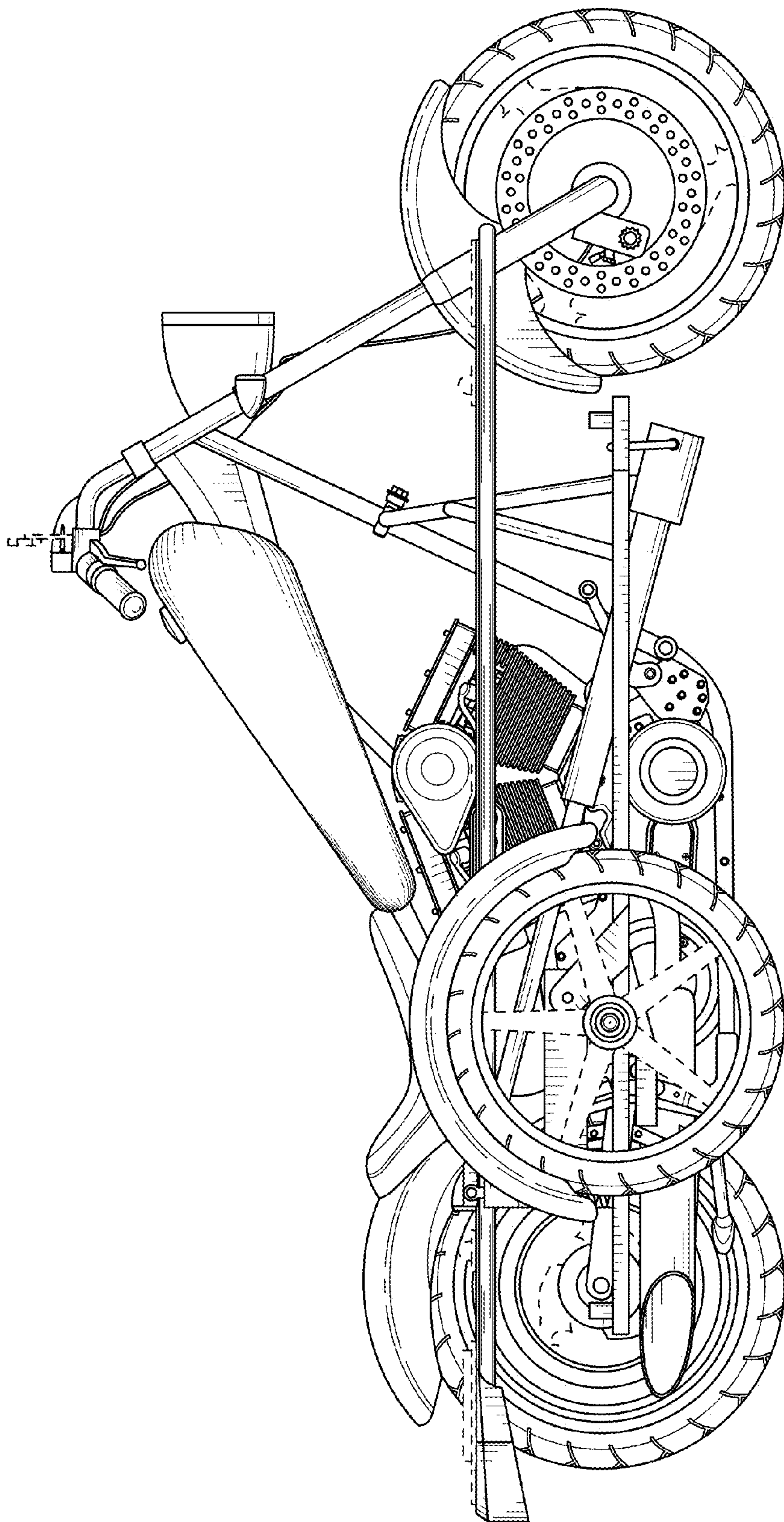


FIG. 5

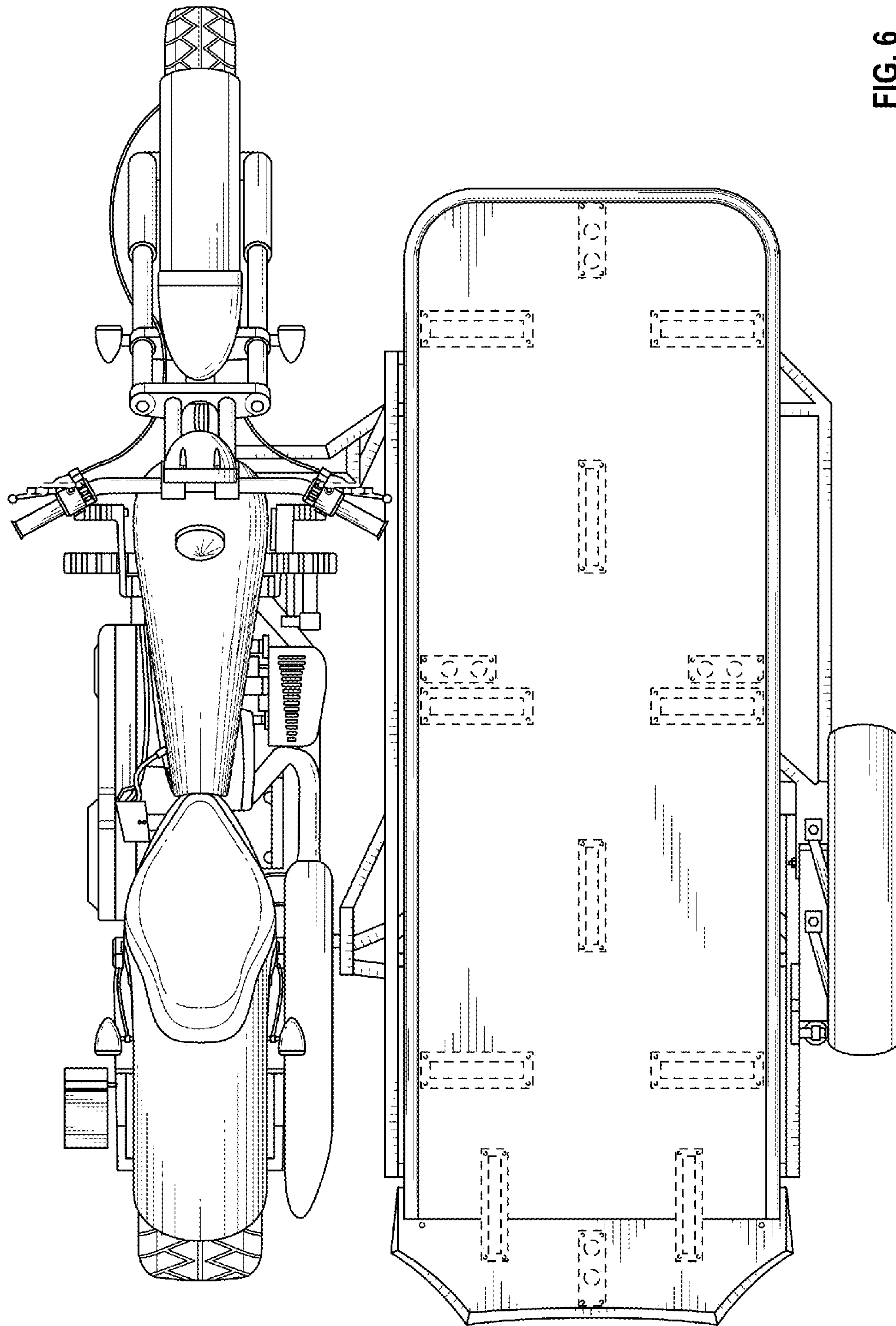


FIG. 6