



US00D686109S

(12) **United States Design Patent**  
**Iannello et al.**

(10) **Patent No.:** **US D686,109 S**  
(45) **Date of Patent:** **\*\* Jul. 16, 2013**

(54) **BUCKLE**

(56) **References Cited**

(75) Inventors: **Christopher A. J. Iannello**, Rolling Meadows, IL (US); **Michael B. Grimm**, Evanston, IL (US); **Martin J. Nilsen**, Hampshire, IL (US)

(73) Assignee: **Illinois Tool Works Inc.**, Glenview, IL (US)

(\*\*) Term: **14 Years**

(21) Appl. No.: **29/425,903**

(22) Filed: **Jun. 28, 2012**

(51) **LOC (9) Cl.** ..... **11-02**

(52) **U.S. Cl.**  
USPC ..... **D11/218**

(58) **Field of Classification Search**  
USPC ..... D11/1-2, 200-201, 203-206, 210, D11/212, 214-219, 222, 224, 226; 24/163 R, 24/169-171, 173, 177-179, 191, 194-195, 24/197, 198, 200, 698.2, 701, 702, 706.2

See application file for complete search history.

U.S. PATENT DOCUMENTS

634,014	A	*	10/1899	Molloy	.....	24/198
D100,881	S	*	8/1936	Samuels	.....	D11/218
2,807,852	A	*	10/1957	Rave	.....	24/197
3,081,506	A	*	3/1963	Higuchi	.....	24/701
D313,343	S	*	1/1991	Sachs	.....	D8/383
D314,359	S	*	2/1991	Viglianti et al.	.....	D11/212
D359,710	S	*	6/1995	Chinni et al.	.....	D11/218
D520,908	S	*	5/2006	Haymond	.....	D11/218
D631,787	S		2/2011	Grimm et al.		

\* cited by examiner

*Primary Examiner* — Ralf Seifert

(74) *Attorney, Agent, or Firm* — Mark W. Croll; Paul F. Donovan

(57) **CLAIM**

The ornamental design for a buckle, as shown and described.

**DESCRIPTION**

FIG. 1 is a perspective view of a buckle showing the new design;

FIG. 2 is a bottom view thereof;

FIG. 3 is a top view thereof;

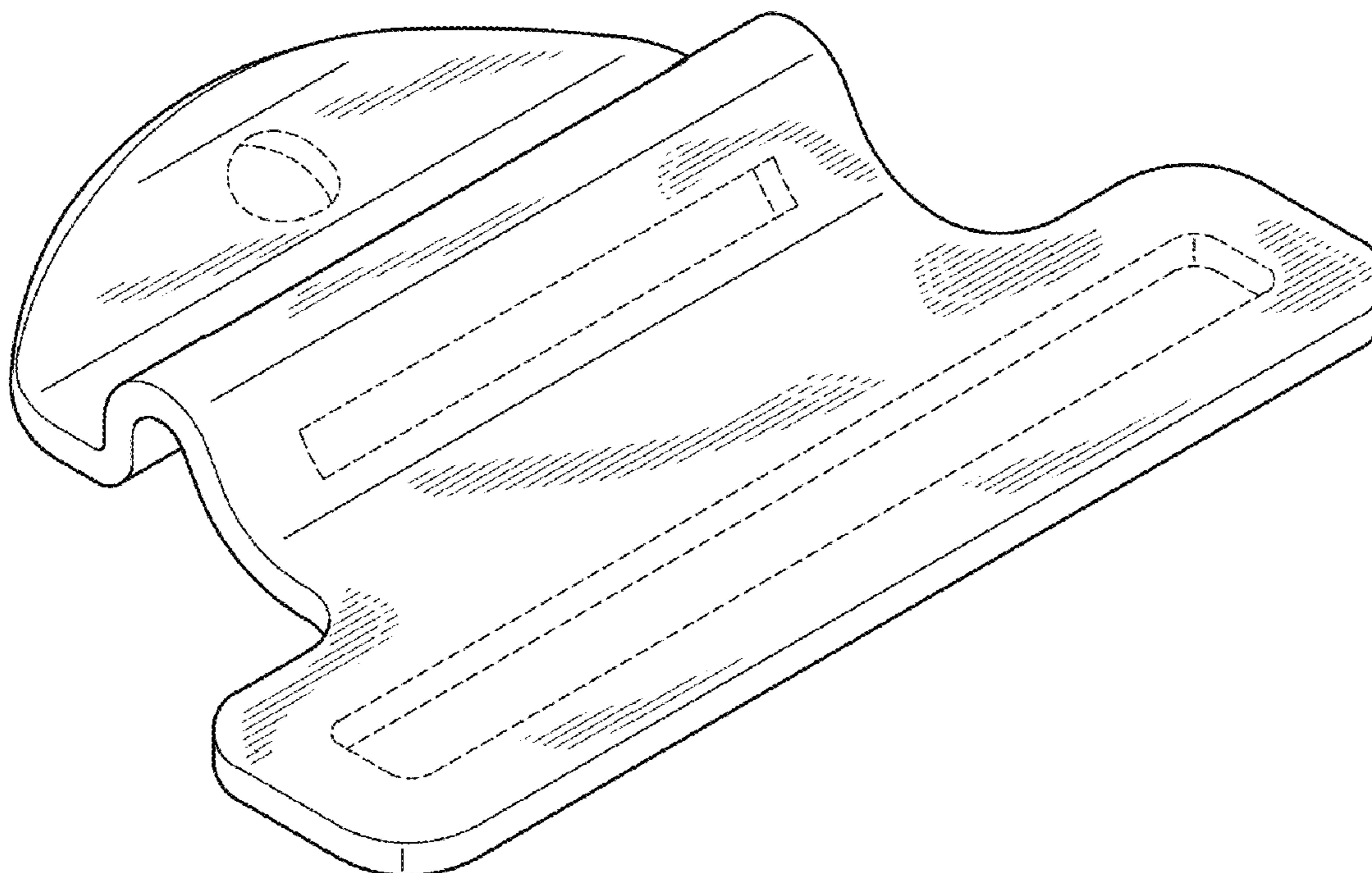
FIG. 4 is a right side view thereof;

FIG. 5 is a left side view thereof;

FIG. 6 is a front view thereof; and,

FIG. 7 is a back view thereof.

**1 Claim, 4 Drawing Sheets**



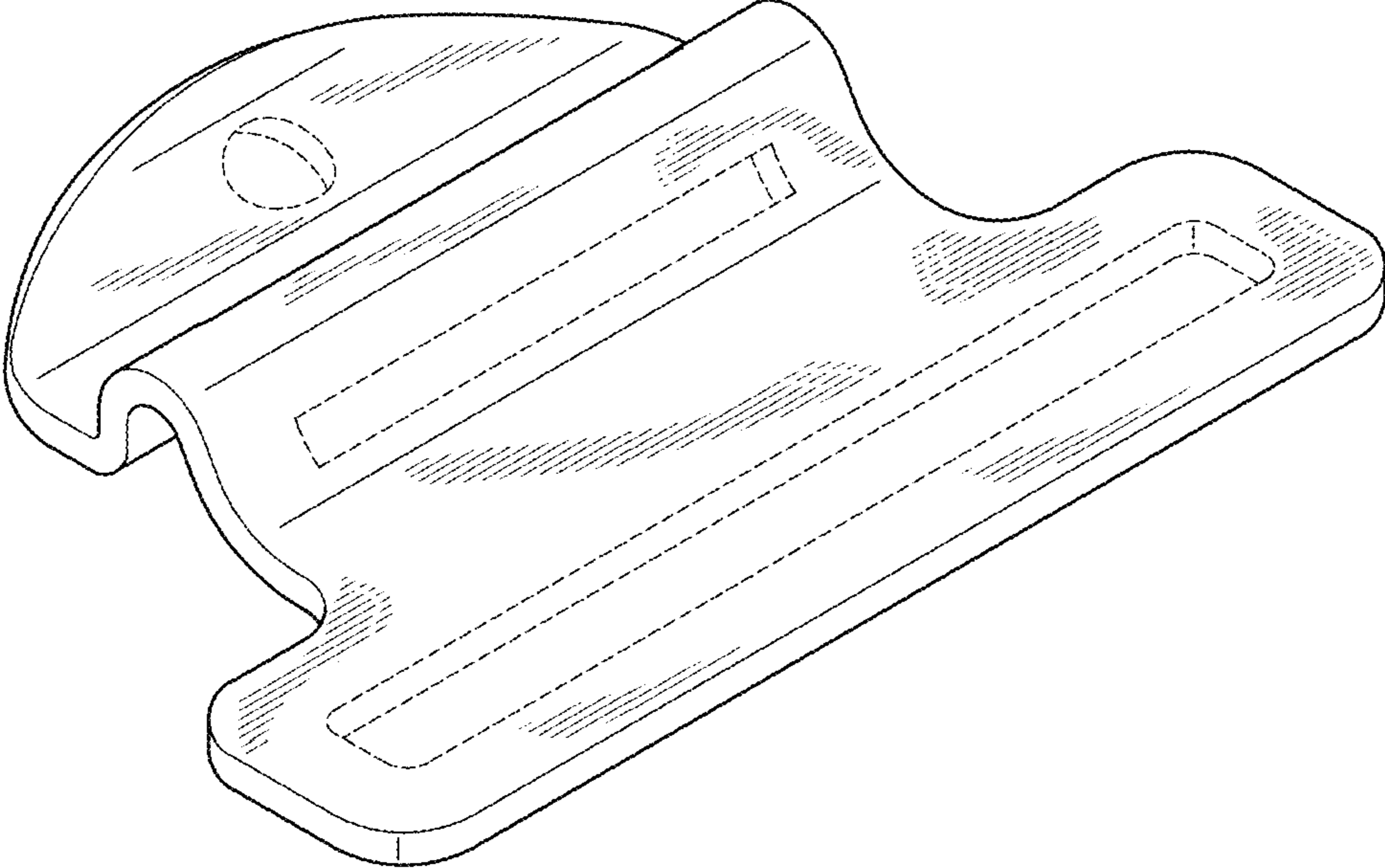


FIG. 1

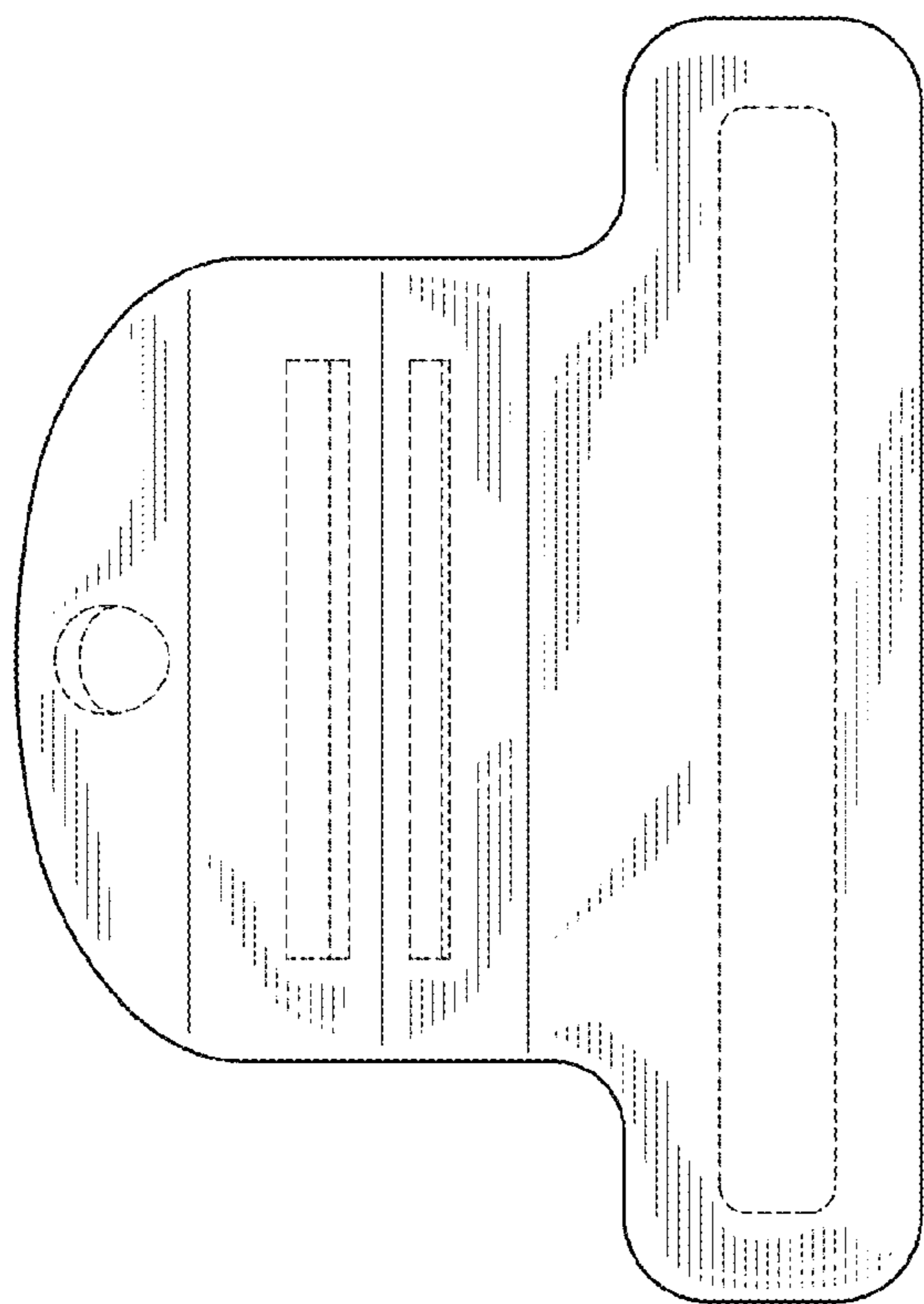


FIG. 2

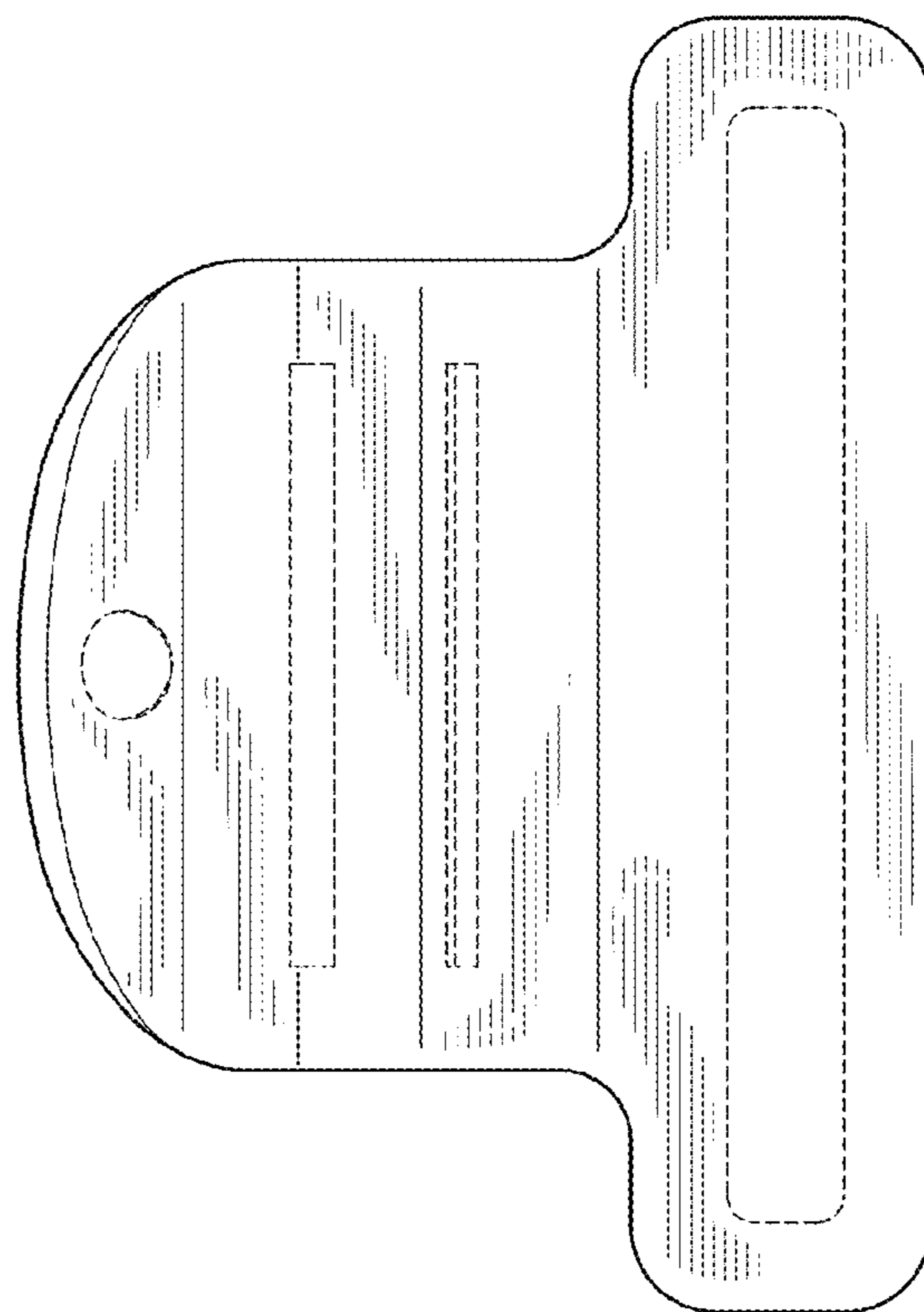


FIG. 3



FIG. 4



FIG. 5

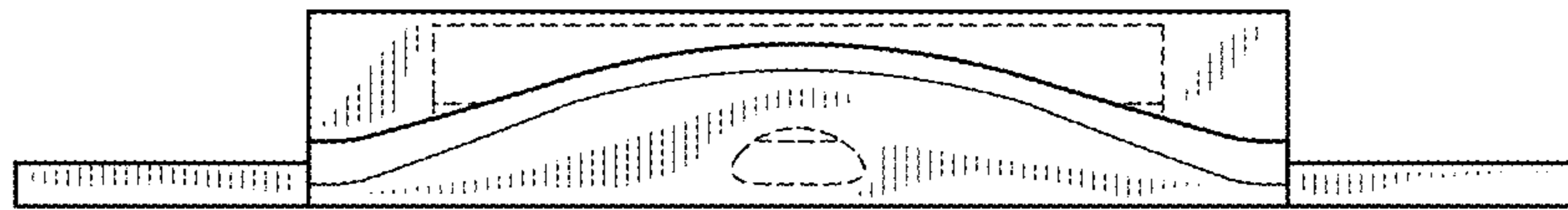


FIG. 6

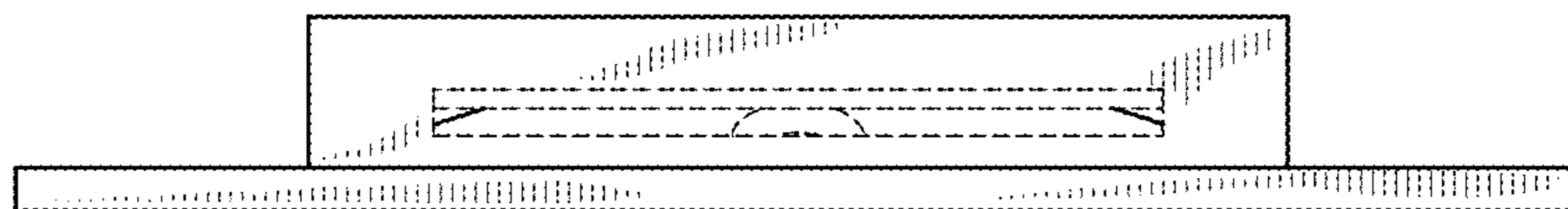


FIG. 7