



US00D686107S

(12) **United States Design Patent**
Dunn

(10) **Patent No.:** **US D686,107 S**
(45) **Date of Patent:** **** Jul. 16, 2013**

(54) **HELMET DISPLAY HOLDER FOR A CORD**

(76) Inventor: **Scott E. Dunn**, Atlanta, GA (US)

(**) Term: **14 Years**

(21) Appl. No.: **29/431,049**

(22) Filed: **Aug. 31, 2012**

(51) **LOC (9) Cl.** **11-02**

(52) **U.S. Cl.**
USPC **D11/184**

(58) **Field of Classification Search**

USPC D11/184; D8/105, 107, 333, 349,
D8/354, 356, 358, 367, 373, 382, 383, 394-396;
D23/261; D26/38; 24/197, 561; 174/153 G;
242/400.1, 405.1, 405.2, 600, 916; 248/65,
248/74.1-74.4, 214, 215, 229.26, 201, 302,
248/204, 316.7, 316.8; 439/501; D34/38;
108/57.52; D24/128

See application file for complete search history.

D542,123 S *	5/2007	Symons	D8/356
D546,998 S *	7/2007	Nunes	D26/73
D557,987 S *	12/2007	Hoehne	D7/551.1
D563,825 S *	3/2008	Cash	D11/157
D568,723 S *	5/2008	Morgan	D8/356
D585,327 S *	1/2009	Jenkins	D11/157
D589,328 S *	3/2009	Edge	D8/356
D596,670 S *	7/2009	Baker	D19/82
D600,573 S *	9/2009	Cowen et al.	D10/46.1
D629,286 S *	12/2010	Laskowski	D8/356
D629,671 S *	12/2010	Ohuri et al.	D8/356
D644,501 S *	9/2011	Chen	D8/356
D651,355 S *	12/2011	Schwabe et al.	D29/106
D653,167 S *	1/2012	Dunn	D11/184
D670,446 S *	11/2012	Norris	D29/106

* cited by examiner

Primary Examiner — T. Chase Nelson

Assistant Examiner — Michelle E Wilson

(74) *Attorney, Agent, or Firm* — Ballard Spahr LLP

(57) **CLAIM**

The ornamental design for a helmet display holder for a cord, as shown and described.

(56) **References Cited**

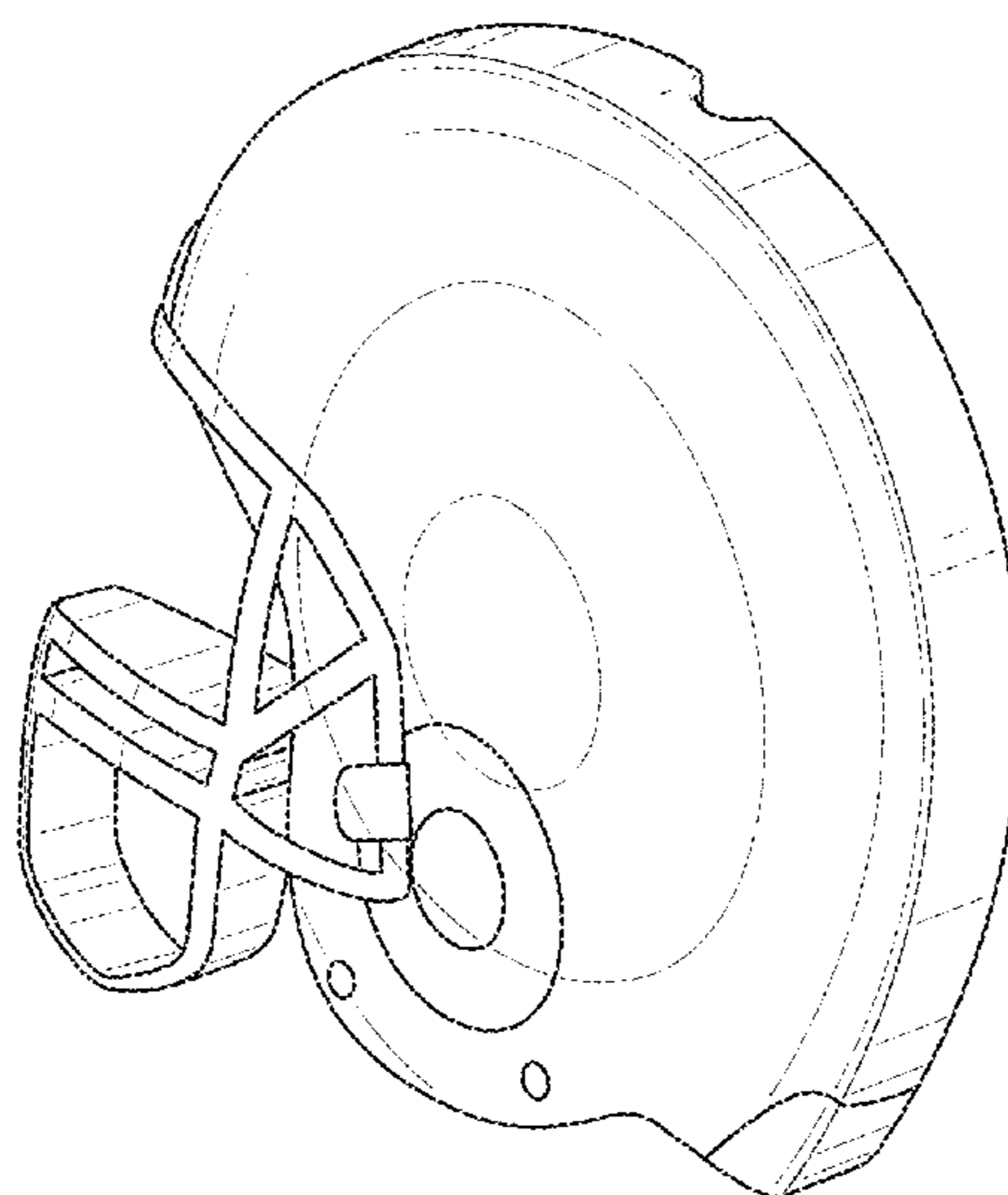
U.S. PATENT DOCUMENTS

3,576,304 A *	4/1971	Gillemot et al.	248/74.2
3,696,920 A *	10/1972	Lahay	206/370
D275,174 S *	8/1984	Rolli	D8/356
D285,044 S *	8/1986	Mockett	D8/354
D289,138 S *	4/1987	Nead	D8/356
D289,732 S *	5/1987	Jason	D8/356
D293,766 S *	1/1988	Lamb	D8/356
D308,011 S *	5/1990	Norris	D8/356
D390,066 S *	2/1998	Watkins et al.	D7/633
D420,670 S *	2/2000	Hernandez et al.	D14/232
D426,545 S *	6/2000	Smith et al.	D14/371
D436,518 S *	1/2001	Matsubara	D8/356
D441,750 S *	5/2001	Higa et al.	D14/403
D454,244 S *	3/2002	Scheff	D99/34
D456,692 S *	5/2002	Epstein	D8/356
6,392,147 B1 *	5/2002	Hier et al.	174/70 C
D490,692 S *	6/2004	Williams	D8/356
D507,508 S *	7/2005	Brownell	D11/184

DESCRIPTION

FIG. 1 is a perspective view of a helmet display holder for a cord of the present invention;
FIG. 2 is a front elevational view of the helmet display holder for a cord of FIG. 1;
FIG. 3 is a rear elevational view of the helmet display holder for a cord of FIG. 1;
FIG. 4 is a left side elevational view of the helmet display holder for a cord of FIG. 1;
FIG. 5 is a right side elevational view of the helmet display holder for a cord of FIG. 1;
FIG. 6 is a top elevational view of the helmet display holder for a cord of FIG. 1; and,
FIG. 7 is a bottom elevational view of the helmet display holder for a cord of FIG. 1.

1 Claim, 5 Drawing Sheets



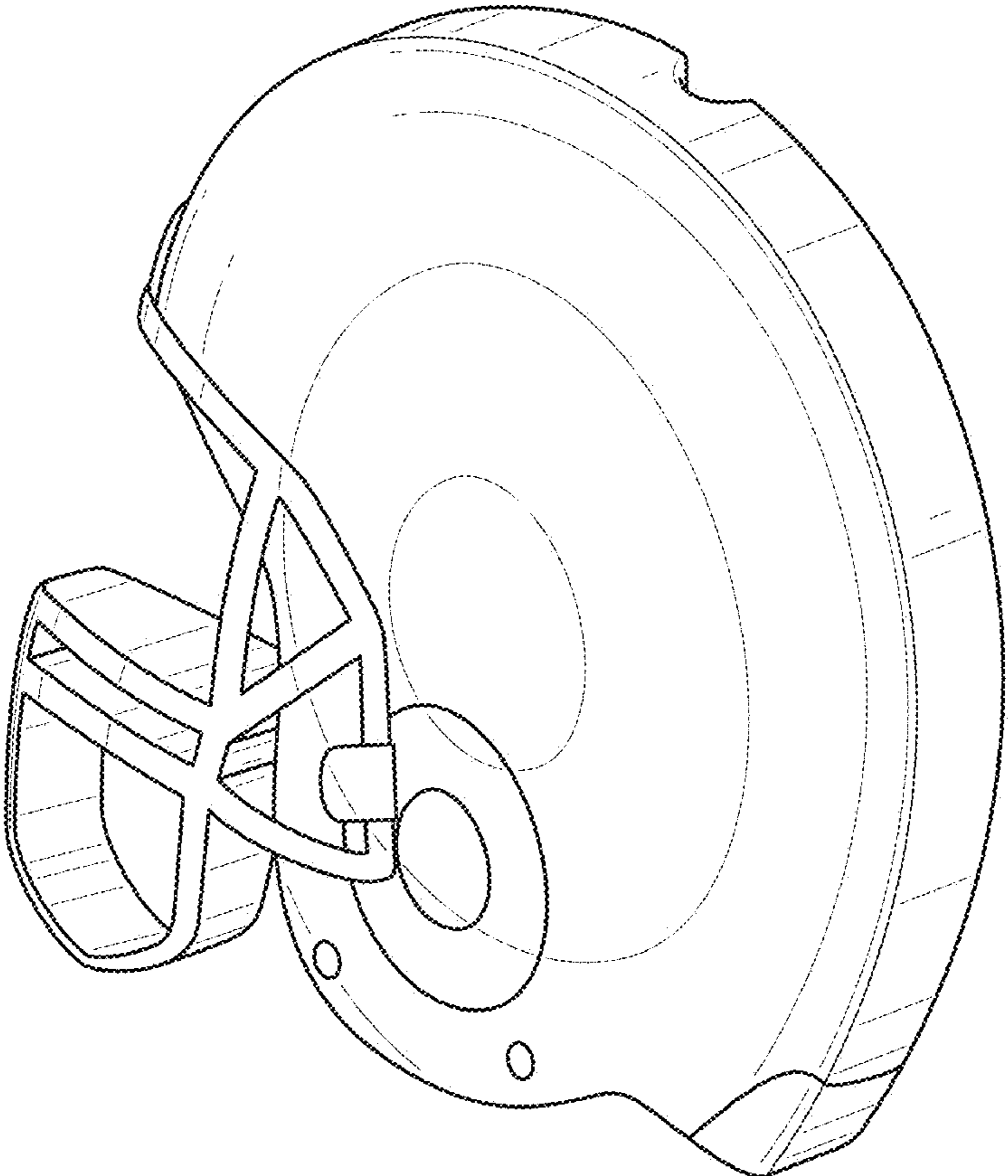


FIG. 1

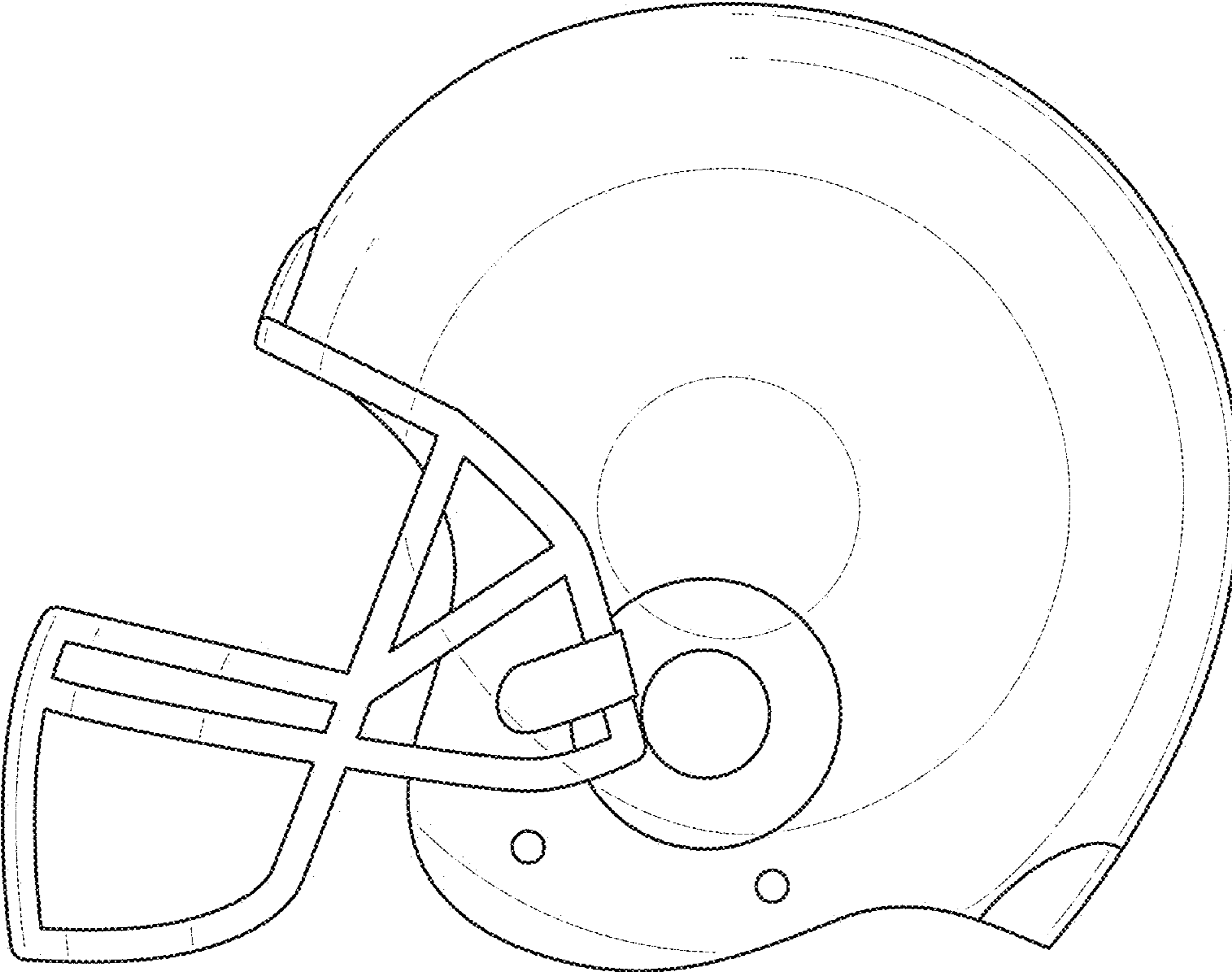


FIG. 2

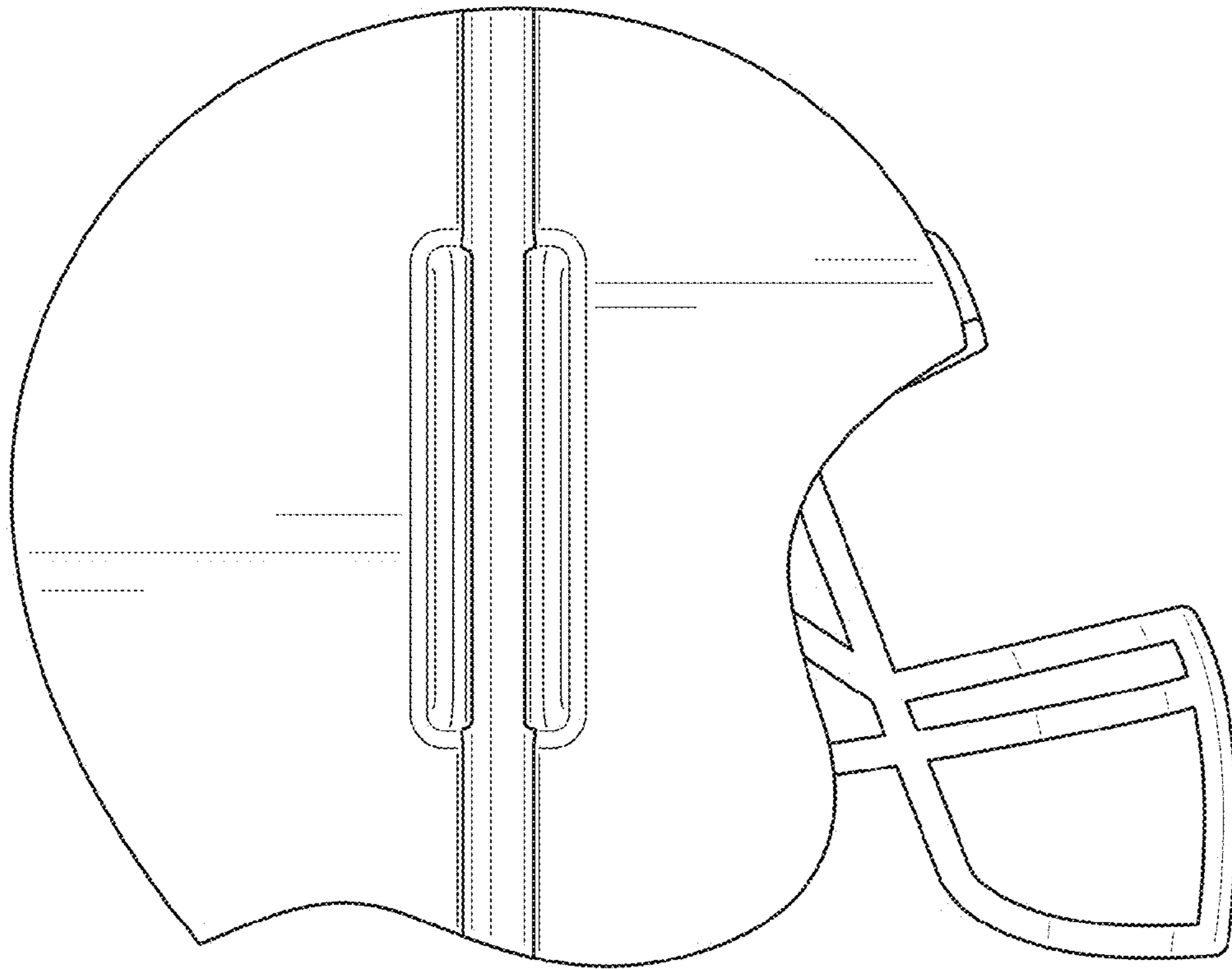


FIG. 3

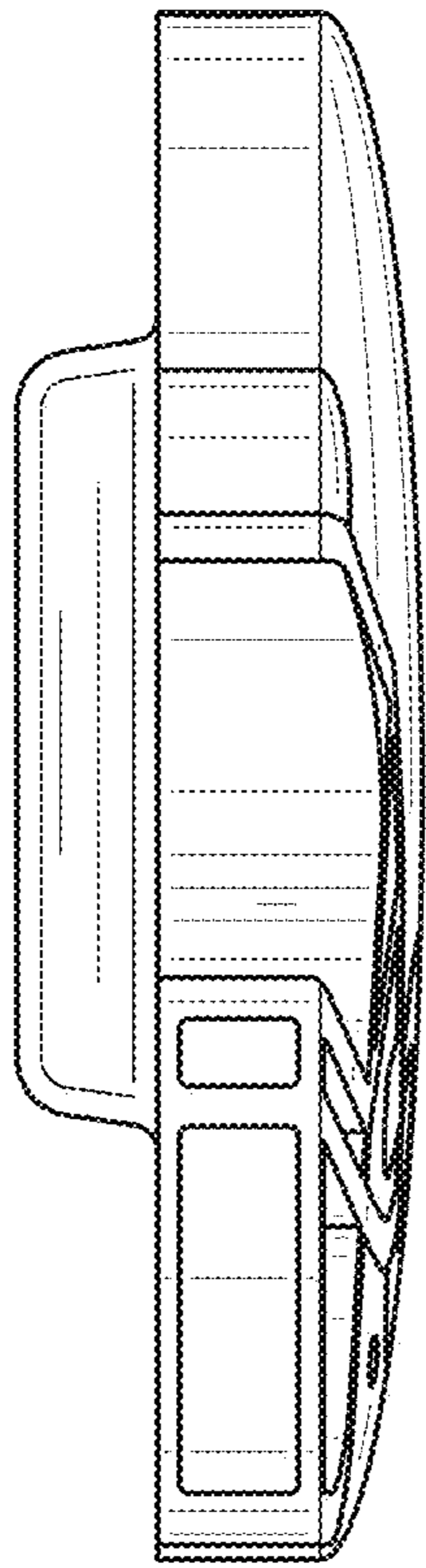


FIG. 4

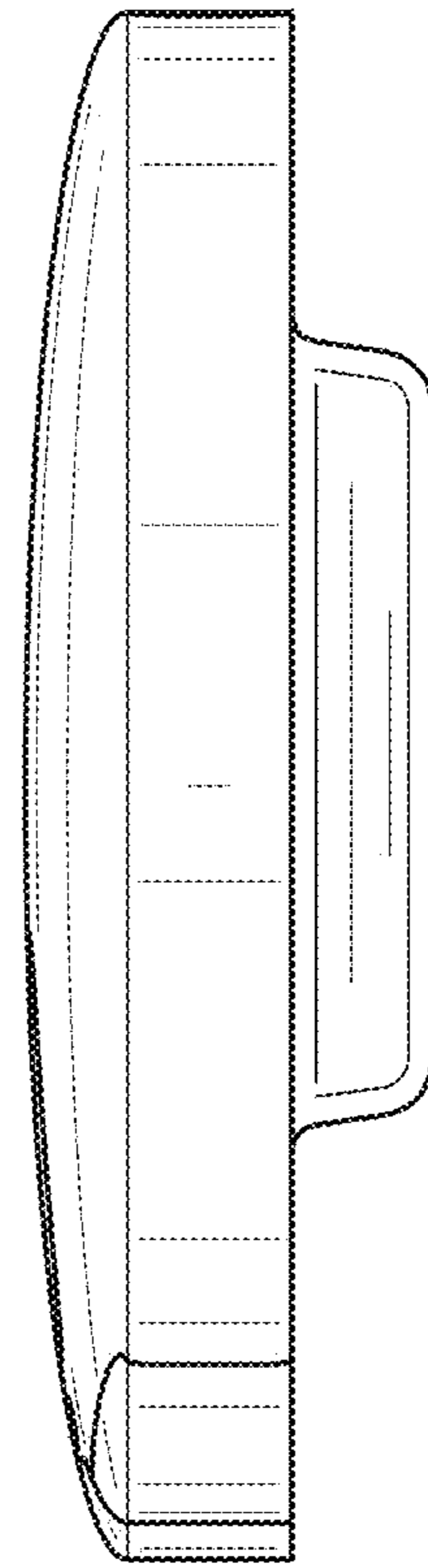


FIG. 5

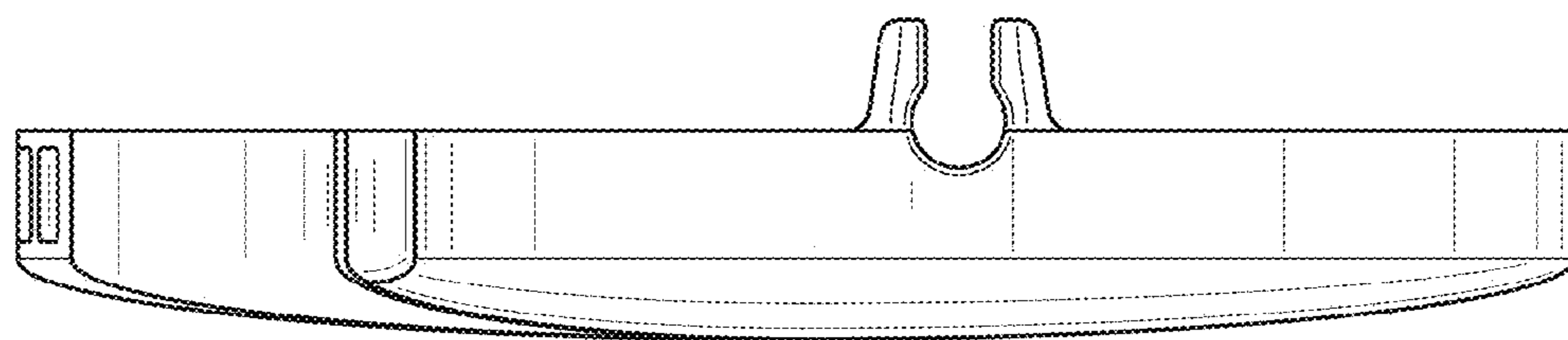


FIG. 6

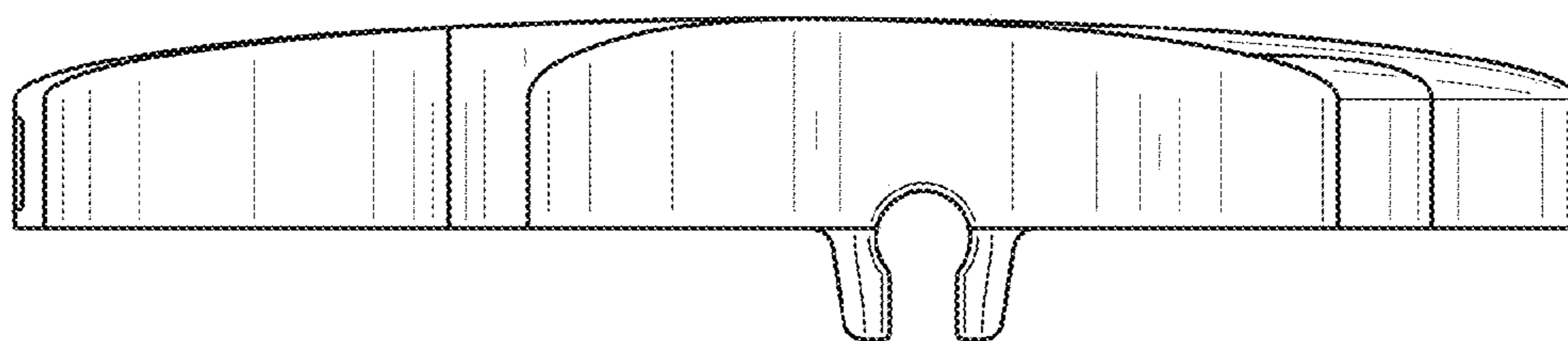


FIG. 7