



US00D686099S

(12) **United States Design Patent**
Sayegh et al.

(10) **Patent No.:** **US D686,099 S**
(45) **Date of Patent:** **** Jul. 16, 2013**

(54) **LANYARD THEFT DETERRENT APPARATUS**

(75) Inventors: **Adel O. Sayegh**, Rancho Cucamonga, CA (US); **Edgardo M. Redublo**, Chino Hills, CA (US); **Lixin Yan**, Hangzhou (CN)

(73) Assignee: **Universal Surveillance Systems, LLC**, Rancho Cucamonga, CA (US)

(**) Term: **14 Years**

(21) Appl. No.: **29/430,274**

(22) Filed: **Aug. 23, 2012**

(51) **LOC (9) Cl.** **10-05**

(52) **U.S. Cl.**
USPC **D10/106.93**

(58) **Field of Classification Search**
USPC .. D10/106.9-16.94, 113.1, 106.8; 340/572.1, 340/572.3, 572.7-572.9; 70/57, 57.1, 58-59; 343/705; D8/330-348; D13/107, 103
See application file for complete search history.

(56) **References Cited**

U.S. PATENT DOCUMENTS

D389,031 S * 1/1998 Lam D8/333
D448,273 S * 9/2001 Lai D8/333
D502,419 S * 3/2005 Copen D10/106.94

D599,242 S * 9/2009 Yang D10/106.94
D609,125 S * 2/2010 Perez D10/106.9
D628,924 S * 12/2010 Sayegh et al. D10/106.93

* cited by examiner

Primary Examiner — George D Kirschbaum

(74) *Attorney, Agent, or Firm* — Milord A. Keshishian

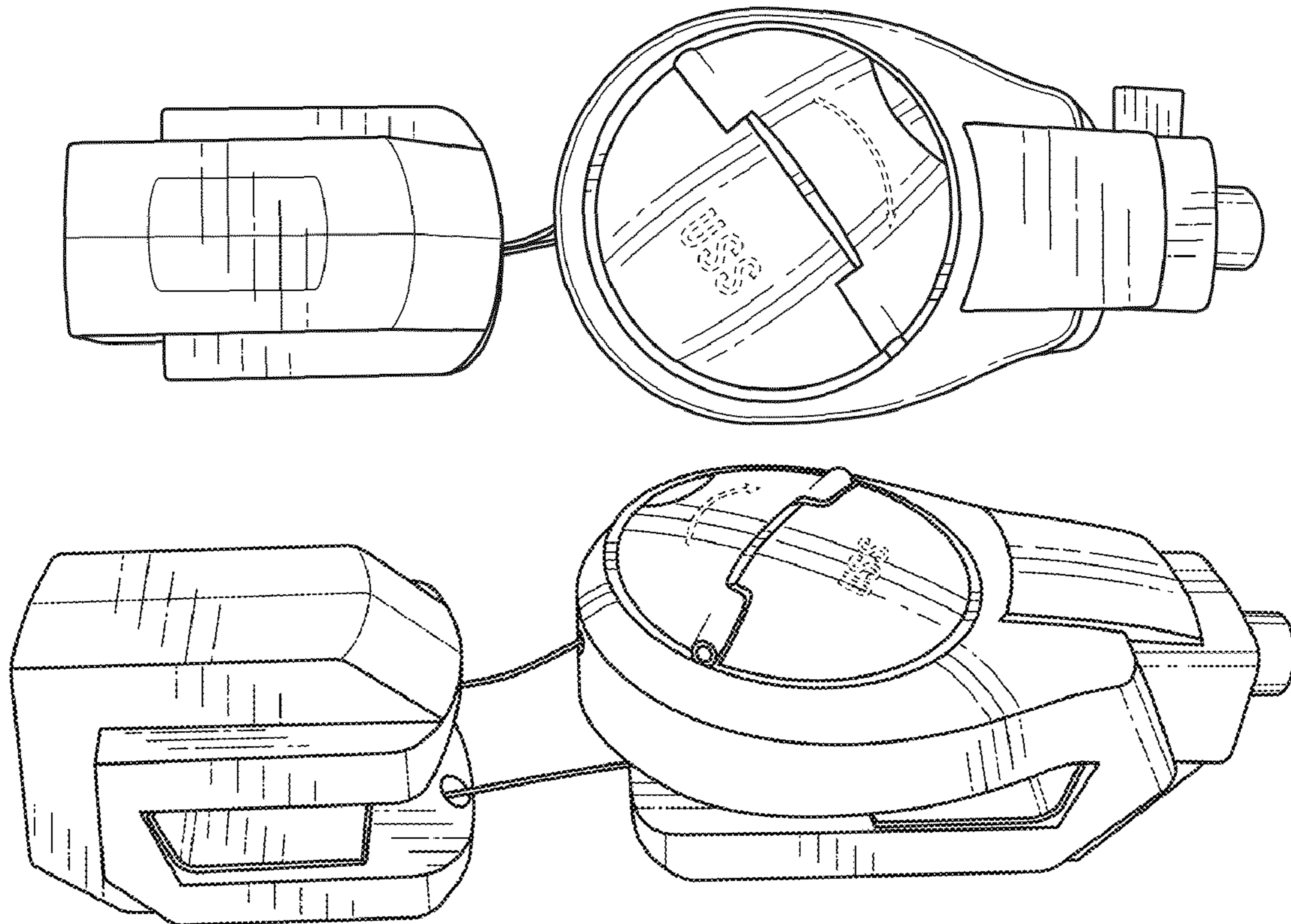
(57) **CLAIM**

The ornamental design for a lanyard theft deterrent apparatus, as shown and described.

DESCRIPTION

FIG. 1 is a top plan view of a lanyard theft deterrent apparatus; FIG. 2 is a bottom plan view of the apparatus; FIG. 3 is a top plan view of a theft deterrent apparatus with the retraction handle raised; FIG. 4 is a left hand top perspective view of the apparatus; FIG. 5 is a left side elevational view of the apparatus; FIG. 6 is a front end right side perspective view of the apparatus; FIG. 7 is a front end right side bottom perspective view of the apparatus; and, FIG. 8 is a rear end right side bottom perspective view of the apparatus, wherein the left side view is a mirror image.

1 Claim, 4 Drawing Sheets



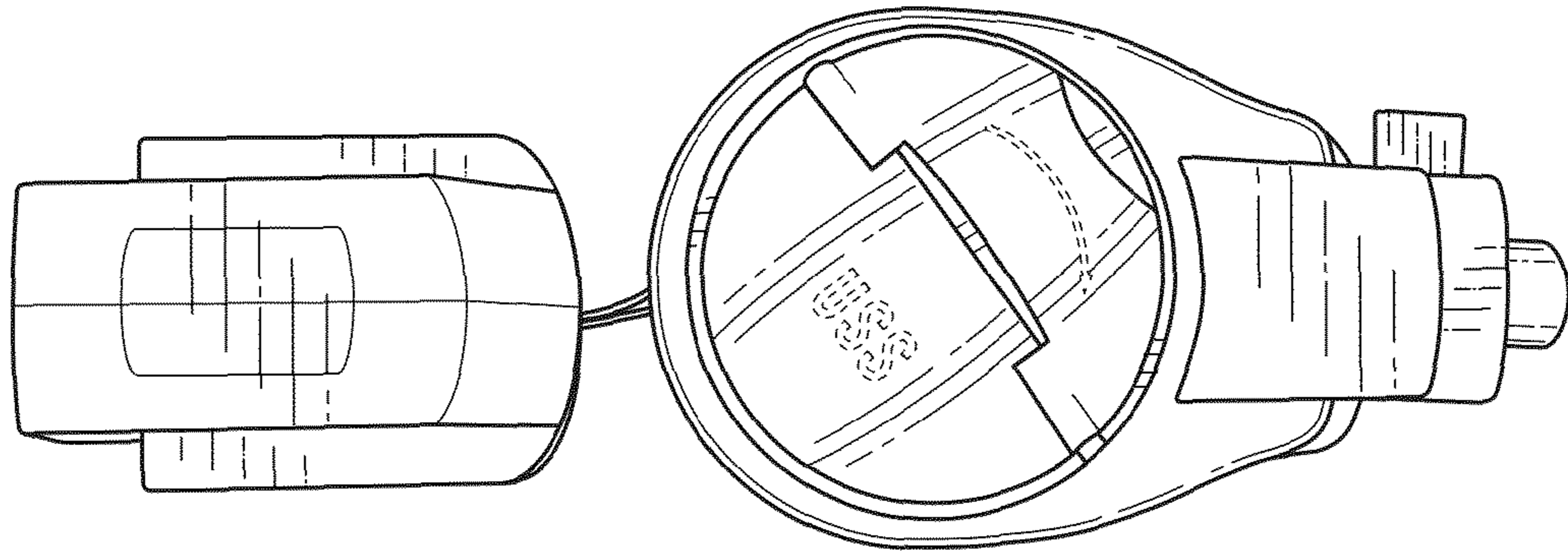


FIG. 1

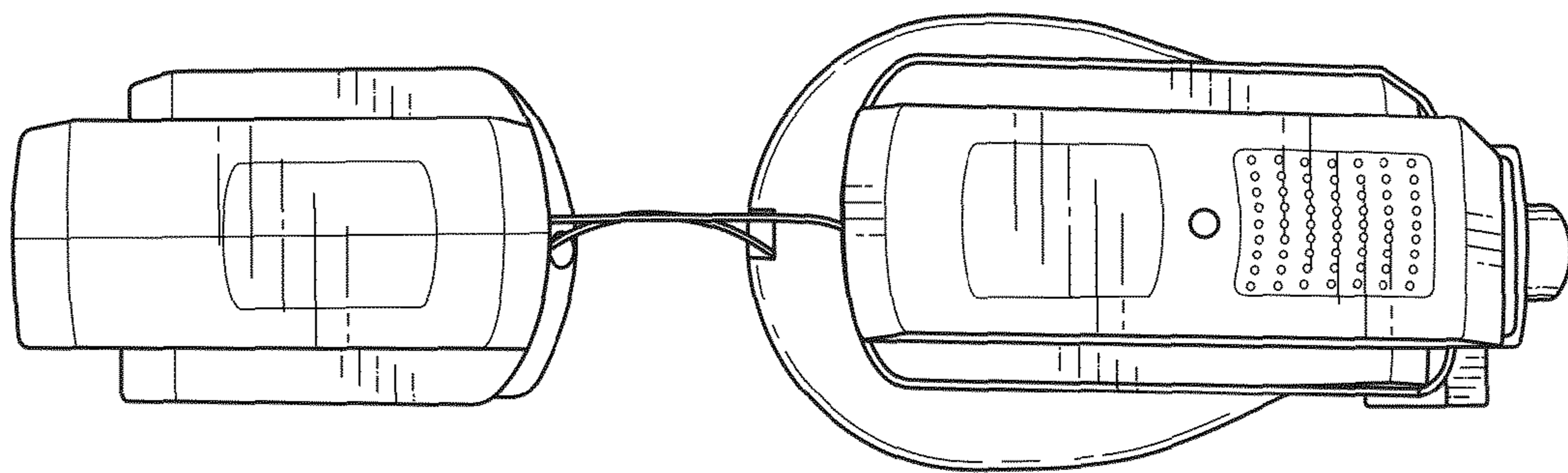


FIG. 2

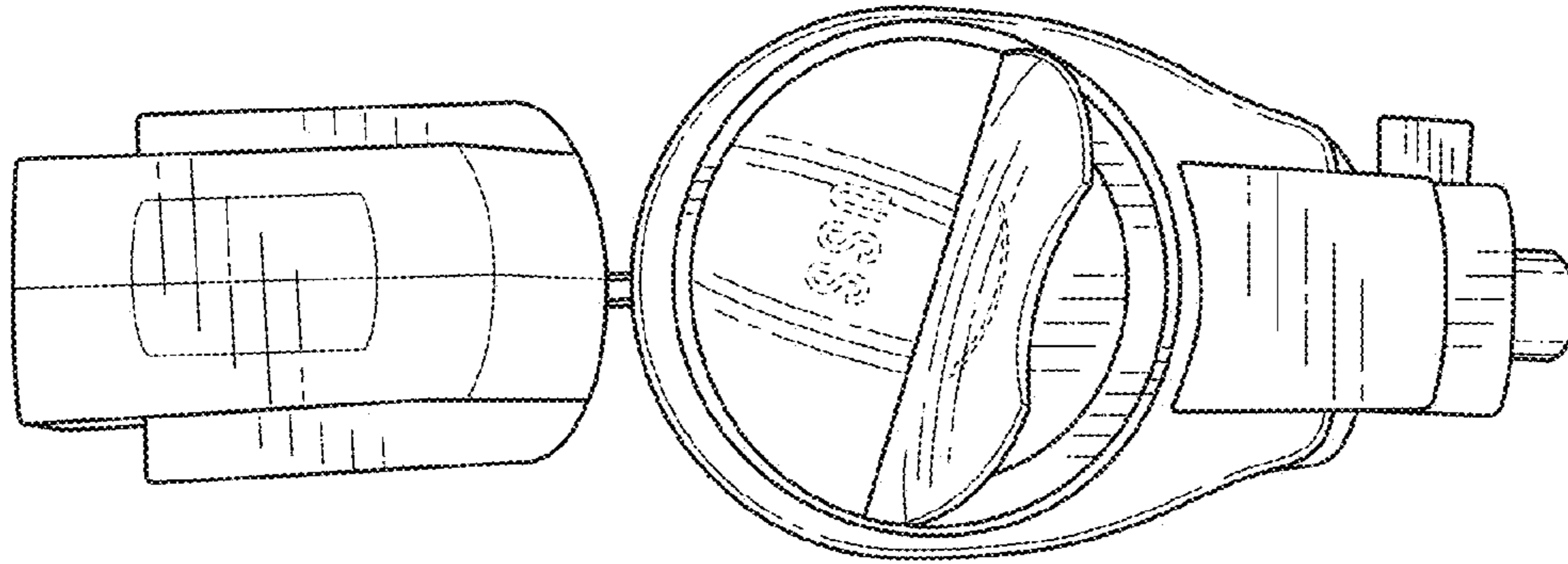


FIG. 3

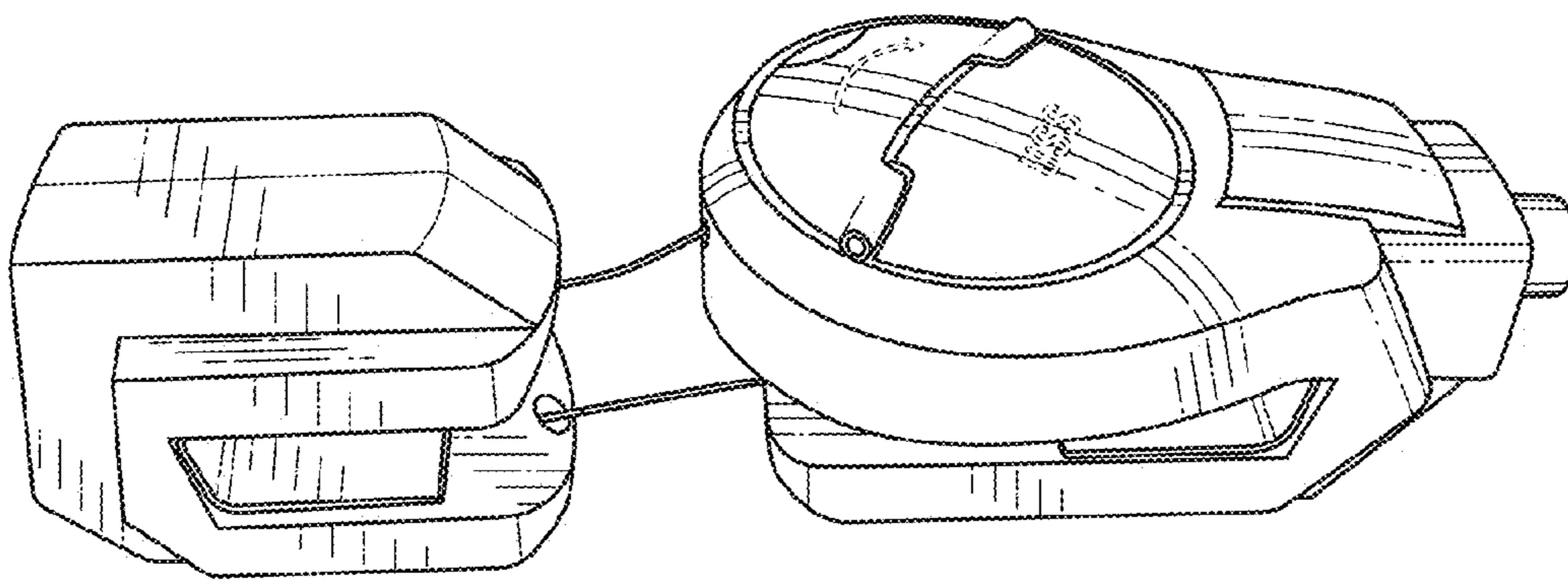


FIG. 4

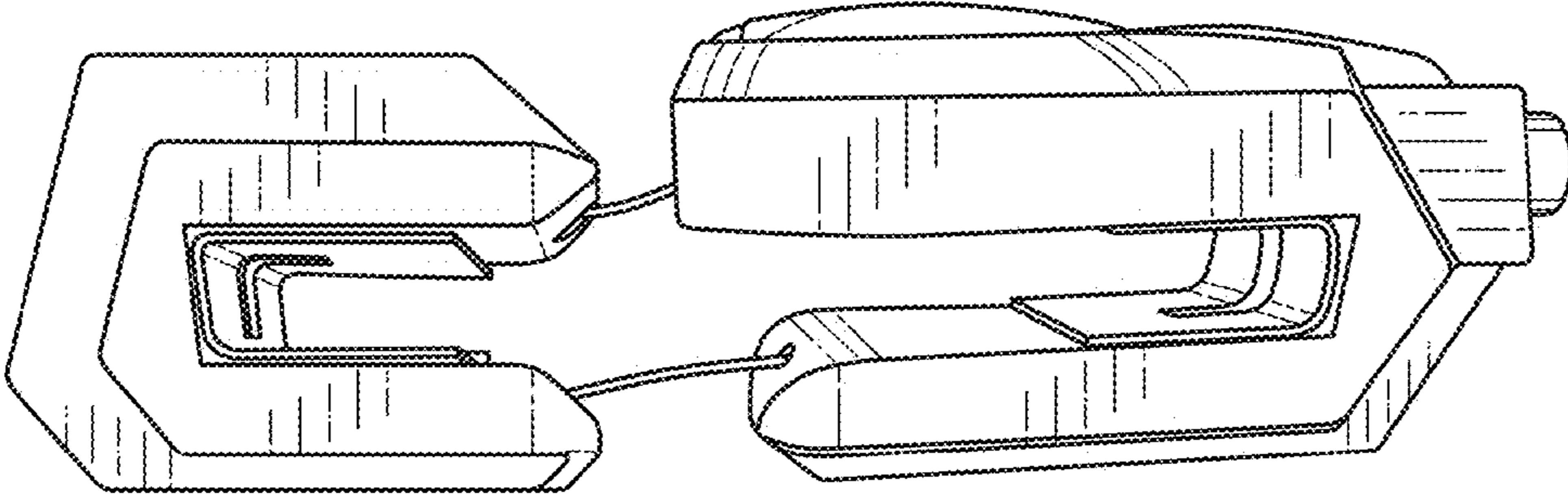


FIG. 5

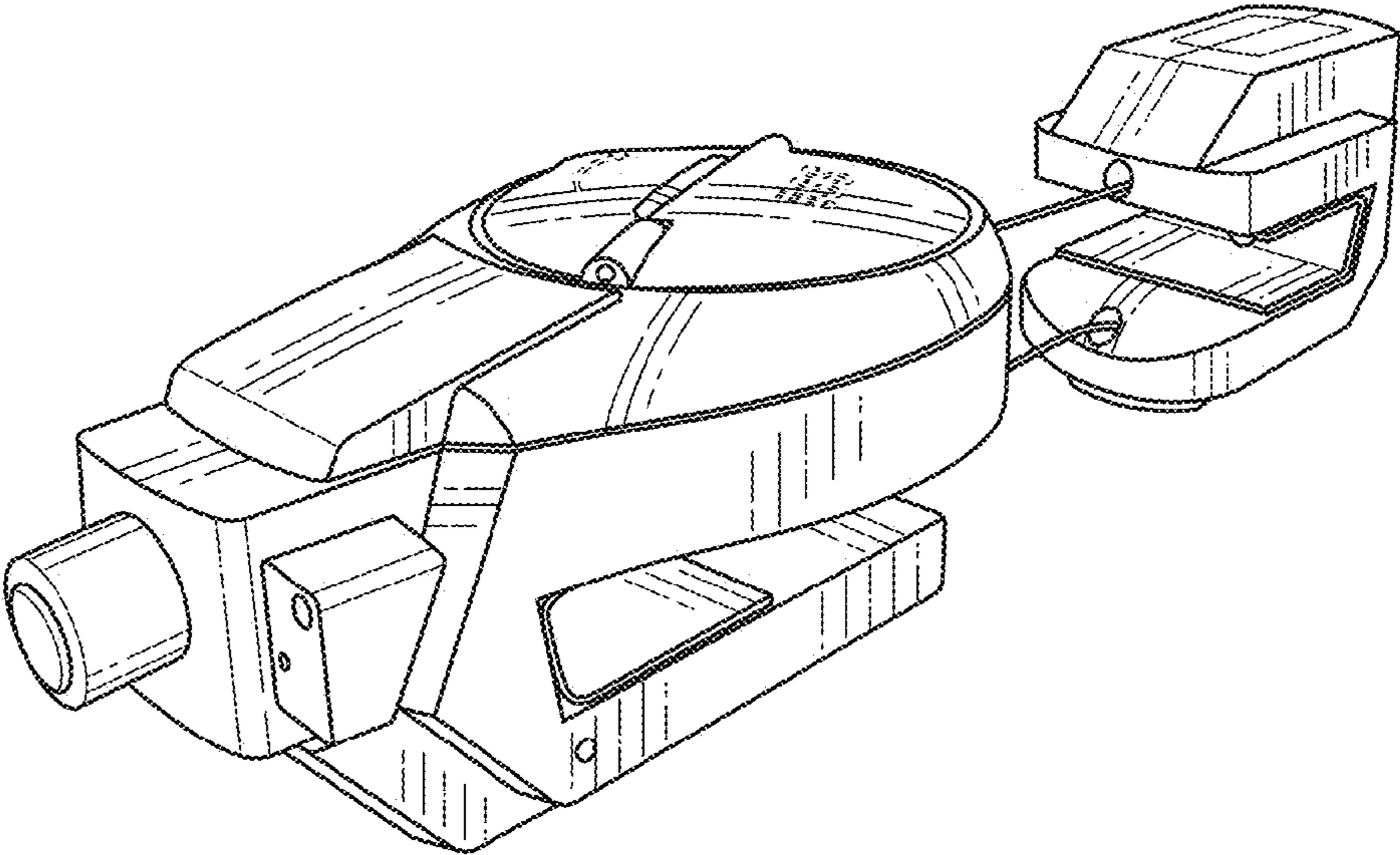


FIG. 6

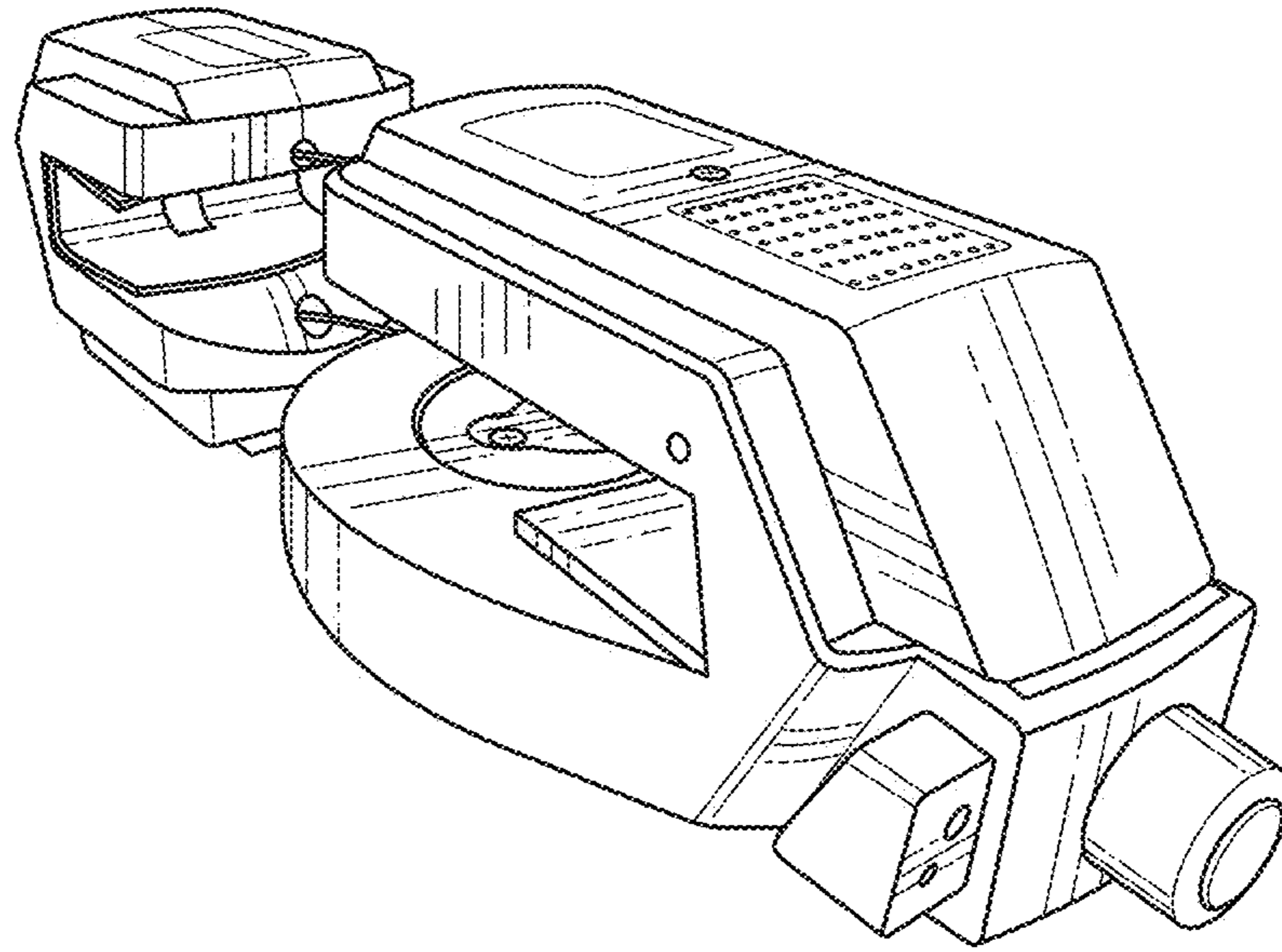


FIG. 7

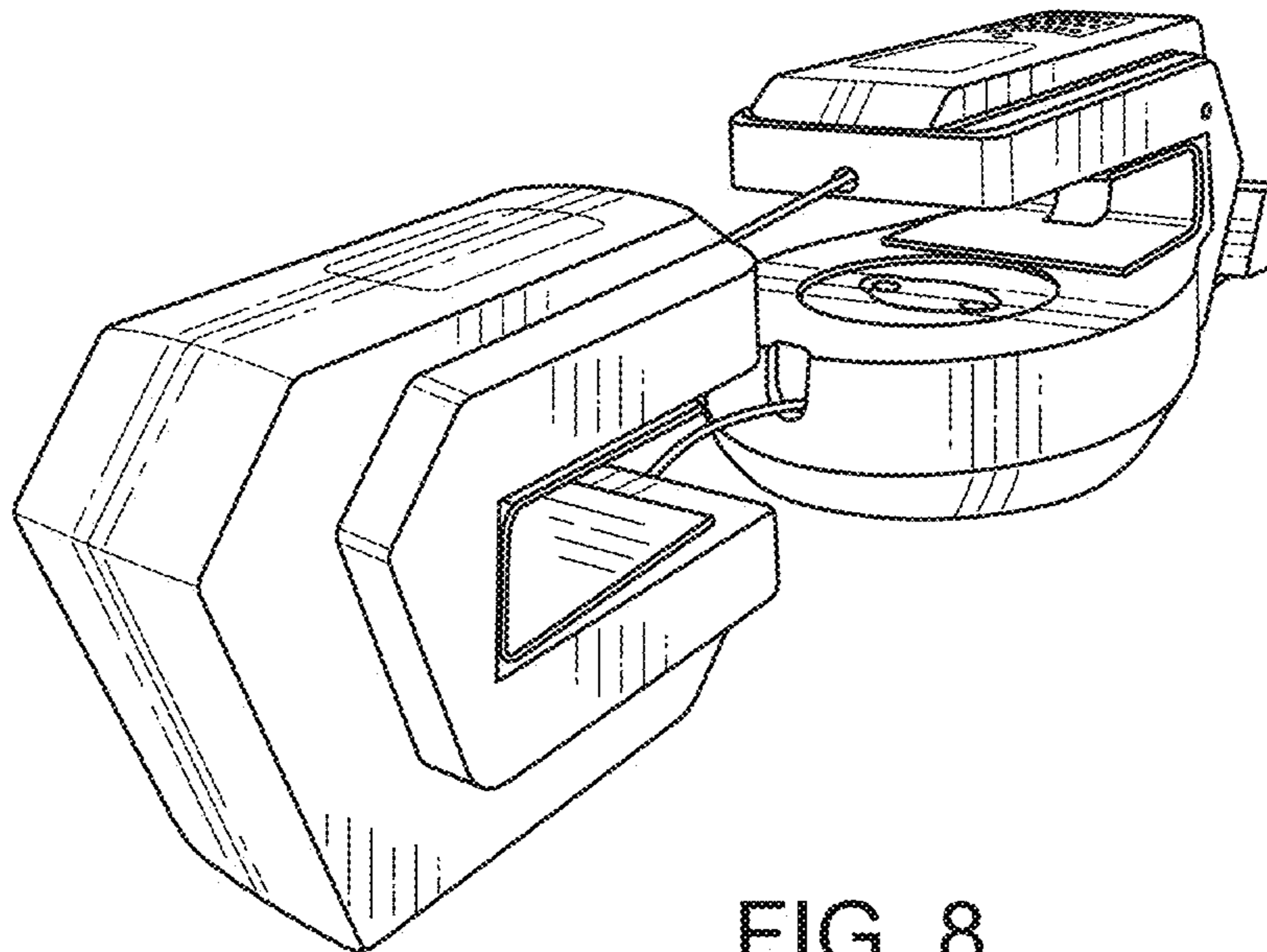


FIG. 8