



US00D686098S

(12) **United States Design Patent**
Agar et al.

(10) **Patent No.:** **US D686,098 S**
(45) **Date of Patent:** **** Jul. 16, 2013**

(54) **ANTENNA DETECTION PROBE FOR A STORAGE TANK**

(71) Applicant: **Agar Corporation Ltd.**, Grand Cayman (KY)

(72) Inventors: **Joram Agar**, Grand Cayman (KY); **Hector Alfredo Viale-Rigo Capuzzo**, Katy, TX (US); **David Farchy**, Bellaire, TX (US)

(73) Assignee: **Agar Corporation Ltd.**, Grand Cayman (KY)

(**) Term: **14 Years**

(21) Appl. No.: **29/437,239**

(22) Filed: **Nov. 14, 2012**

(51) **LOC (9) Cl.** **10-04**

(52) **U.S. Cl.**
USPC **D10/78**

(58) **Field of Classification Search**
USPC D10/78; 374/72.5, 663, 690; 600/430, 600/549; 340/620

See application file for complete search history.

(56) **References Cited**

U.S. PATENT DOCUMENTS

4,503,383	A	3/1985	Agar et al.	
6,424,139	B2 *	7/2002	Bystrom et al.	324/149
7,030,599	B2 *	4/2006	Douglas	324/72.5
7,197,356	B2 *	3/2007	Carr	600/430
D661,605	S *	6/2012	Laurino et al.	D10/78

* cited by examiner

Primary Examiner — Antoine D Davis

(74) *Attorney, Agent, or Firm* — Andrew W. Chu; Craft Chu PLLC

(57) **CLAIM**

The ornamental design for an antenna detection probe for a storage tank, as shown and described.

DESCRIPTION

FIG. 1A is an upper perspective view of the antenna detection probe for a storage tank showing my design in a retracted position and a spring mechanism in broken lines.

FIG. 1B is another upper perspective view of the probe in an extended position with a sensor pointed upward and the spring mechanism in broken lines;

FIG. 1C is another upper perspective view of the probe in an extended position with a sensor pointed downward and the spring mechanism in broken lines;

FIG. 2 is a top plan view thereof, with the spring mechanism in broken lines;

FIG. 3 is a bottom plan view thereof, with the spring mechanism in broken lines;

FIG. 4 is a side elevation view thereof, with the spring mechanism in broken lines;

FIG. 5 is an opposite side view thereof, with the spring mechanism in broken lines;

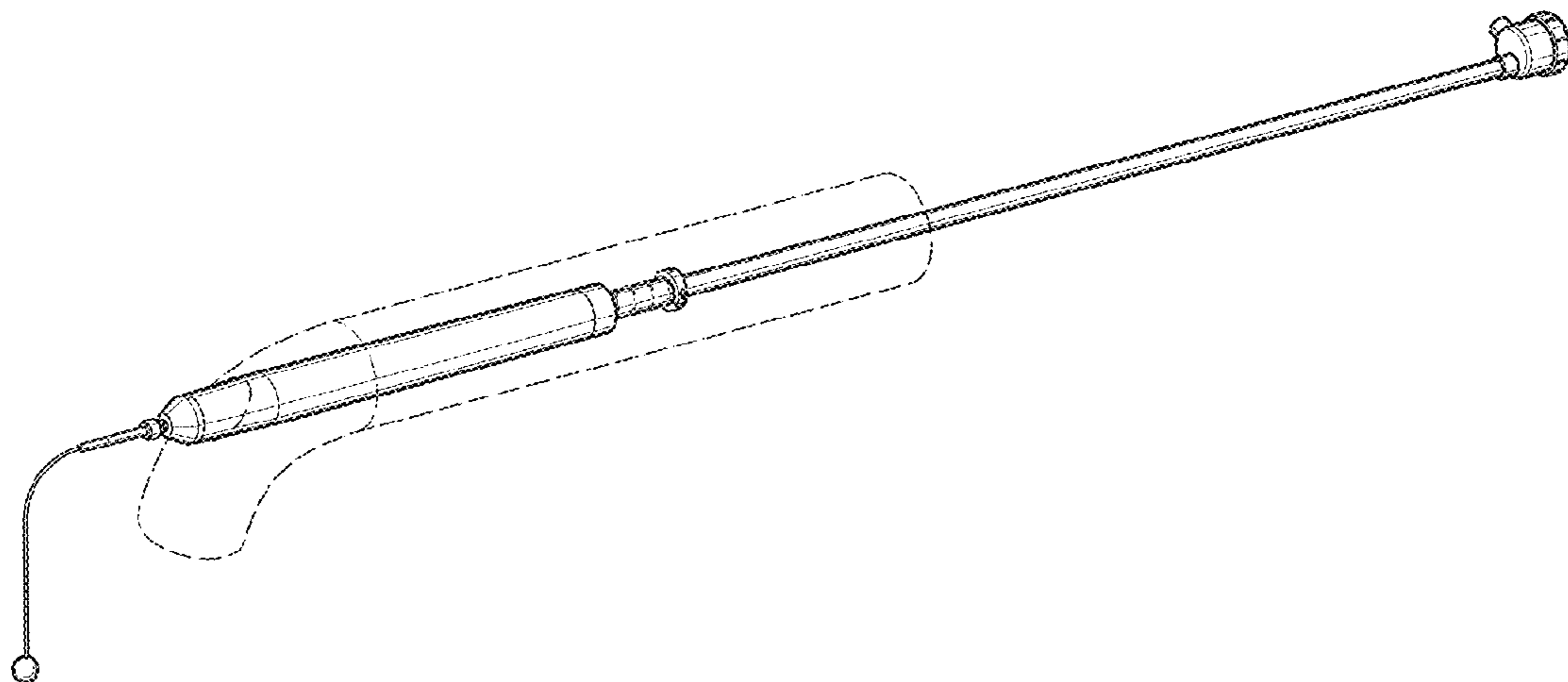
FIG. 6 is a front elevation view thereof,

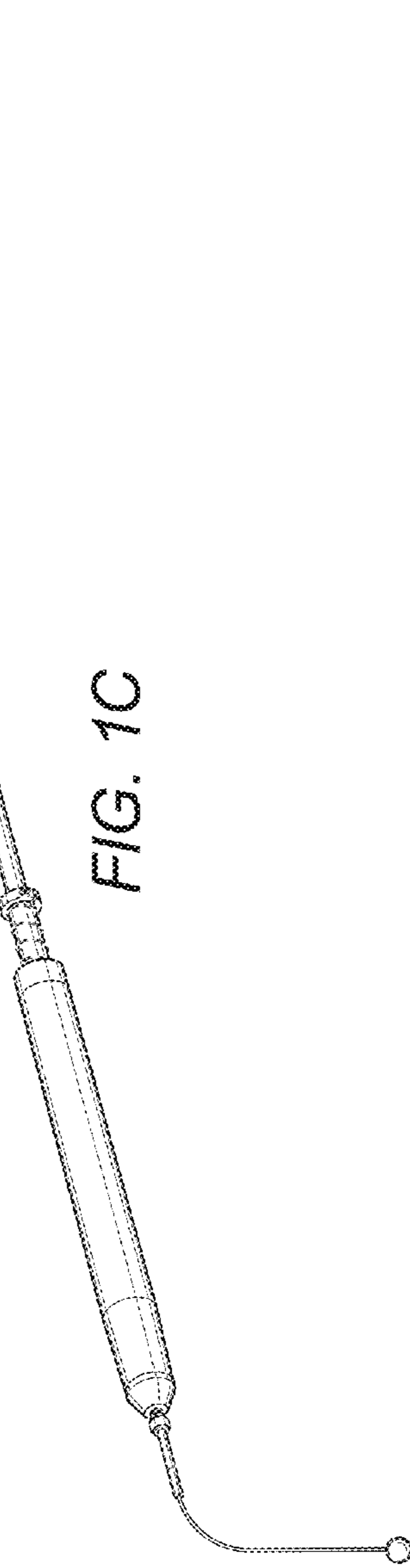
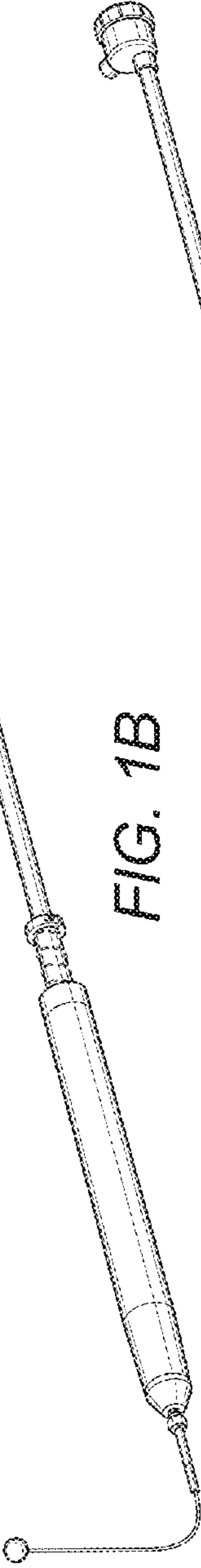
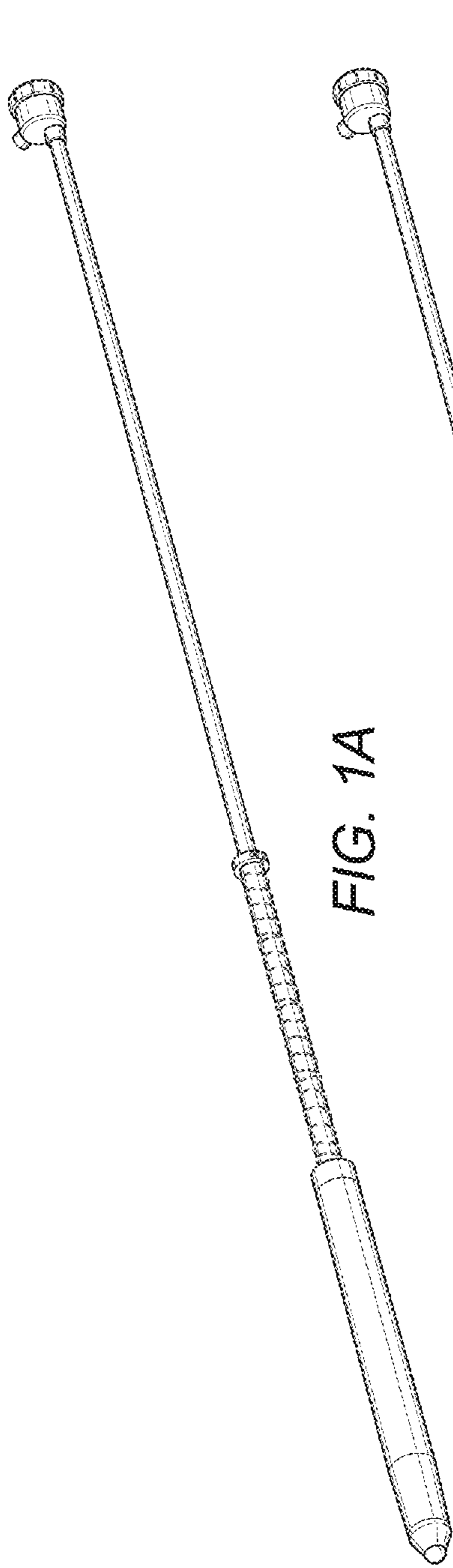
FIG. 7 is a back elevation view thereof; and,

FIG. 8 is still another front perspective view thereof, showing the spring mechanism and positioning inside a bent pipe within a storage tank in broken lines.

The broken line features are presented for illustrative purposes and form no part of the claimed design.

1 Claim, 2 Drawing Sheets





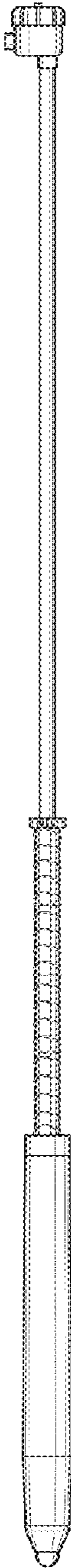


FIG. 2

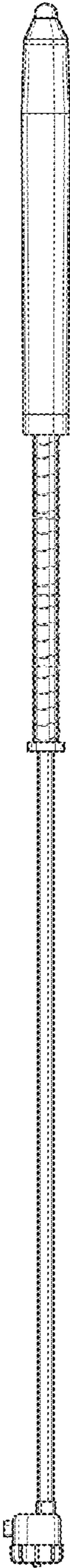


FIG. 3

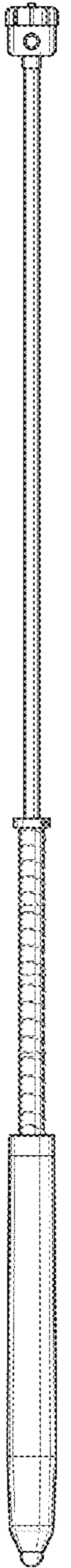


FIG. 4

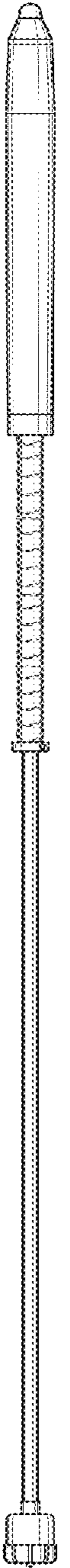


FIG. 5

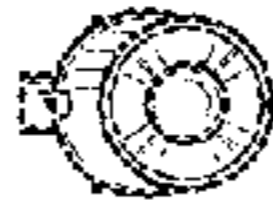


FIG. 6

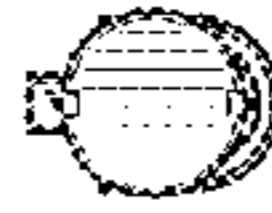


FIG. 7

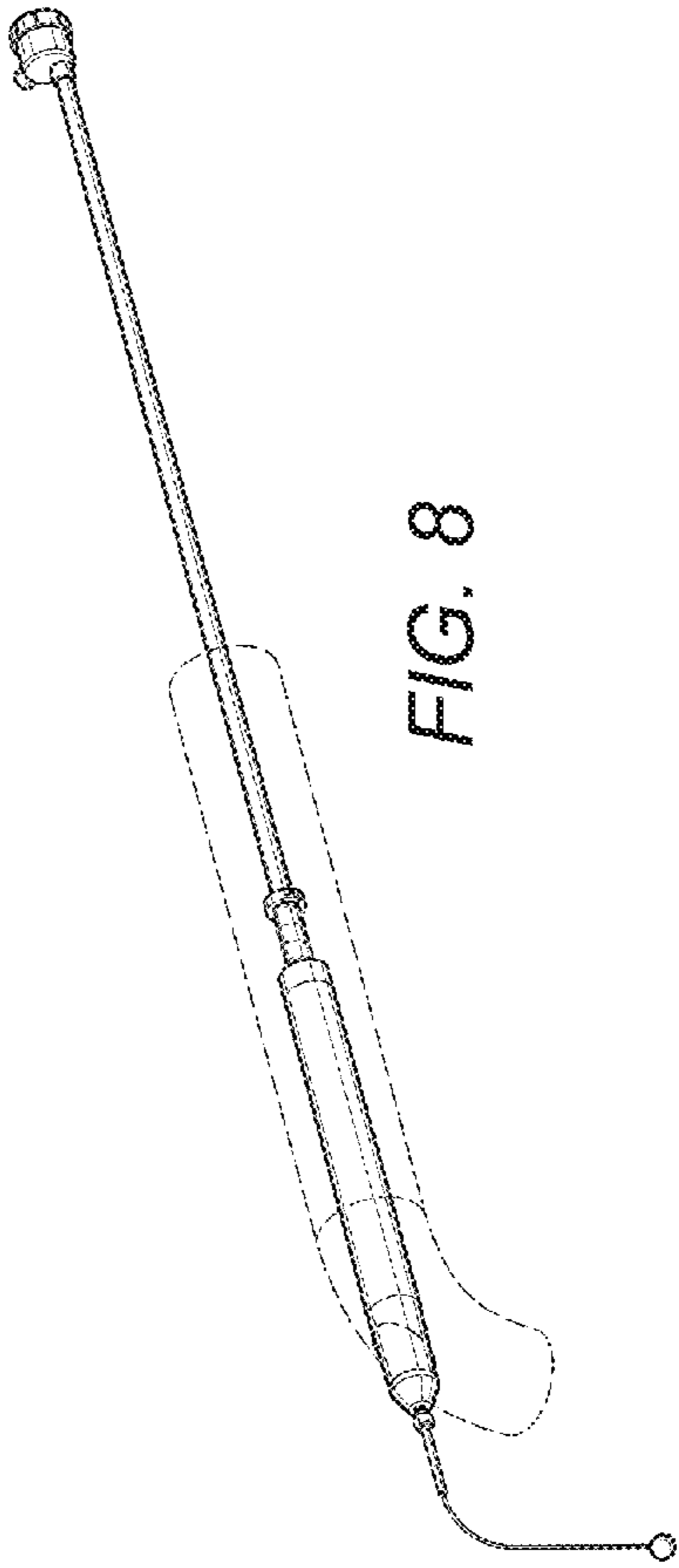


FIG. 8