



US00D686097S

(12) **United States Design Patent**  
**Rosenfield**

(10) **Patent No.:** **US D686,097 S**  
(45) **Date of Patent:** **\*\* Jul. 16, 2013**

(54) **HIGH-POWER HAND-HELD LASER FOR SURVIVAL PURPOSES**

(76) Inventor: **Gary C. Rosenfield**, Cedar City, UT (US)

(\*\*) Term: **14 Years**

(21) Appl. No.: **29/405,754**

(22) Filed: **Nov. 4, 2011**

**Related U.S. Application Data**

(63) Continuation-in-part of application No. 29/405,358, filed on Nov. 1, 2011.

(51) **LOC (9) Cl.** ..... **10-04**

(52) **U.S. Cl.**  
USPC ..... **D10/70**

(58) **Field of Classification Search**  
USPC ..... D10/70; 73/597, 615, 624, 627, 644;  
235/462.43, 462.45, 462.46; 324/72.5, 556,  
324/133, 149, 503, 543, 555, 66, 72, 754,  
324/115, 141; 340/635, 687; 356/3.01-3.15;  
372/70, 107  
See application file for complete search history.

(56) **References Cited**

**U.S. PATENT DOCUMENTS**

5,473,464	A *	12/1995	Knowles et al.	359/237
5,506,394	A *	4/1996	Plesko	235/462.46
5,663,828	A *	9/1997	Knowles et al.	359/237
D409,101	S *	5/1999	Howard et al.	D10/70
6,202,930	B1 *	3/2001	Plesko	235/462.43
6,371,954	B1 *	4/2002	Lee	606/13
D511,467	S *	11/2005	Sanoner	D10/70
D555,018	S *	11/2007	Au Yeung	D10/70
D569,283	S *	5/2008	Huang	D10/70
7,653,116	B2 *	1/2010	Grapov et al.	372/107
D614,981	S *	5/2010	Junes	D10/70
D620,821	S *	8/2010	Driver	D10/65
D670,581	S *	11/2012	Matuschek et al.	D10/70
2002/0125324	A1 *	9/2002	Yavid et al.	235/462.45
2006/0233215	A1 *	10/2006	Casazza	372/70

\* cited by examiner

*Primary Examiner* — Antoine D Davis

(74) *Attorney, Agent, or Firm* — K Kalan; Berenbaum Weinshienk, PC

(57) **CLAIM**

The ornamental design for a high-power hand-held laser for survival purposes, as shown and described.

**DESCRIPTION**

FIG. 1 is an isometric view of a high-power hand-held laser for survival purposes hereof, lined for the color blue.

FIG. 2 is a left elevational view of the high-power hand-held laser for survival purposes.

FIG. 3 is a front elevational view of the high-power hand-held laser for survival purposes, lined for the color blue.

FIG. 4 is a right elevational view of the high-power hand-held laser for survival purposes.

FIG. 5 is a back elevational view of the high-power hand-held laser for survival purposes.

FIG. 6 is an isometric view of another embodiment of the high-power hand-held laser for survival purposes, lined for the color red or pink.

FIG. 7 is a left elevational view of another embodiment of the high-power hand-held laser for survival purposes.

FIG. 8 is a front elevational view of a second embodiment of the high-power hand-held laser for survival purposes, lined for the color red or pink.

FIG. 9 is a right elevational view of a second embodiment of the high-power hand-held laser for survival purposes.

FIG. 10 is a back elevational view of a second embodiment of the high-power hand-held laser for survival purposes.

FIG. 11 is an isometric view of a third embodiment of the high-power hand-held laser for survival purposes, lined for the color violet or purple.

FIG. 12 is a left elevational view of a third embodiment of the high-power hand-held laser for survival purposes.

FIG. 13 is a front elevational view of a third embodiment of the high-power hand-held laser for survival purposes, lined for the color violet or purple.

FIG. 14 is a right elevational view of a third embodiment of the high-power hand-held laser for survival purposes.

FIG. 15 is a back elevational view of a third embodiment of the high-power hand-held laser for survival purposes.

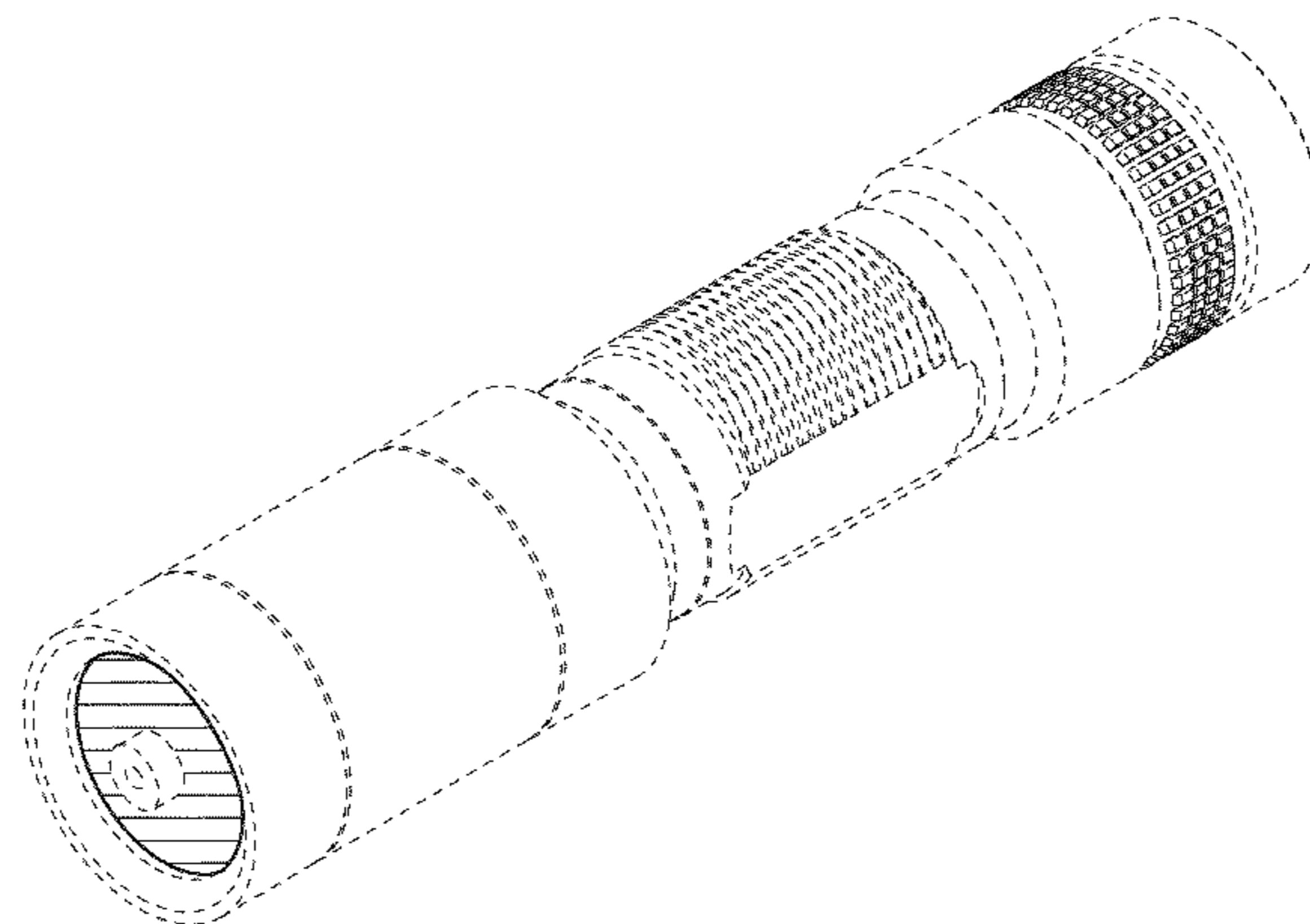




FIG. 70 is a back elevational view of the high-power hand-held laser for survival purposes of FIG. 66.

FIG. 71 is an isometric view of a still further embodiment of a high-power hand-held laser for survival purposes, lined for the color violet or purple.

FIG. 72 is a left elevational view of the high-power hand-held laser for survival purposes of FIG. 71.

FIG. 73 is a front elevational view of the high-power hand-held laser for survival purposes of FIG. 71, lined for the color violet or purple.

FIG. 74 is a right elevational view of the high-power hand-held laser for survival purposes of FIG. 71.

FIG. 75 is a back elevational view of the high-power hand-held laser for survival purposes of FIG. 71.

FIG. 76 is an isometric view of yet another embodiment of the high-power hand-held laser for survival purposes, lined for the color yellow or gold.

FIG. 77 is a left elevational view of the high-power hand-held laser for survival purposes of FIG. 76.

FIG. 78 is a front elevational view of the high-power hand-held laser for survival purposes of FIG. 76, lined for the color yellow or gold.

FIG. 79 is a right elevational view of the high-power hand-held laser for survival purposes of FIG. 76.

FIG. 80 is a back elevational view of the high-power hand-held laser for survival purposes of FIG. 76.

FIG. 81 is an isometric view of yet still a further embodiment of the high-power hand-held laser for survival purposes, lined for the color green.

FIG. 82 is a left elevational view of the embodiment of the high-power hand-held laser for survival purposes of FIG. 81.

FIG. 83 is a front elevational view of the high-power hand-held laser for survival purposes of FIG. 81, lined for the color green.

FIG. 84 is a right elevational view of the high-power hand-held laser for survival purposes of FIG. 81.

FIG. 85 is a back elevational view of the high-power hand-held laser for survival purposes of FIG. 81.

FIG. 86 is an isometric view of another embodiment of the high-power hand-held laser for survival purposes, lined for the color orange.

FIG. 87 is a left elevational view of the high-power hand-held laser for survival purposes of FIG. 86.

FIG. 88 is a front elevational view of the high-power hand-held laser for survival purposes of FIG. 86, lined for the color orange.

FIG. 89 is a right elevational view of the high-power hand-held laser for survival purposes of FIG. 86; and,

FIG. 90 is a back elevational view of the high-power hand-held laser for survival purposes of FIG. 86.

The device hereof is a hand-held laser device, which provides for generation and transmission of a laser therefrom.

**1 Claim, 36 Drawing Sheets**

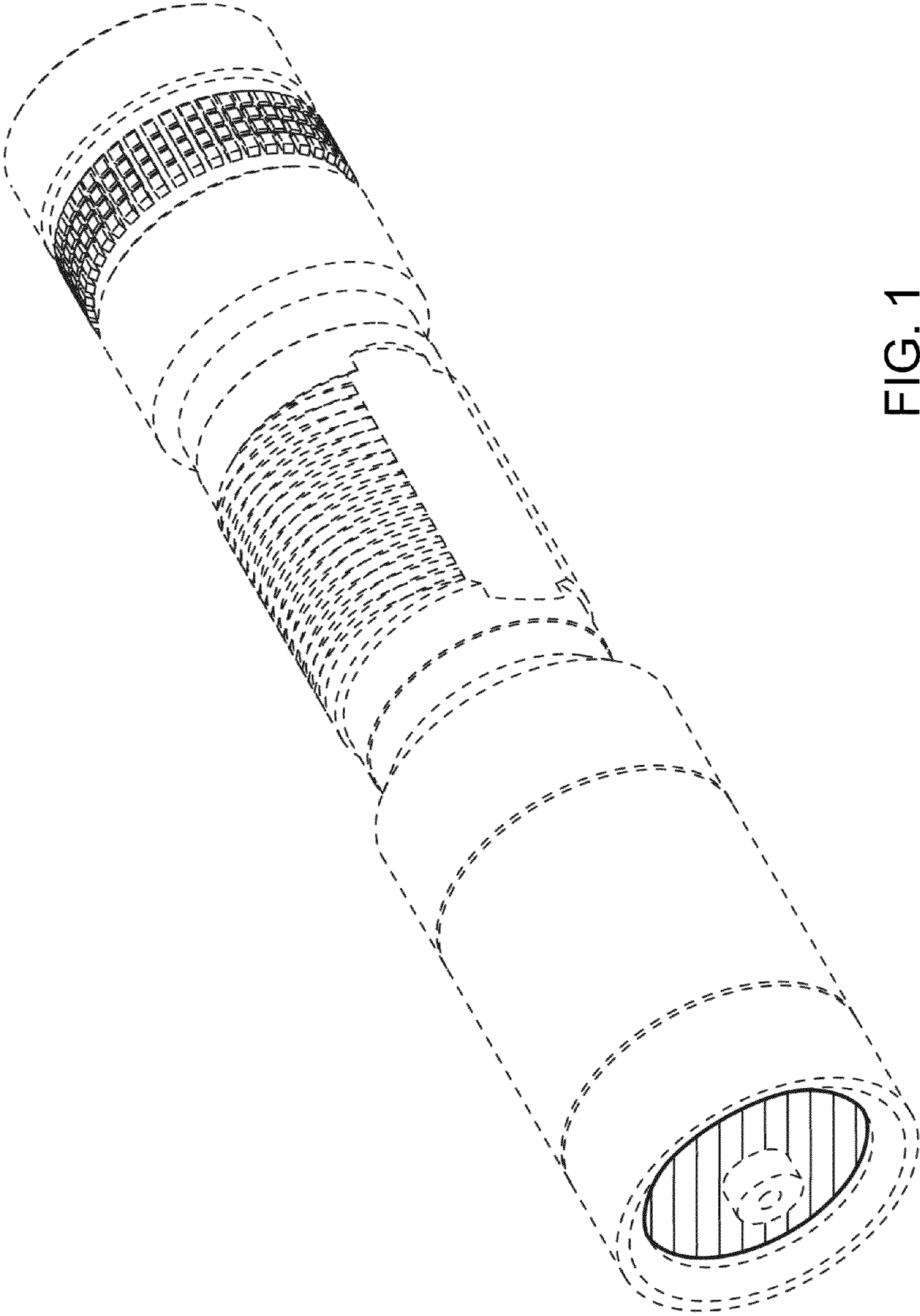


FIG. 1

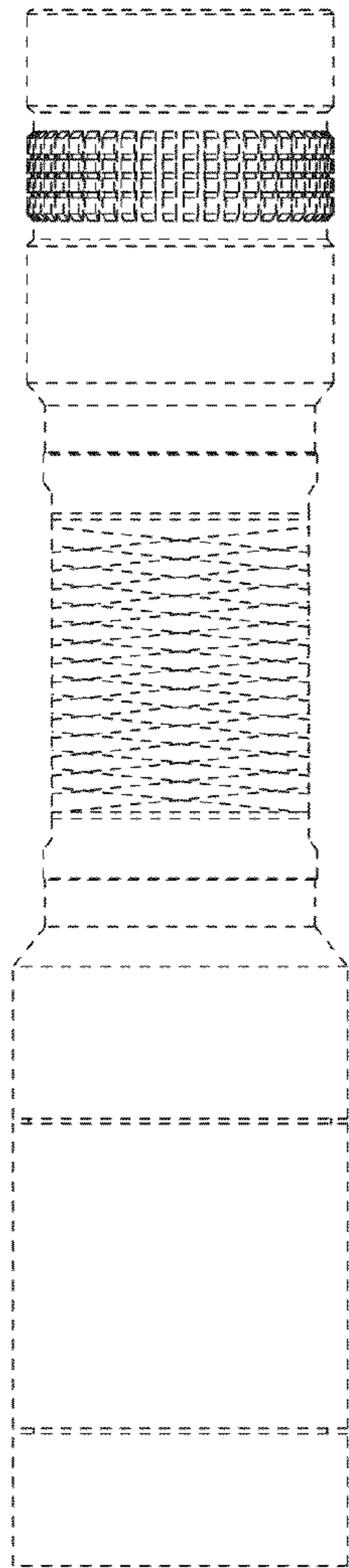


FIG. 2

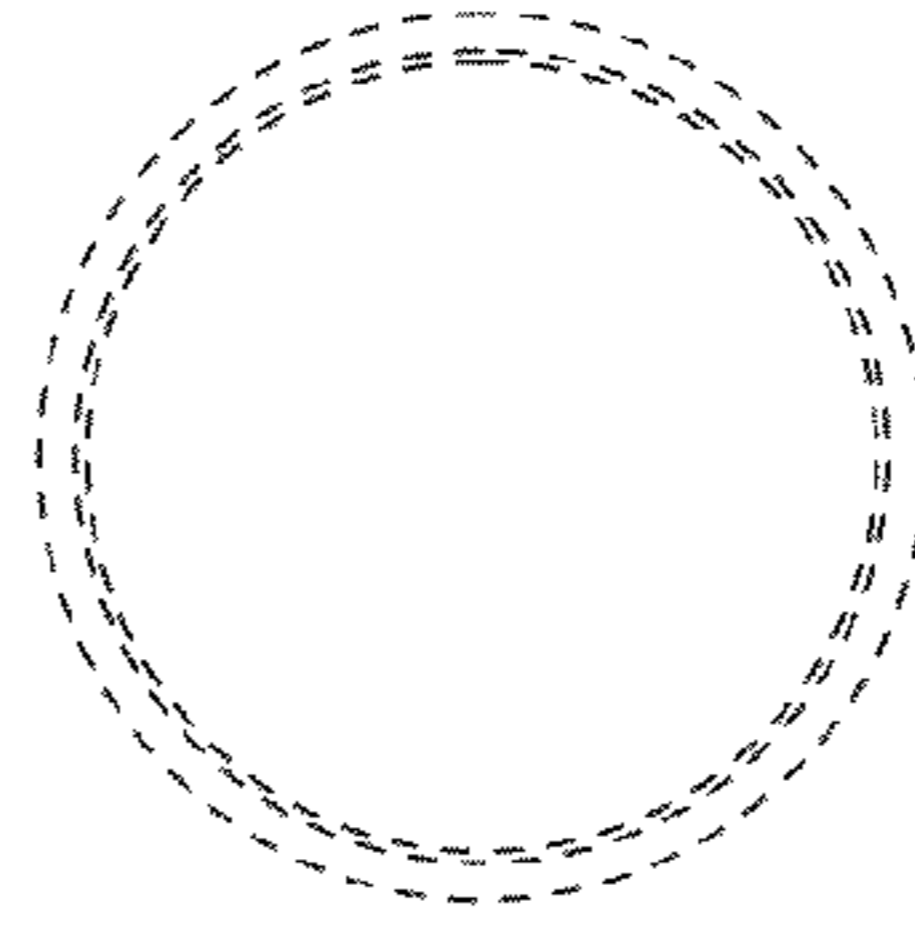


FIG. 5

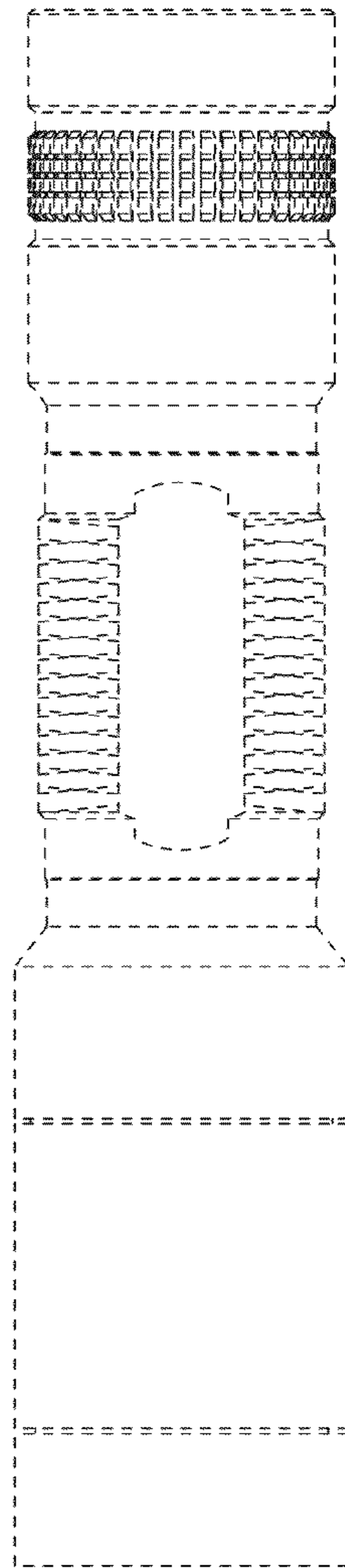


FIG. 4

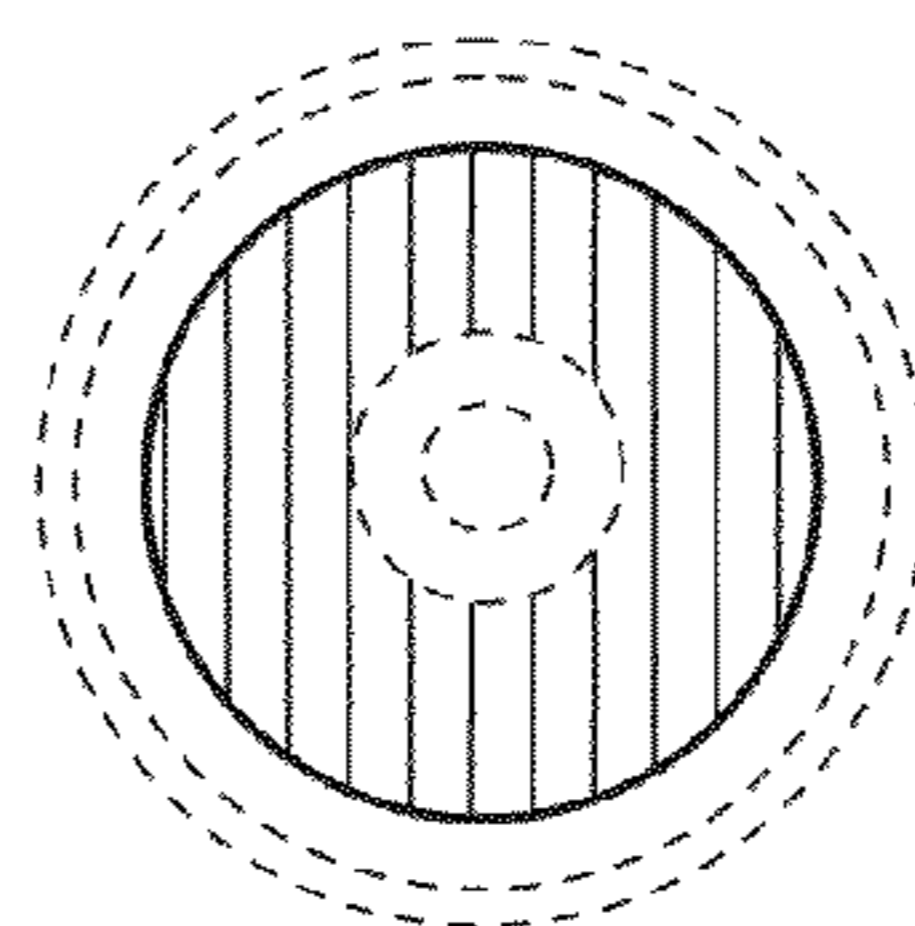


FIG. 3

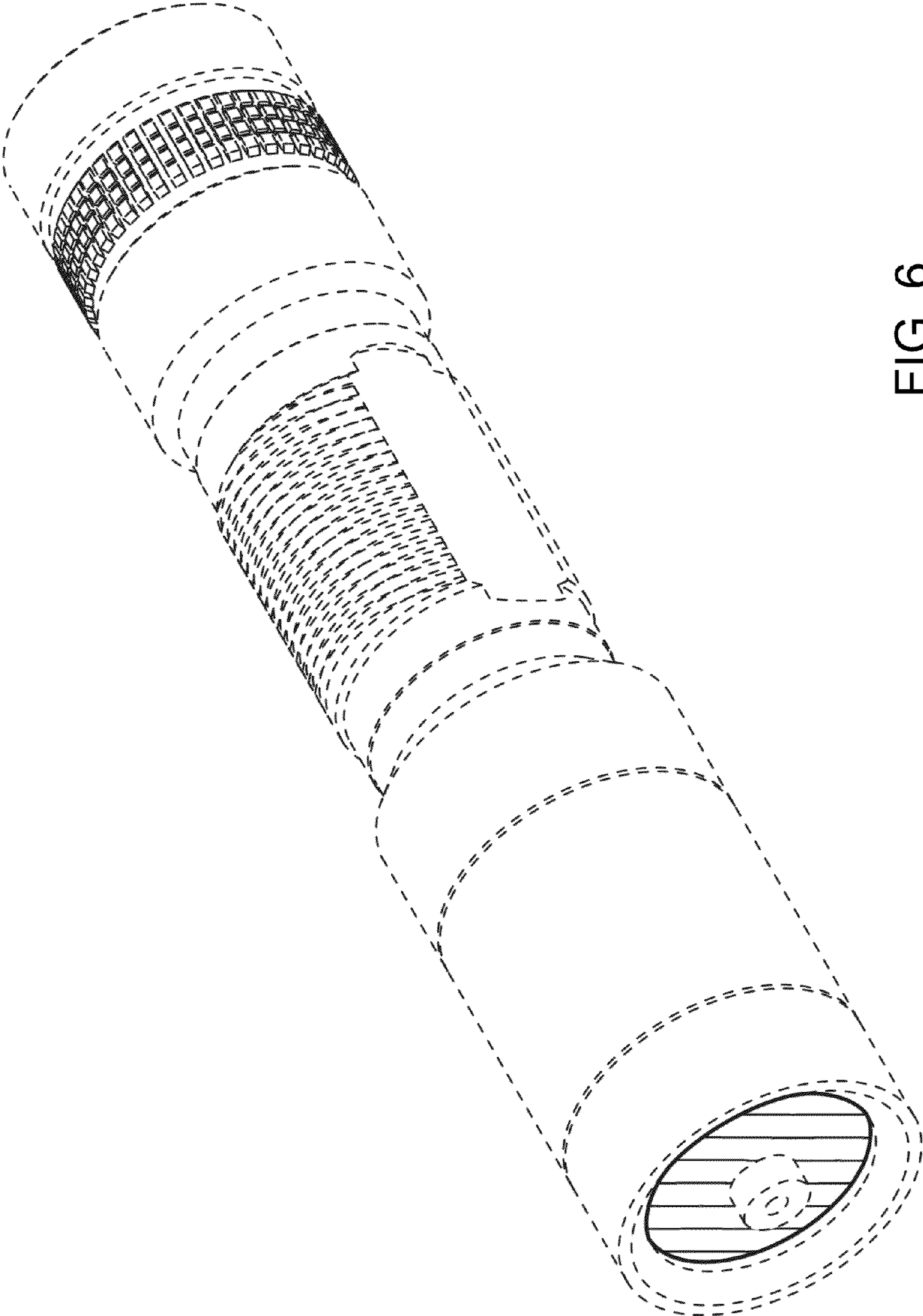


FIG. 6

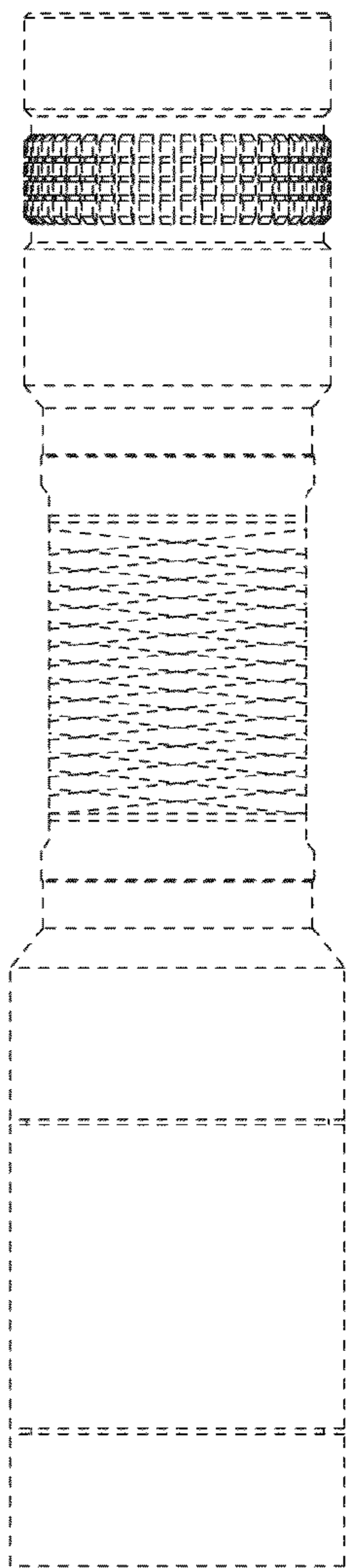


FIG. 7

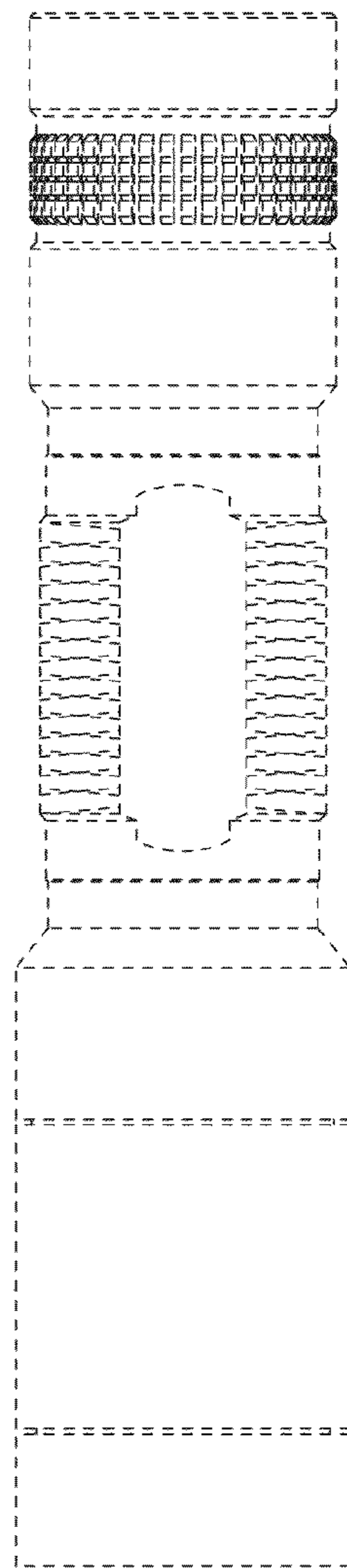


FIG. 9

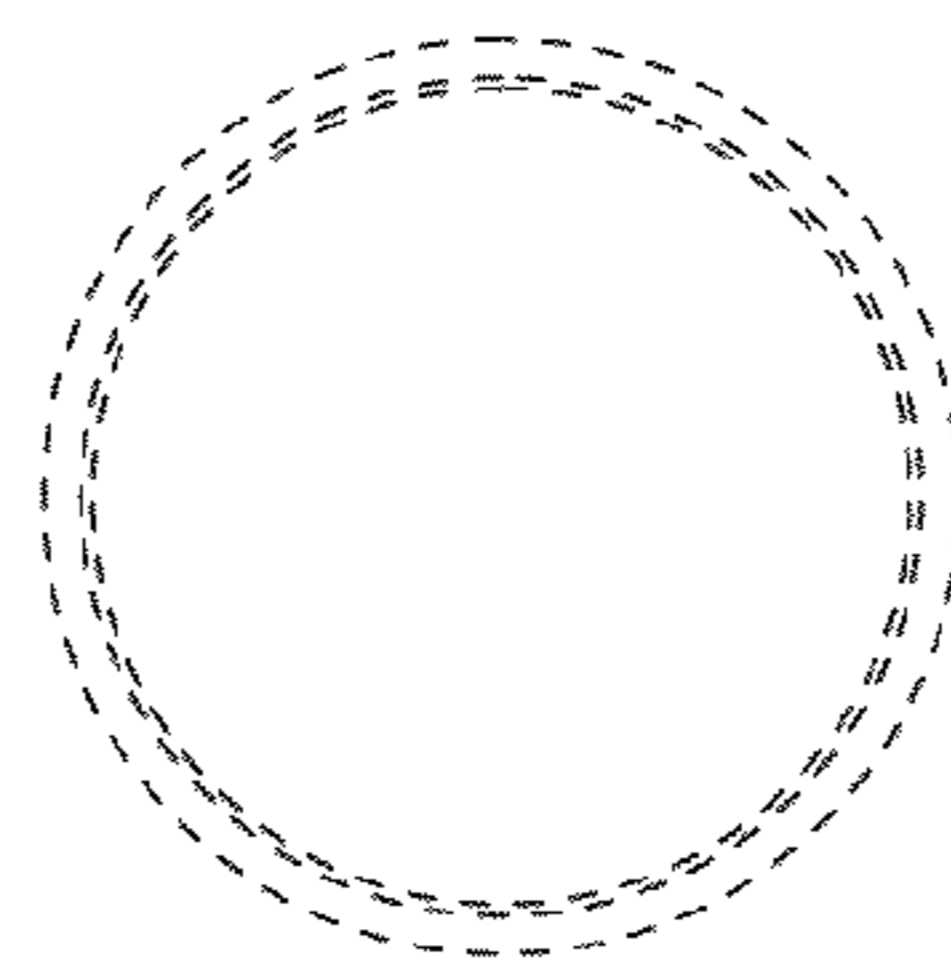


FIG. 10

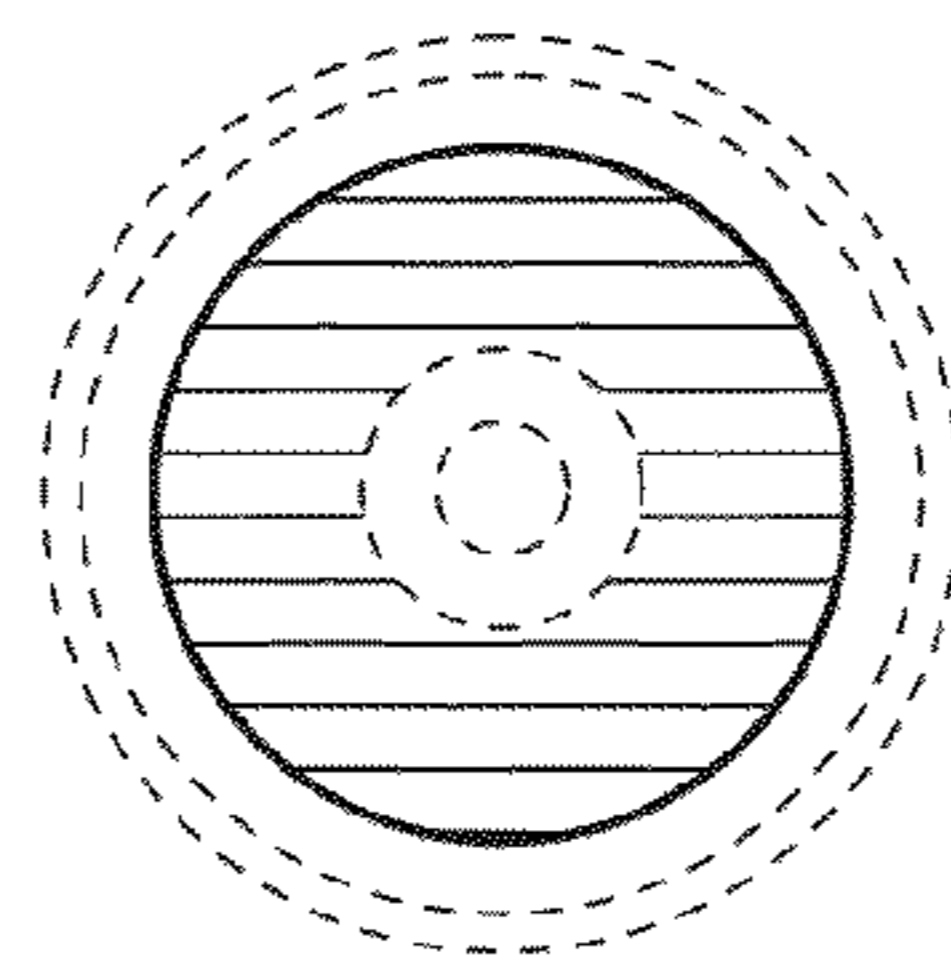


FIG. 8

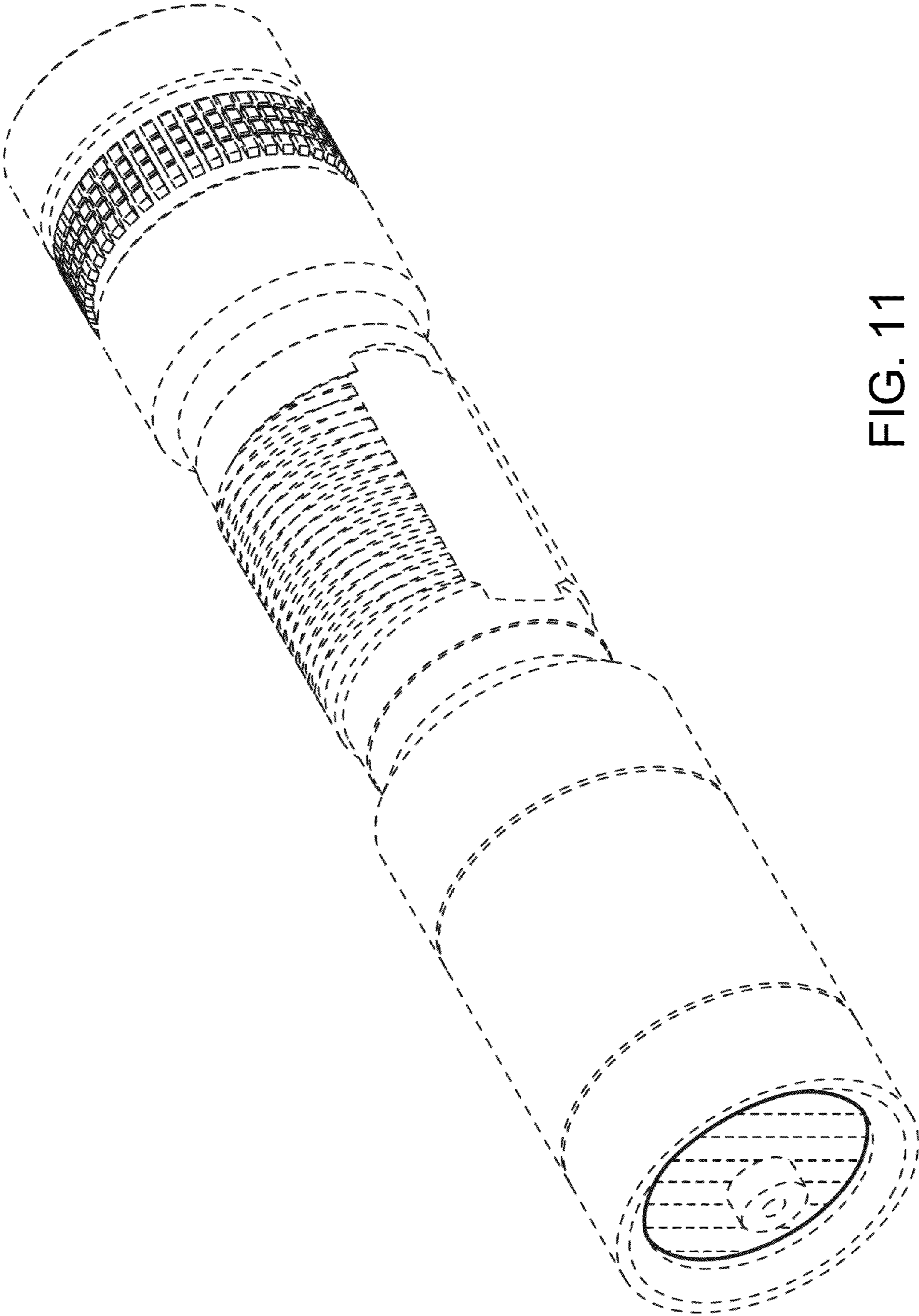


FIG. 11



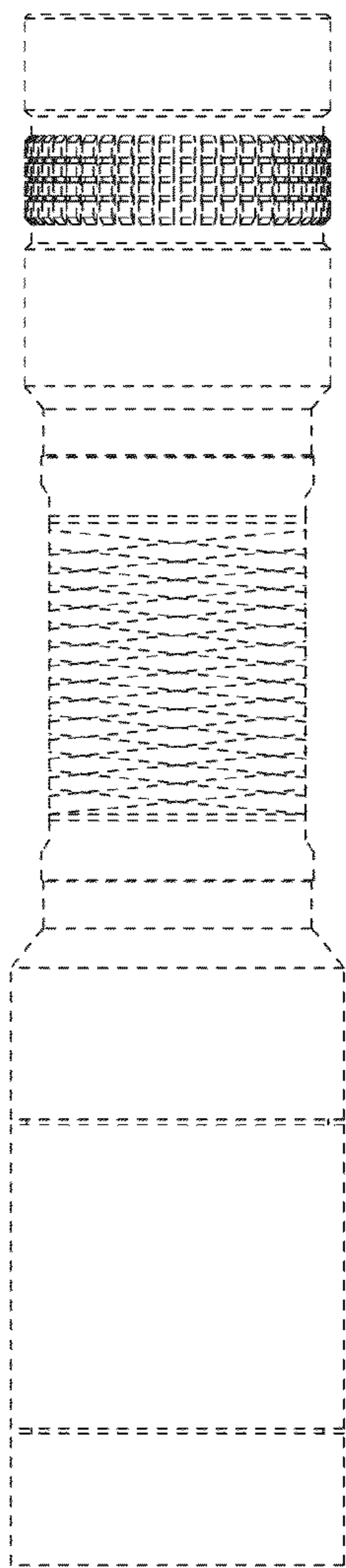


FIG. 12

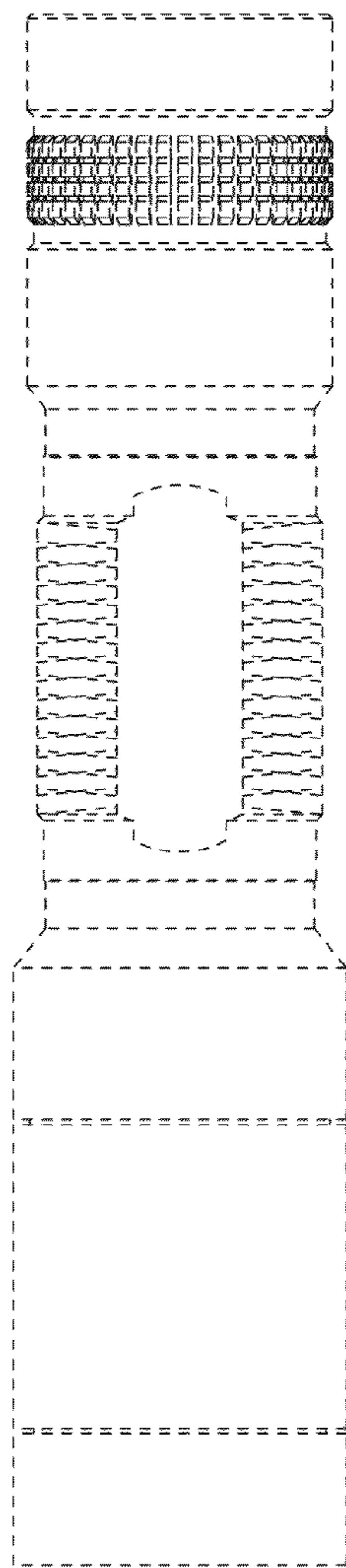


FIG. 14

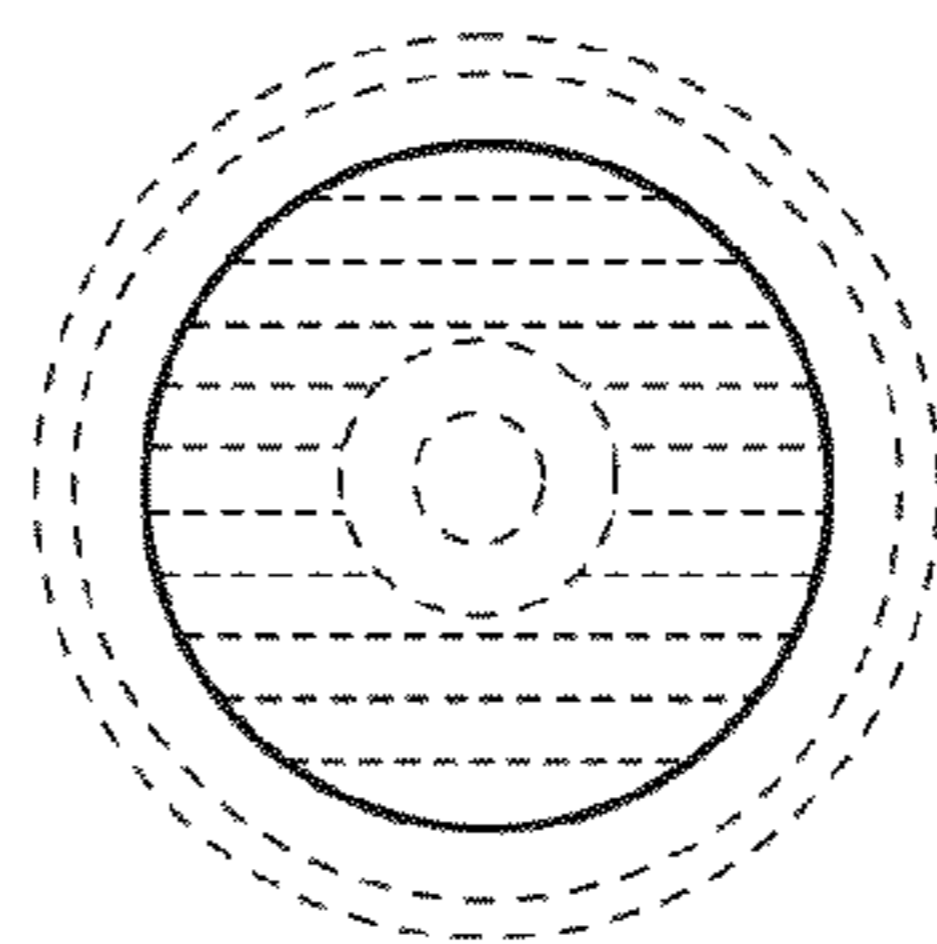


FIG. 13

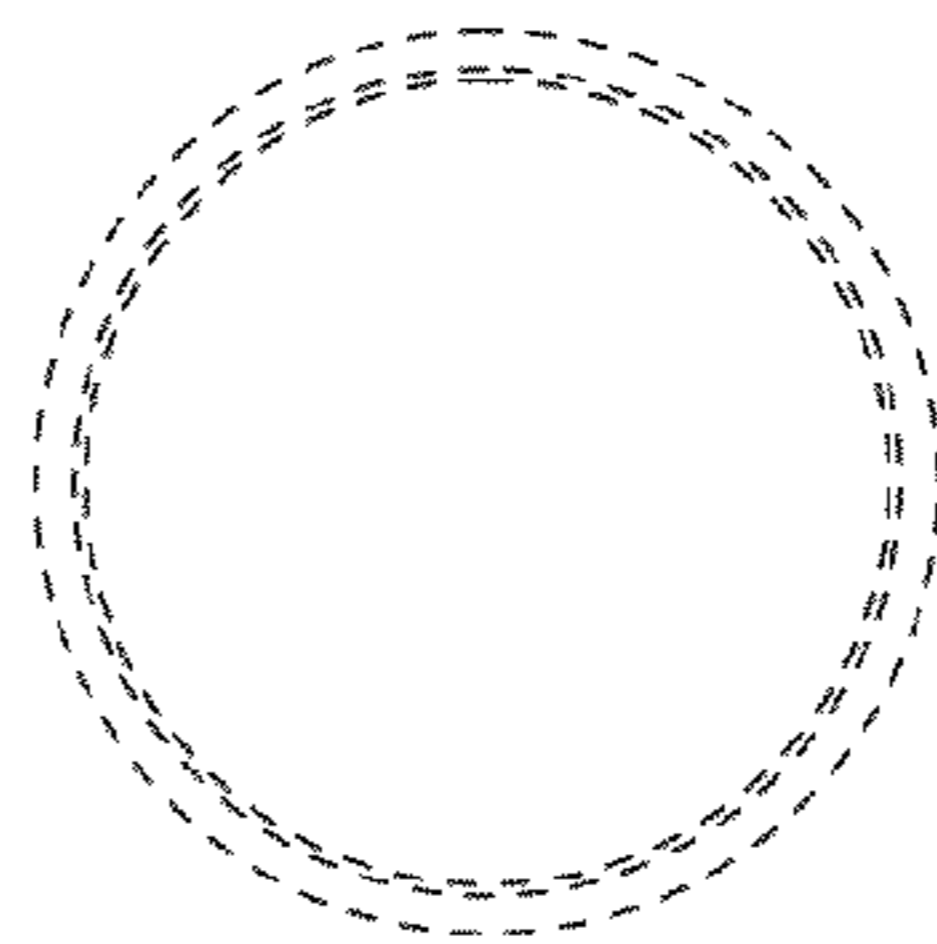


FIG. 15

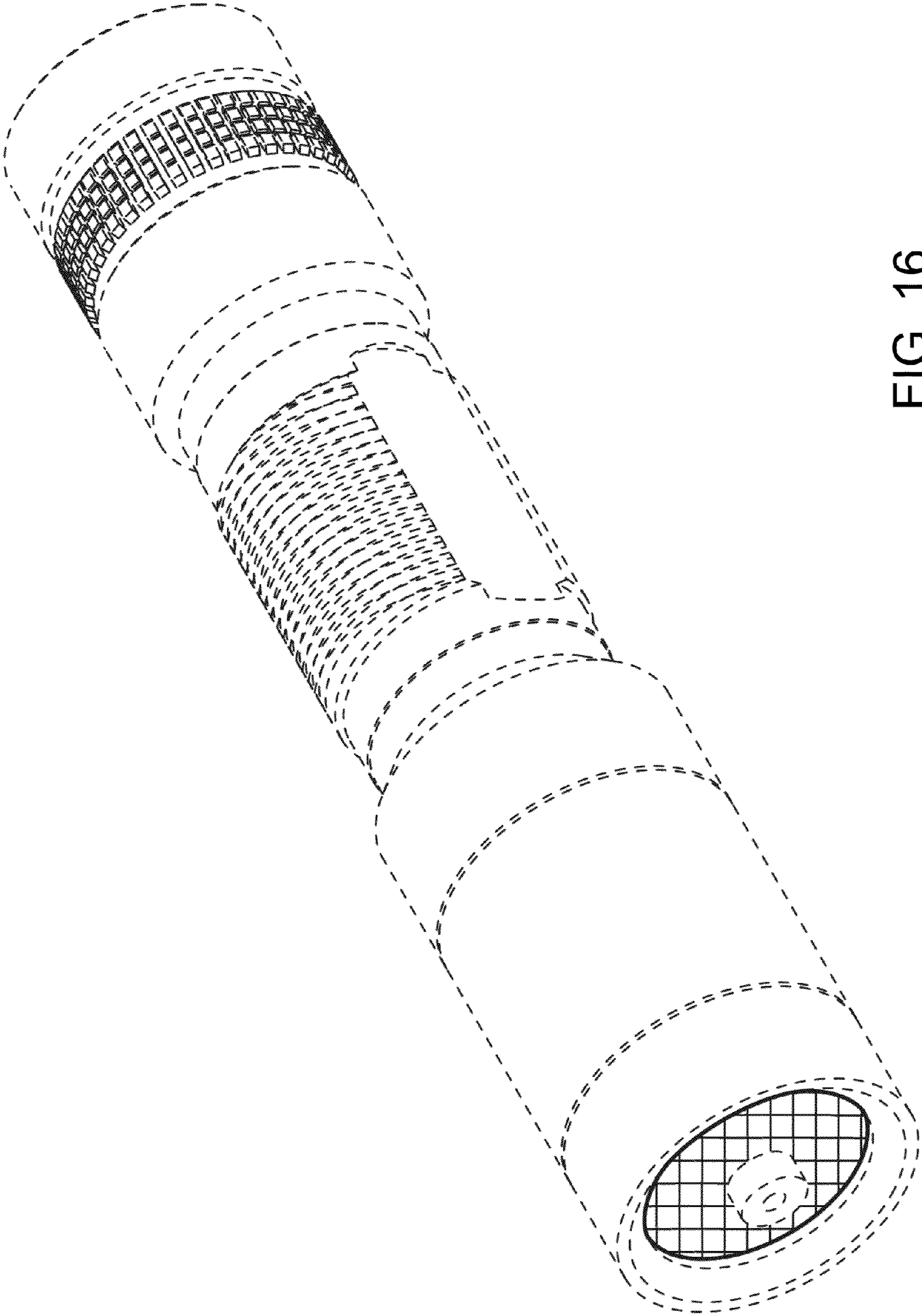


FIG. 16

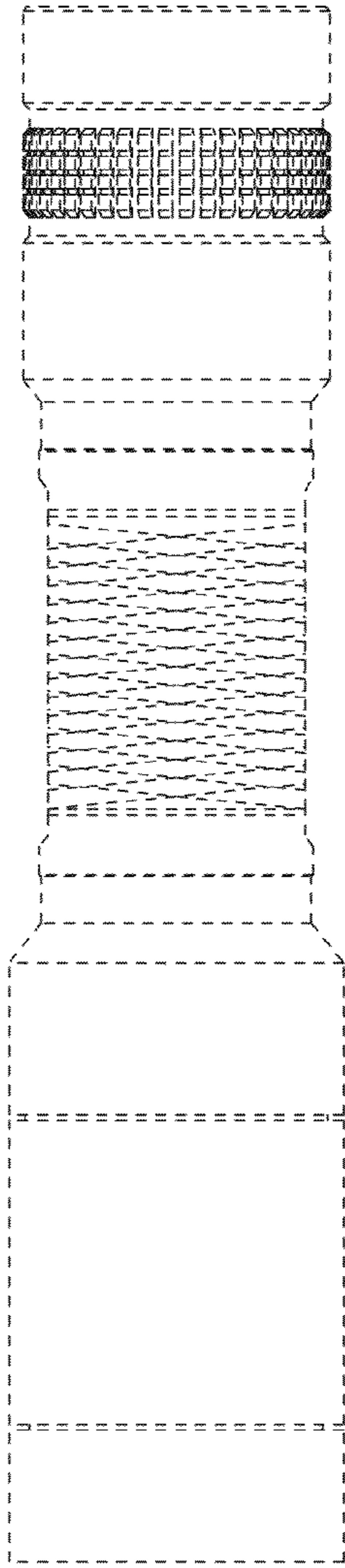


FIG. 17

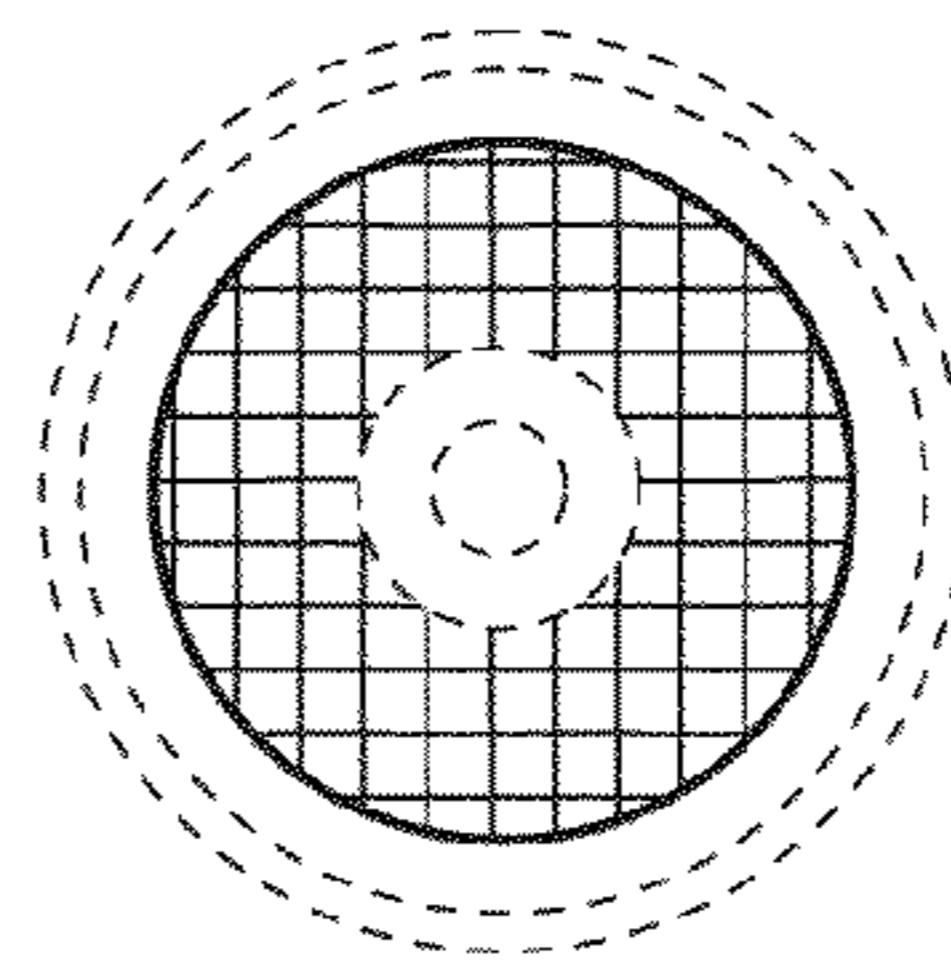


FIG. 18

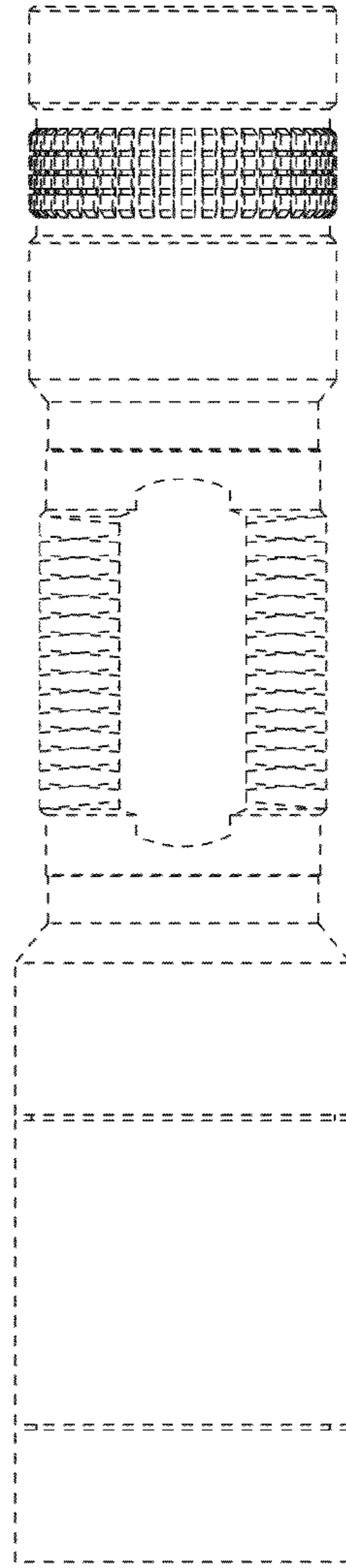


FIG. 19

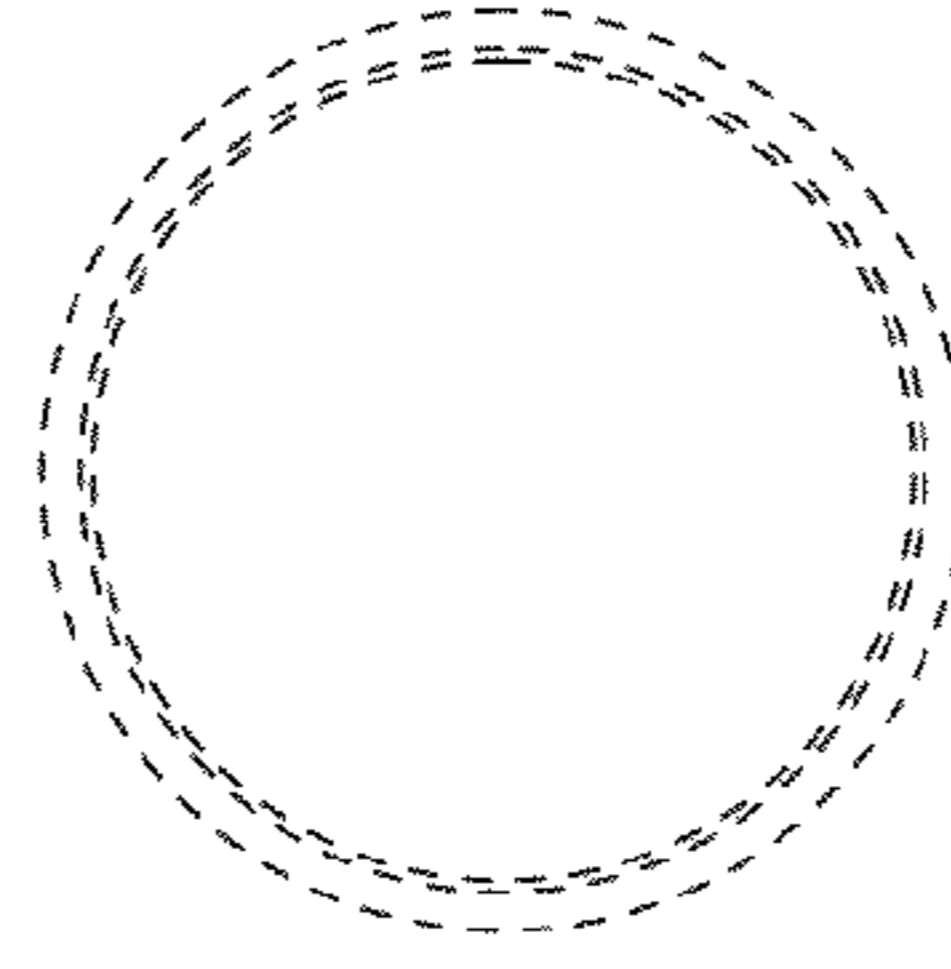


FIG. 20

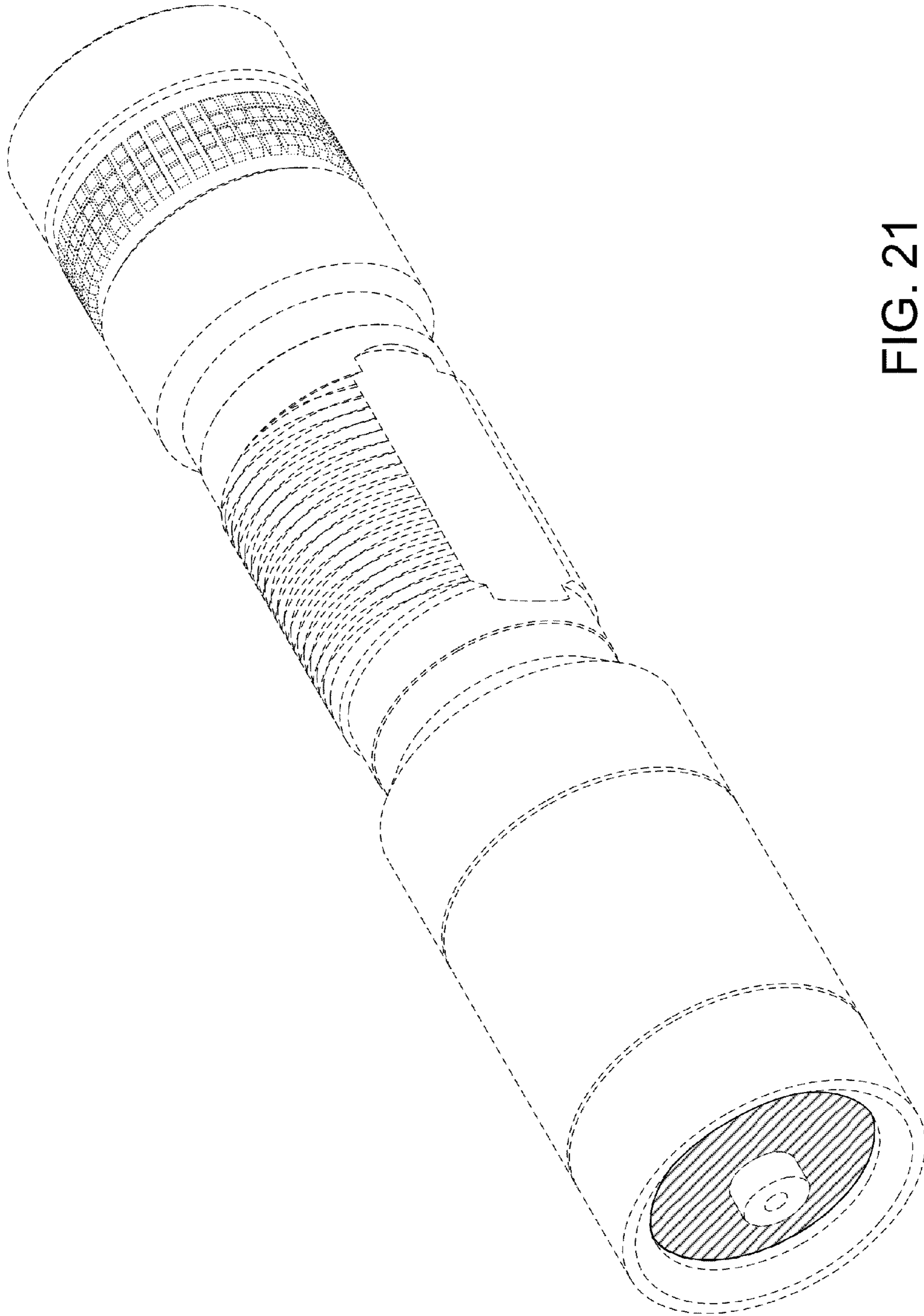


FIG. 21

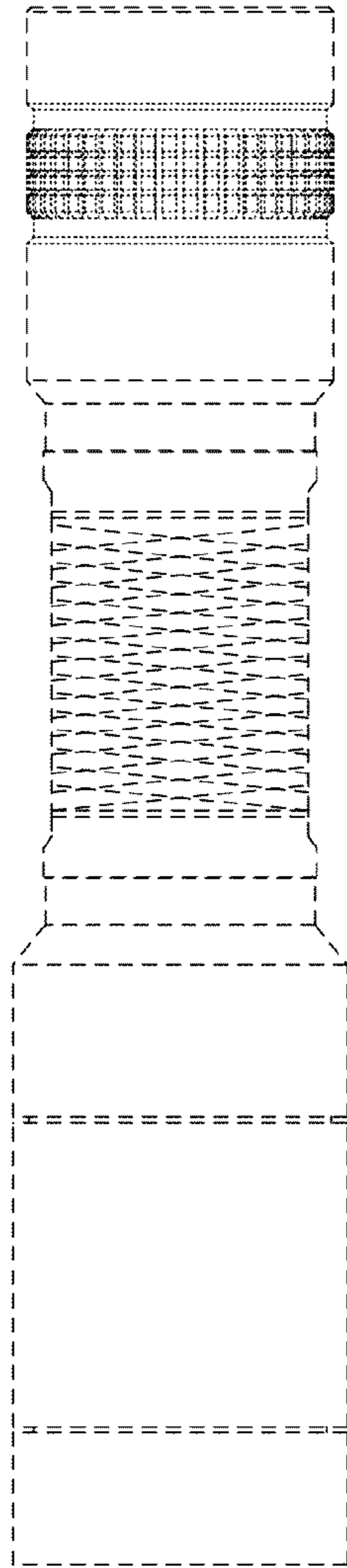


FIG. 22

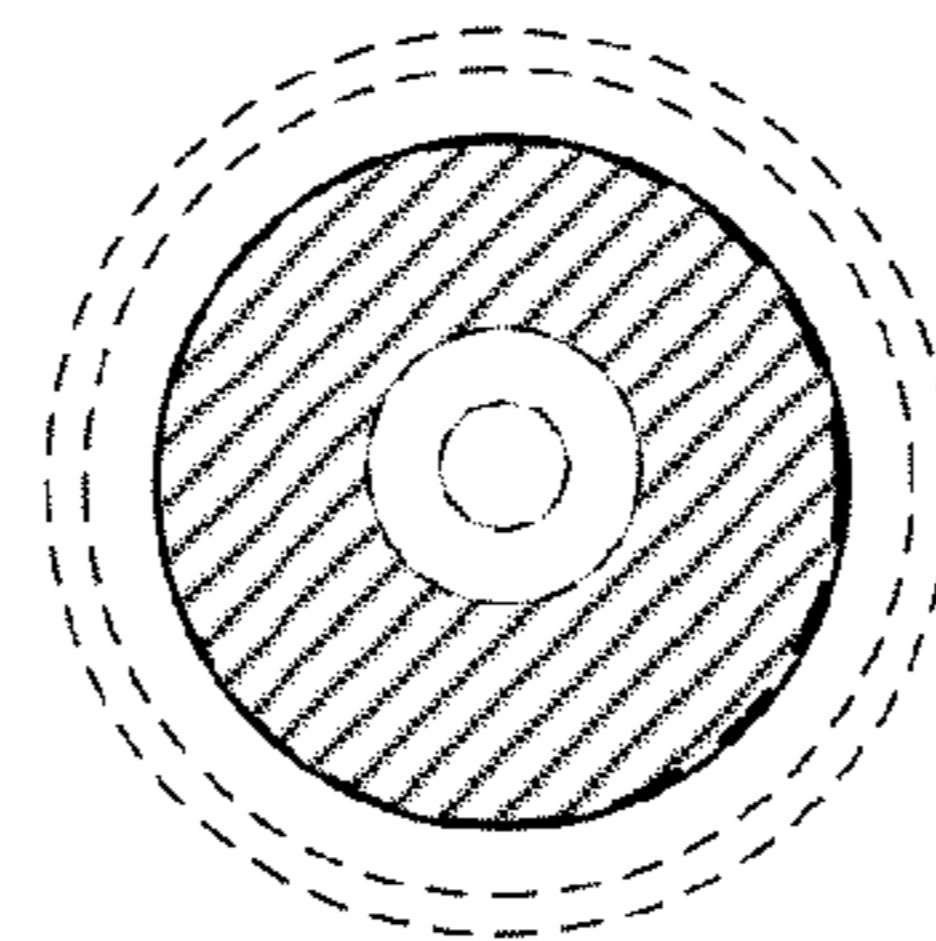


FIG. 23

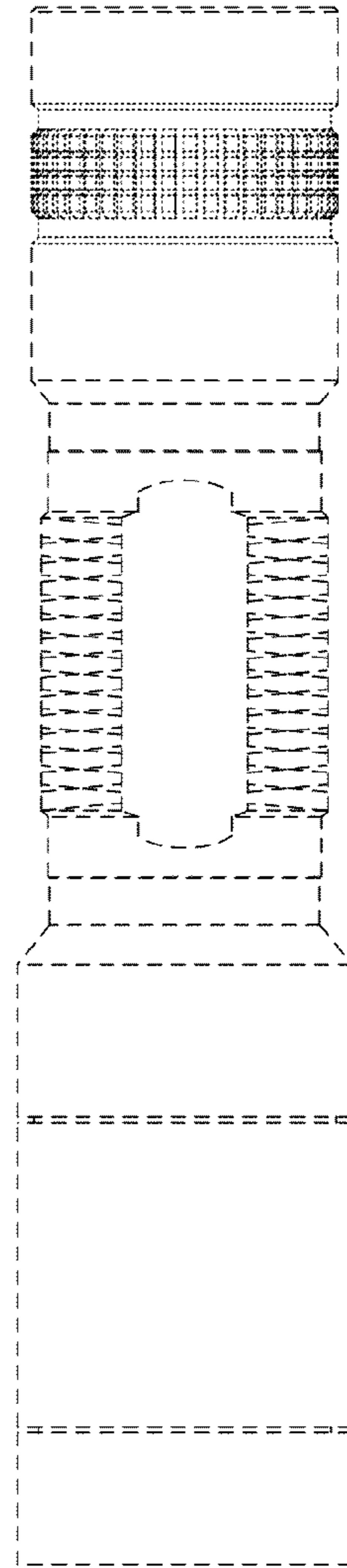


FIG. 24

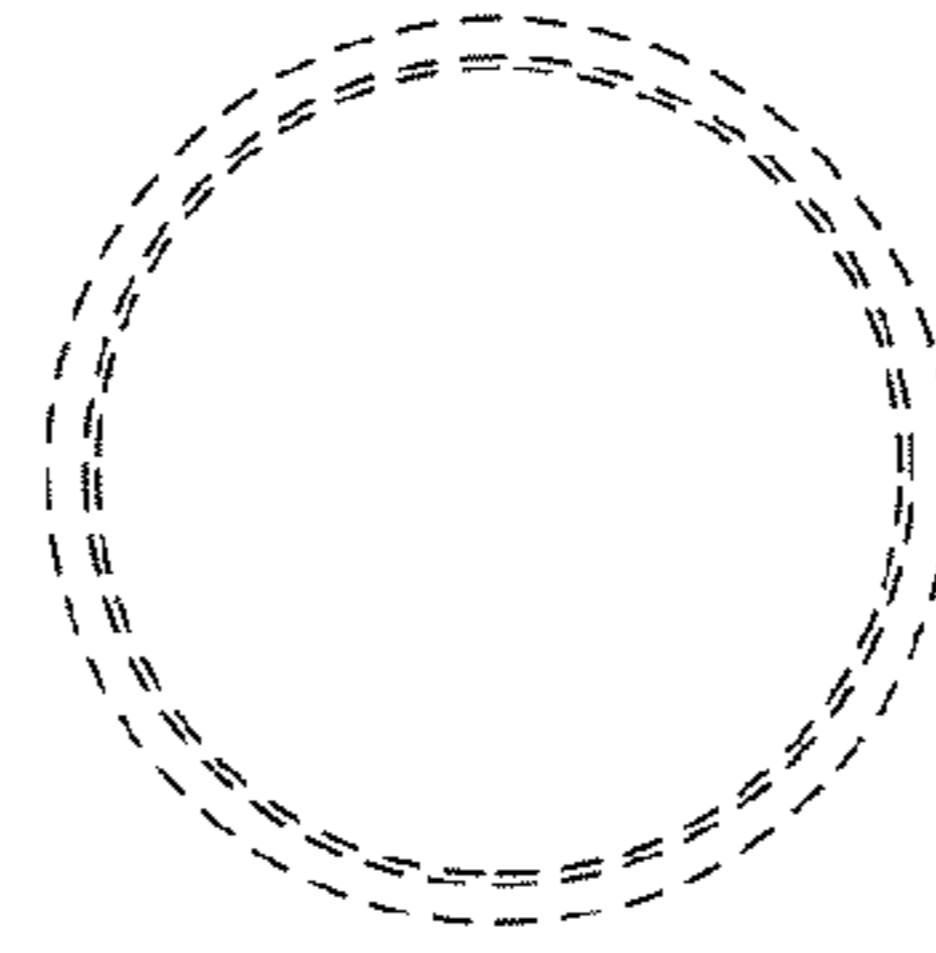


FIG. 25

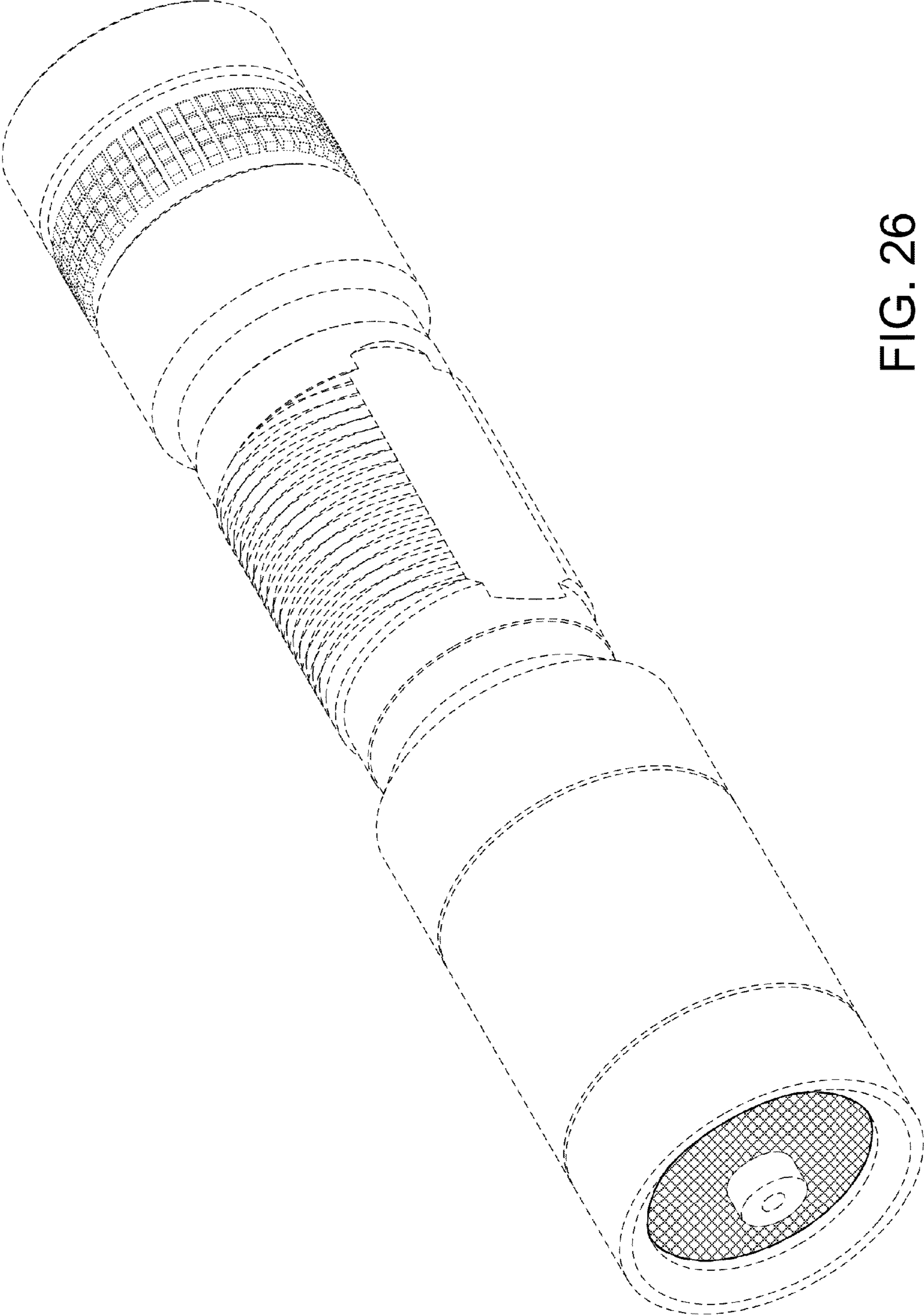


FIG. 26

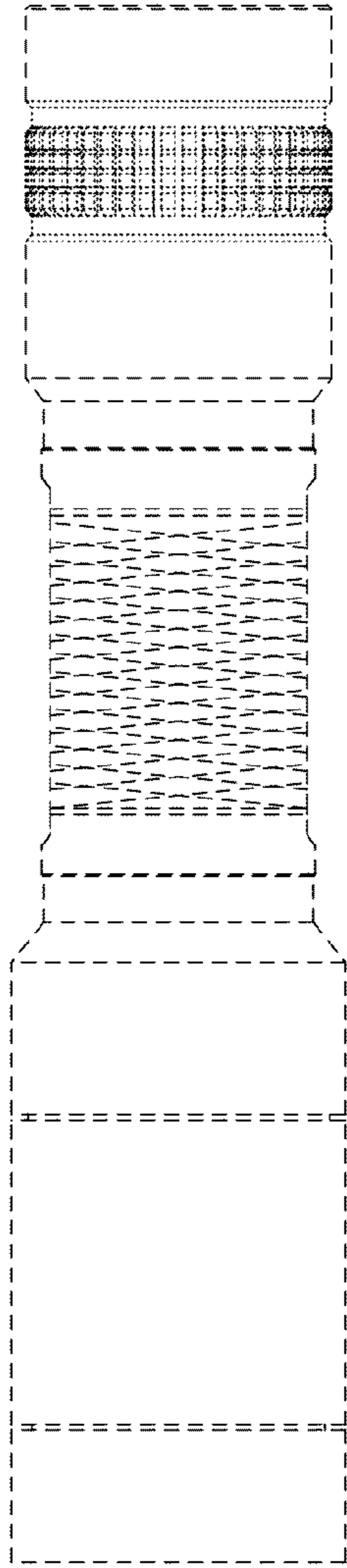


FIG. 27

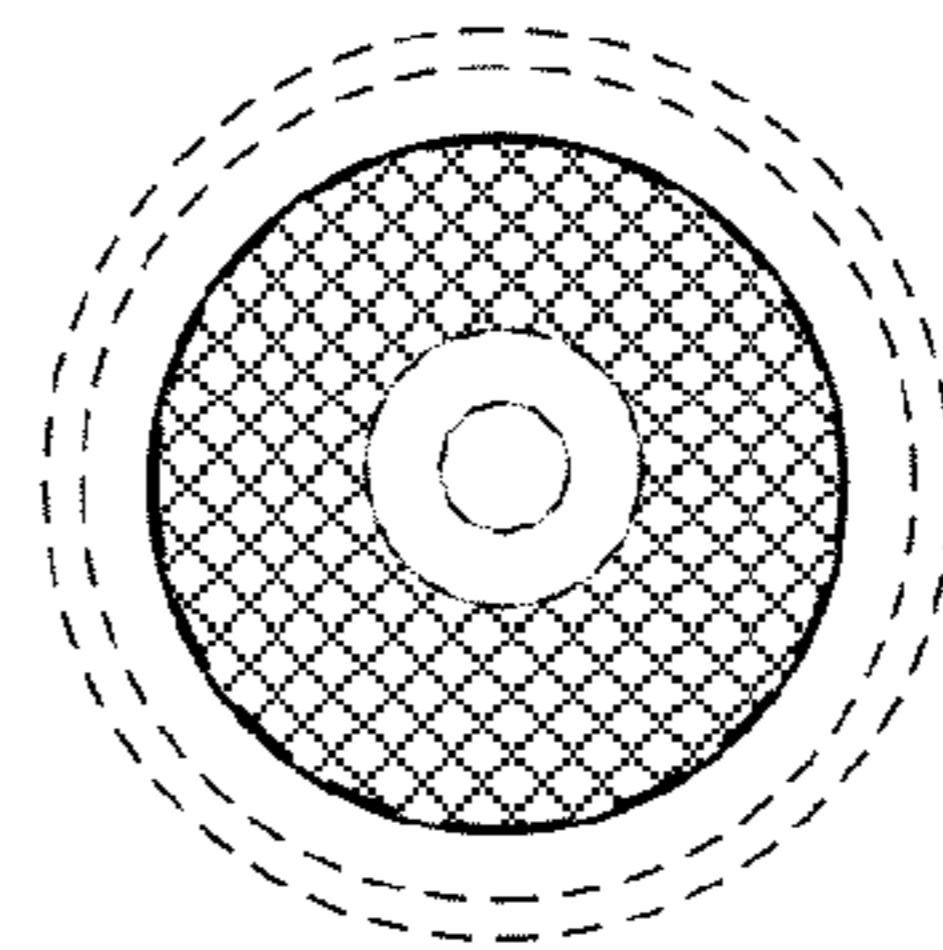


FIG. 28

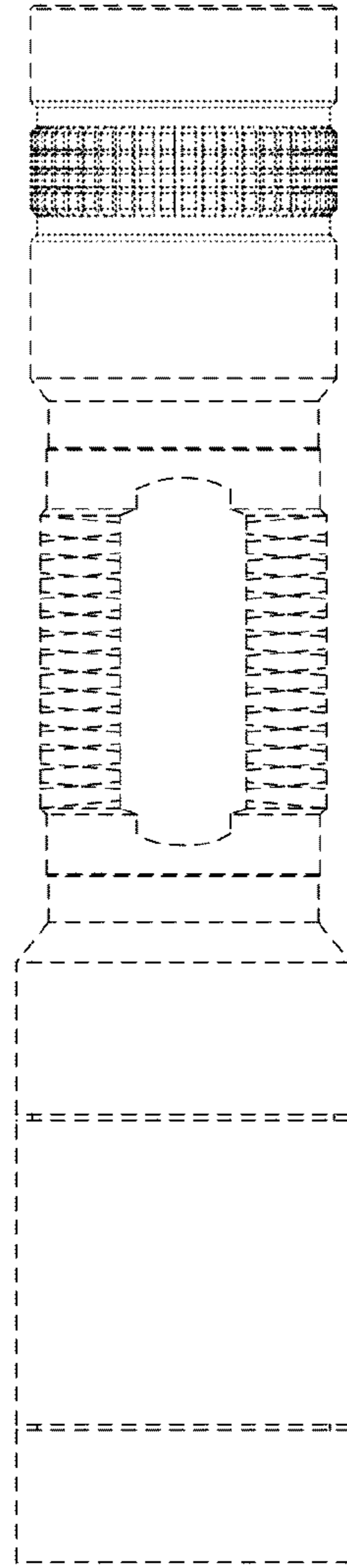


FIG. 29

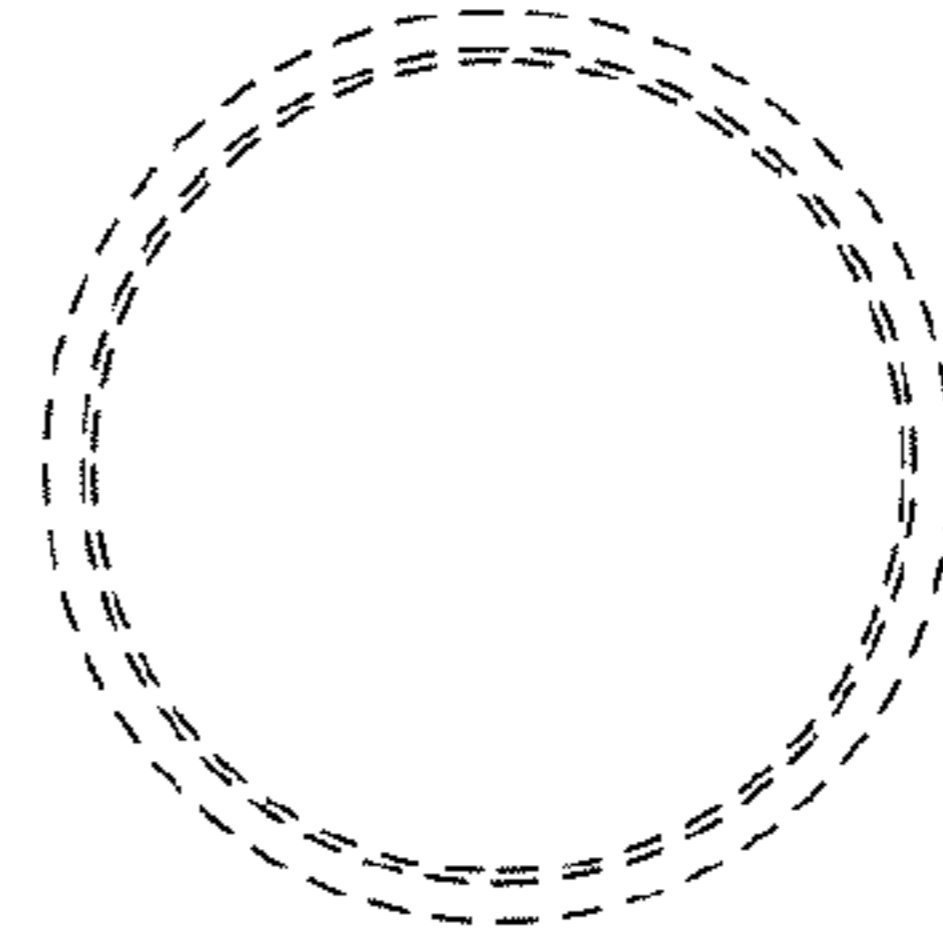


FIG. 30

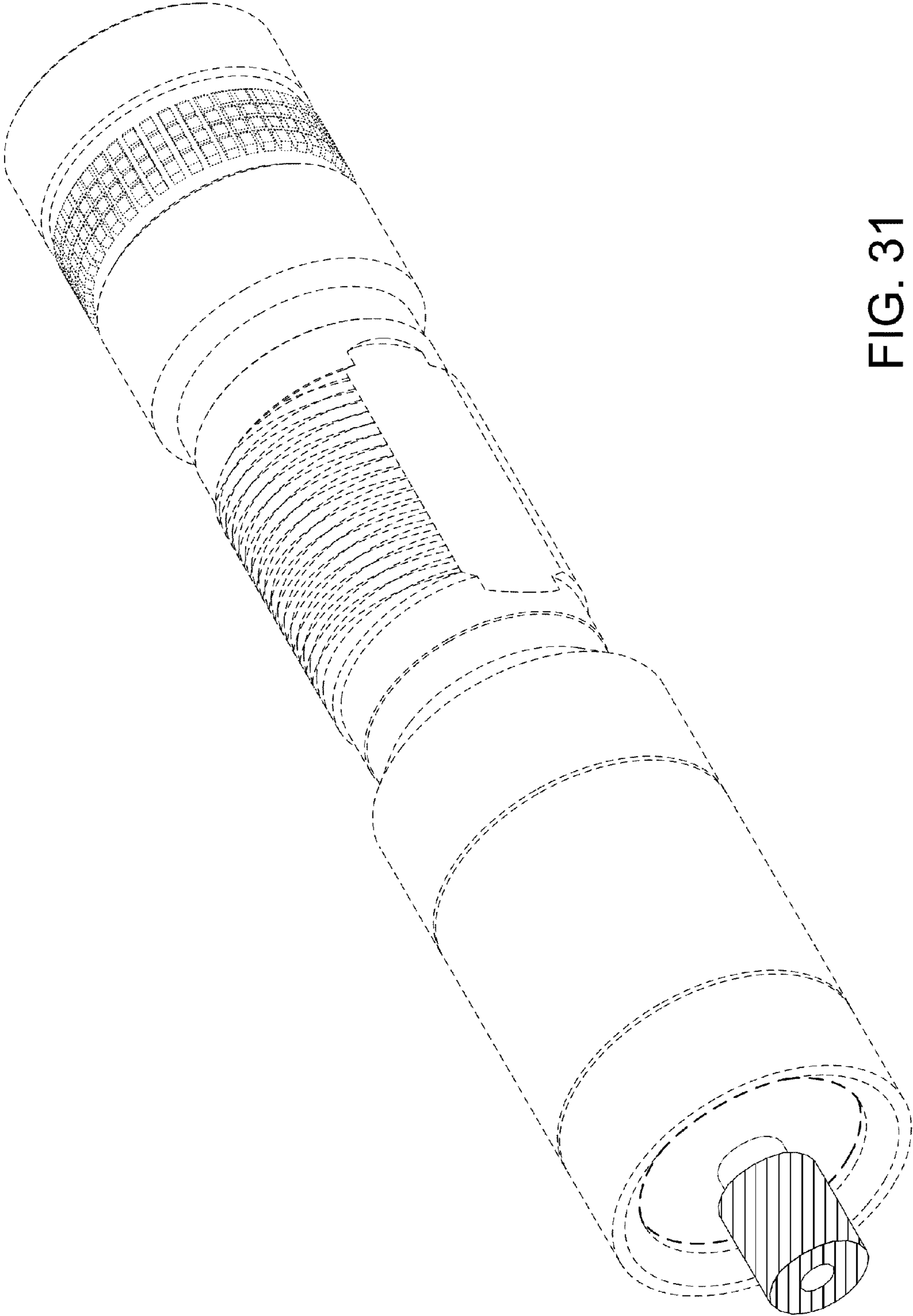


FIG. 31



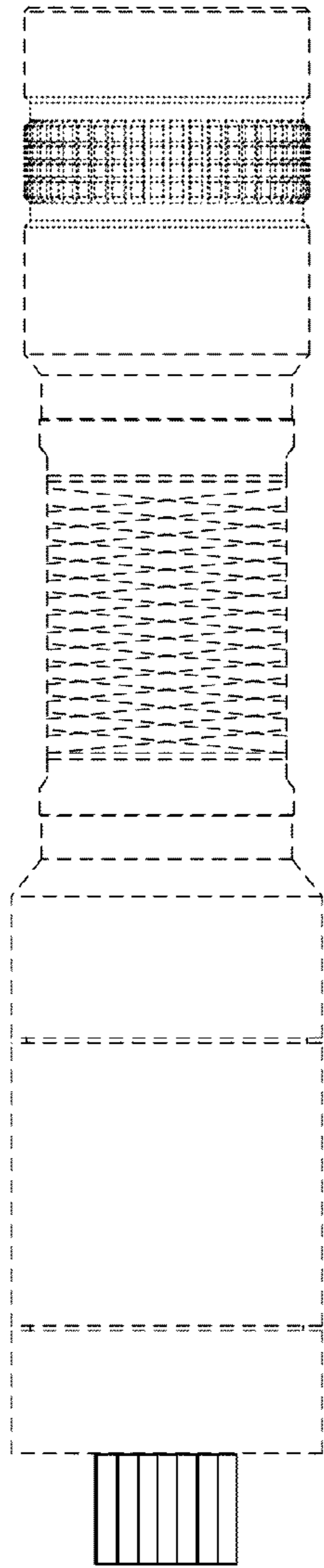


FIG. 32

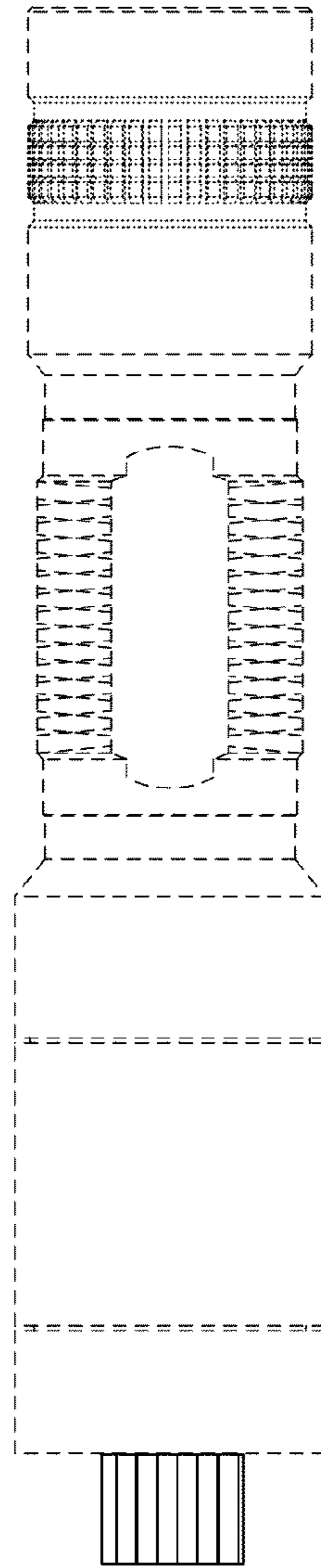


FIG. 34

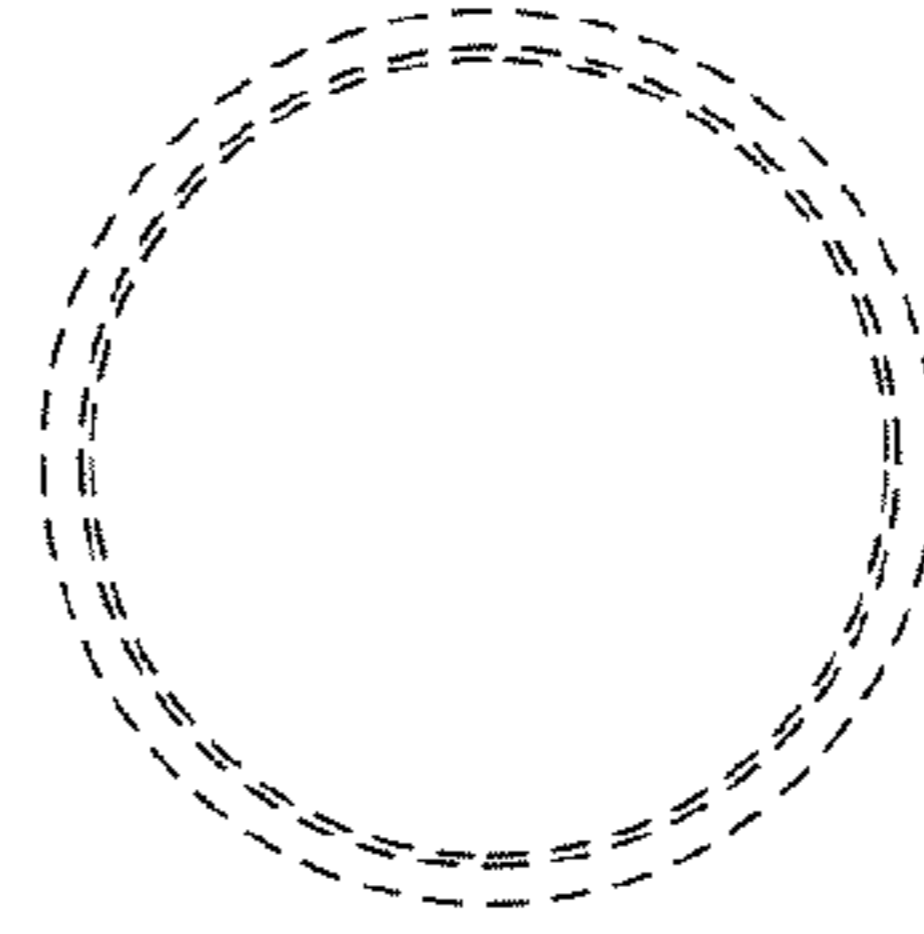


FIG. 35

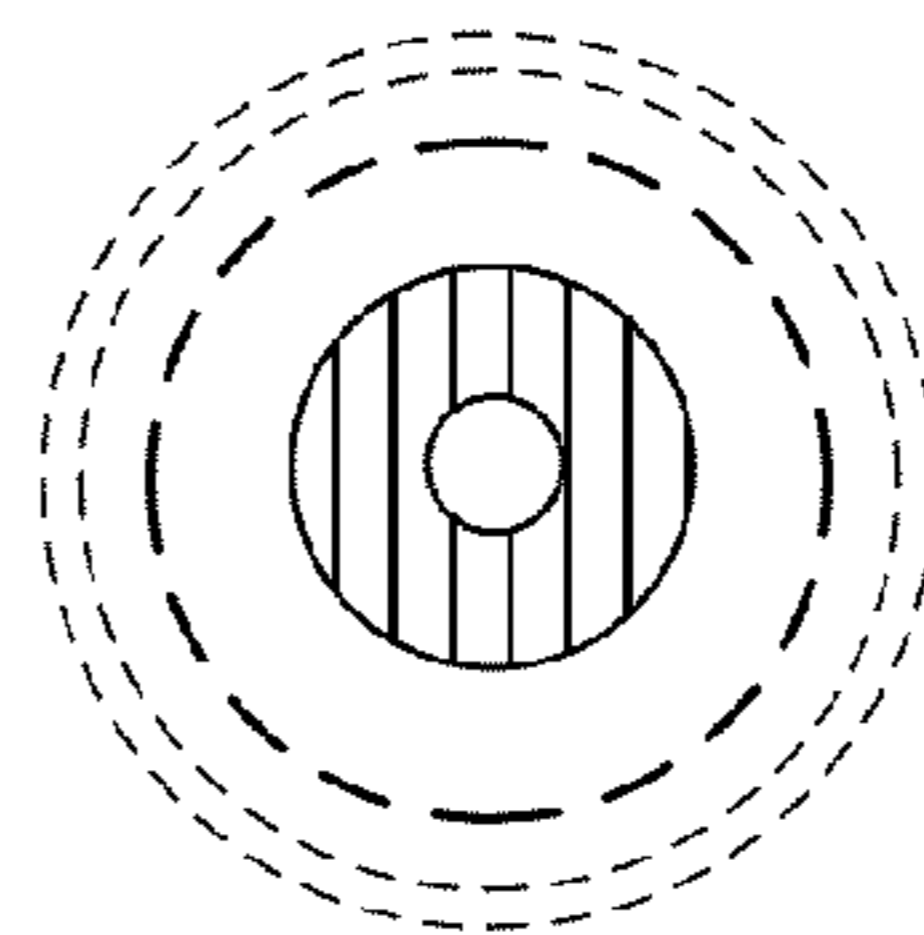


FIG. 33

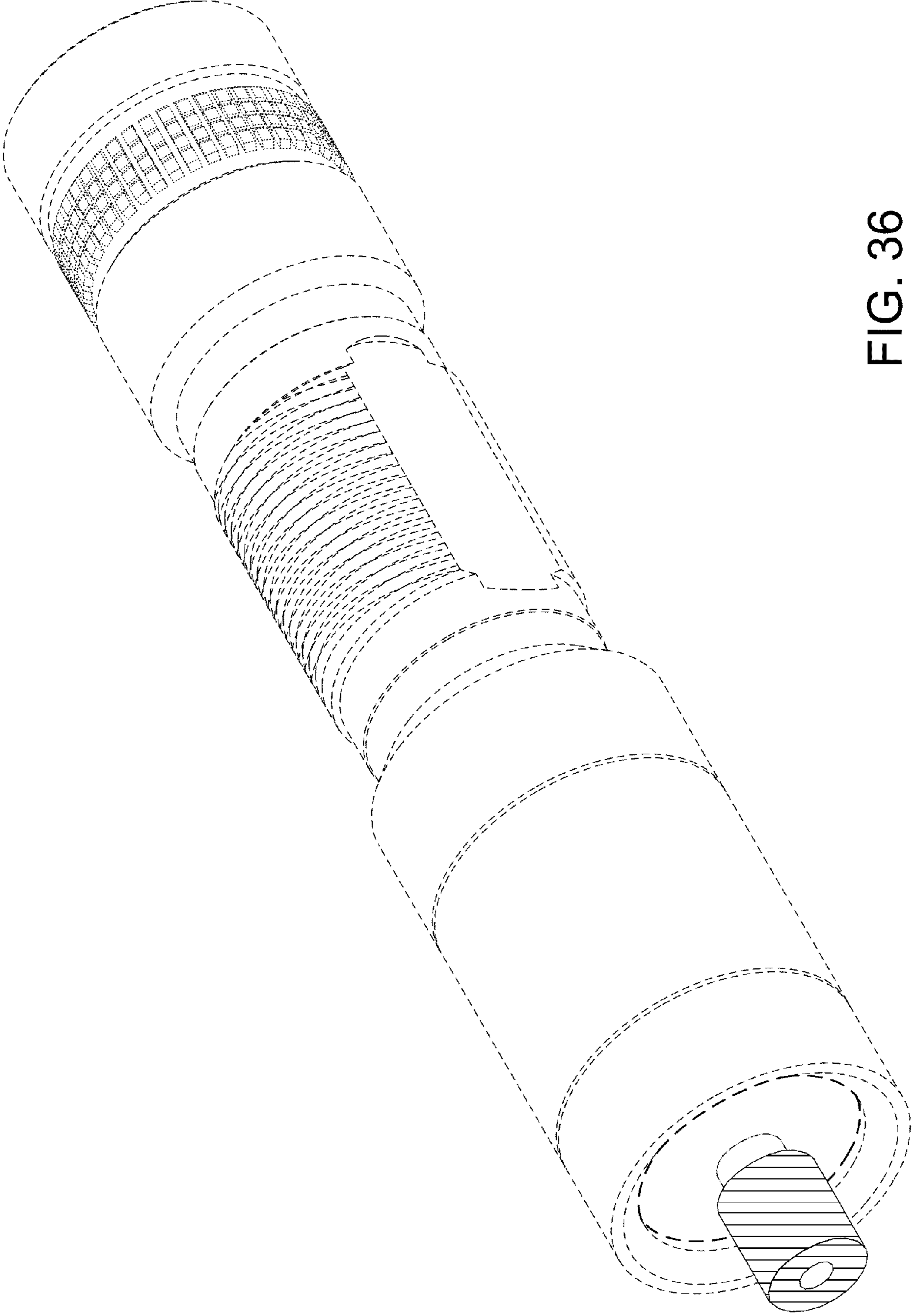


FIG. 36

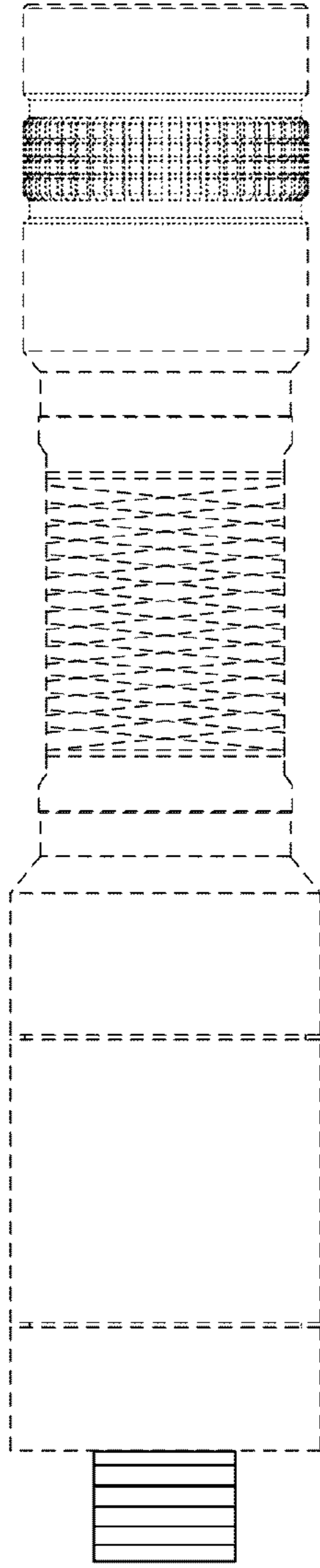


FIG. 37

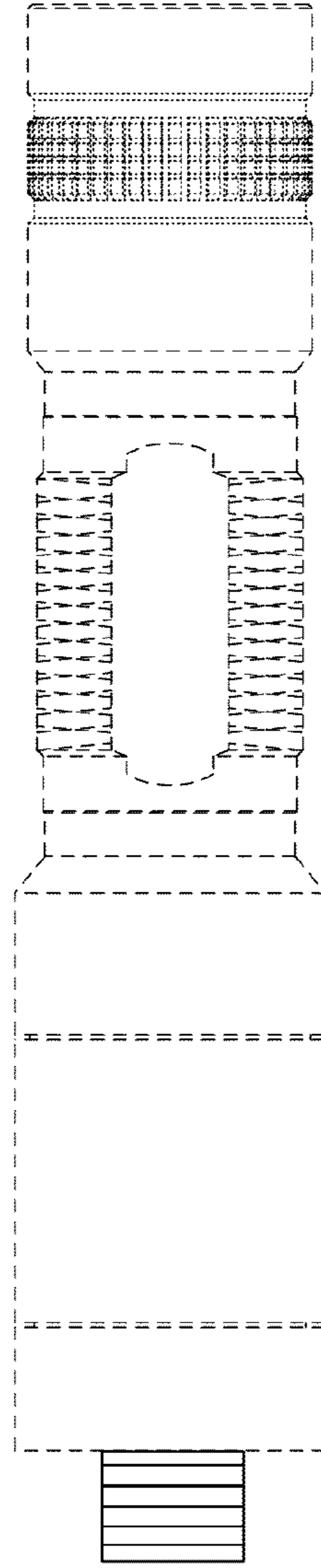


FIG. 39

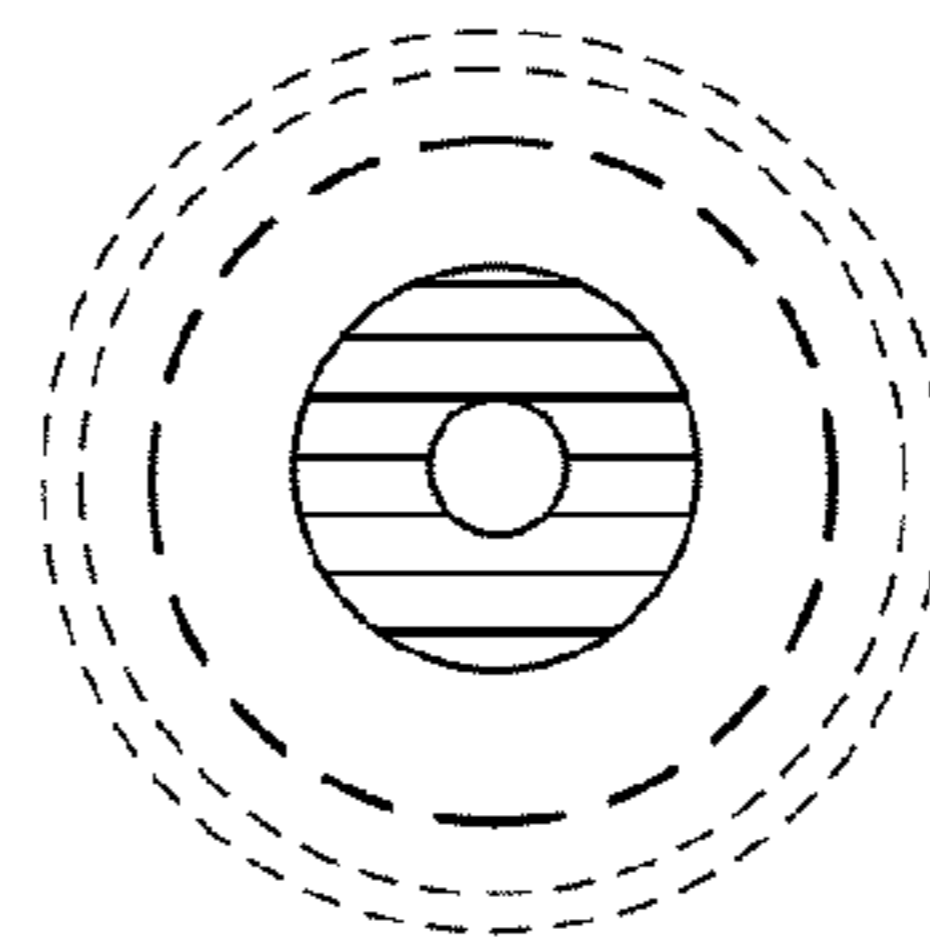


FIG. 38

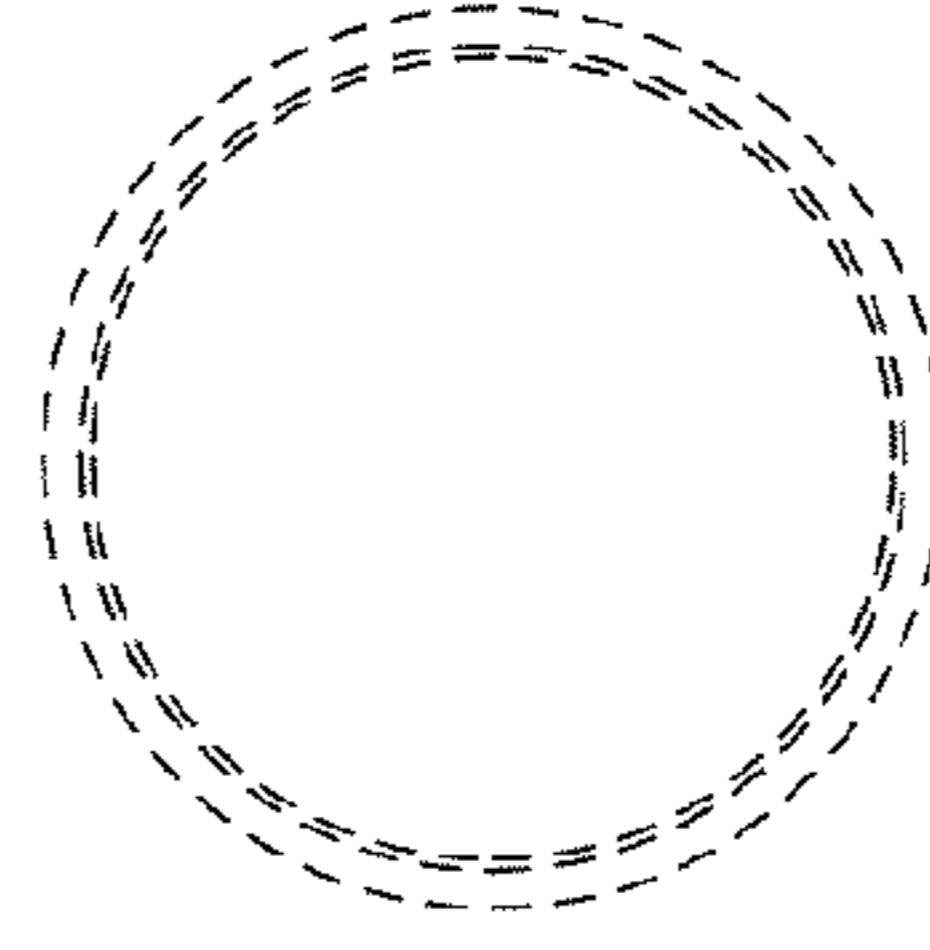


FIG. 40

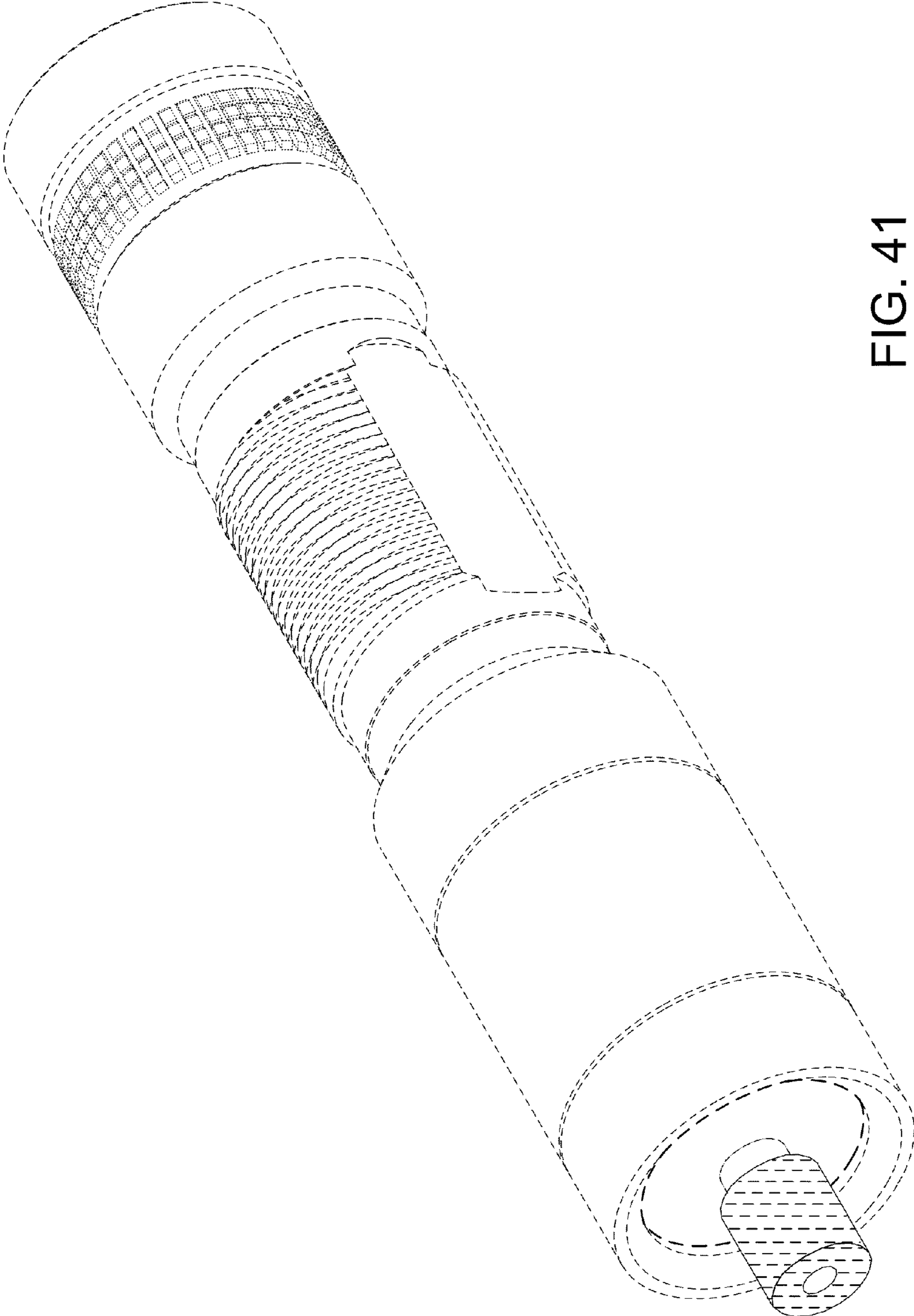


FIG. 41

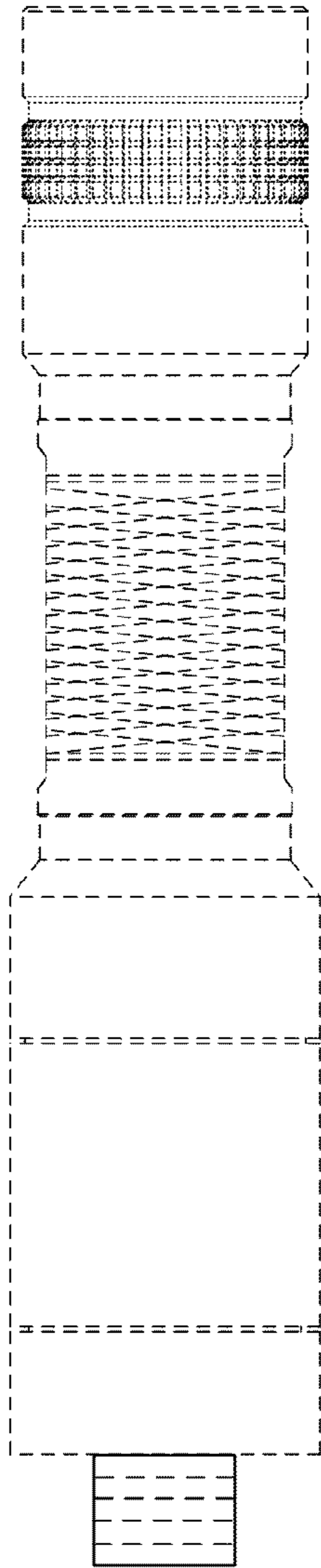


FIG. 42

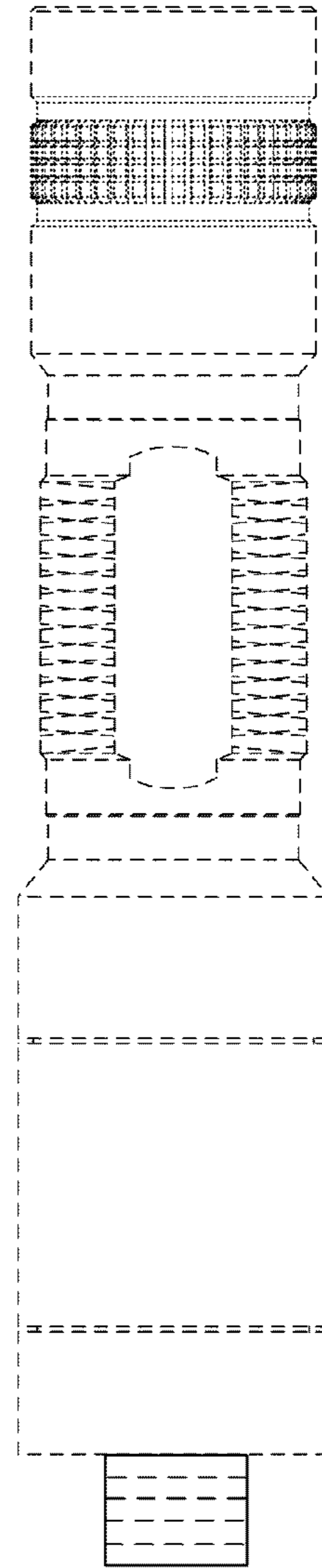


FIG. 44

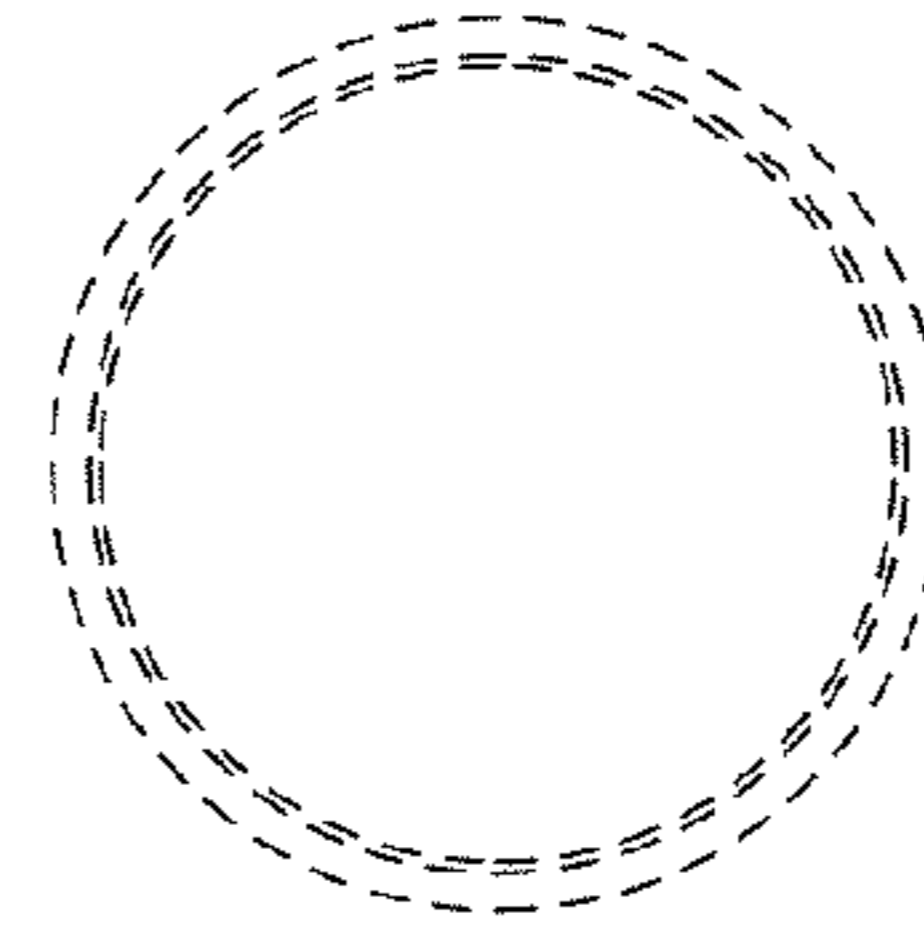


FIG. 45

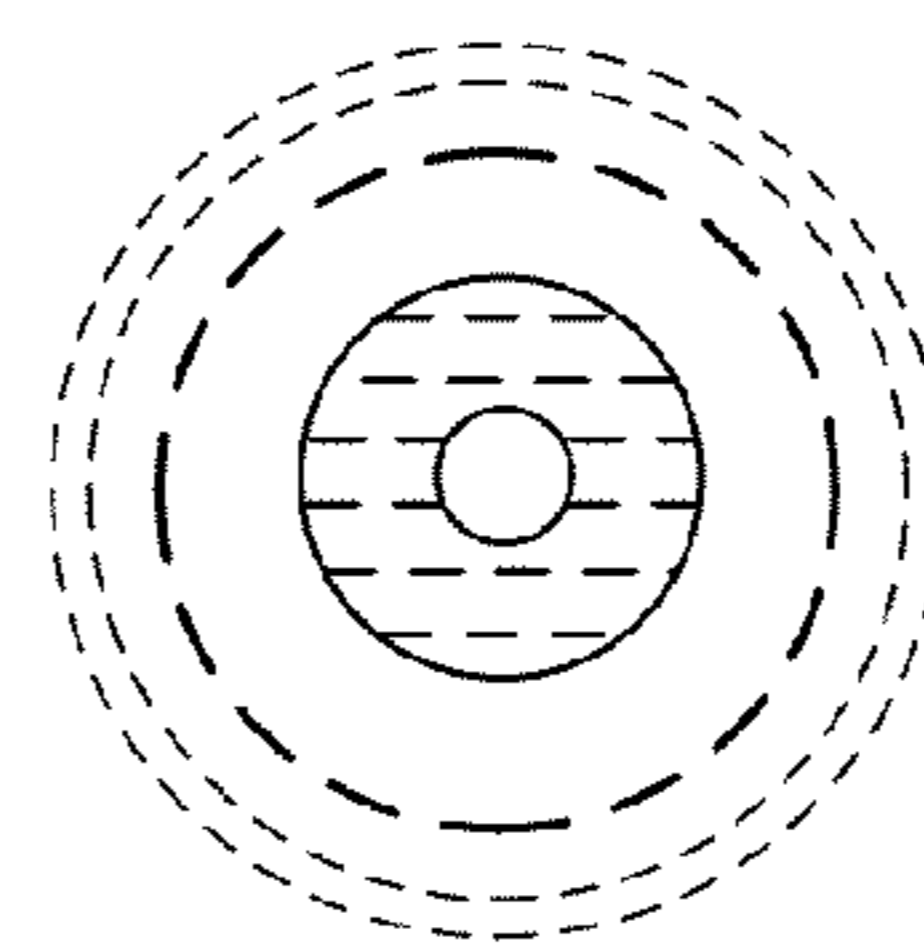


FIG. 43

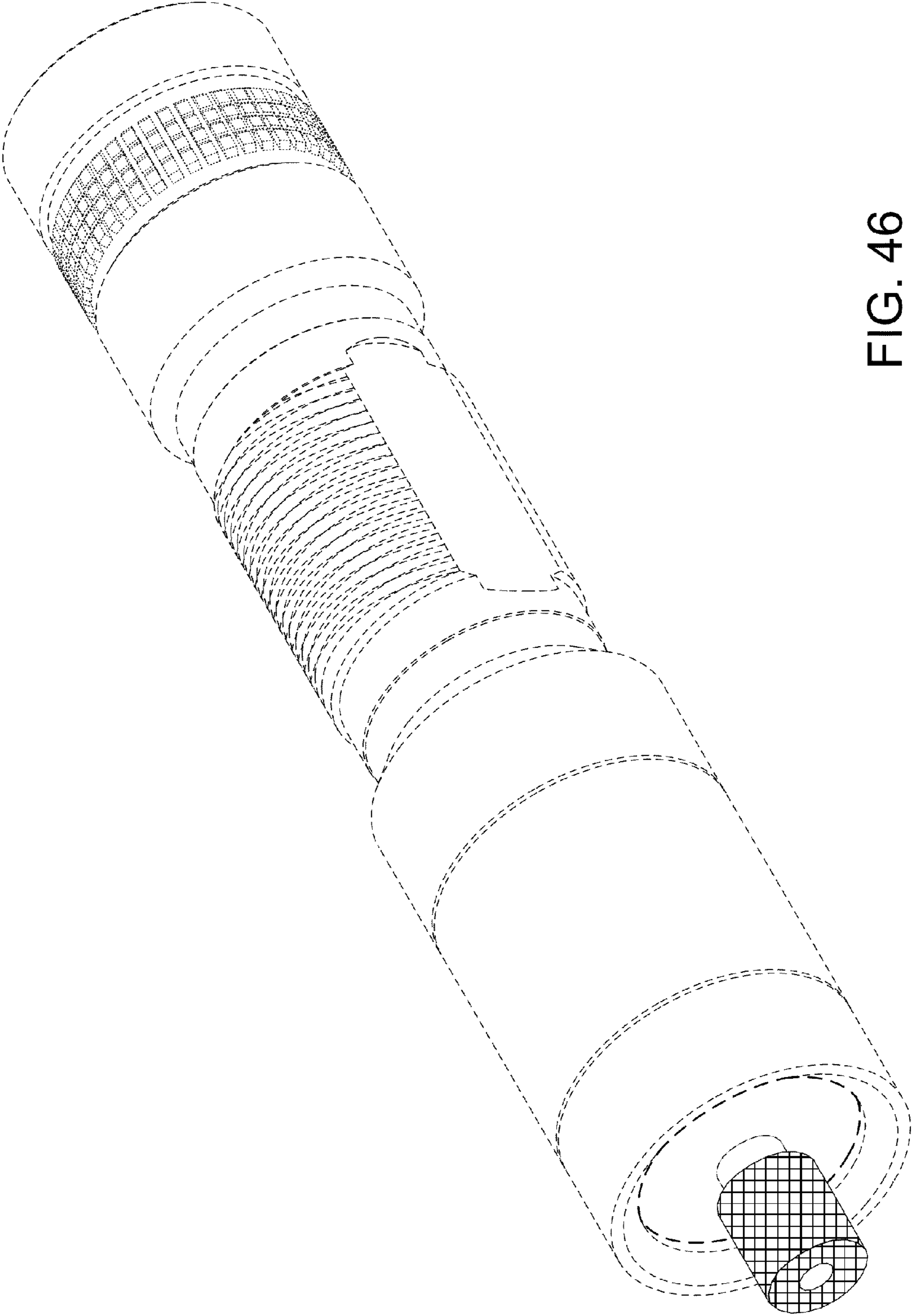


FIG. 46

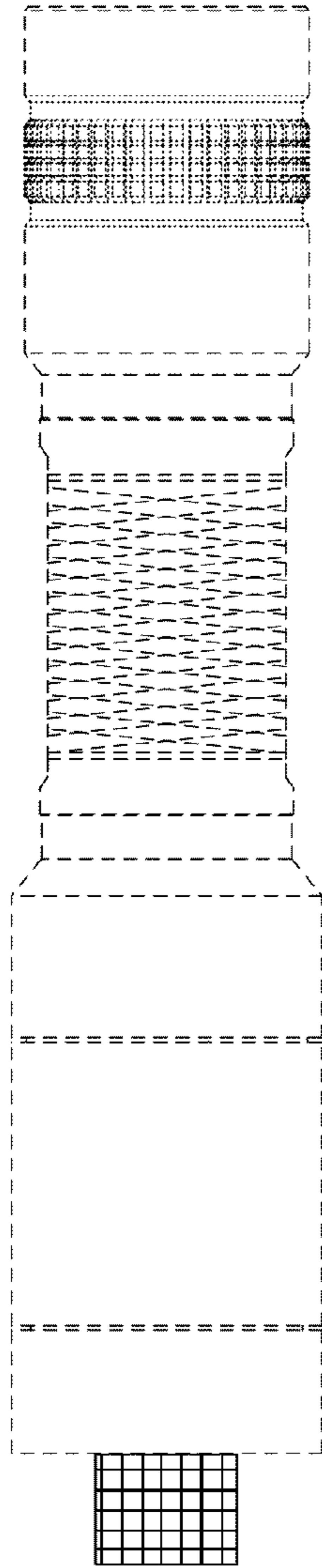


FIG. 47

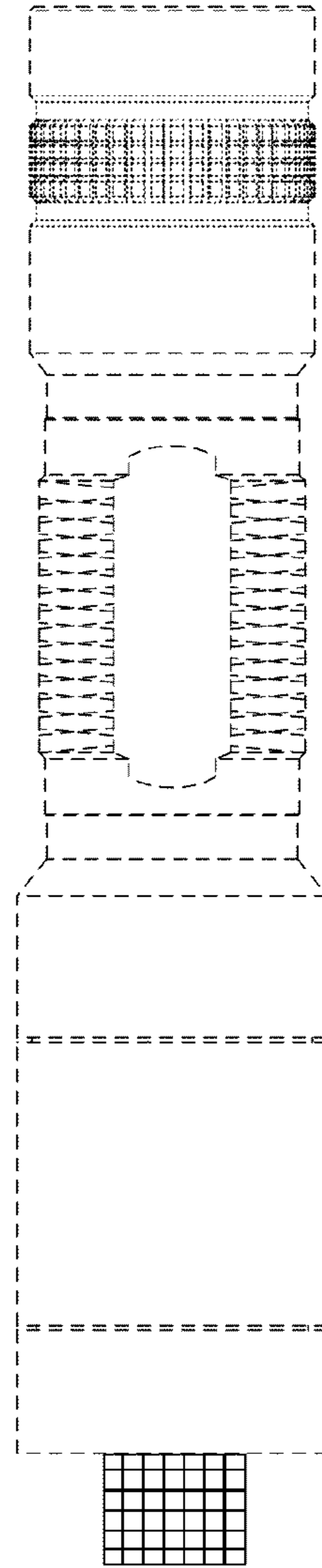


FIG. 49

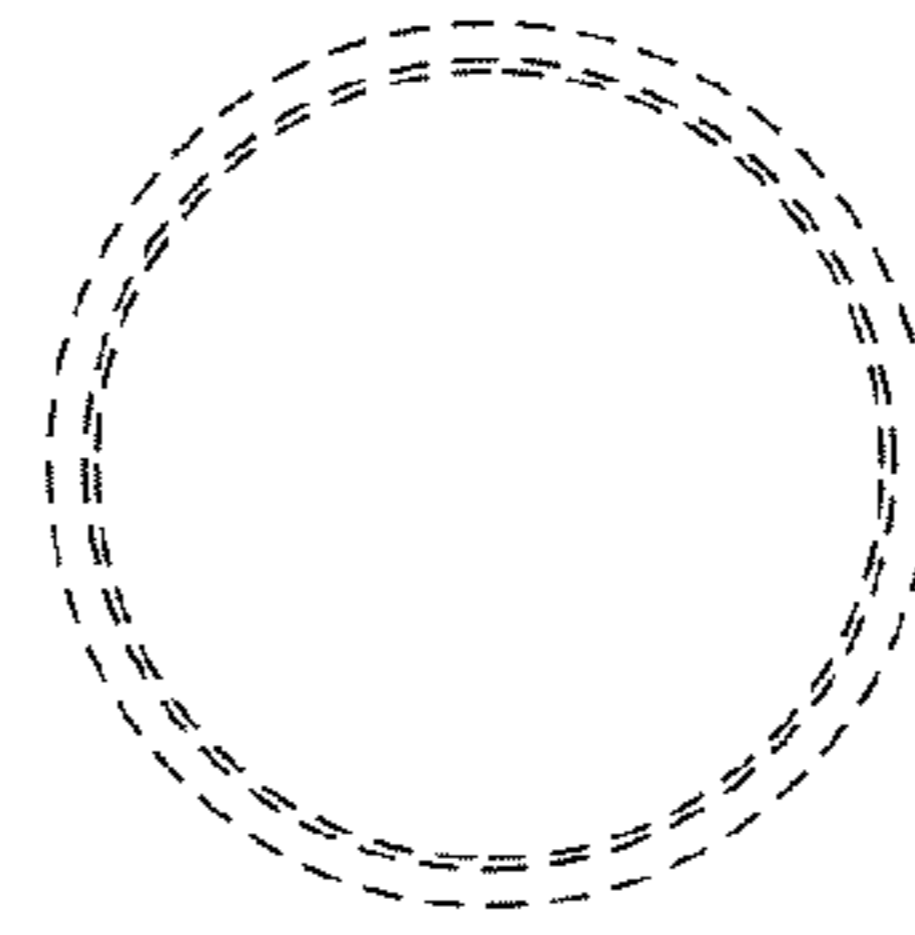


FIG. 50

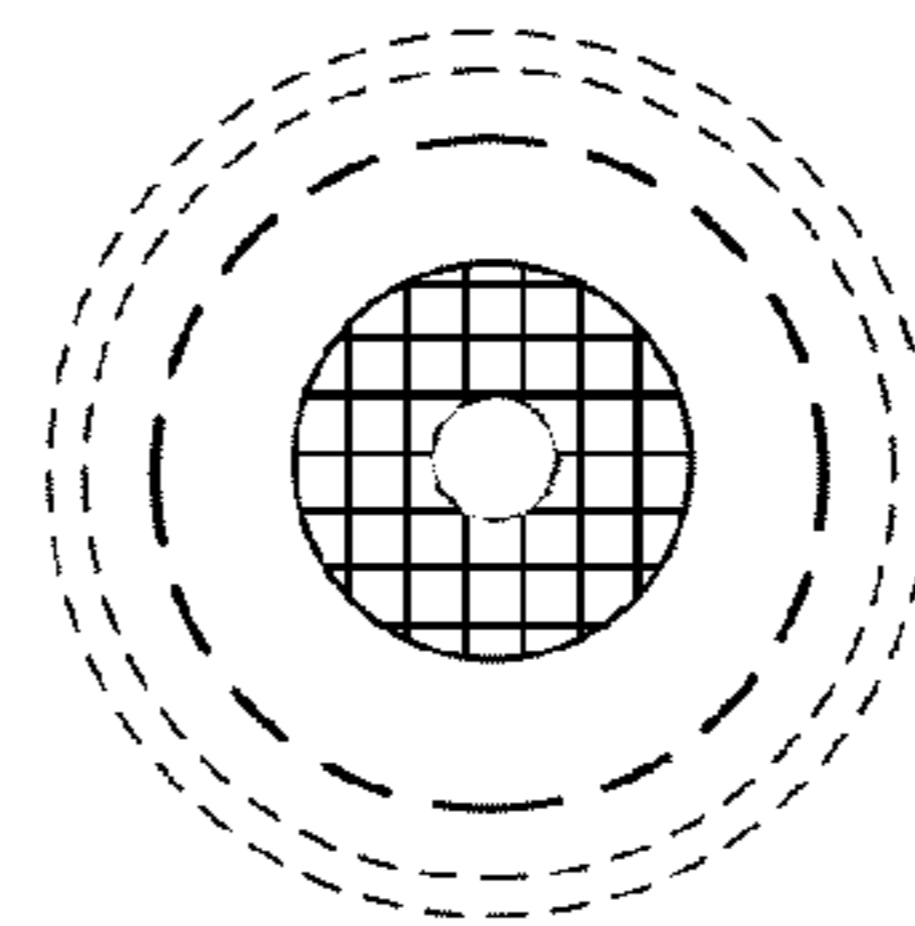


FIG. 48

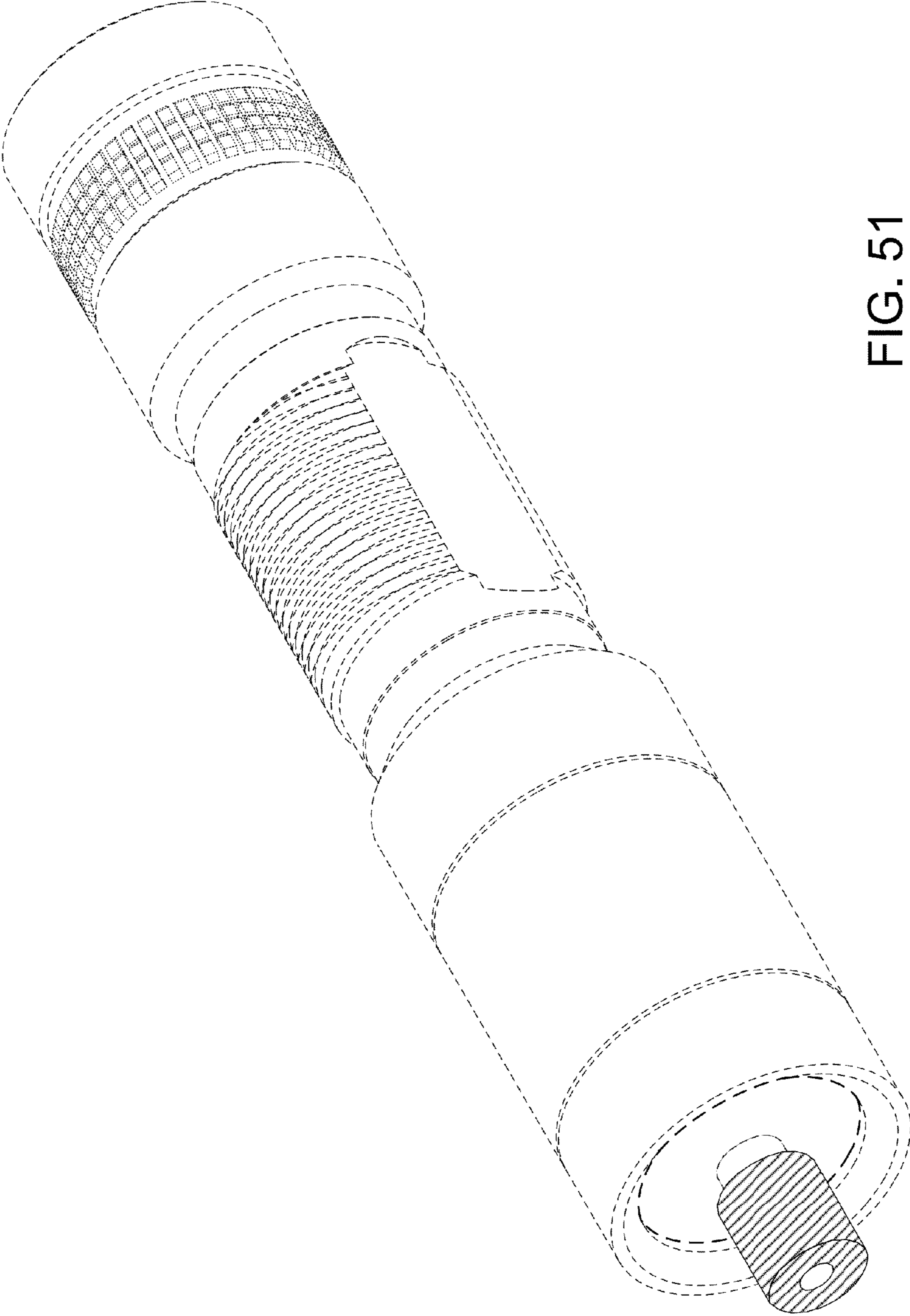


FIG. 51



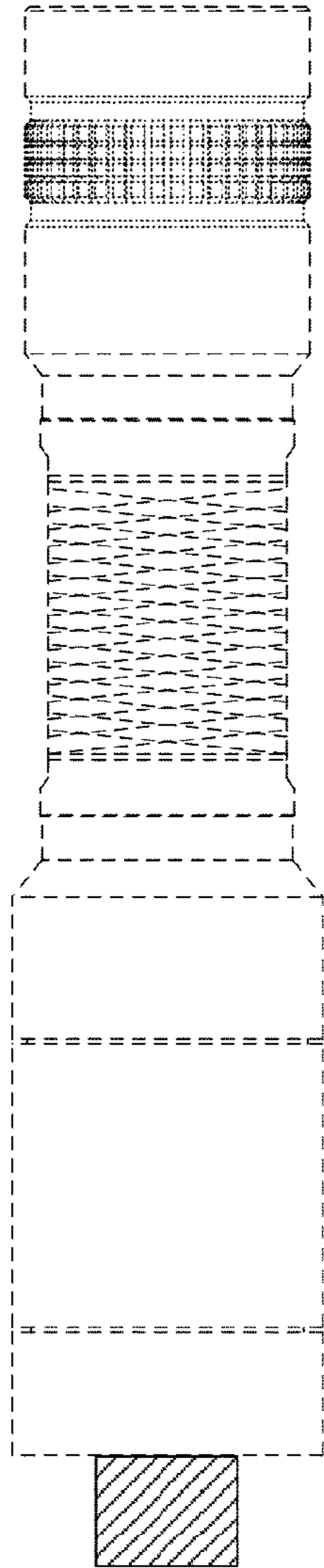


FIG. 52

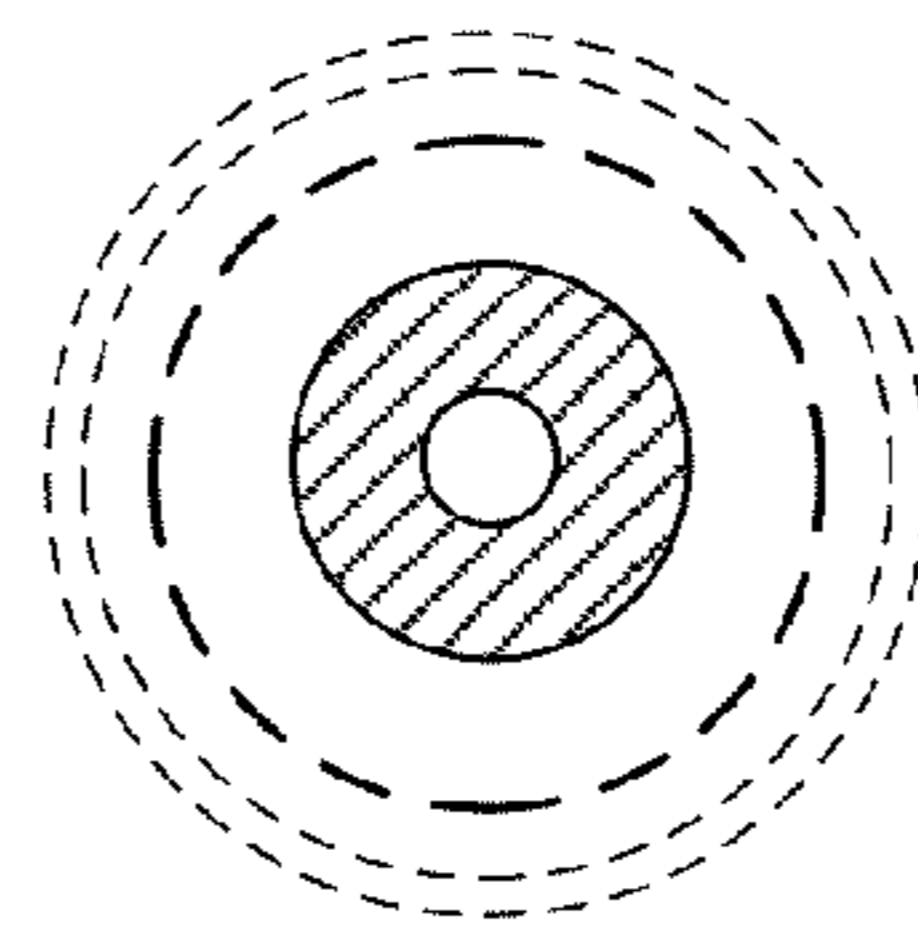


FIG. 53

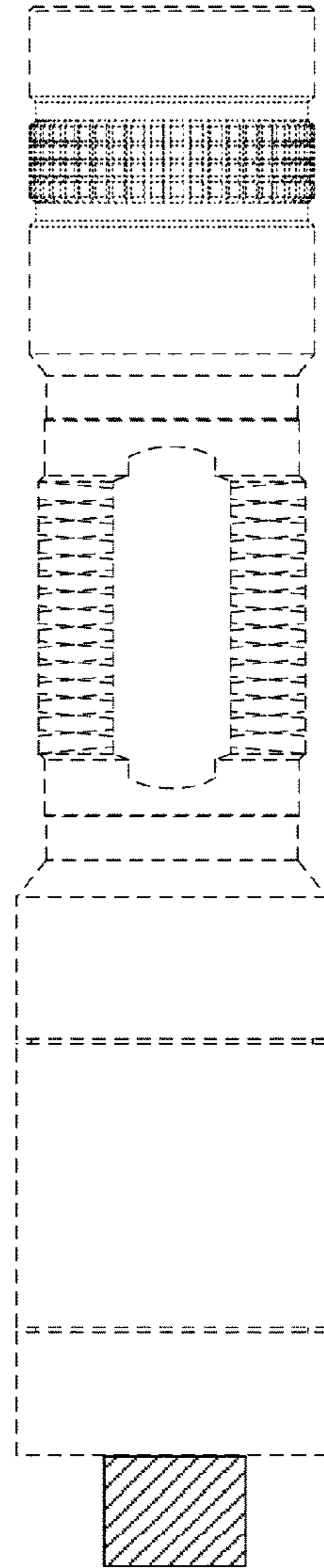


FIG. 54

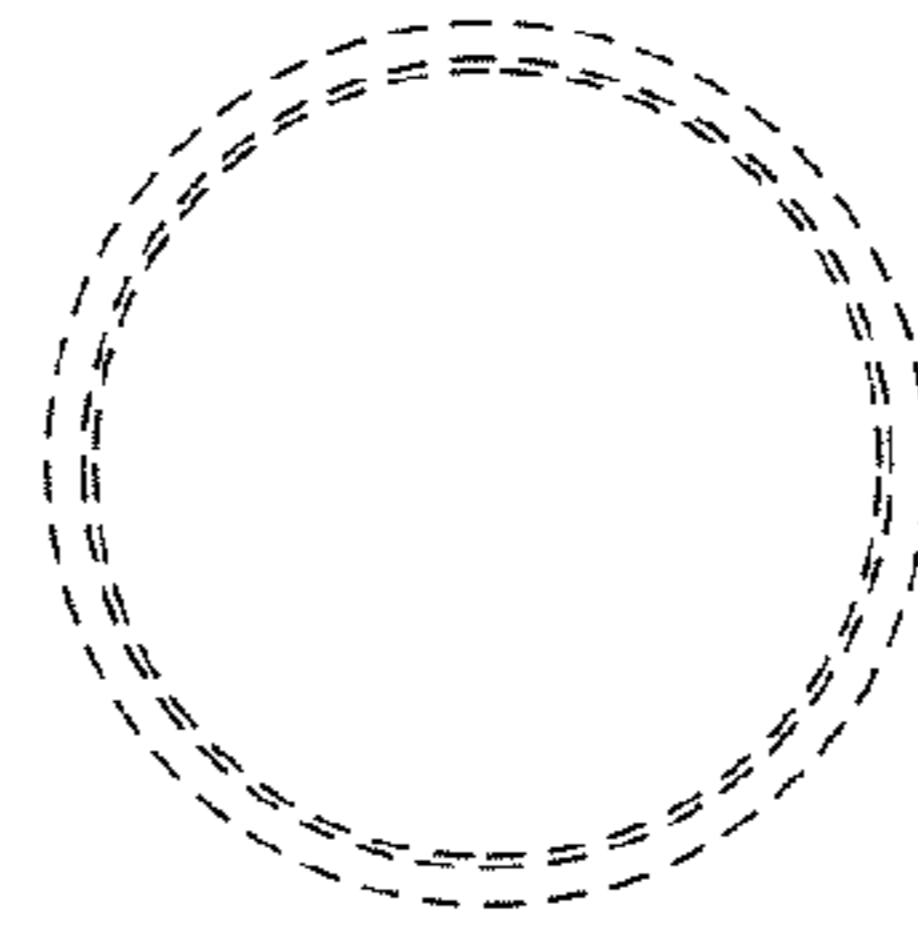


FIG. 55

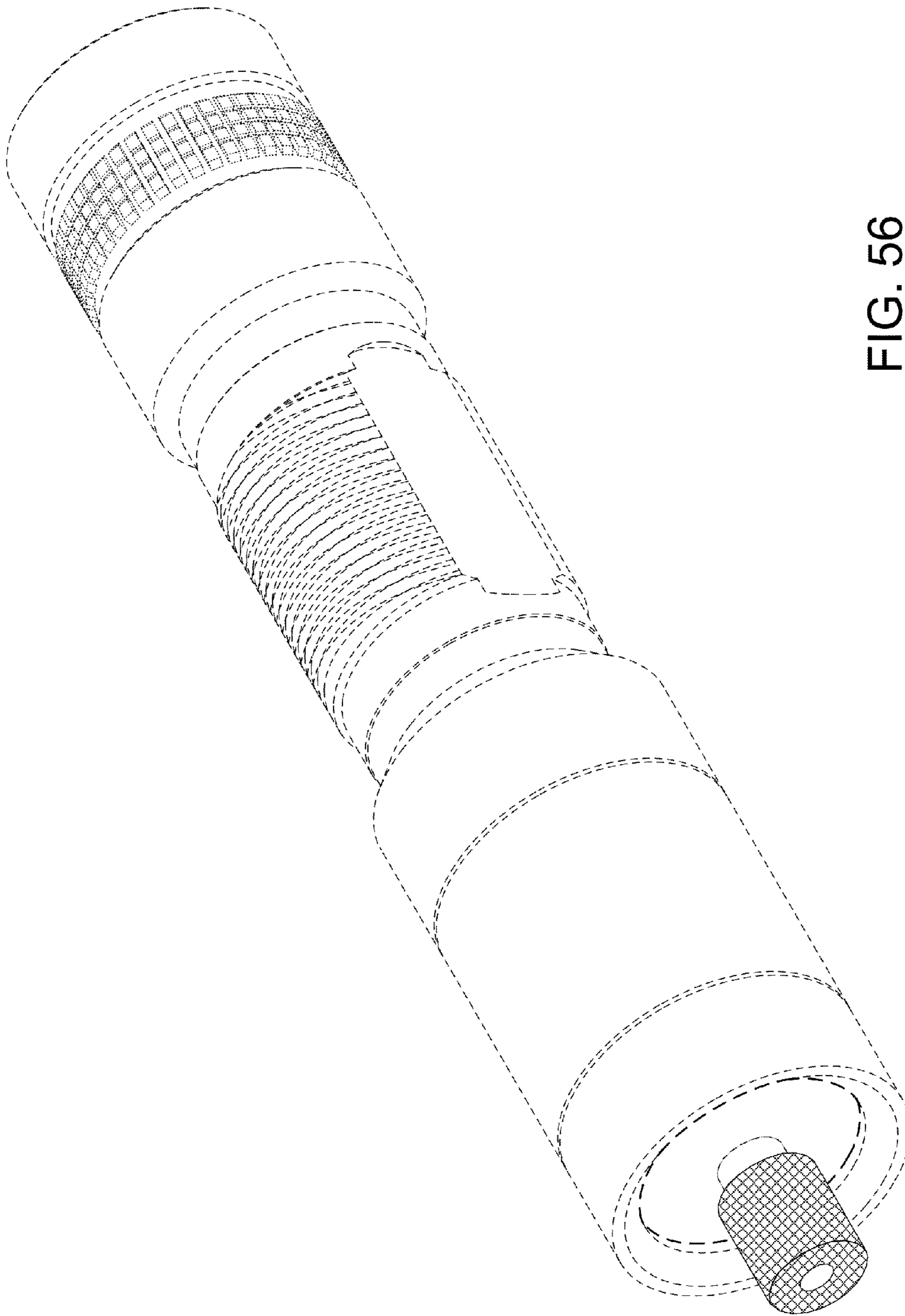


FIG. 56

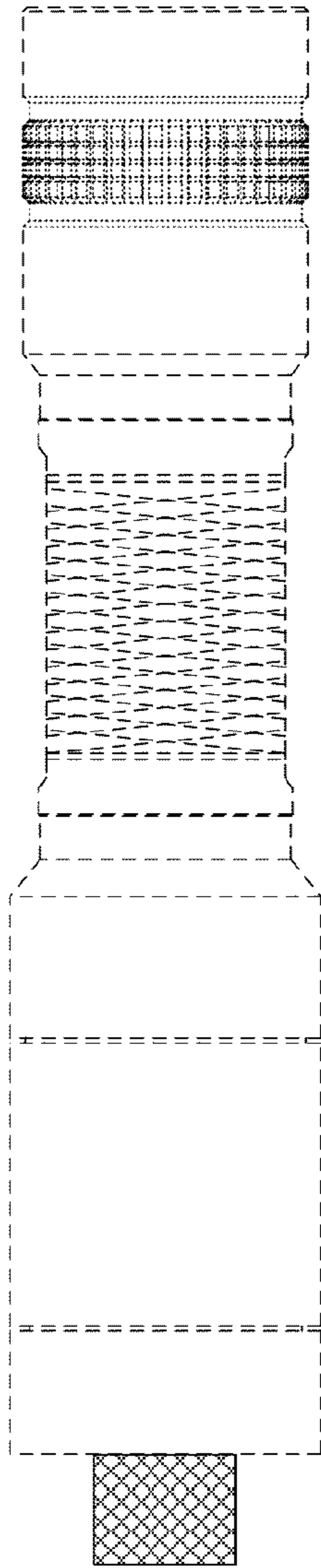


FIG. 57

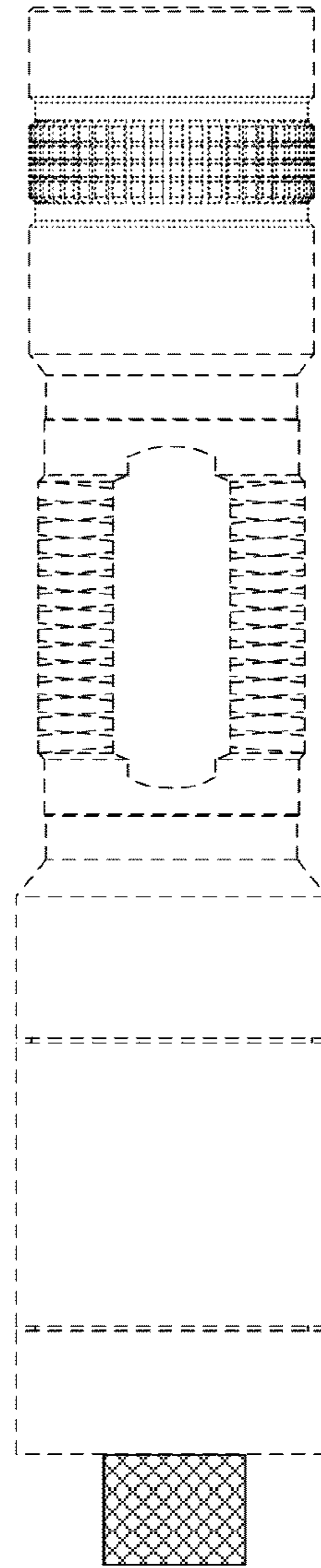


FIG. 58

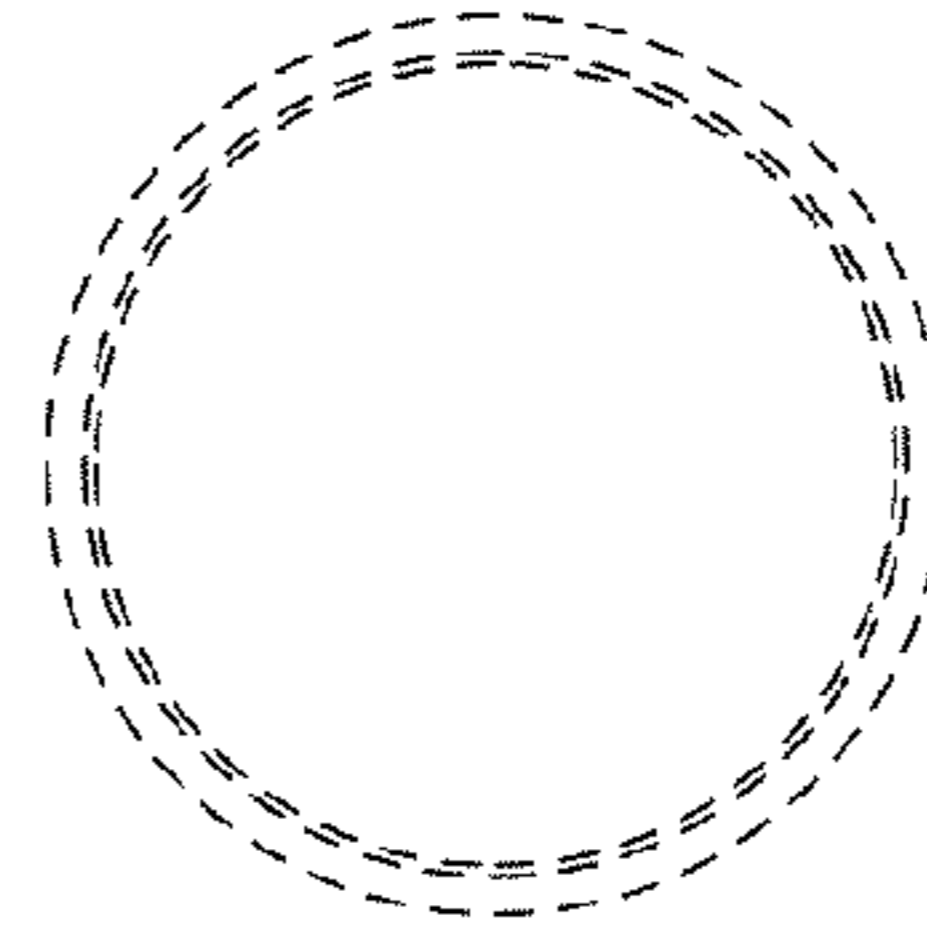


FIG. 59

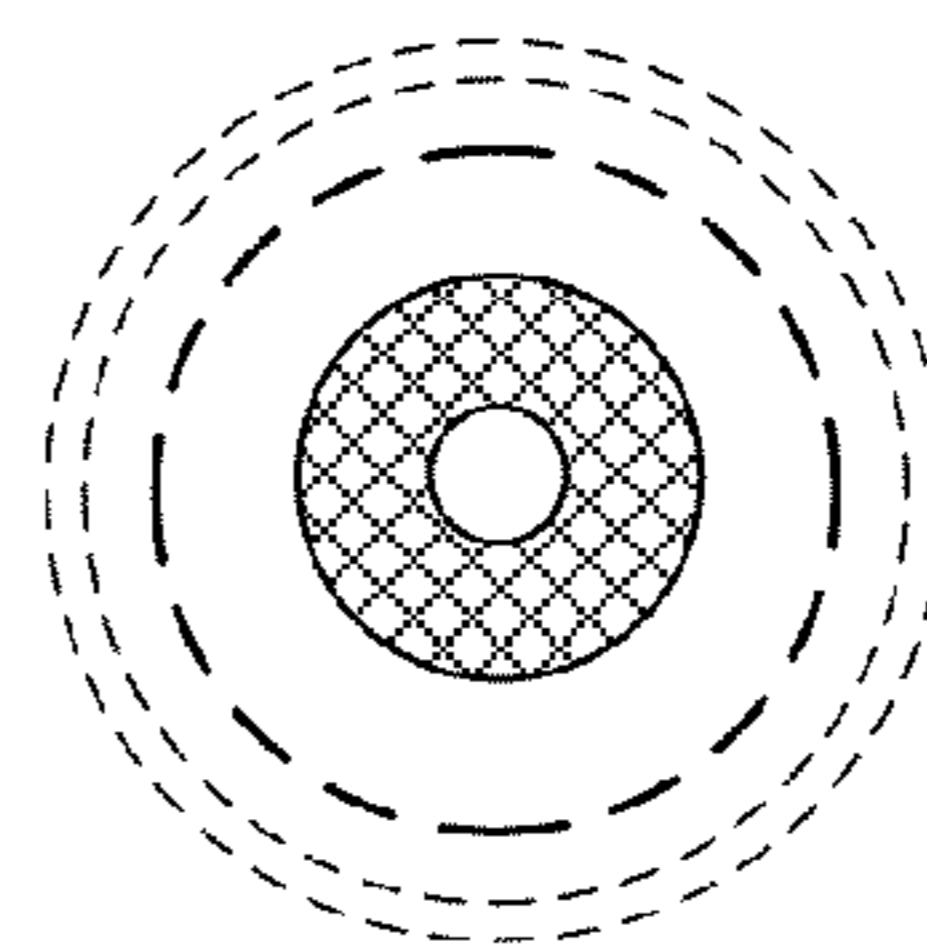


FIG. 60

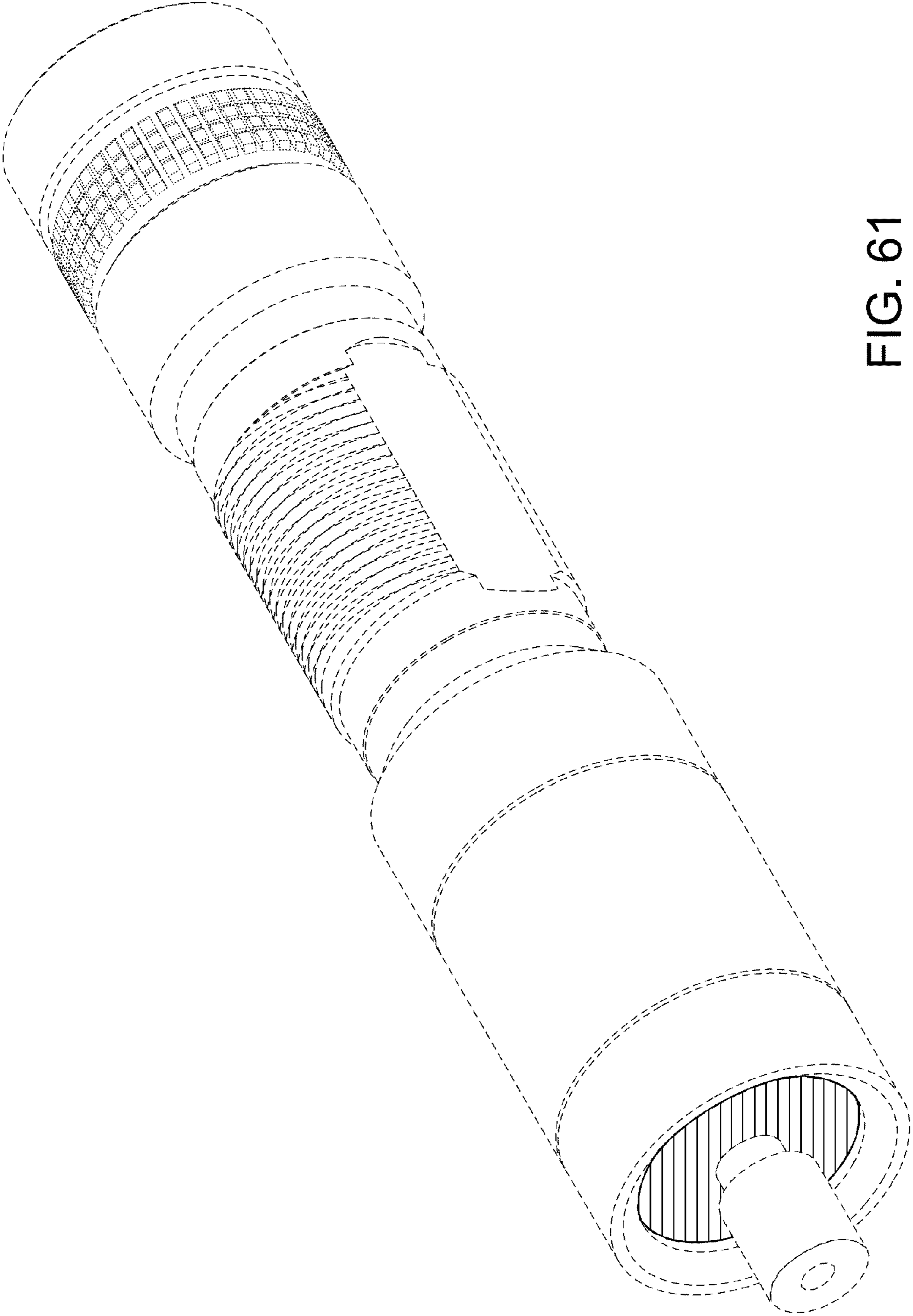


FIG. 61

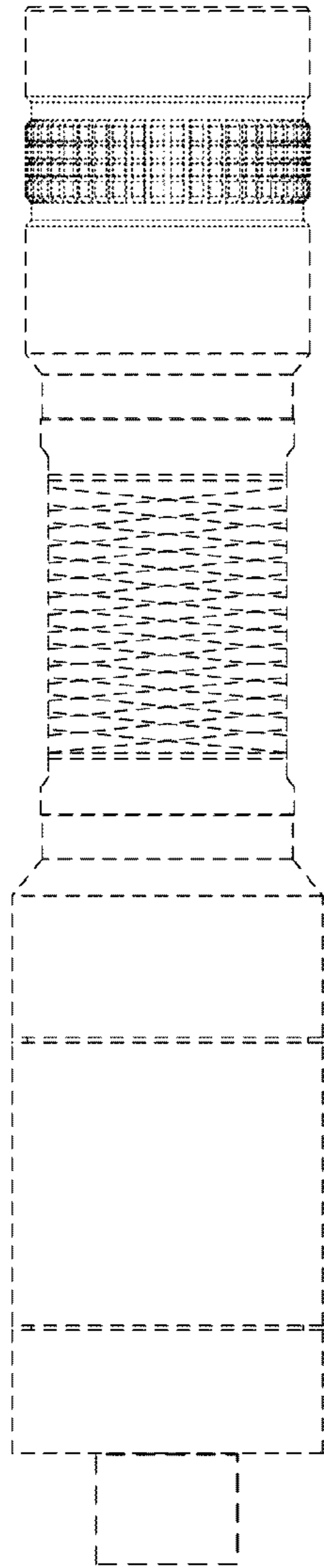


FIG. 62

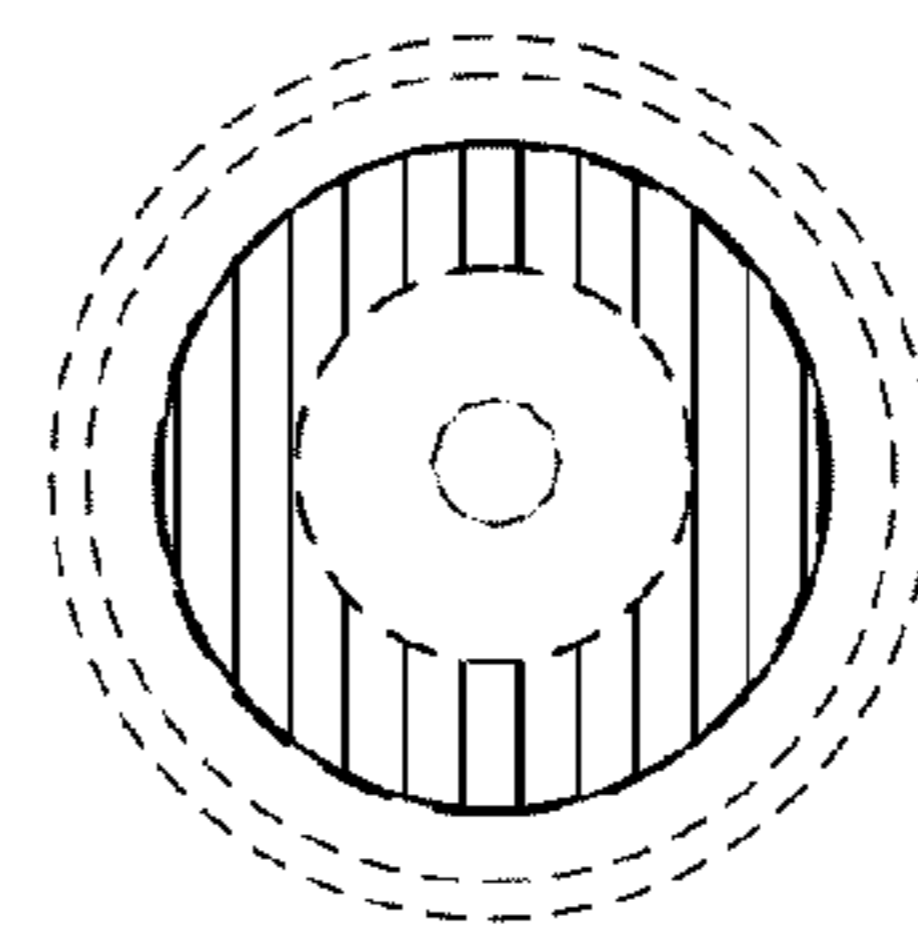


FIG. 63

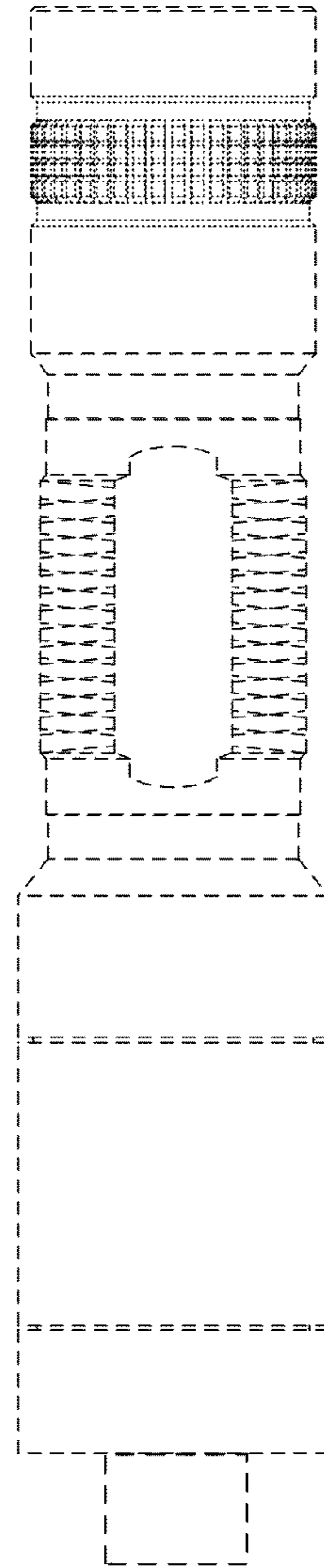


FIG. 64

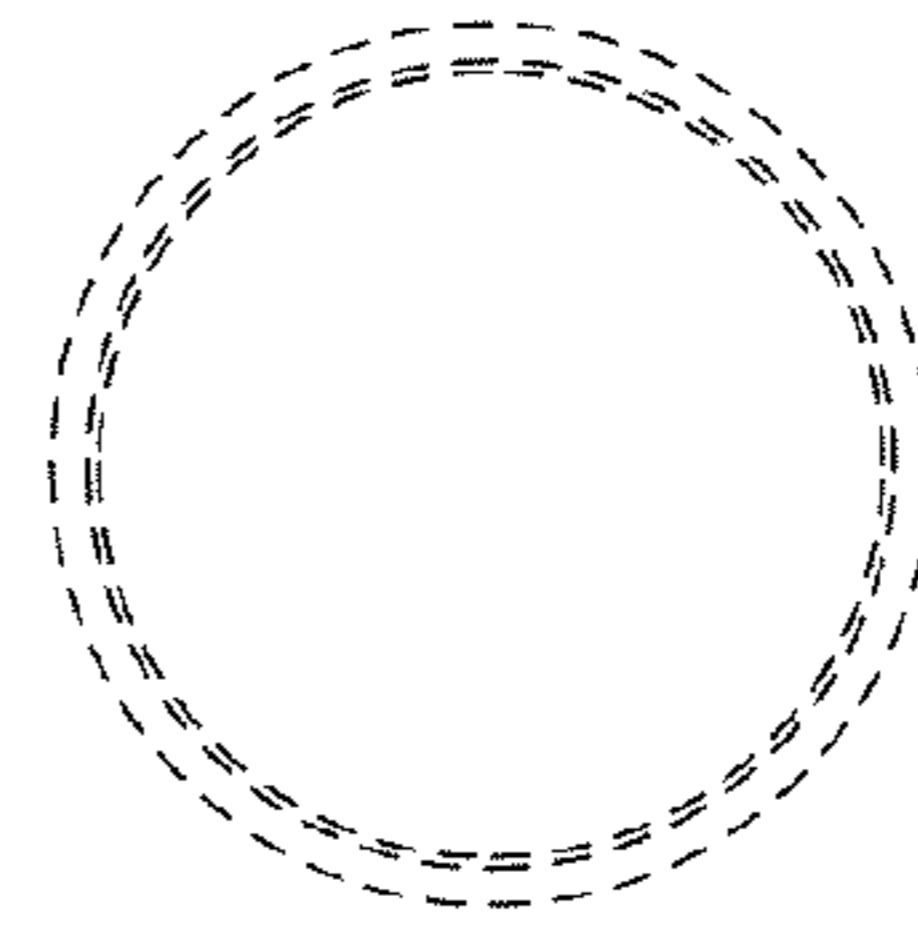


FIG. 65

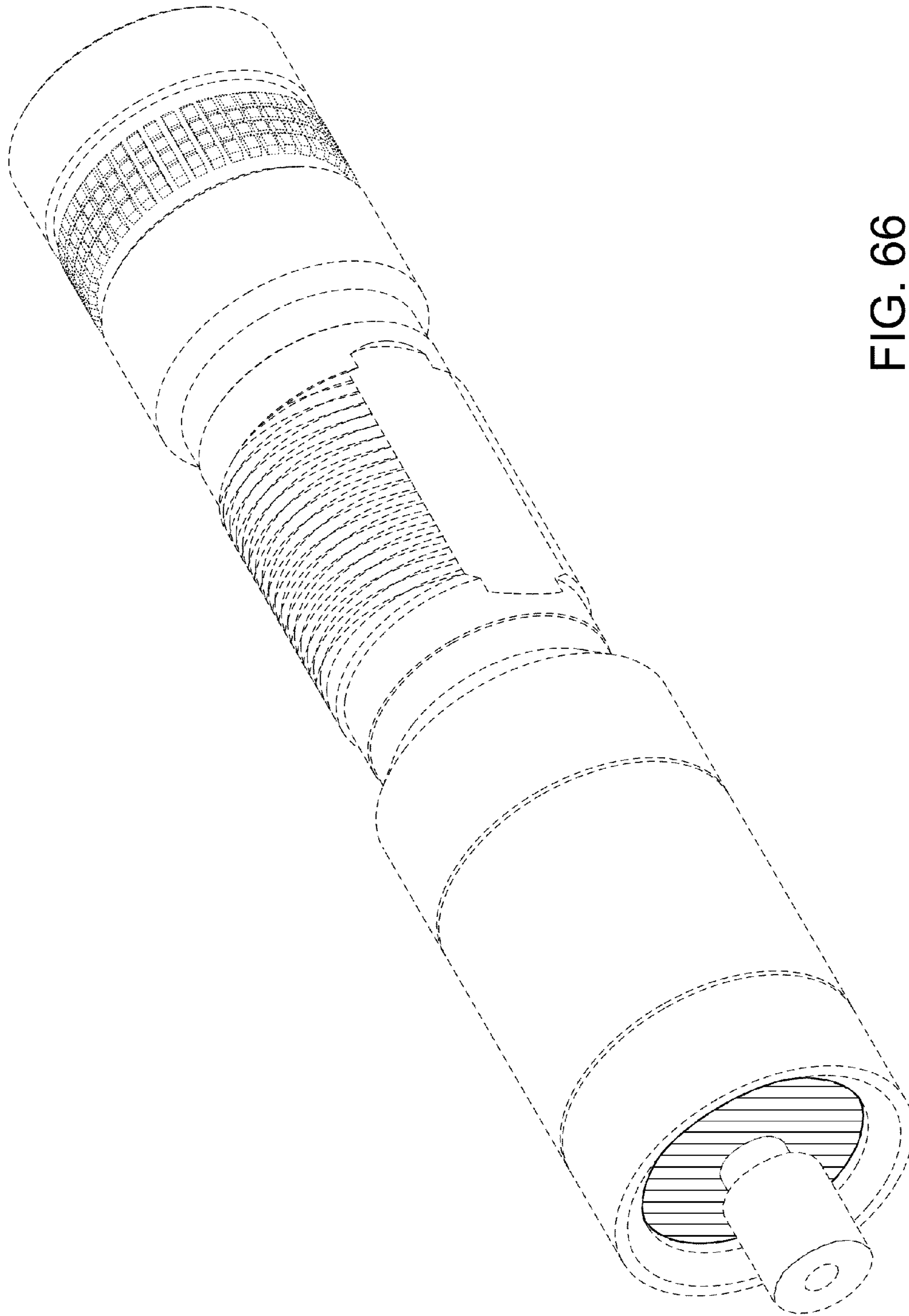


FIG. 66

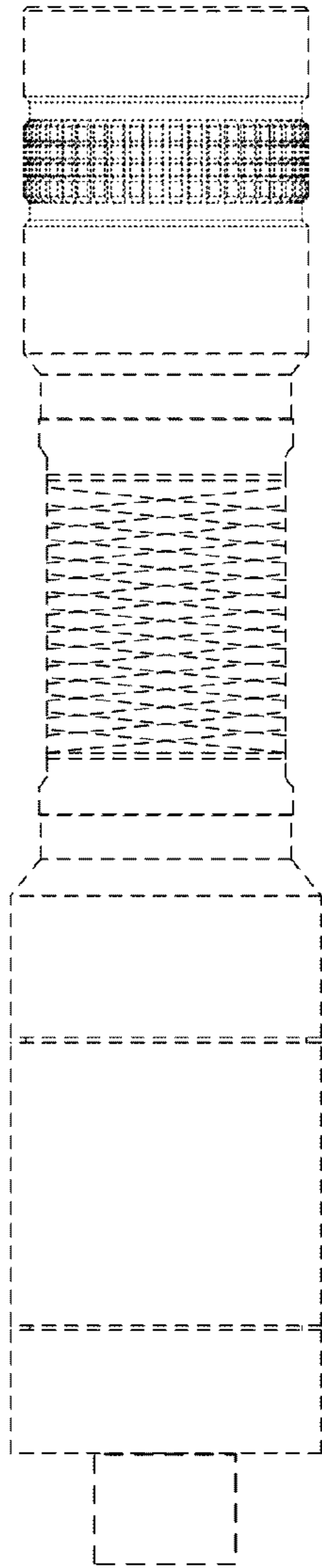


FIG. 67

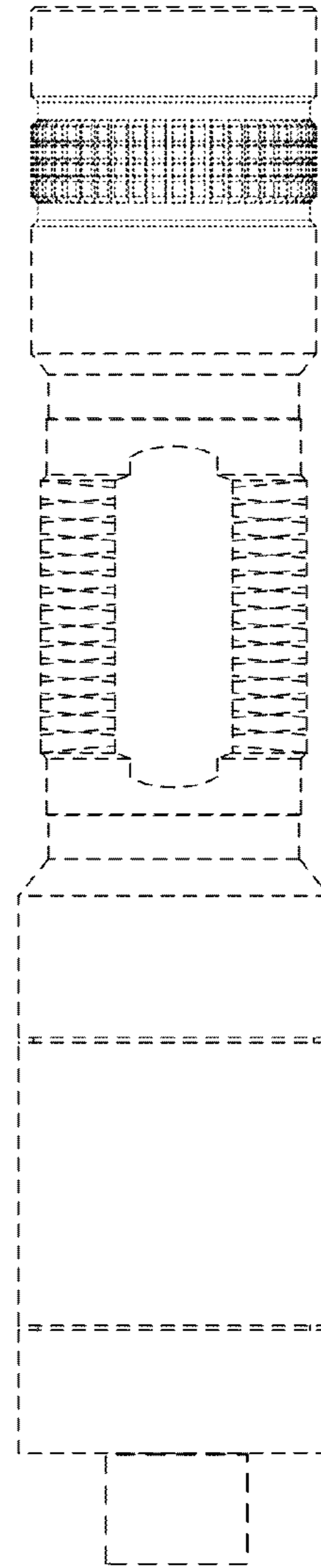


FIG. 68

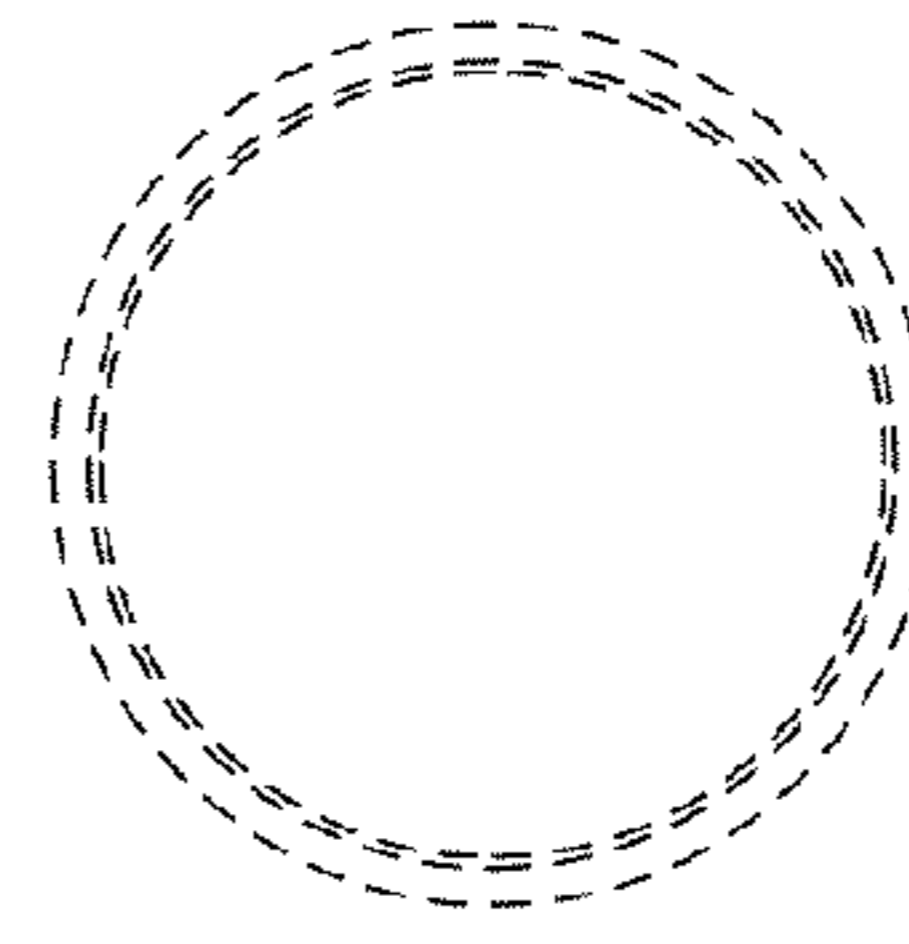


FIG. 69

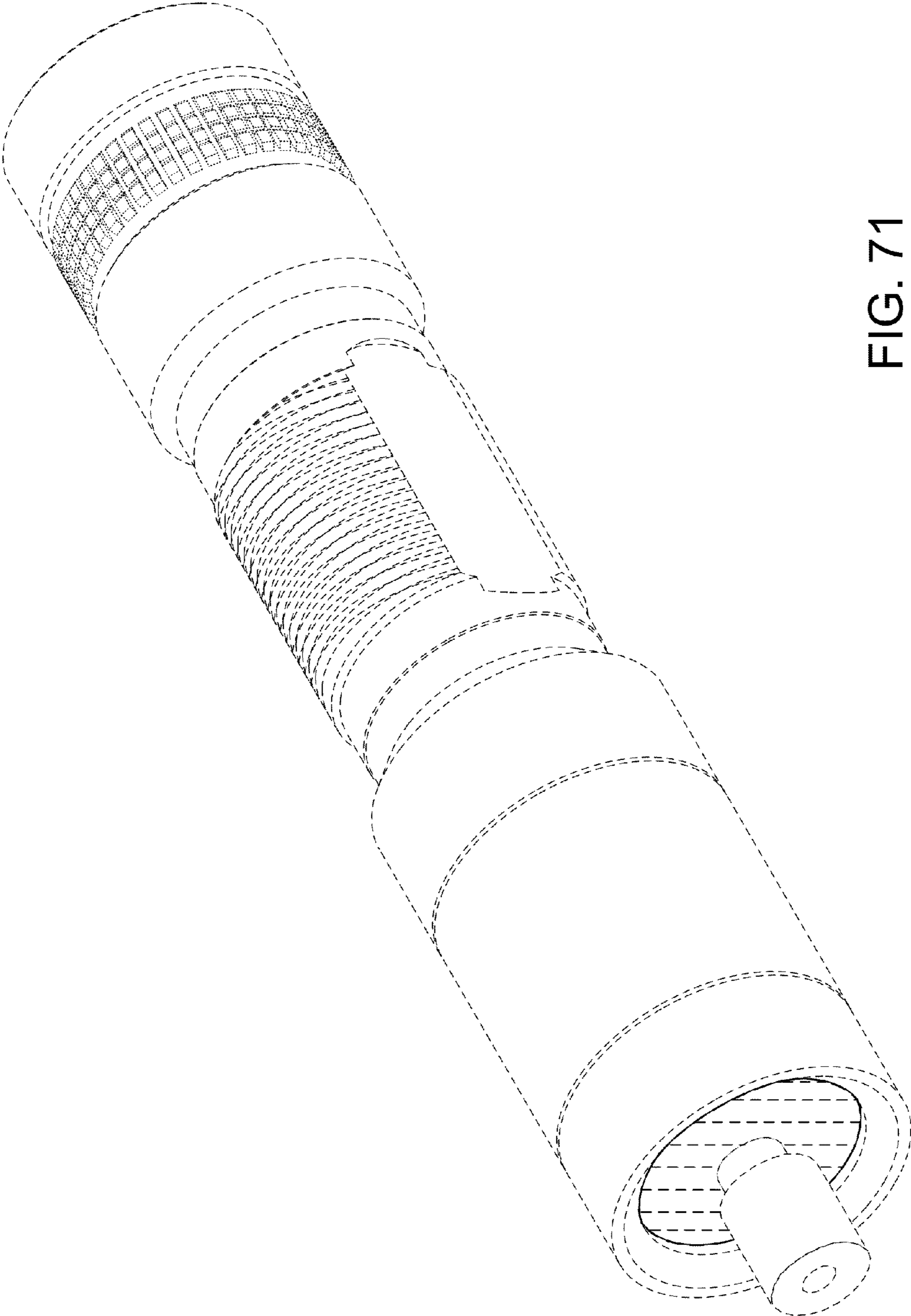


FIG. 71



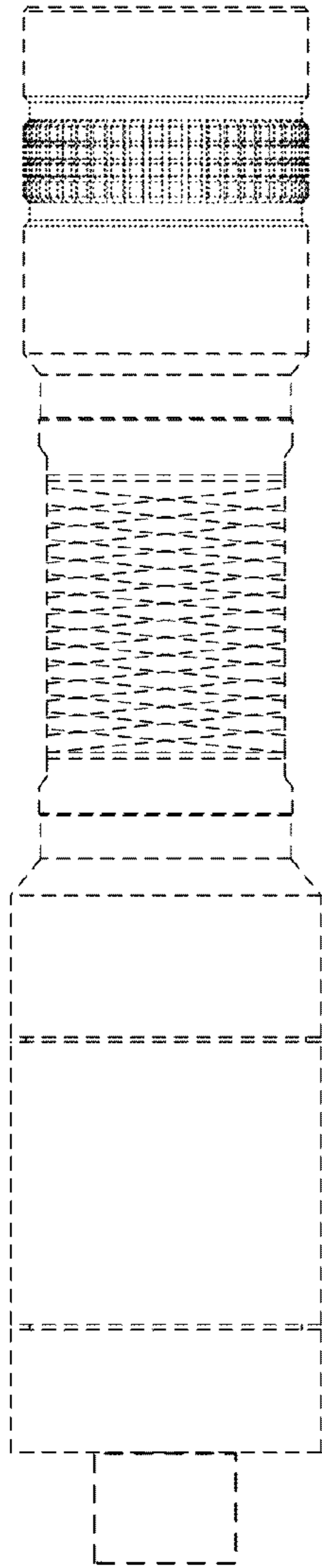


FIG. 72

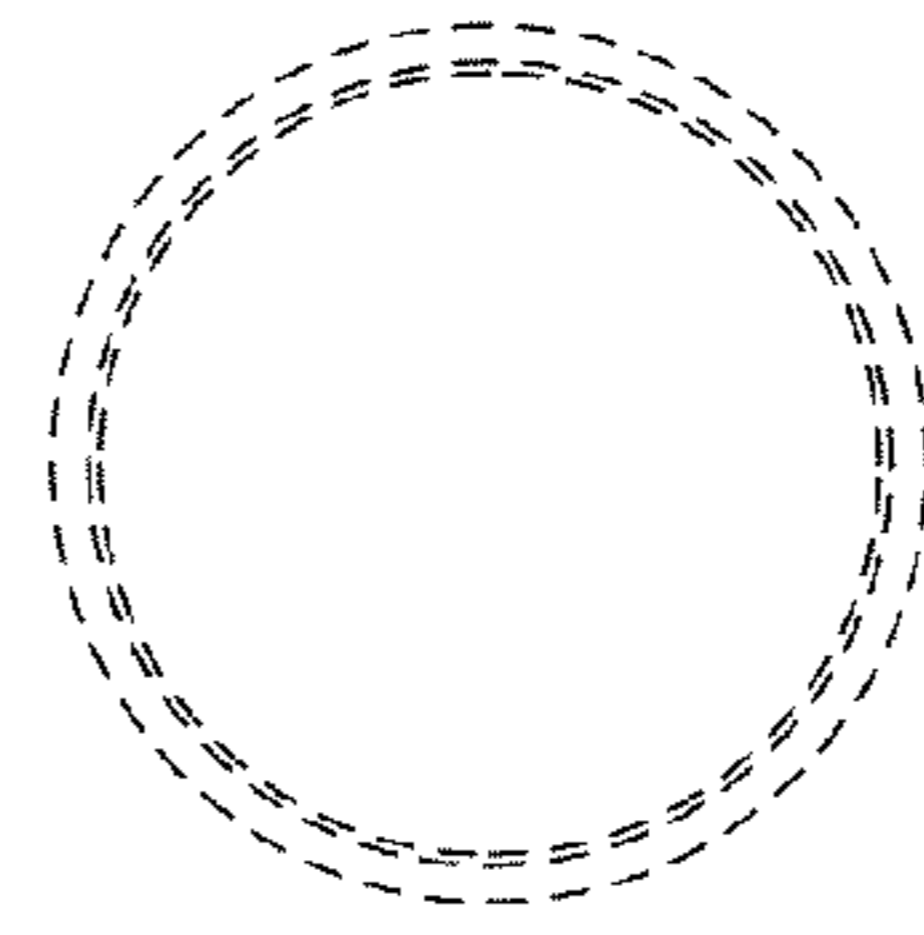


FIG. 75

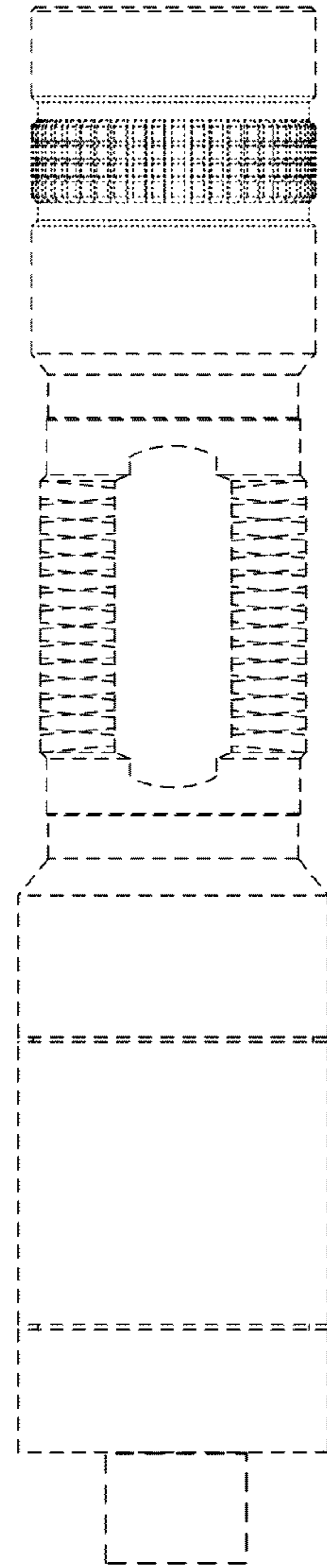


FIG. 74

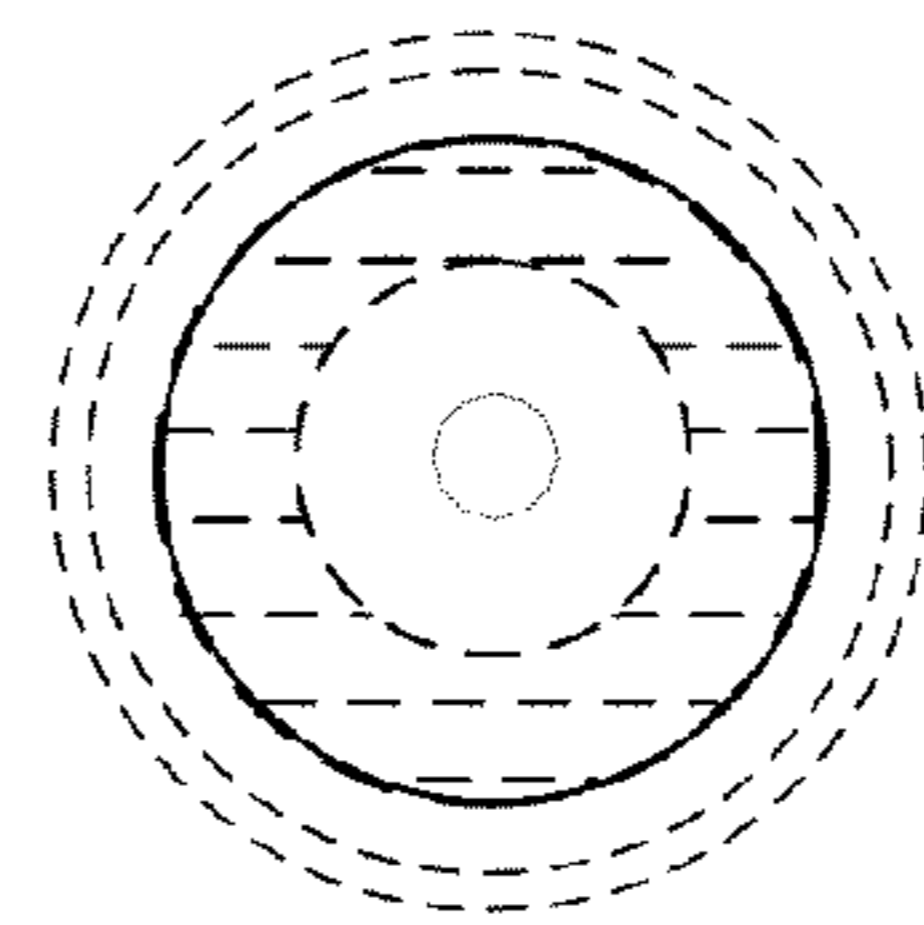


FIG. 73

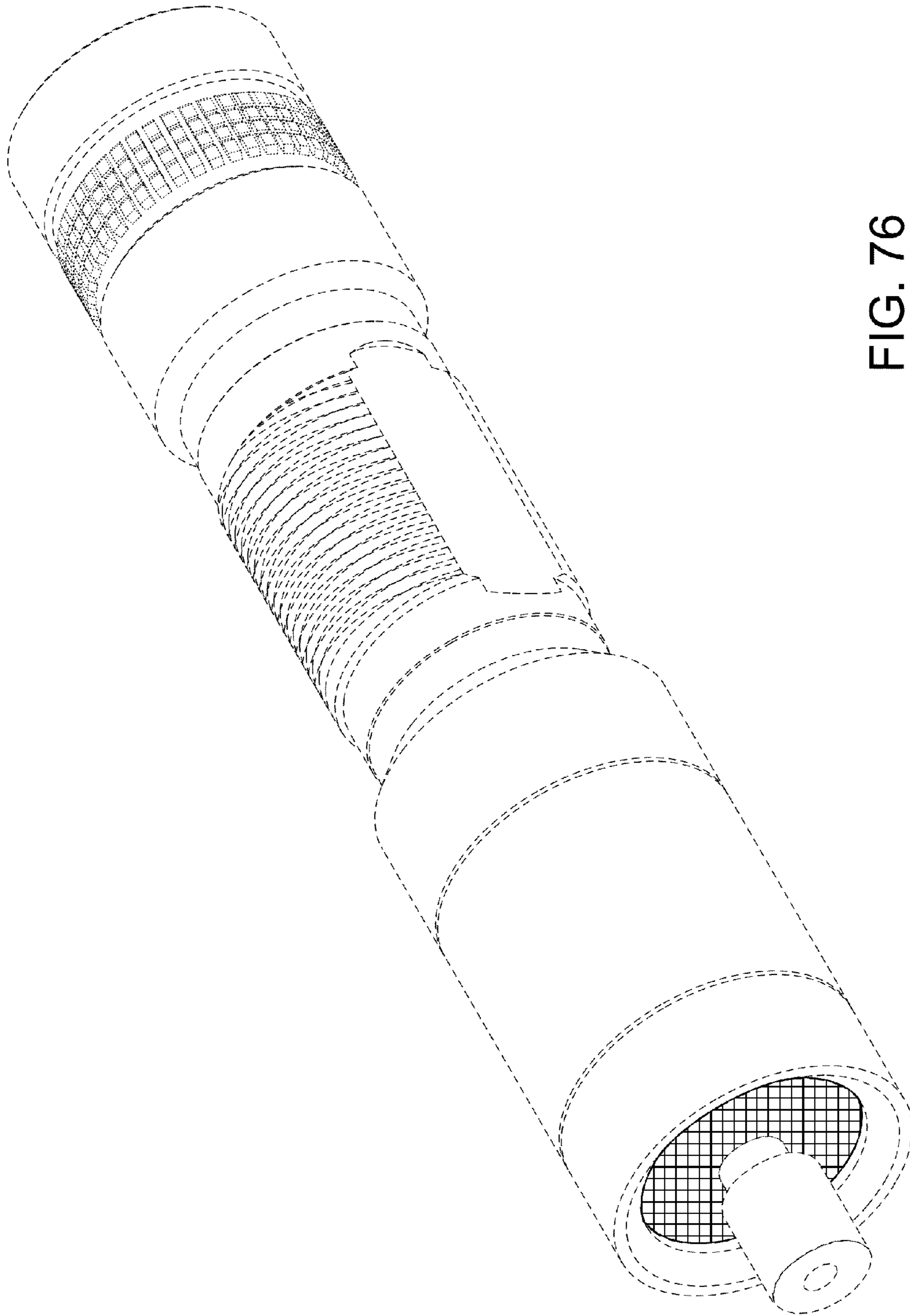


FIG. 76

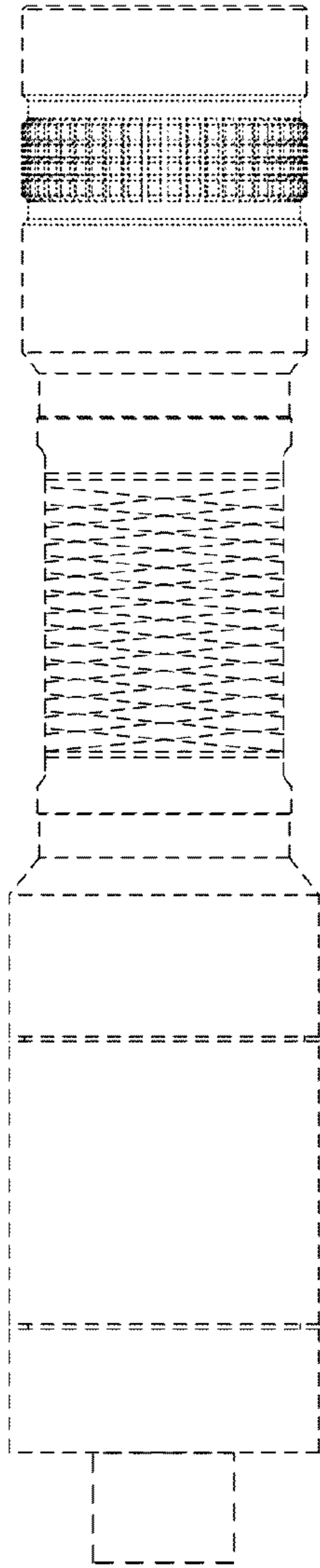


FIG. 77

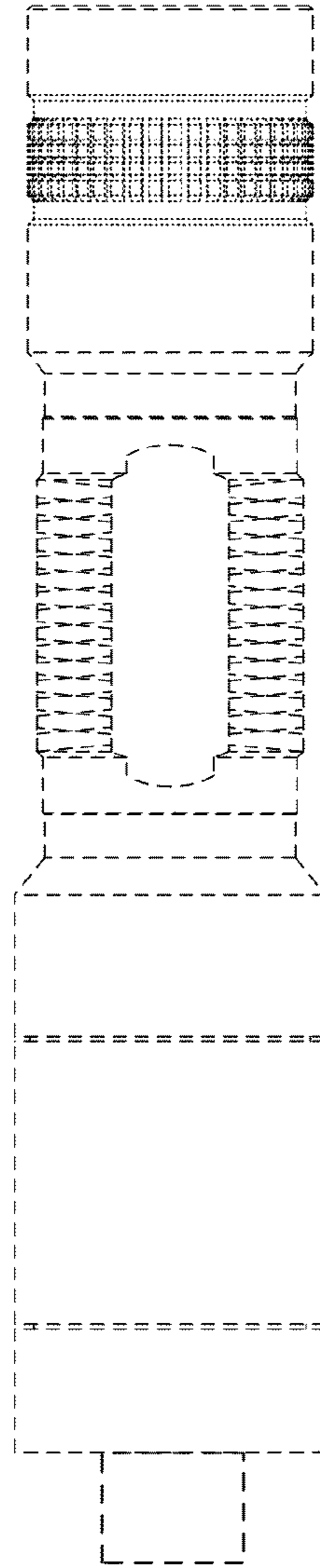


FIG. 79

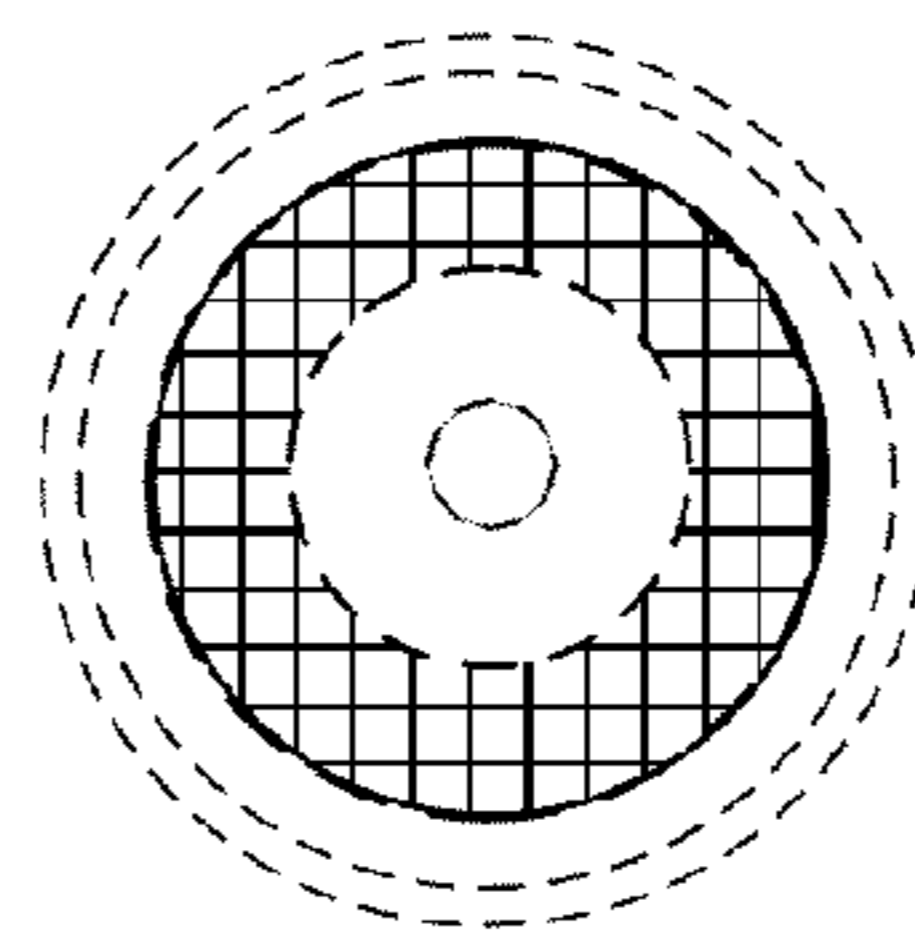


FIG. 78

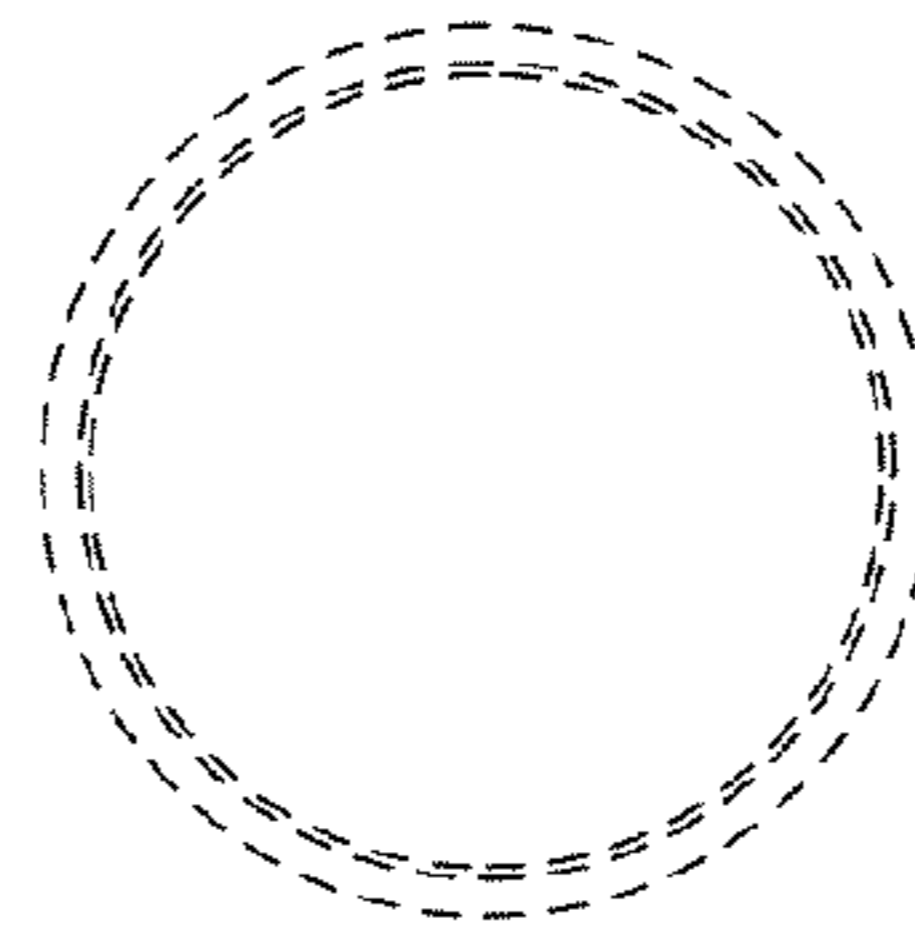


FIG. 80

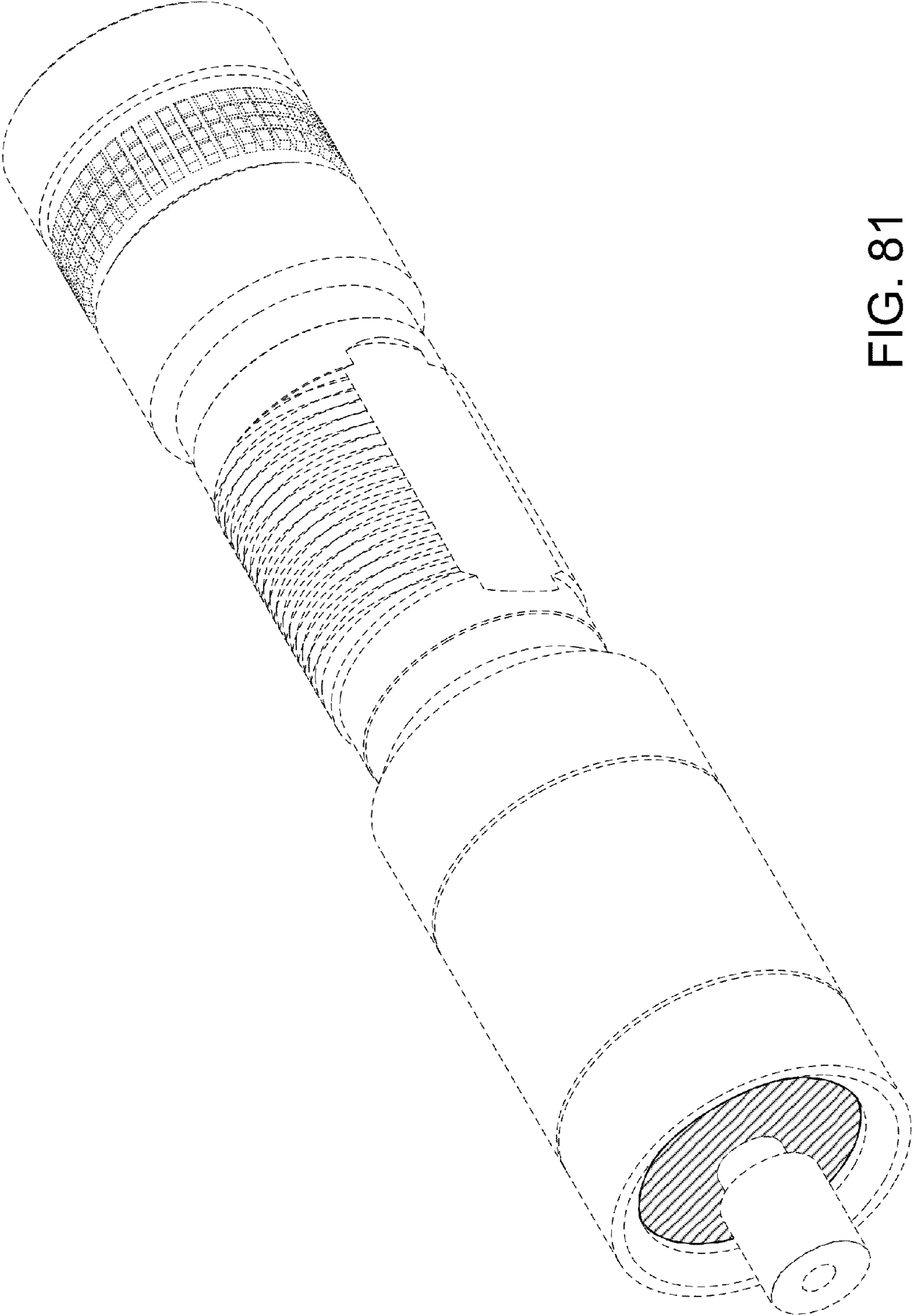


FIG. 81

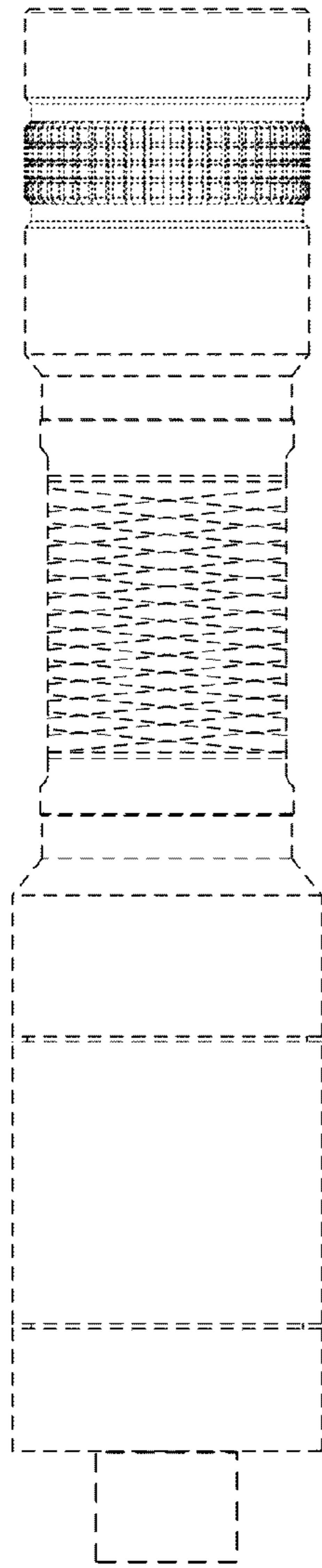


FIG. 82

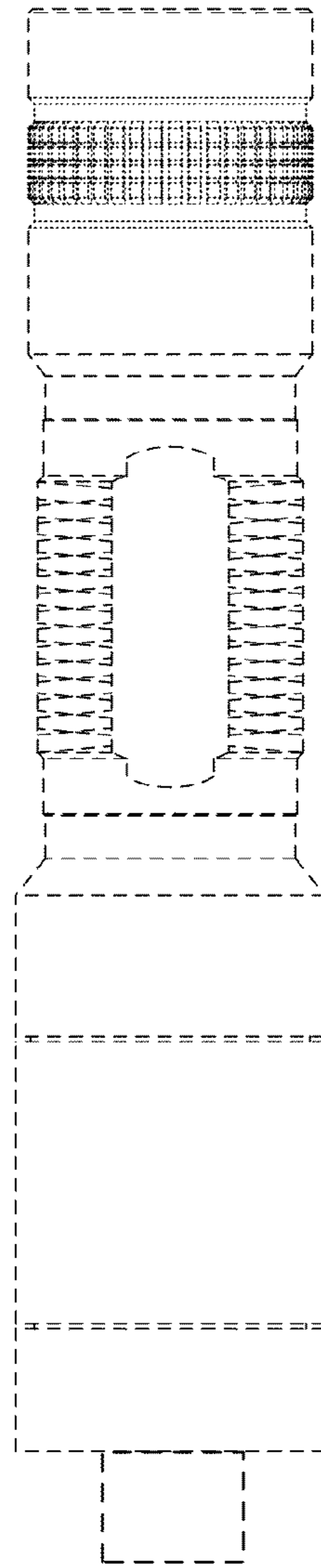


FIG. 84

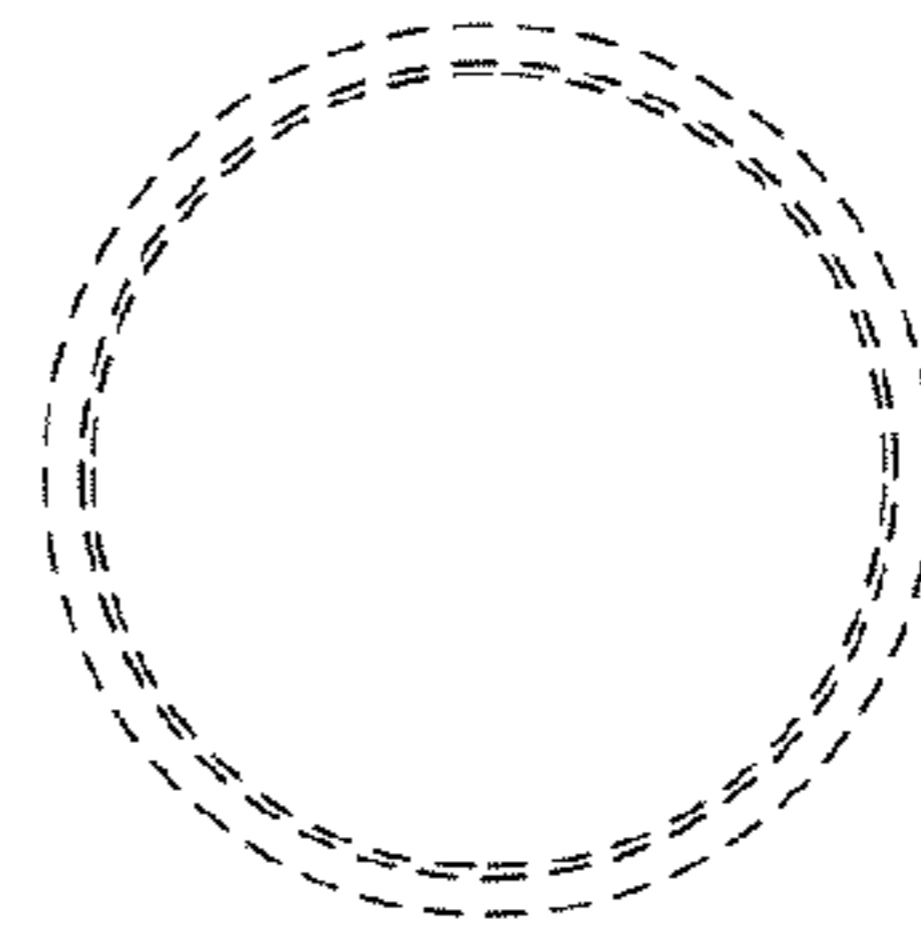


FIG. 85

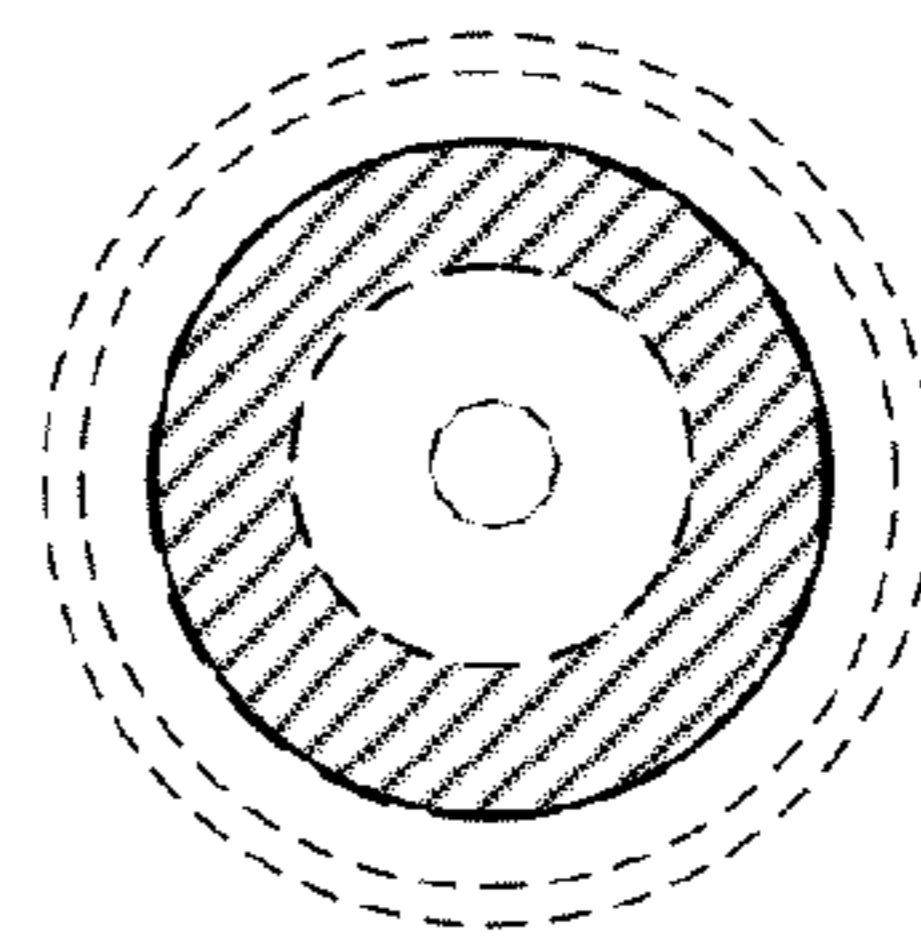


FIG. 83

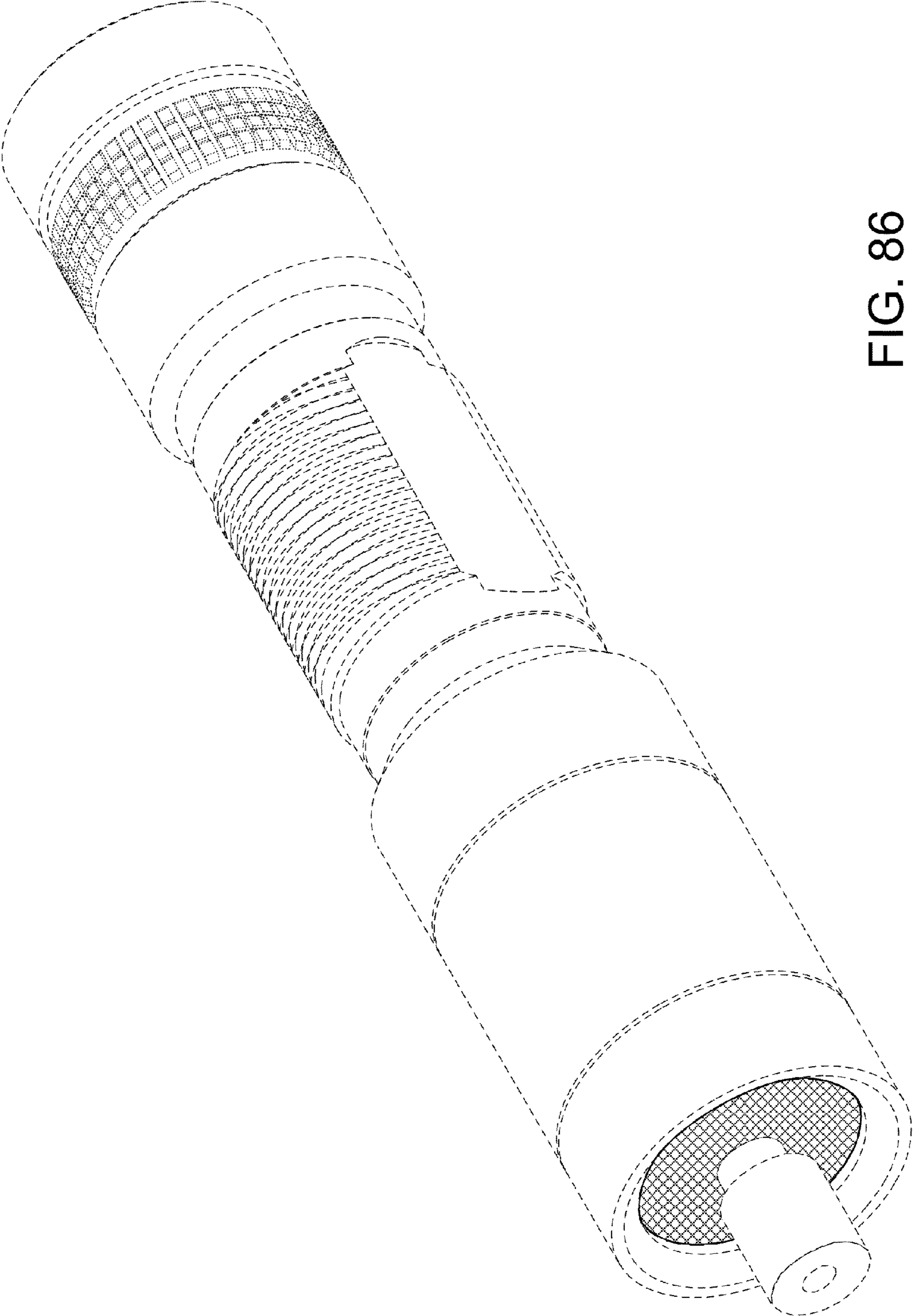


FIG. 86

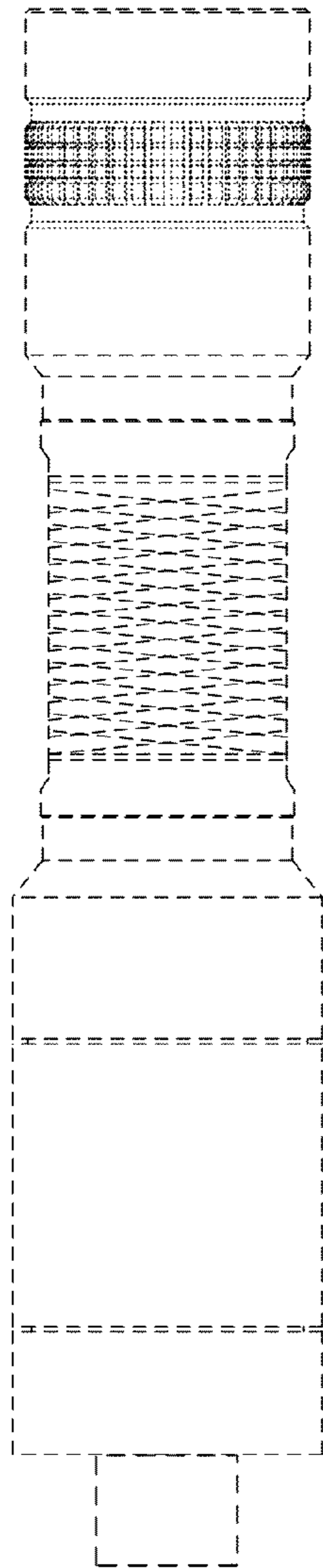


FIG. 87

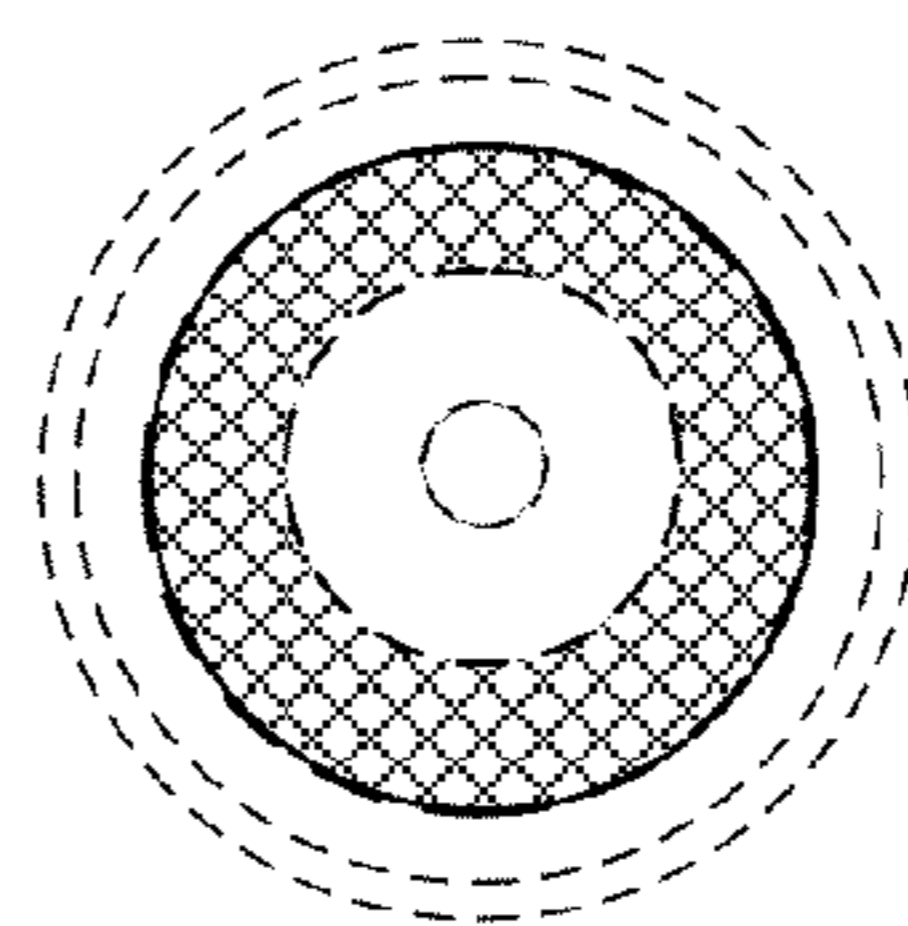


FIG. 88

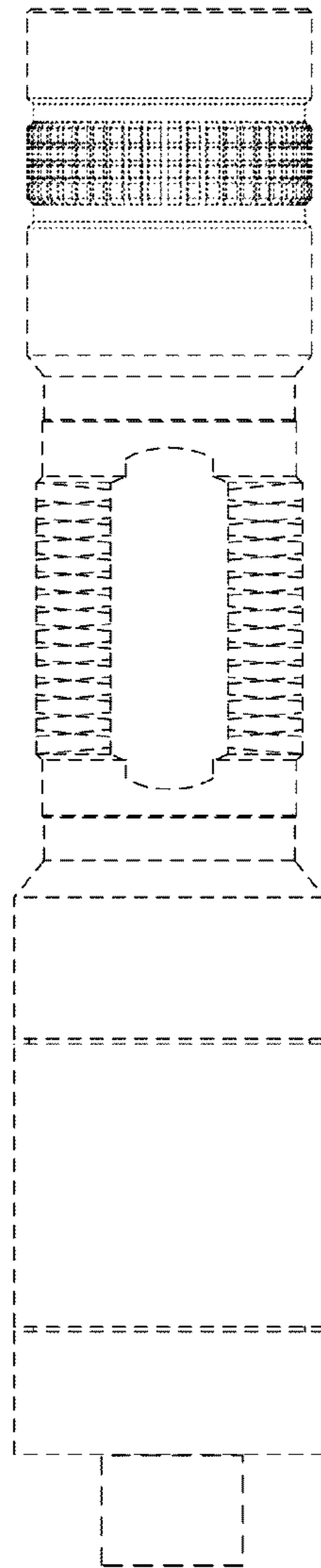


FIG. 89

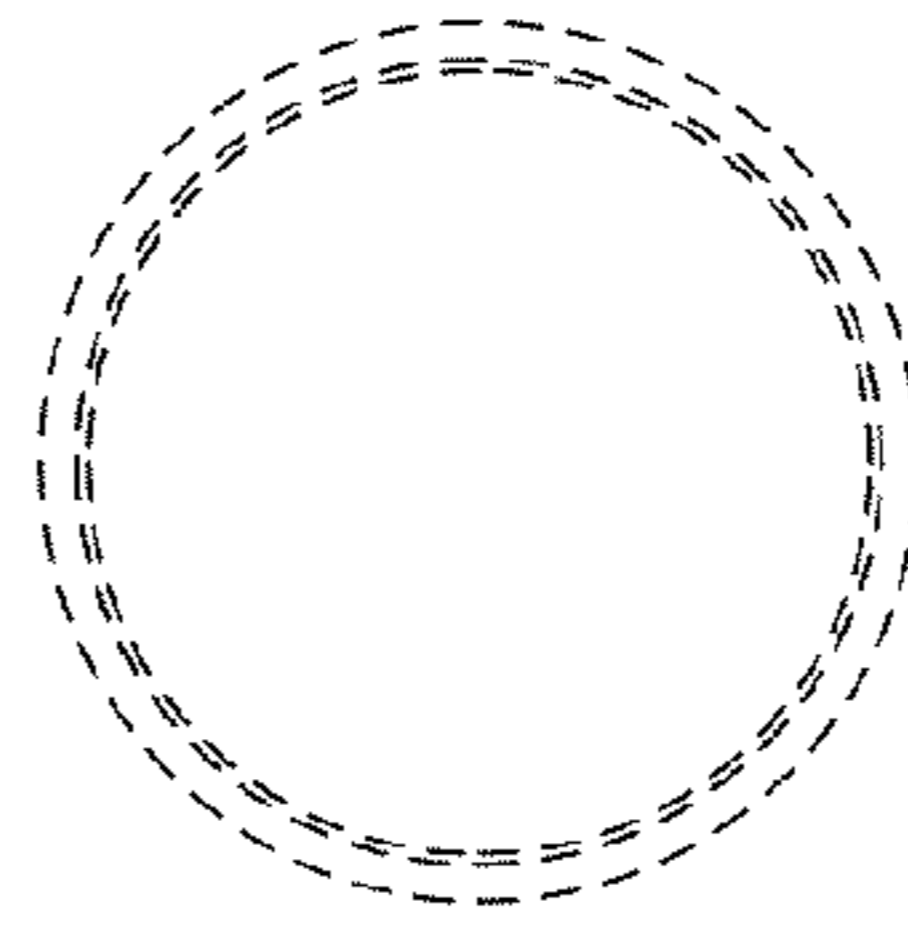


FIG. 90