



US00D686096S

(12) **United States Design Patent**
Matsumiya et al.

(10) **Patent No.:** **US D686,096 S**
(45) **Date of Patent:** **** Jul. 16, 2013**

(54) **DIGITAL DISPLAY DEVICE FOR SURFACE-ROUGHNESS MEASURING INSTRUMENTS**

(75) Inventors: **Sadayuki Matsumiya**, Kawasaki (JP); **Shigeru Ohtani**, Kawasaki (JP); **Kenji Iwamoto**, Kawasaki (JP); **Nobuyuki Hama**, Kure (JP); **Keiji Yamada**, Kure (JP)

(73) Assignee: **Mitutoyo Corporation**, Kawasaki-shi (JP)

(**) Term: **14 Years**

(21) Appl. No.: **29/424,835**

(22) Filed: **Jun. 15, 2012**

(30) **Foreign Application Priority Data**

Apr. 4, 2012 (JP) 2012-008012

(51) **LOC (9) Cl.** **10-04**

(52) **U.S. Cl.**
USPC **D10/49**

(58) **Field of Classification Search**
USPC D10/49, 70; D13/162, 162.1; 73/104, 73/105, 866; 356/237.2, 446, 600
See application file for complete search history.

(56) **References Cited**

U.S. PATENT DOCUMENTS

D412,125 S * 7/1999 Couch et al. D10/49
D441,723 S * 5/2001 Mayo et al. D13/162

FOREIGN PATENT DOCUMENTS

JP S- D1335639 6/2008

* cited by examiner

Primary Examiner — Antoine D Davis

(74) *Attorney, Agent, or Firm* — Oliff & Berridge, PLC

(57) **CLAIM**

We claim the ornamental design for a digital display device for surface-roughness measuring instruments, as shown and described.

DESCRIPTION

FIG. 1 is a front perspective view of a digital display device for surface-roughness measuring instruments showing our new design;

FIG. 2 is a rear perspective view thereof;

FIG. 3 is a front view thereof;

FIG. 4 is a rear view thereof;

FIG. 5 is a left-side view thereof;

FIG. 6 is a right-side view thereof;

FIG. 7 is a top view thereof; and,

FIG. 8 is a bottom view thereof.

The broken lines depict environmental subject matter only and form no part of the claimed design.

1 Claim, 8 Drawing Sheets

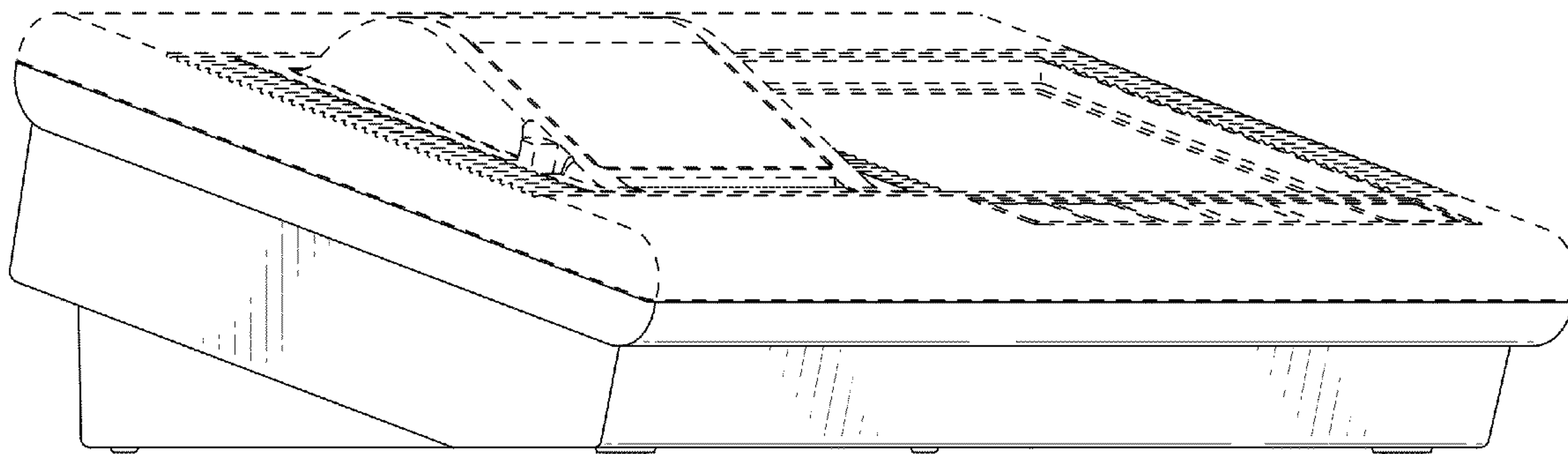


FIG. 1

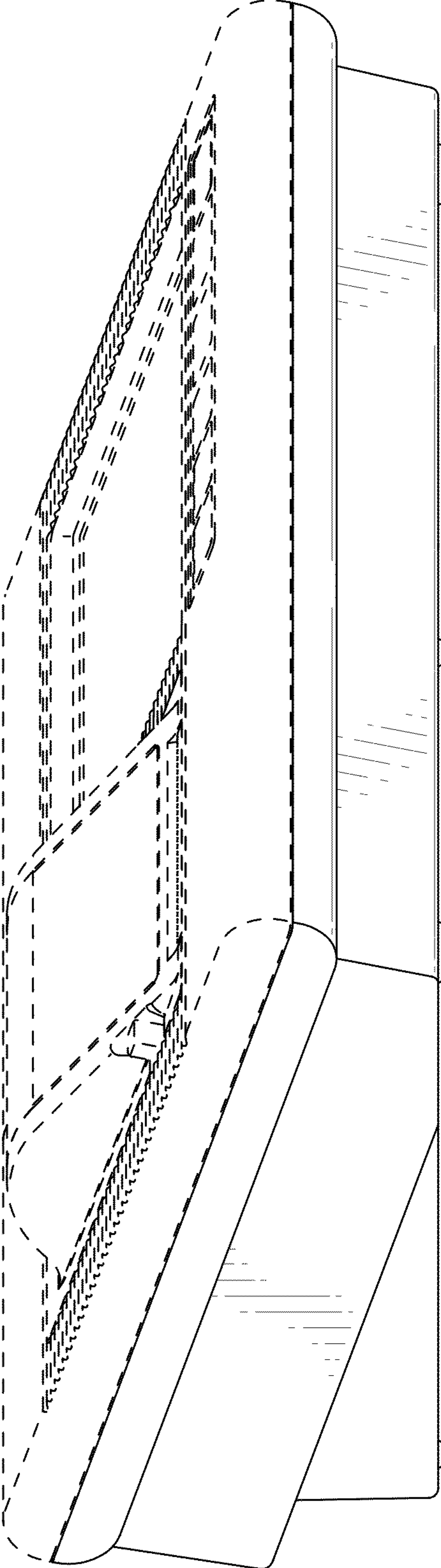


FIG. 2

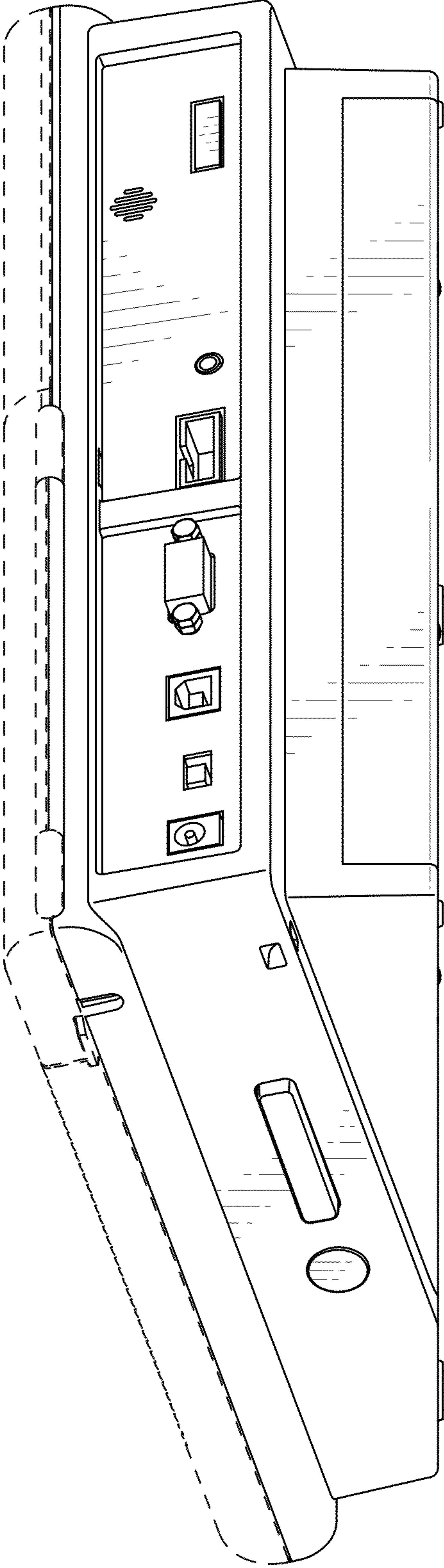


FIG. 3

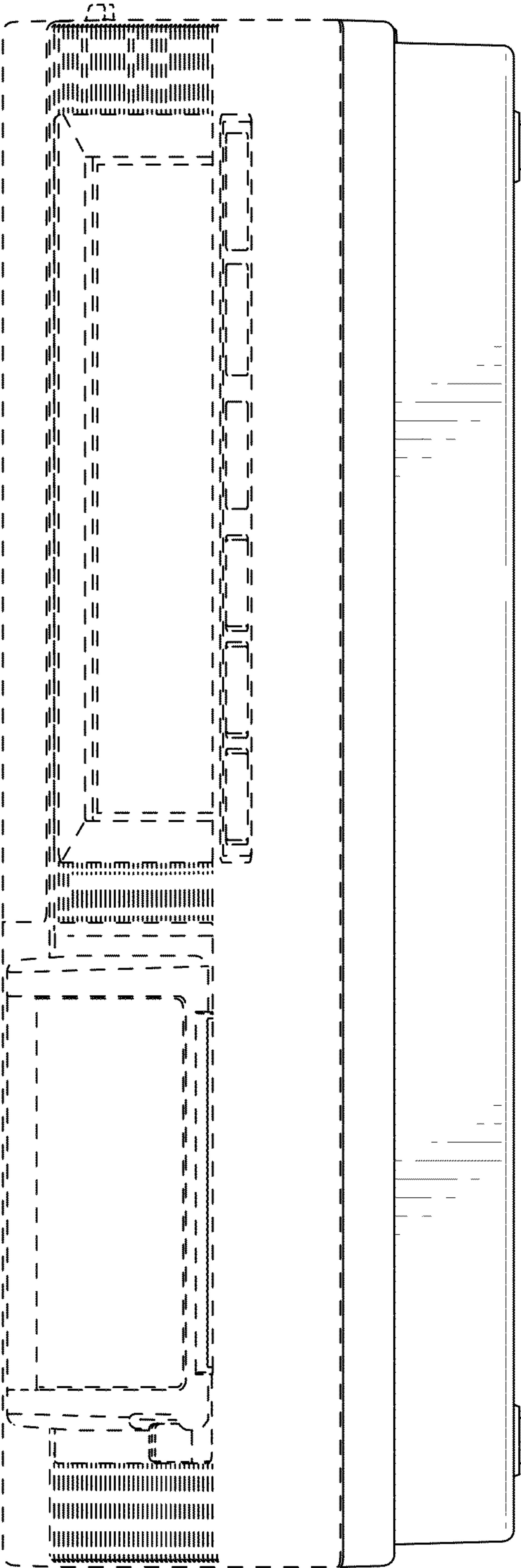


FIG. 4

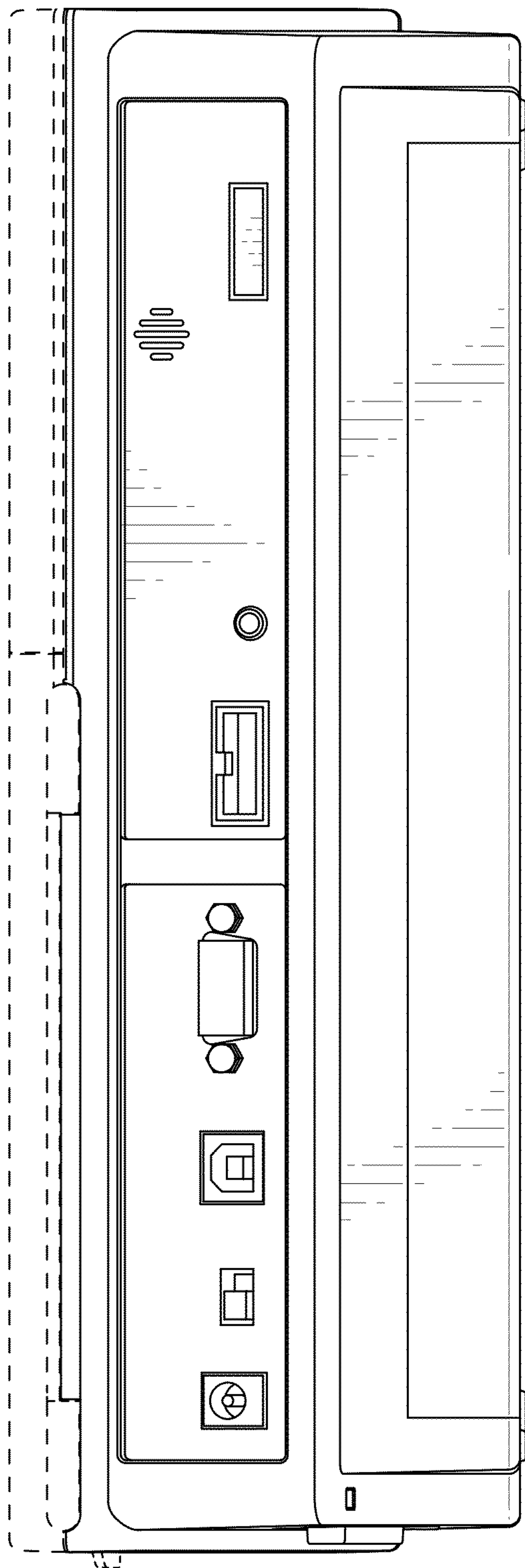


FIG. 5

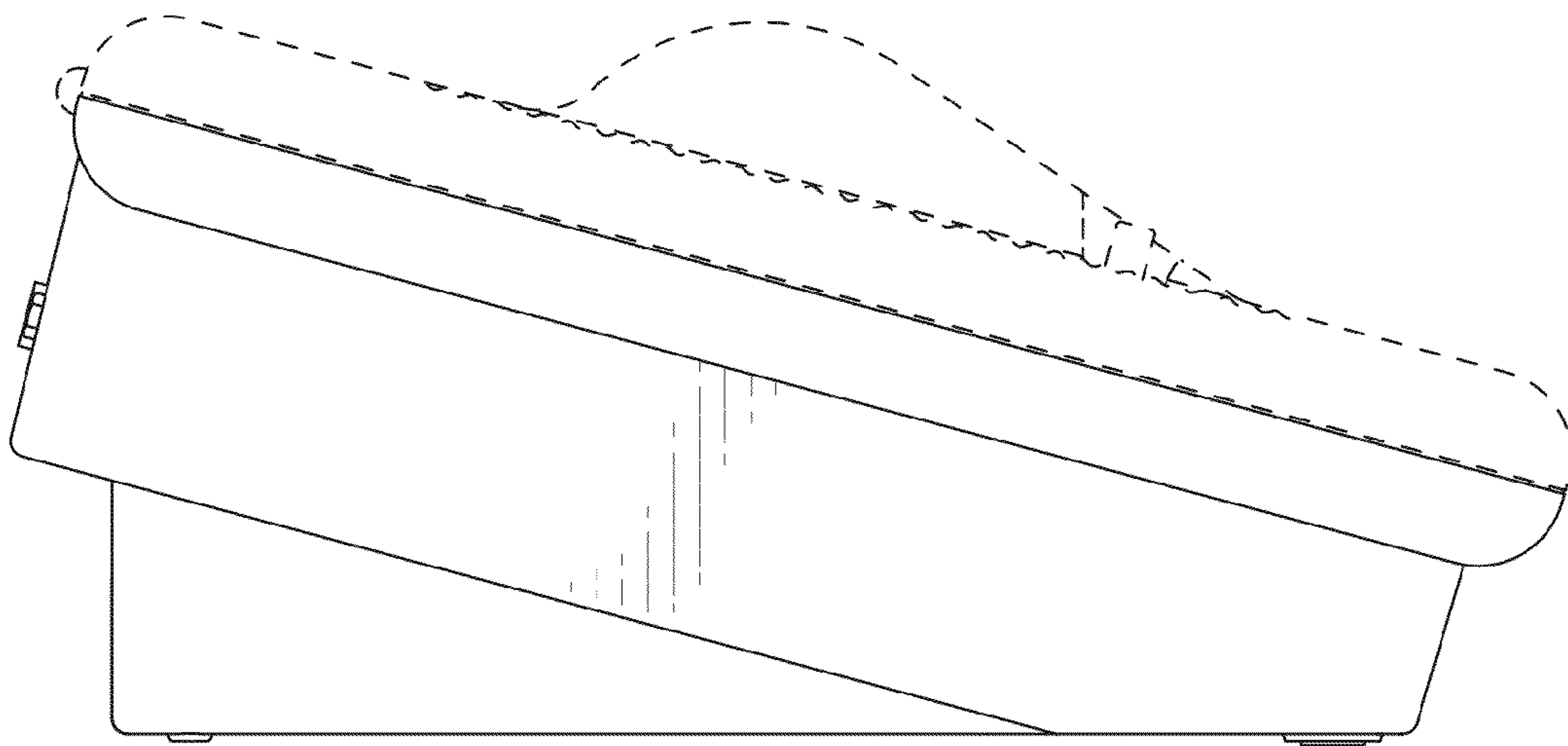


FIG. 6

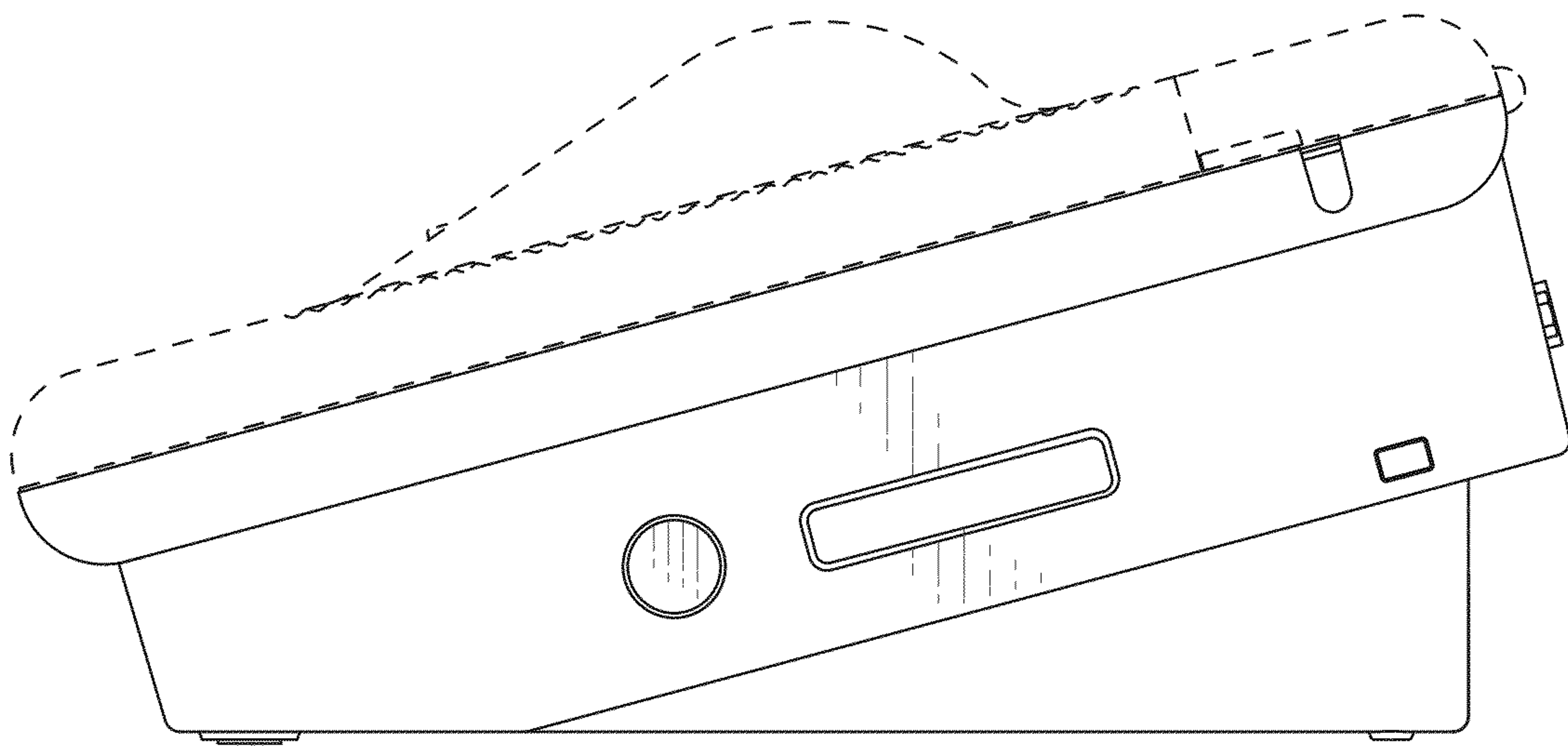


FIG. 7

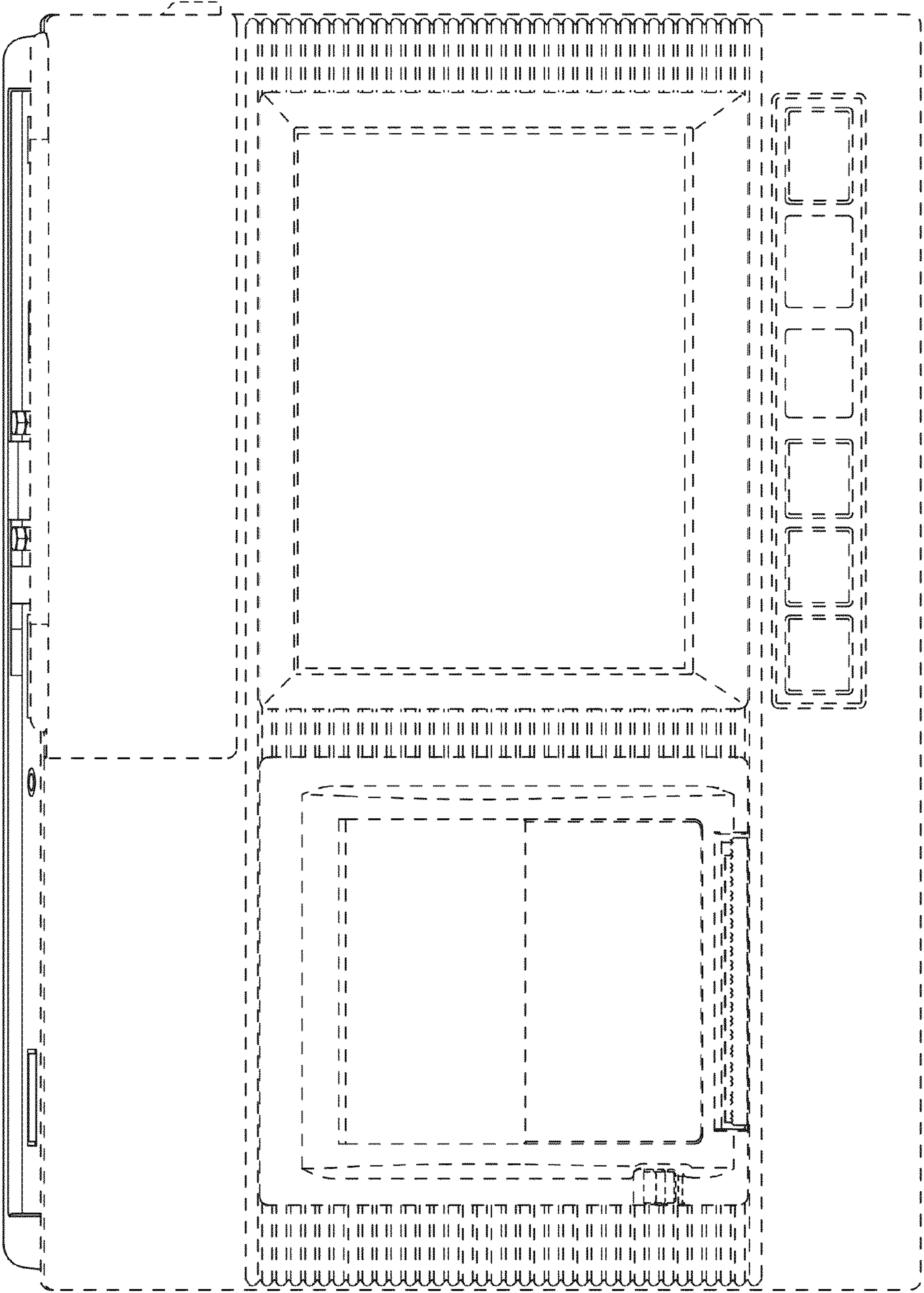


FIG. 8

