



US00D686094S

(12) **United States Design Patent**  
**Murdough**

(10) **Patent No.:** **US D686,094 S**  
(45) **Date of Patent:** **\*\* Jul. 16, 2013**

- (54) **GAME SCORE KEEPER**
- (76) Inventor: **Jody Murdough**, Mt. Pleasant, SC (US)
- (\*\*) Term: **14 Years**
- (21) Appl. No.: **29/414,475**
- (22) Filed: **Feb. 29, 2012**
- (51) **LOC (9) Cl.** ..... **21-01**
- (52) **U.S. Cl.**  
USPC ..... **D10/46.1**
- (58) **Field of Classification Search**  
USPC ..... D10/46, 46.1; 116/222–225; 235/1 B,  
235/1 C, 1 D, 90; 273/236, 459, DIG. 26,  
273/148 B; 463/1, 46, 47  
See application file for complete search history.

- D519,391 S \* 4/2006 Leung ..... D10/46.1
- D540,201 S \* 4/2007 Jackson et al. .... D10/46.1
- D605,536 S \* 12/2009 Nishimoto ..... D10/46.1
- D625,621 S \* 10/2010 Boyer et al. .... D10/46.1

\* cited by examiner

*Primary Examiner* — Prabhakar Deshmukh  
(74) *Attorney, Agent, or Firm* — Emerson Thomson Bennett; Roger D. Emerson

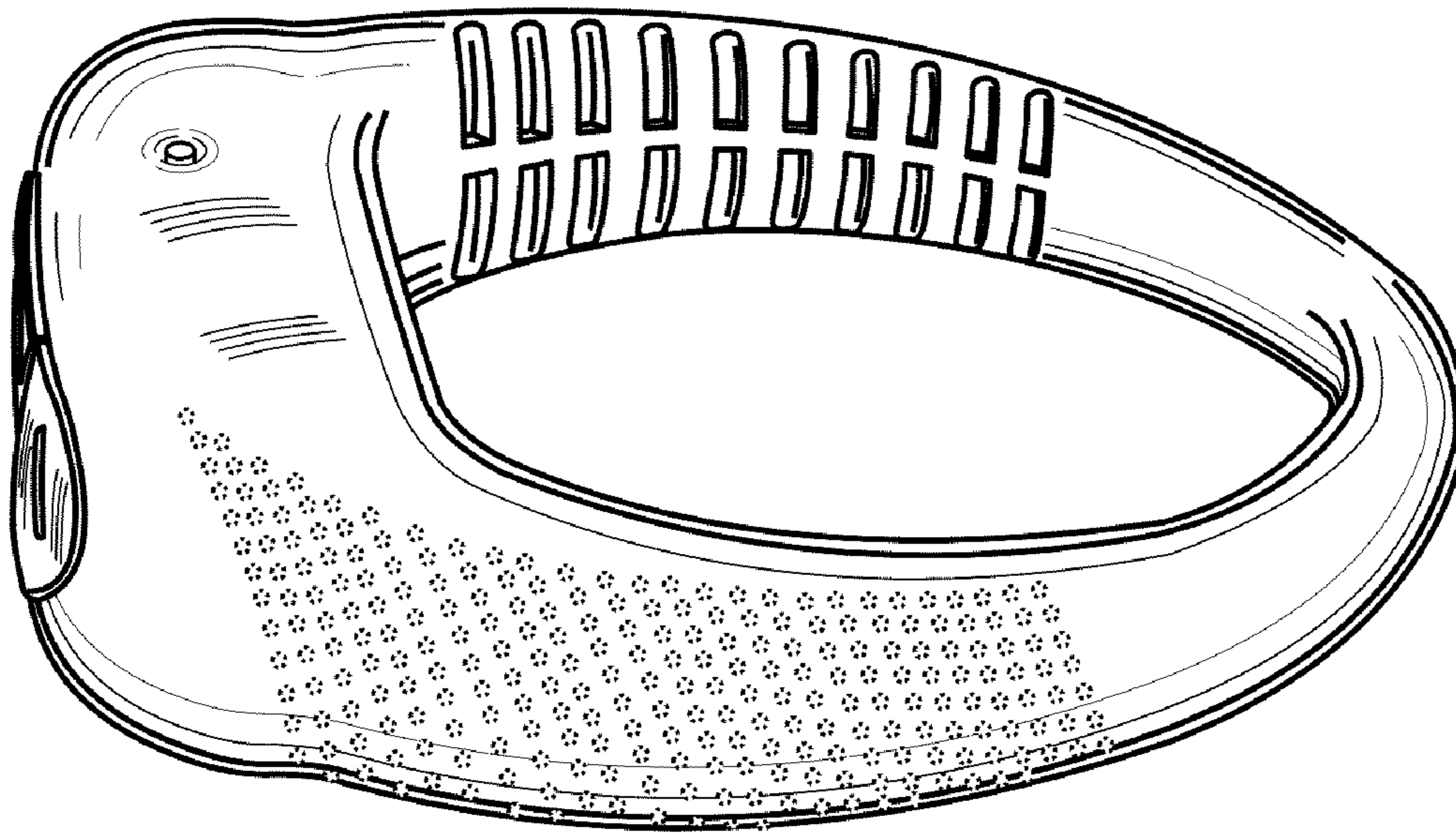
(57) **CLAIM**  
I claim the ornamental design for a game score keeper, as shown.

**DESCRIPTION**

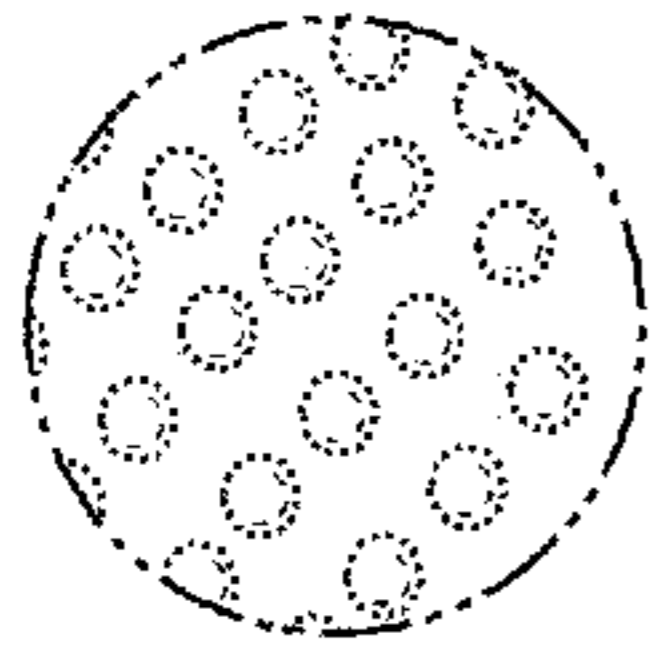
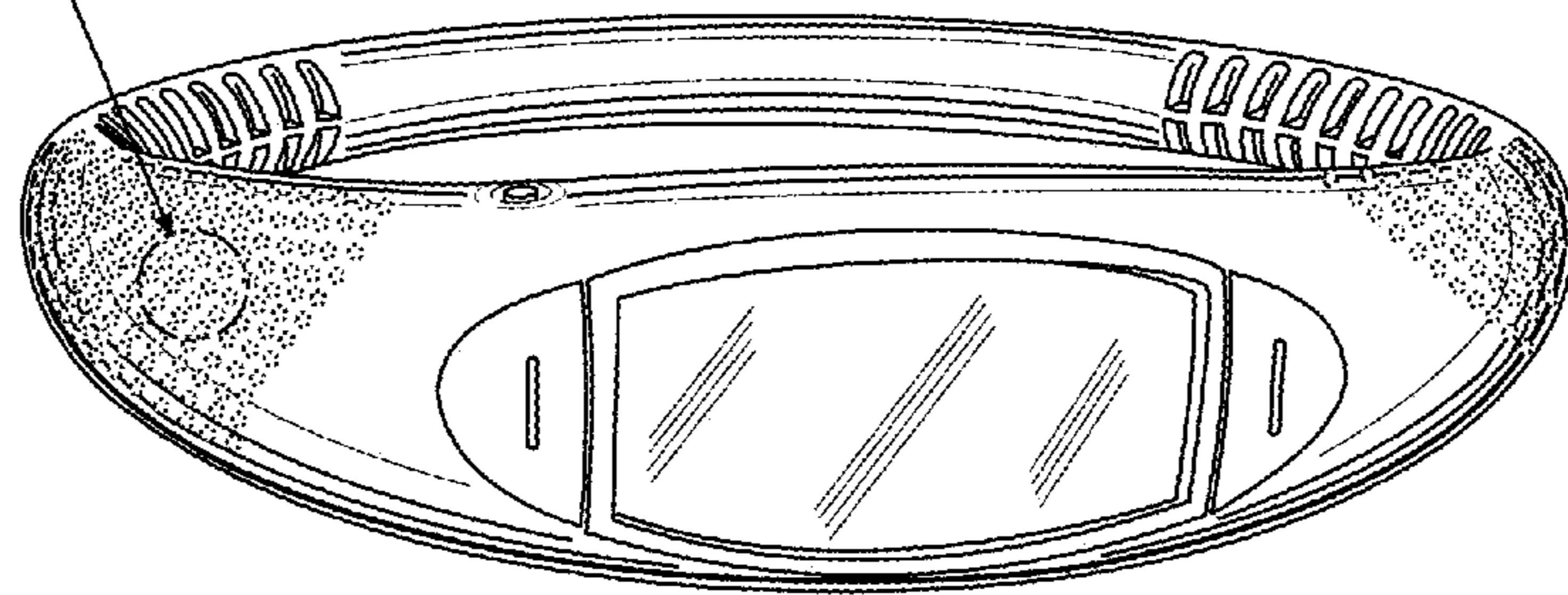
FIG. 1 is a perspective view of a game score keeper showing my new design;  
FIG. 1A is an enlarged portion of the surface taken on the circle in FIG. 1;  
FIG. 2 is a top plan view thereof;  
FIG. 3 is a bottom plan view thereof;  
FIG. 4 is a rear perspective view thereof; and,  
FIG. 5 is a left side perspective view thereof.

**1 Claim, 5 Drawing Sheets**

- (56) **References Cited**  
**U.S. PATENT DOCUMENTS**  
3,730,131 A \* 5/1973 Izzo ..... 116/223  
5,265,009 A \* 11/1993 Colavita ..... 463/1  
D350,292 S \* 9/1994 Taylor et al. .... D10/46.1  
D418,174 S \* 12/1999 Jankowski et al. .... D21/329  
D449,544 S \* 10/2001 Liu ..... D10/46.1  
D467,510 S \* 12/2002 Hung ..... D10/46.1  
6,739,939 B2 \* 5/2004 Matsukawa ..... 446/256

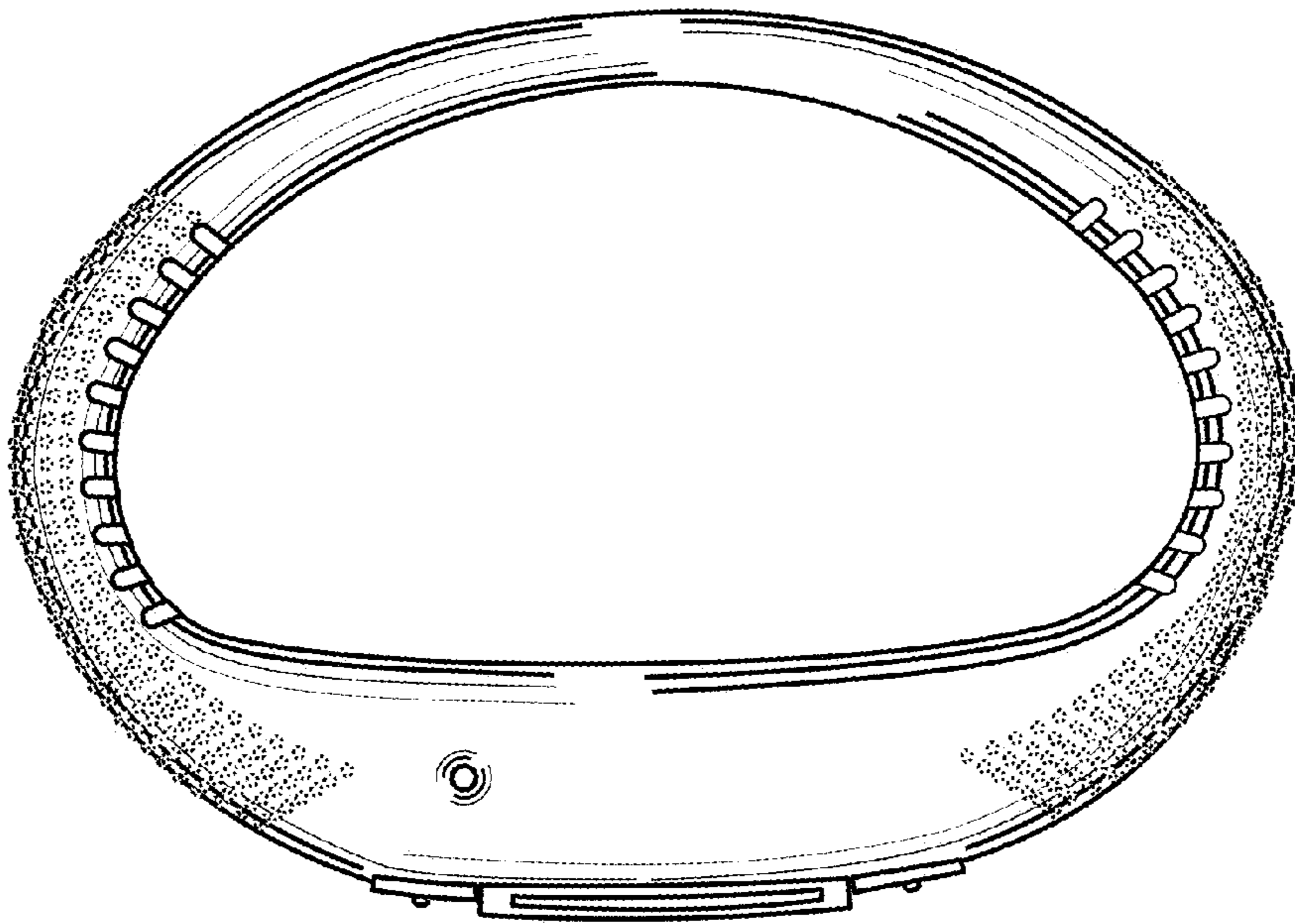


See Enlarged Fig 1A



—FIG. 1

—FIG. 1A



—FIG. 2

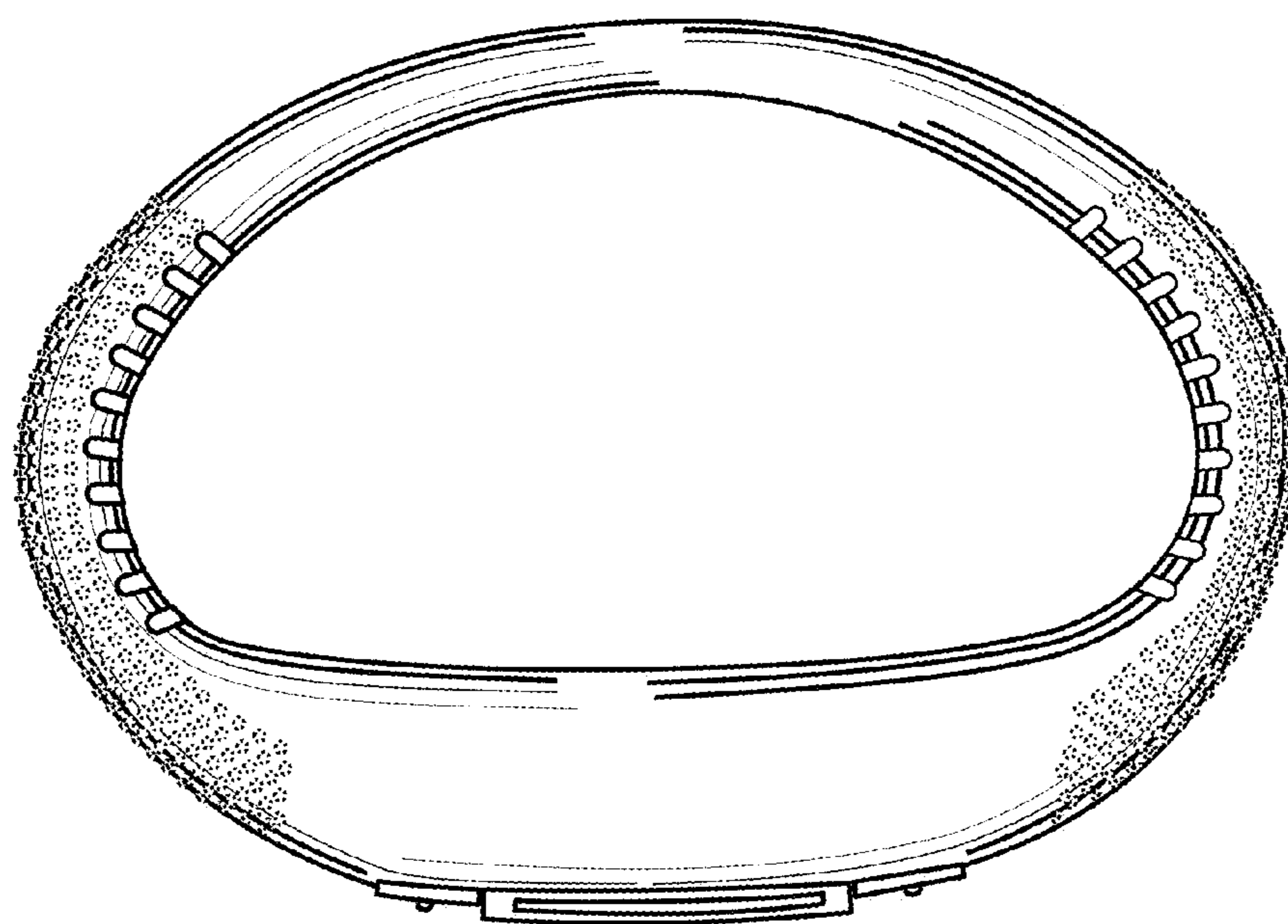
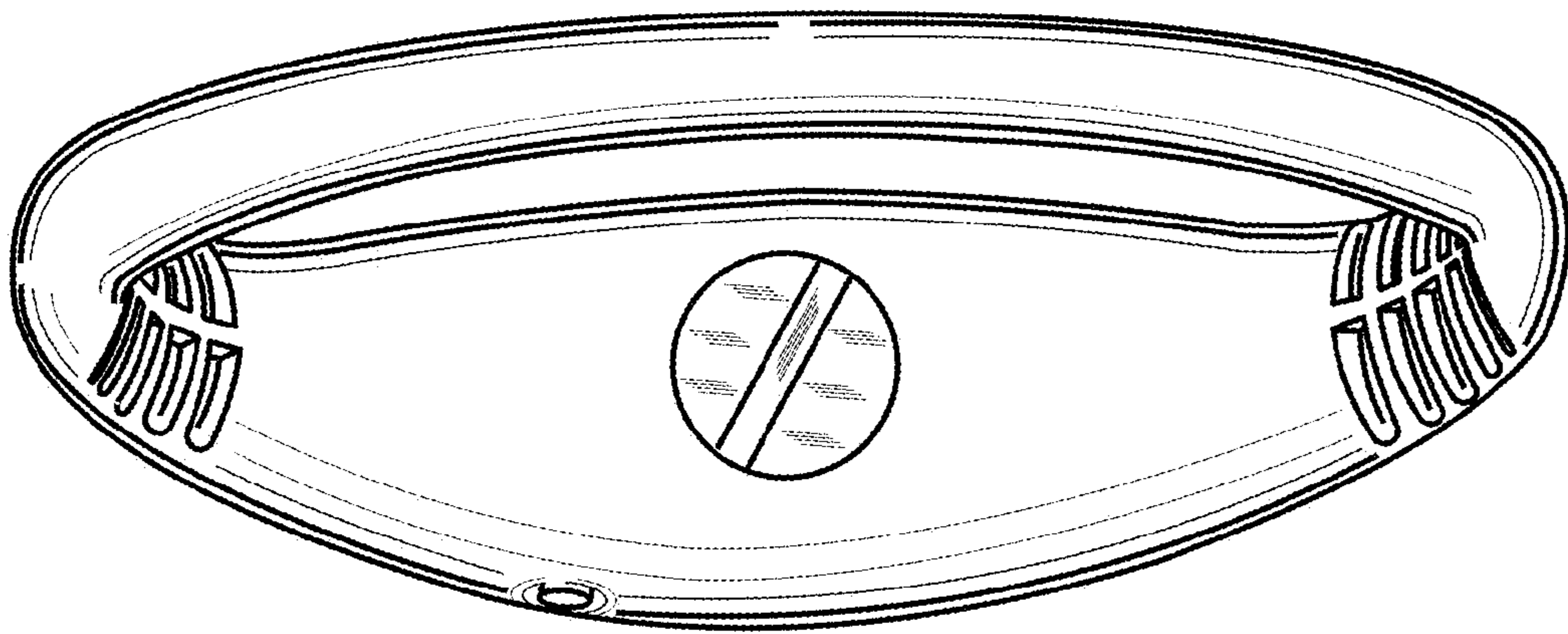
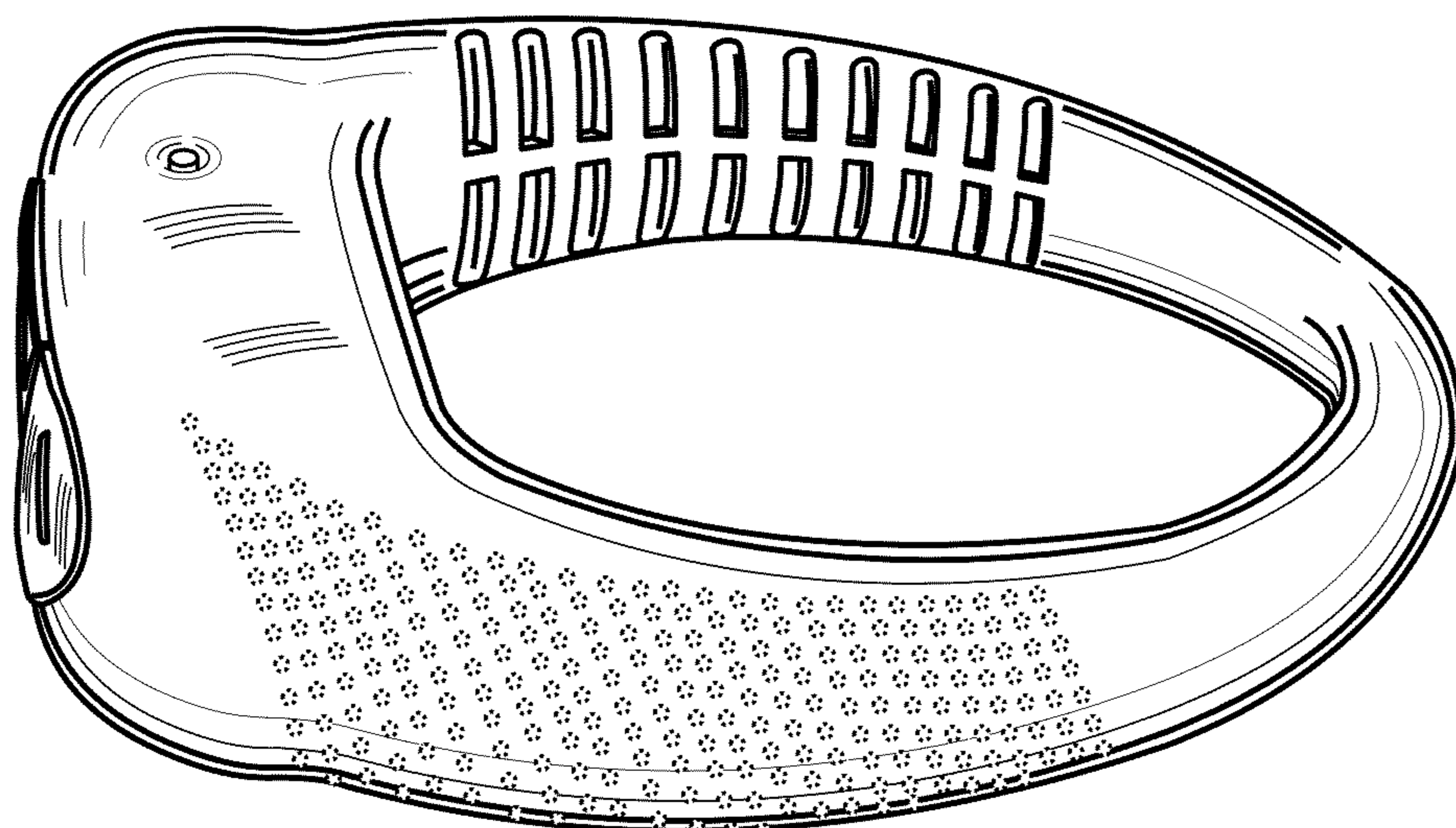


FIG. 3



—FIG. 4



—FIG. 5