



US00D686080S

(12) **United States Design Patent**
Tomkins et al.

(10) **Patent No.:** **US D686,080 S**

(45) **Date of Patent:** **** *Jul. 16, 2013**

(54) **BOTTLE**

(75) Inventors: **Steven Tomkins**, Pleasanton, CA (US);
John Jamieson, Pleasanton, CA (US);
Elizabeth Piscotty, Livermore, CA
(US); **Markus Professner**, McDonough,
GA (US); **Christian Zmoelnig**,
McDonough, GA (US); **Thomas**
Hlavacek, Hard (AT)

(73) Assignee: **The Clorox Company**, Oakland, CA
(US)

(*) Notice: This patent is subject to a terminal dis-
claimer.

(**) Term: **14 Years**

(21) Appl. No.: **29/411,153**

(22) Filed: **Jan. 17, 2012**

(51) **LOC (9) Cl.** **09-01**

(52) **U.S. Cl.**
USPC **D9/528**

(58) **Field of Classification Search**
USPC D9/516, 523, 528, 531, 537, 540,
D9/550, 575; 215/381-385; 220/660, 662,
220/675

See application file for complete search history.

(56) **References Cited**

U.S. PATENT DOCUMENTS

D190,837 S * 7/1961 Johnson D9/528
D212,319 S * 10/1968 Hills D9/528
D229,296 S * 11/1973 Cutler D9/531
D244,425 S * 5/1977 Aldrich et al. D9/528

D250,995 S * 2/1979 Beaver D9/528
D264,308 S * 5/1982 Campbell D9/528
4,759,454 A * 7/1988 Nowicki et al. 215/12.1
D309,421 S * 7/1990 Aldrich, III D9/528
D332,748 S 1/1993 Reece et al.
D375,265 S 11/1996 Meisner et al.
D378,664 S 4/1997 Feen
D403,578 S 1/1999 Paul et al.
D414,421 S 9/1999 Paul et al.
D470,417 S * 2/2003 Anderson D9/531
D507,972 S 8/2005 Kitamura et al.
D518,731 S 4/2006 Yourist et al.
D527,268 S 8/2006 Kitamura et al.
D535,882 S * 1/2007 Lambert D9/529
D556,585 S 12/2007 Money et al.
D578,006 S 10/2008 Houck et al.
2011/0284595 A1 * 11/2011 Jamieson et al. 222/465.1

* cited by examiner

Primary Examiner — Keli L Hill

(74) Attorney, Agent, or Firm — Thomas C. Feix

(57) **CLAIM**

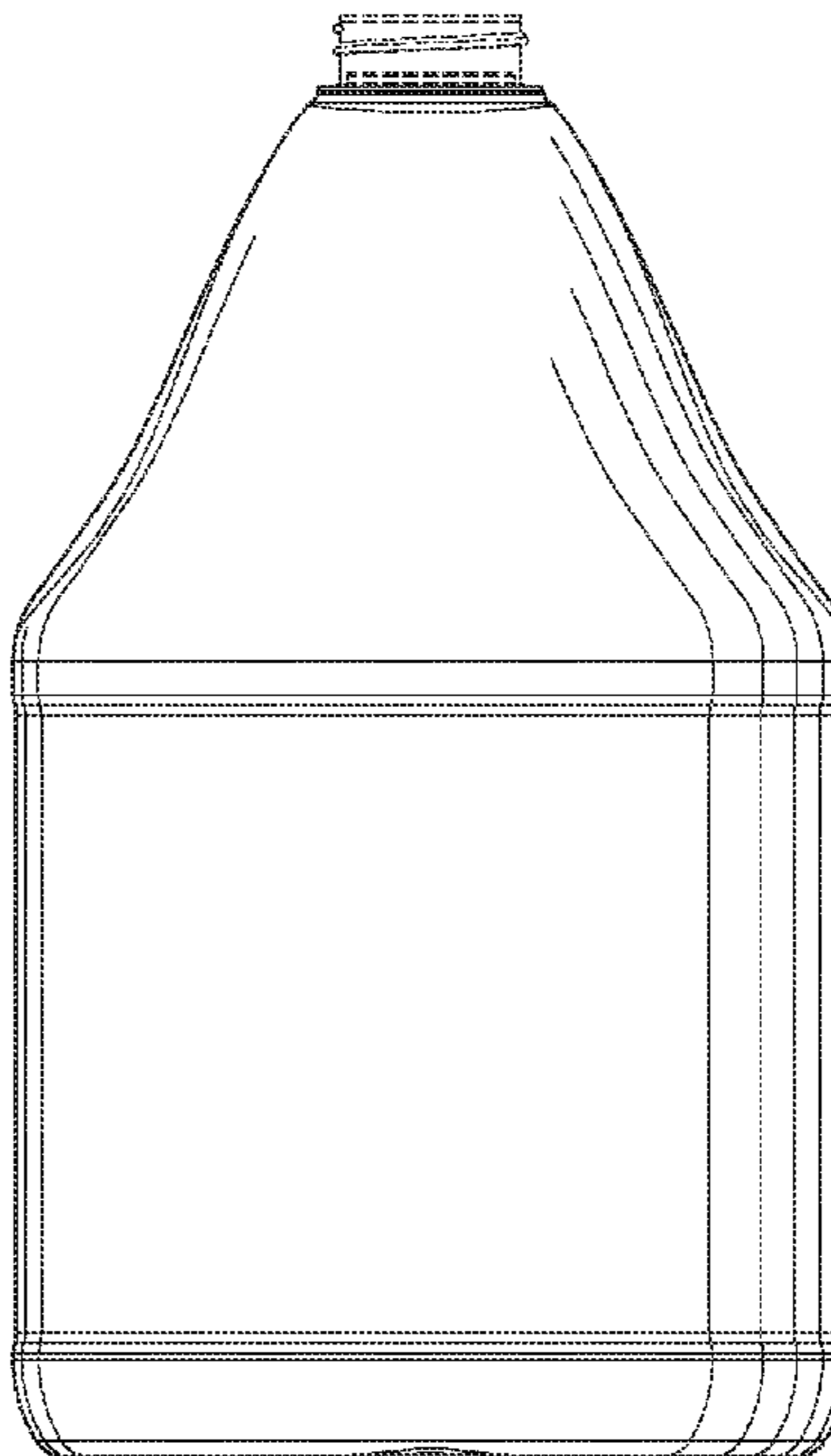
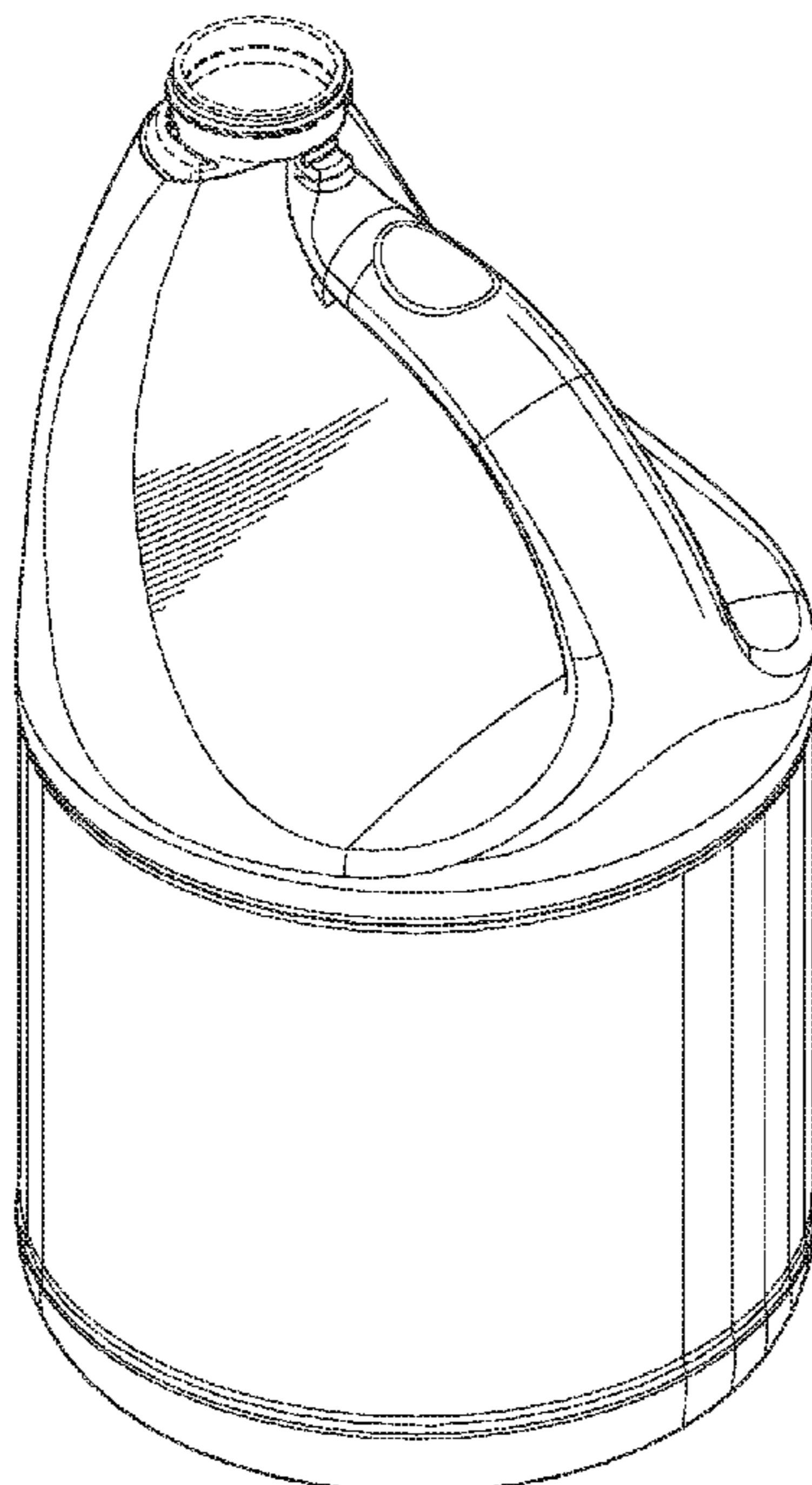
We claim an ornamental design for the bottle, as shown and
described.

DESCRIPTION

FIG. 1 is a perspective view of an embodiment of the bottle;
FIG. 2 is a top view thereof;
FIG. 3 is a bottom view thereof;
FIG. 4 is a left side view thereof;
FIG. 5 is a right side view thereof;
FIG. 6 is a front view thereof; and,
FIG. 7 is a rear view thereof.

The dashed lines are included for illustrating environmental
structure and form no part of the claimed design.

1 Claim, 3 Drawing Sheets



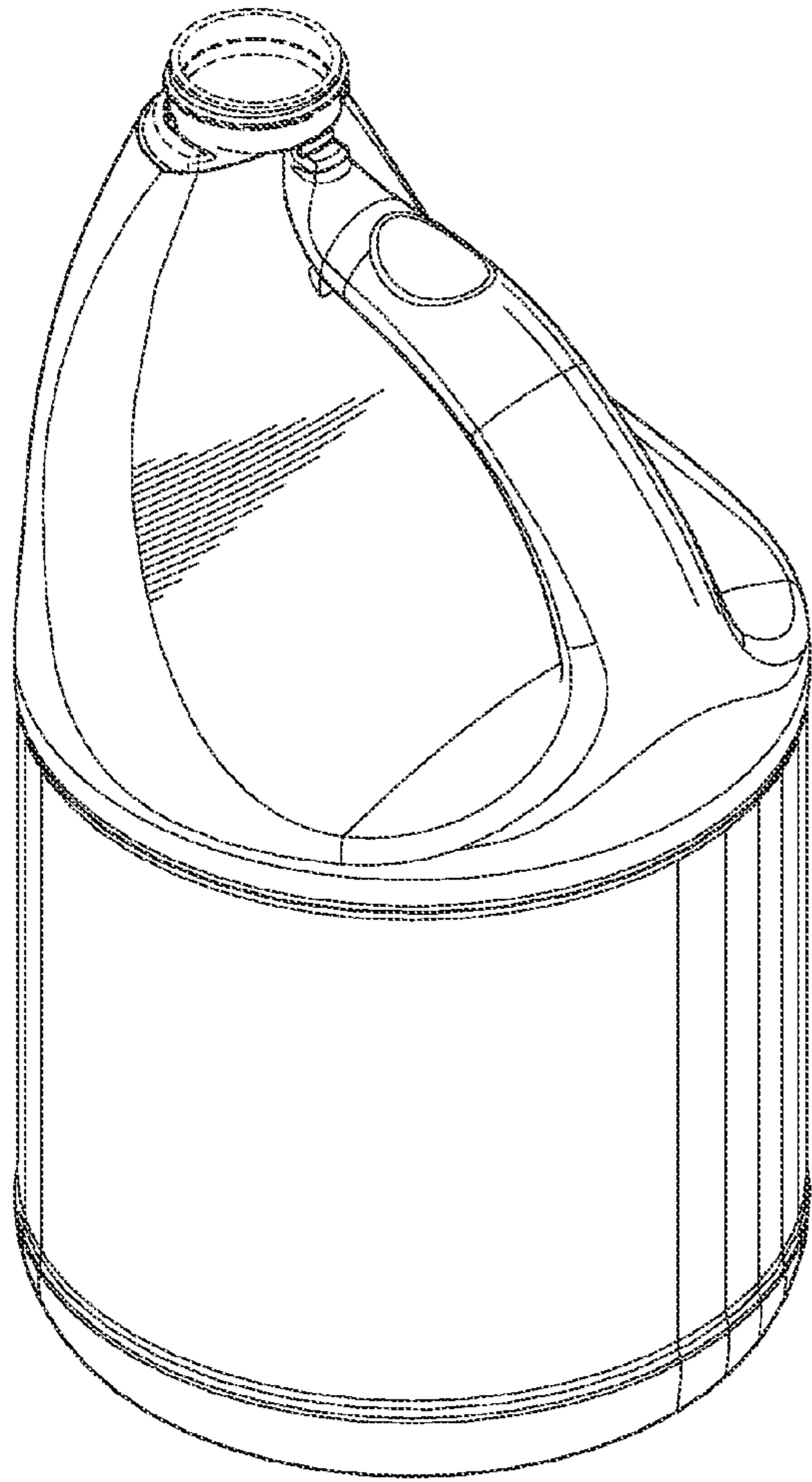


FIG. 1

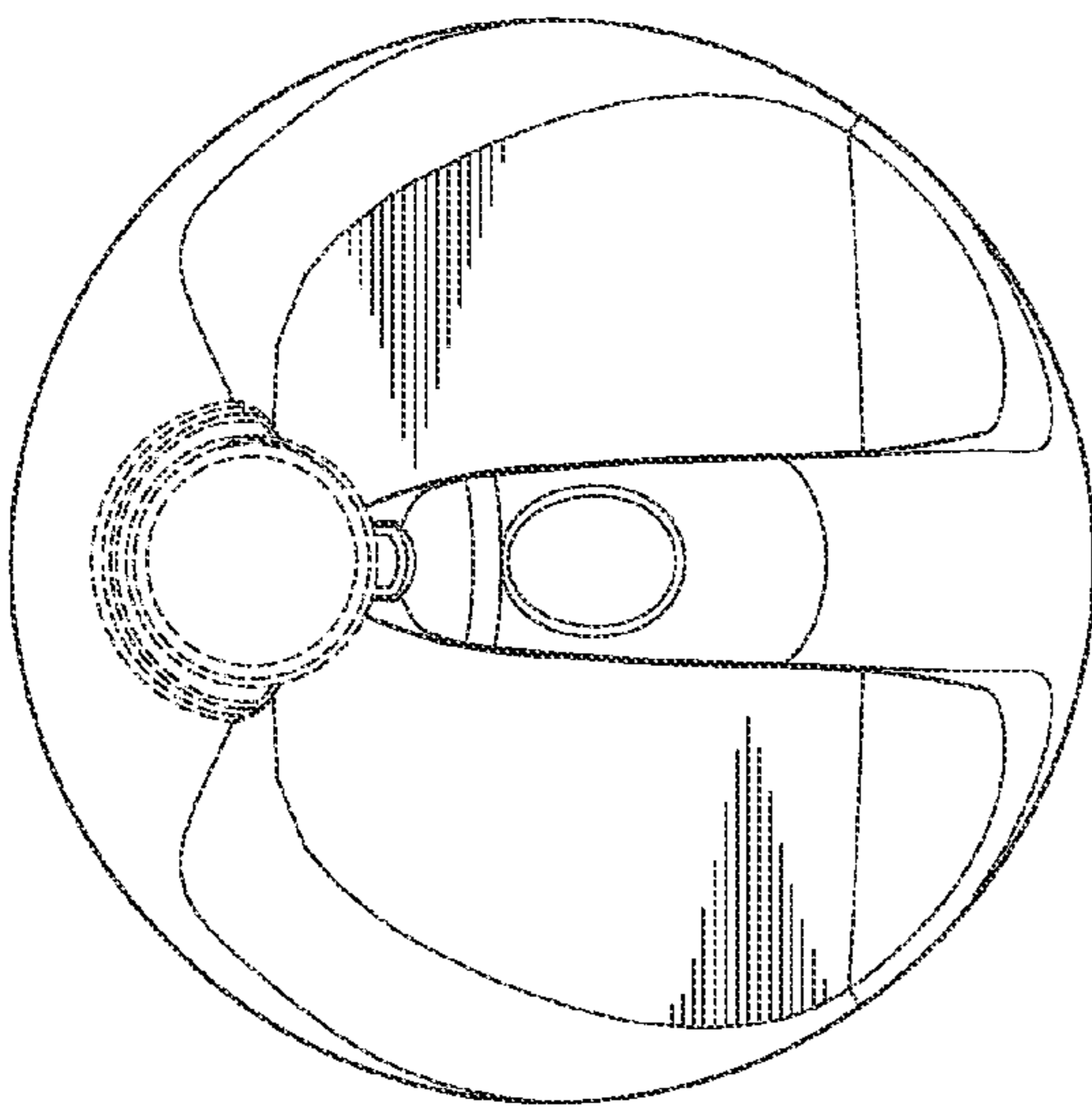


FIG. 2

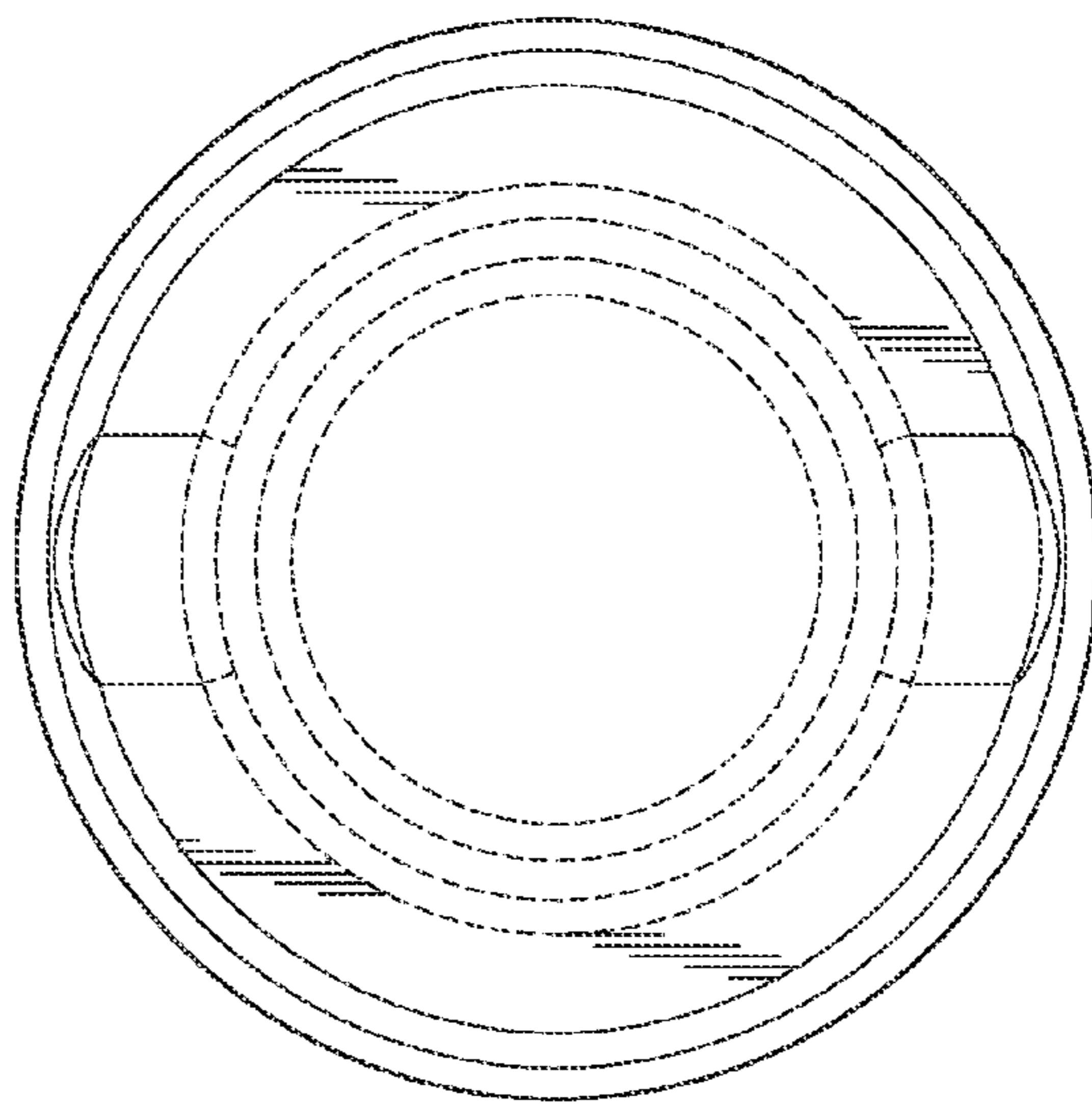


FIG. 3

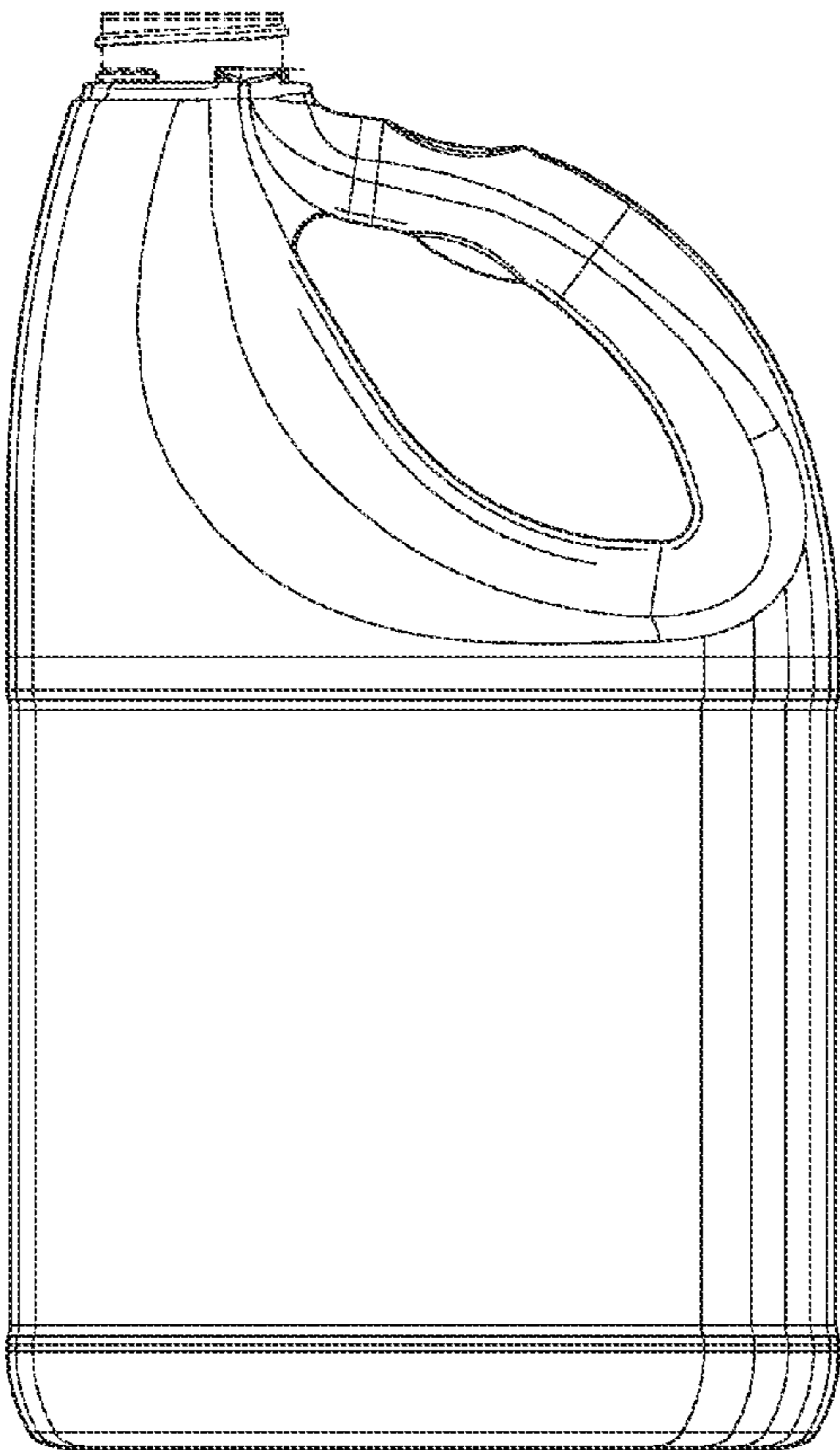


FIG. 4

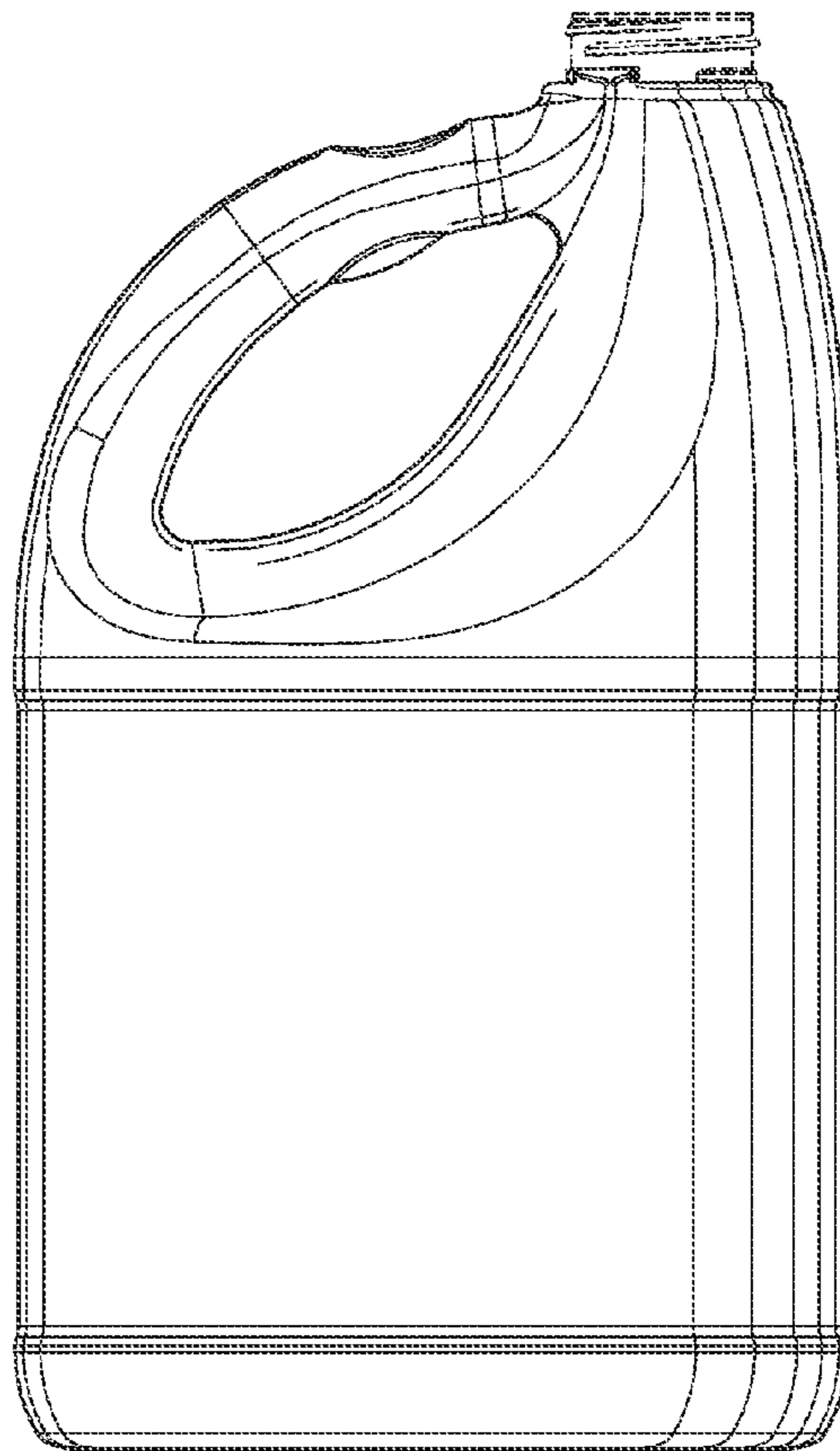


FIG. 5

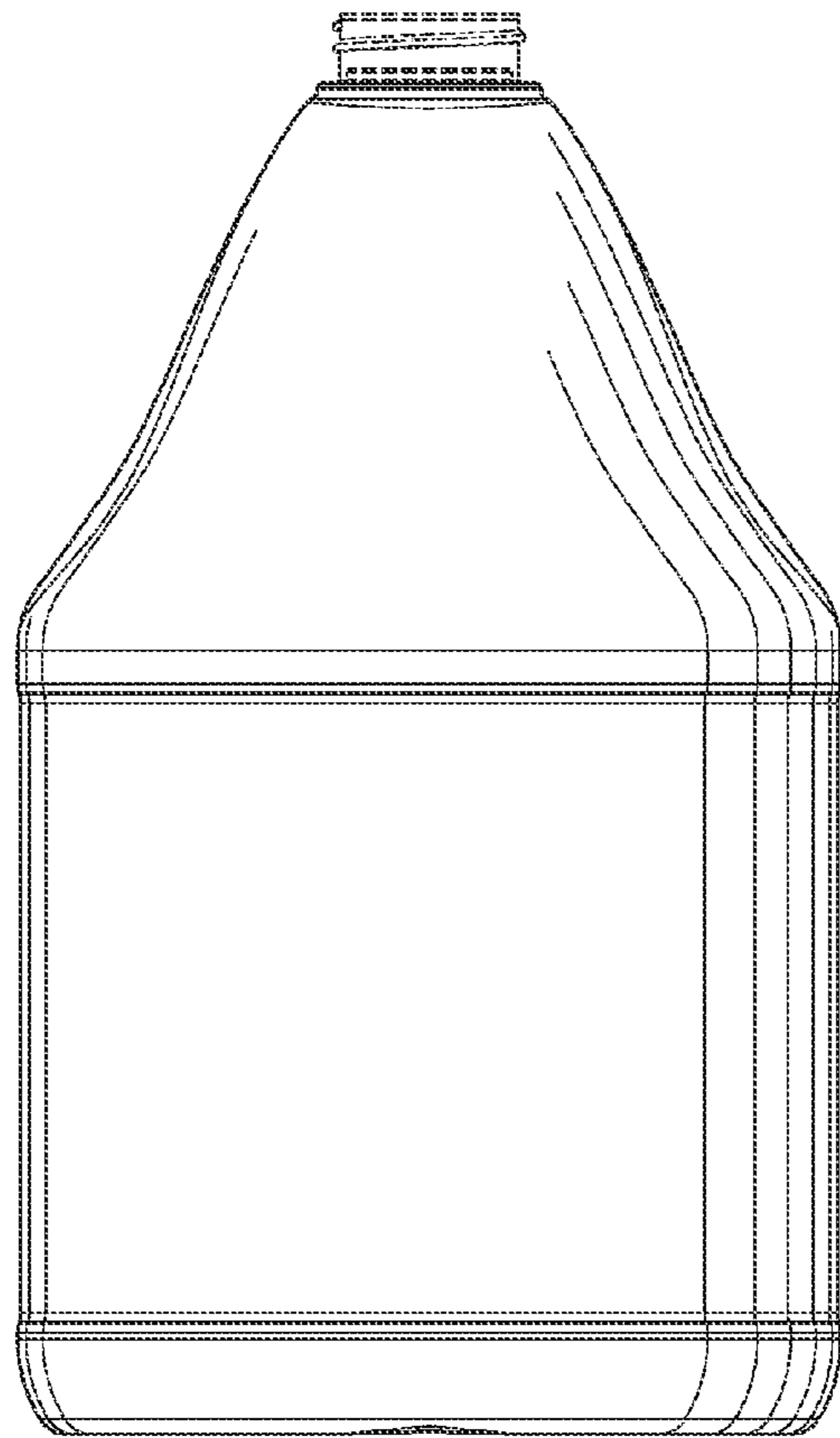


FIG. 6

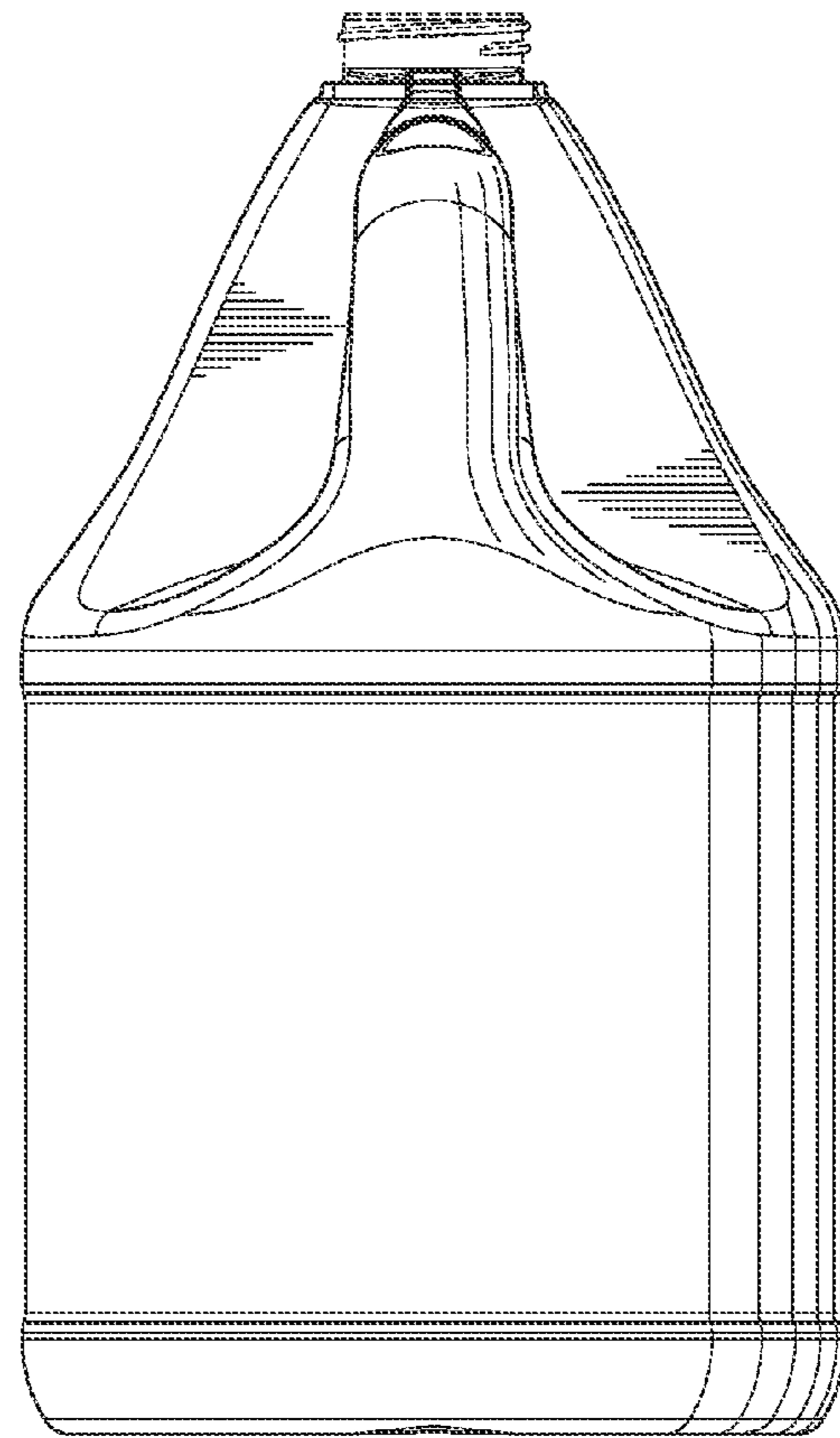


FIG. 7