



US00D686079S

(12) **United States Design Patent**
Johnson et al.

(10) **Patent No.:** **US D686,079 S**
(45) **Date of Patent:** **** Jul. 16, 2013**

- (54) **BEVERAGE CONTAINER WITH CAP**
- (75) Inventors: **Dean L. Johnson**, Littleton, CO (US);
David J. Bonfoey, Thornton, CO (US)
- (73) Assignee: **Ball Corporation**, Broomfield, CO (US)
- (**) Term: **14 Years**
- (21) Appl. No.: **29/408,690**
- (22) Filed: **Dec. 15, 2011**

- 4,741,447 A 5/1988 John
- 4,777,085 A 10/1988 Murray, Jr. et al.
- 4,878,589 A 11/1989 Webster et al.
- 4,928,835 A 5/1990 Collette et al.
- D335,455 S 5/1993 Brown
- 5,251,424 A 10/1993 Zenger et al.
- D347,571 S 6/1994 Wacker
- D364,347 S 11/1995 Sillince et al.
- 5,572,893 A 11/1996 Goda et al.
- 5,605,996 A 2/1997 Chuu et al.
- 5,660,290 A 8/1997 Hayes
- D383,067 S 9/1997 Gower et al.
- D384,888 S 10/1997 Diekhoff
- 5,718,352 A 2/1998 Diekhoff et al.

(Continued)

Related U.S. Application Data

- (62) Division of application No. 29/378,145, filed on Oct. 29, 2010.
- (51) **LOC (9) Cl.** **09-01**
- (52) **U.S. Cl.**
USPC **D9/503**; D9/452; D9/772
- (58) **Field of Classification Search**
USPC D9/500, 502–505, 516, 549, 557–55,
D9/575, 763–764, 772, 779–780, 434–435,
D9/452–454; D7/509–511; 215/379, 381;
220/660, 662, 675
See application file for complete search history.

FOREIGN PATENT DOCUMENTS

AU	2003290205	3/2004
CA	2348438	3/2001

(Continued)

OTHER PUBLICATIONS

Johnson et al. U.S. Appl. No. 29/378,145, filed Oct. 29, 2010.

(Continued)

Primary Examiner — Ian Simmons
Assistant Examiner — Dana L Meyrow
 (74) *Attorney, Agent, or Firm* — Sheridan Ross P.C.

(56) **References Cited**

U.S. PATENT DOCUMENTS

- | | | | |
|--------------|---------|-----------------|--------|
| D9,991 S | 5/1877 | Pinckney | |
| D35,068 S | 9/1901 | Lorenz | |
| 1,079,403 A | 11/1913 | Crecelius | |
| 2,157,896 A | 5/1939 | Held | |
| D227,656 S * | 7/1973 | Broadhead | D9/529 |
| D234,291 S * | 2/1975 | Broadhead | D9/550 |
| 3,995,572 A | 12/1976 | Saunders | |
| D248,927 S | 8/1978 | Cassia | |
| D249,330 S | 9/1978 | Pigeon | |
| D258,346 S | 2/1981 | Winchell et al. | |
| D260,732 S | 9/1981 | Walker | |

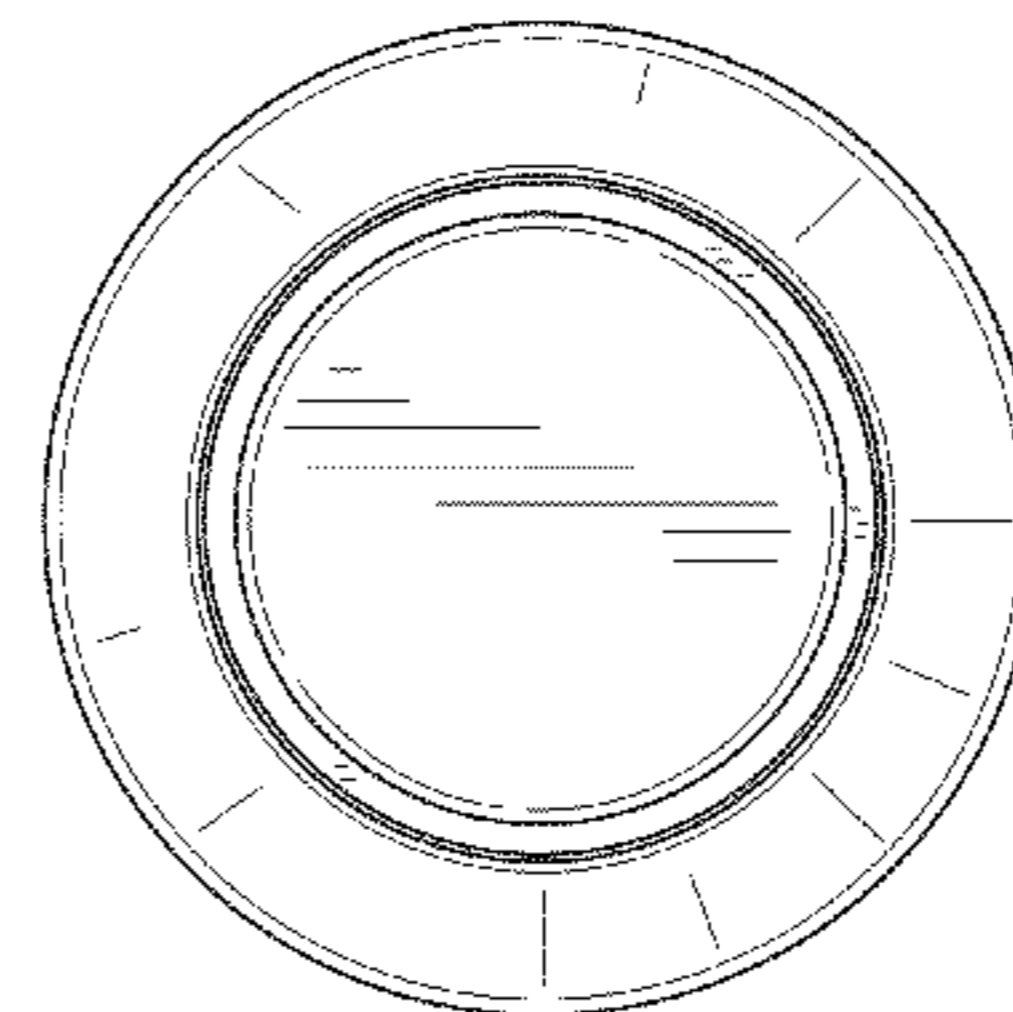
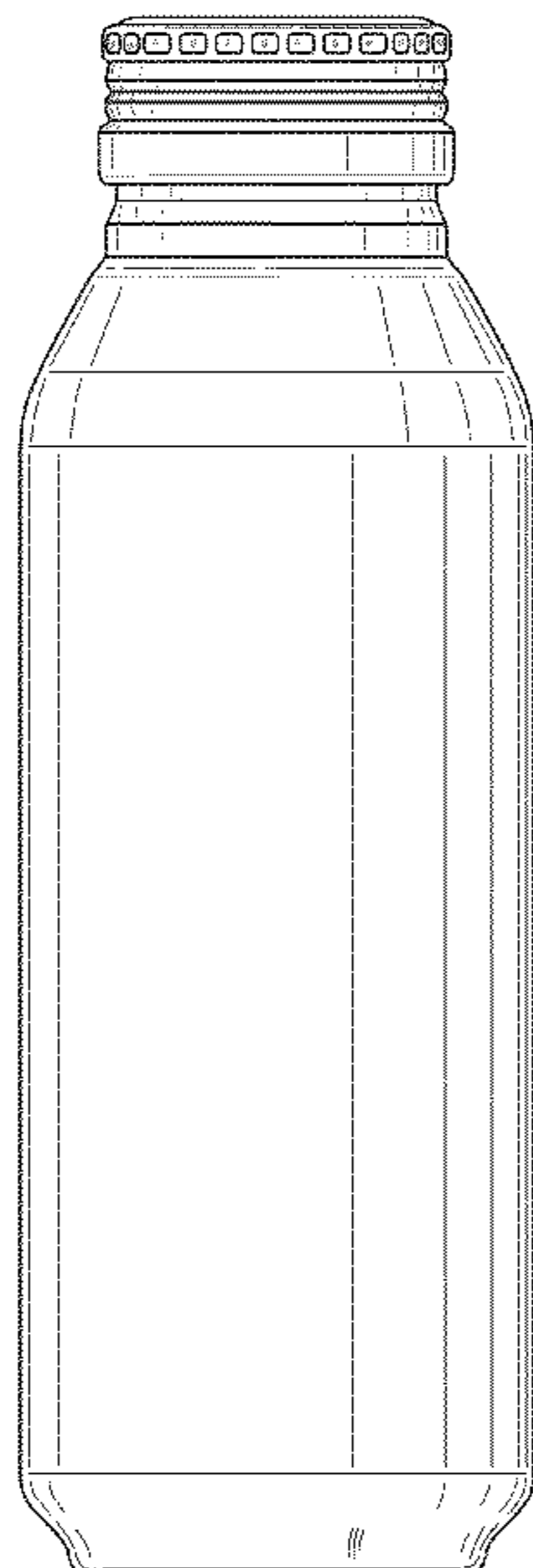
(57) **CLAIM**

The ornamental design for a beverage container with cap, as shown and described.

DESCRIPTION

FIG. 1 is a front perspective view of a beverage container with cap;
 FIG. 2 is a front elevation view thereof; and,
 FIG. 3 is a top plan view thereof.

1 Claim, 3 Drawing Sheets



US D686,079 S

Page 2

U.S. PATENT DOCUMENTS

5,755,354	A	5/1998	Lang	
5,822,843	A	10/1998	Diekhoff et al.	
D414,238	S	9/1999	Kupperman	
6,010,028	A	1/2000	Jordan et al.	
D422,914	S	4/2000	Lasky	
D435,648	S	12/2000	Shah et al.	
D435,649	S	12/2000	Shah et al.	
6,179,143	B1	1/2001	Grob	
D441,657	S	5/2001	Brown	
6,338,415	B1	1/2002	Grob	
6,375,020	B1	4/2002	Marquez	
6,463,776	B1	10/2002	Enoki et al.	
D475,630	S	6/2003	Canino	
6,779,677	B2	8/2004	Chupak	
6,857,304	B2	2/2005	Enoki	
D503,343	S	3/2005	Canino	
6,907,653	B2	6/2005	Chupak	
6,945,085	B1	9/2005	Goda	
6,959,830	B1	11/2005	Kanou et al.	
D518,732	S *	4/2006	Gedanke et al.	D9/529
D528,000	S	9/2006	Davis et al.	
7,140,223	B2	11/2006	Chupak	
7,171,840	B2	2/2007	Kanou et al.	
D554,000	S	10/2007	Walsh	
D564,881	S	3/2008	Chupak	
D569,252	S	5/2008	Borsari et al.	
D584,623	S	1/2009	Chupak	
D592,060	S	5/2009	Chupak	
D596,488	S	7/2009	Chupak	
D600,556	S	9/2009	Chupak	
D600,557	S	9/2009	Chupak	
D605,040	S	12/2009	Fry et al.	
7,651,651	B2	1/2010	Riffer	
D619,457	S	7/2010	Walsh	
D619,458	S	7/2010	Walsh	
D619,459	S	7/2010	Walsh	
D620,360	S	7/2010	Walsh	
D622,145	S	8/2010	Walsh	
7,798,357	B2	9/2010	Hanafusa et al.	
D638,708	S	5/2011	Walsh	
7,946,436	B2	5/2011	Laveault et al.	
D639,164	S	6/2011	Walsh	
D644,515	S	9/2011	Tieleman et al.	
8,016,148	B2	9/2011	Walsh	
D646,165	S	10/2011	Chupak	
D646,166	S	10/2011	Chupak	
D653,966	S *	2/2012	Kohara et al.	D9/774
D654,379	S *	2/2012	Kohara et al.	D9/774
D654,380	S *	2/2012	Kohara et al.	D9/774
D656,822	S	4/2012	Jacober	
D671,010	S	11/2012	Shefler	
2003/0102278	A1	6/2003	Chupak	
2004/0035871	A1	2/2004	Chupak	
2005/0127077	A1	6/2005	Chupak	
2007/0017089	A1	1/2007	Hosoi	
2007/0051687	A1	3/2007	Olson	

2008/0047922	A1	2/2008	Olson et al.
2009/0261101	A1	10/2009	Forrest et al.
2010/0252524	A1	10/2010	Dubs et al.
2010/0282706	A1	11/2010	Gilliam

FOREIGN PATENT DOCUMENTS

CA	2352747	4/2001
CA	2495205	3/2004
CN	1675010	9/2005
DE	60218219	10/2007
EP	0381322	8/1990
EP	0949216	10/1999
EP	1461262	9/2004
EP	1531952	8/2006
EP	1731239	9/2009
EP	2119515	11/2009
WO	WO 88/08398	11/1988
WO	WO 95/10487	4/1995
WO	WO 99/38914	8/1999
WO	WO 01/15829	3/2001
WO	DM/062281	12/2002
WO	DM/063368	4/2003
WO	WO 03/047991	6/2003
WO	WO 2004/018121	3/2004
WO	WO 2004/039511	5/2004
WO	WO 2004/106426	12/2004
WO	WO 2008/103629	8/2008
WO	WO 2009/131994	10/2009

OTHER PUBLICATIONS

Johnson et al., U.S. Appl. No. 29/378,146, filed Oct. 29, 2010.
 Johnson et al., U.S. Appl. No. 29/378,147, filed Oct. 29, 2010.
 Johnson et al., U.S. Appl. No. 29/386,520, filed Mar. 2, 2011.
 Jacober, U.S. Appl. No. 29/386,578, filed Mar. 2, 2011.
 Johnson et al. U.S. Appl. No. 29/408,689, filed Dec. 15, 2011.
 Johnson et al. U.S. Appl. No. 29/408,691, filed Dec. 15, 2011.
 Jacober U.S. Appl. No. 29/411,487, filed Jan. 20, 2012.
 Jacober et al. U.S. Appl. No. 29/411,761, filed Jan. 25, 2012.
 Official Action for U.S. Appl. No. 29/378,145, mailed Nov. 10, 2011
 7 pages Restriction Requirement.
 Official Action for U.S. Appl. No. 29/408,691, mailed Mar. 23, 2012
 9 pages.
 Official Action for U.S. Appl. No. 29/378,146, mailed Mar. 26, 2012
 7 pages.
 Official Action for U.S. Appl. No. 29/378,145, mailed Mar. 27, 2012
 8 pages.
 U.S. Appl. No. 29/437,075, filed Nov. 13, 2012, Hines.
 "100% Recyclable—Bottlecan by CCL Container," at www.Bottlecan.com/recycle.html, Jun. 22, 2011, 1 page.
 "Aluminum Beer Bottles," at www.bottless.org/Aluminum_Beer_Bottles_s/566.htm, Jun. 22, 2011, 2 pages.
 Wikipedia, "Aluminium bottle," at www.en.wikipedia.org/wiki/Aluminium_bottle, Jun. 22, 2011, 4 pages.

* cited by examiner

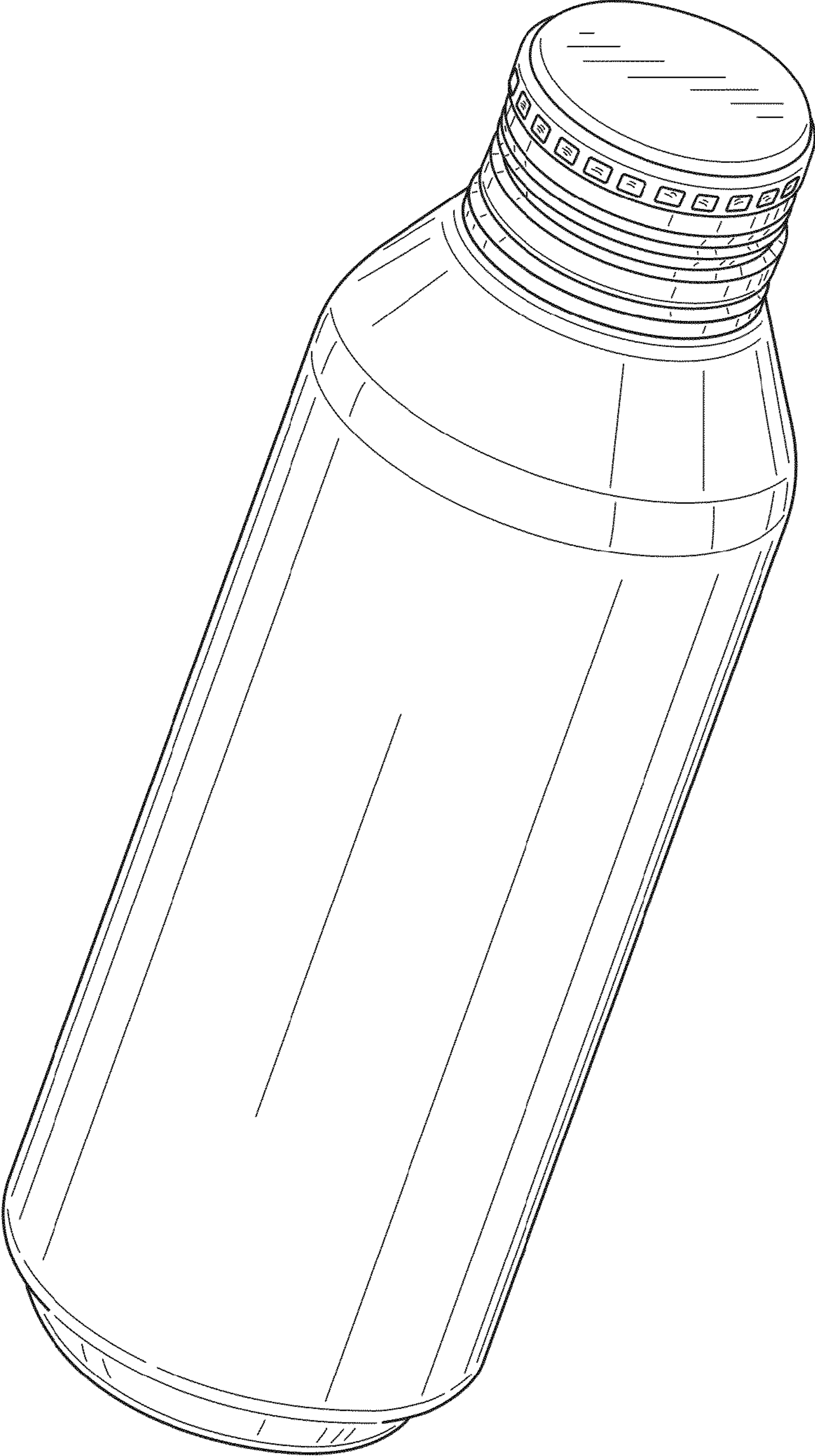


FIG.1

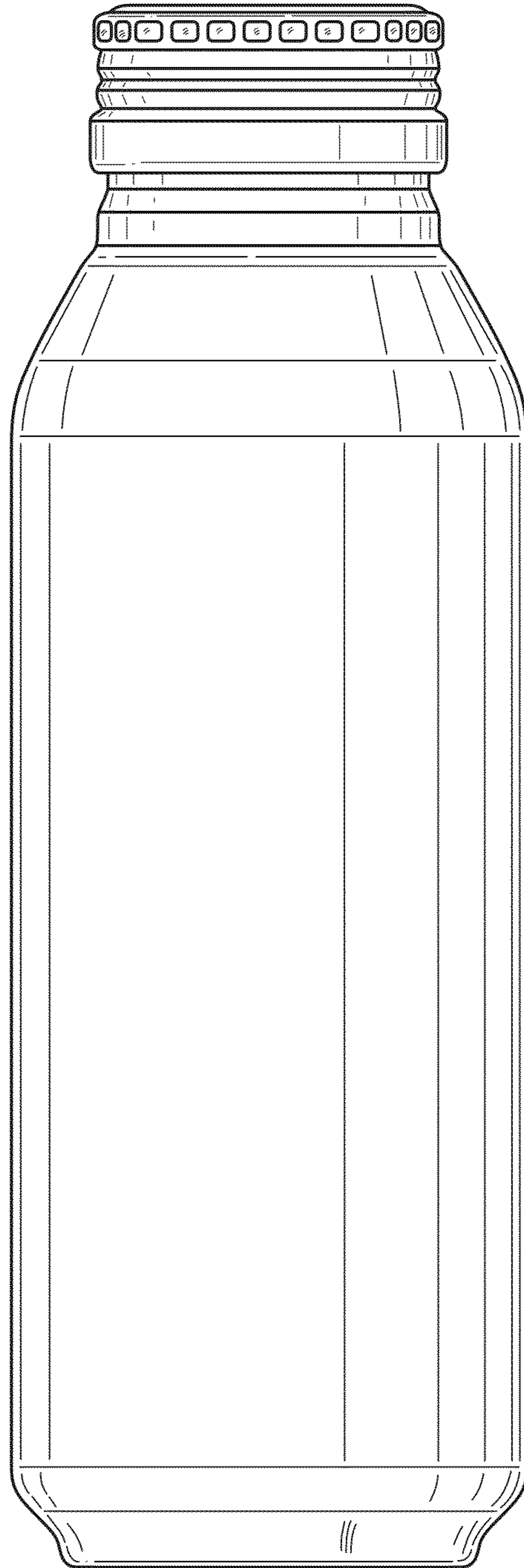


FIG.2

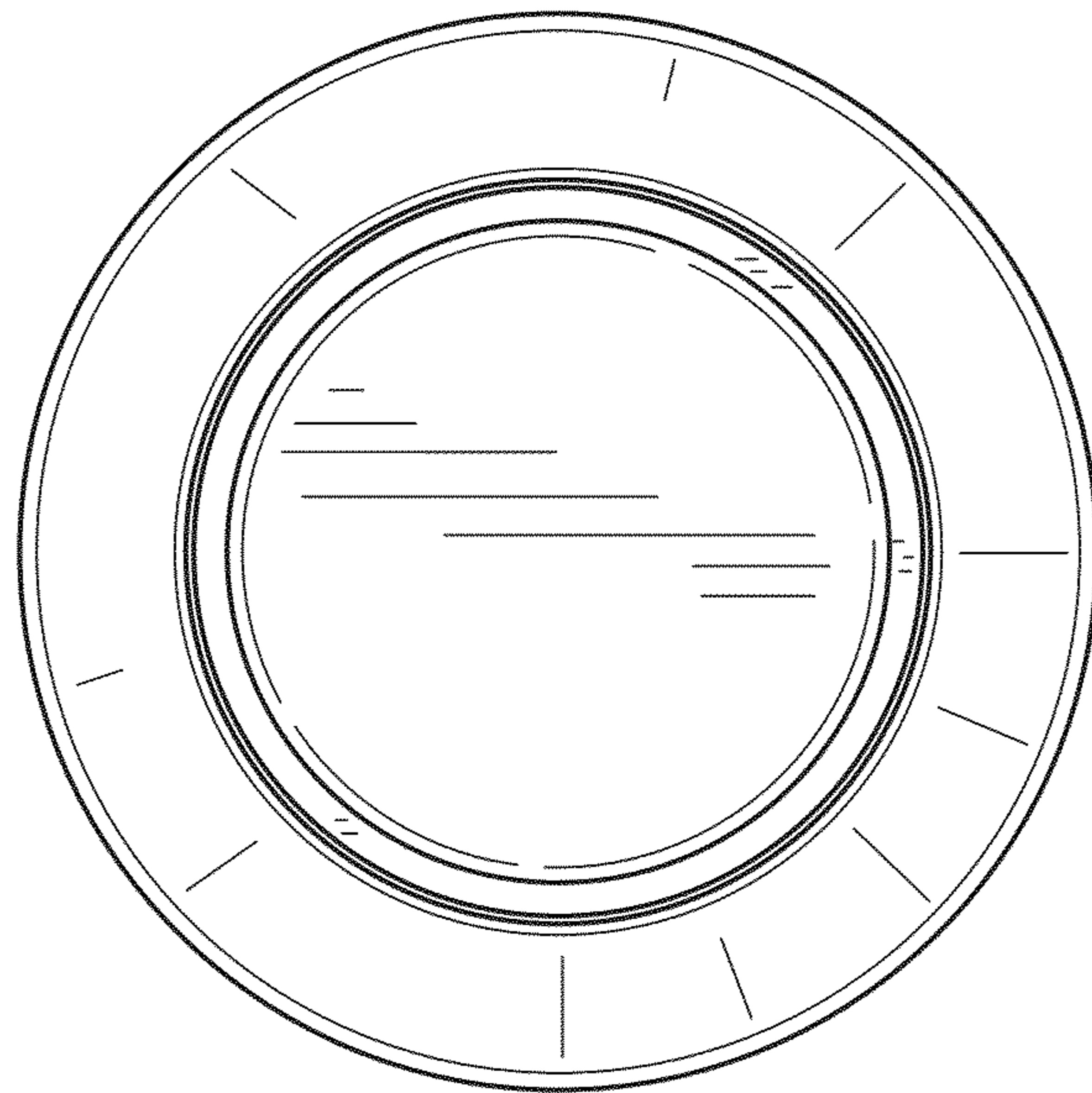


FIG.3