



US00D686078S

(12) **United States Design Patent**
Johnson et al.

(10) **Patent No.:** **US D686,078 S**
(45) **Date of Patent:** **** Jul. 16, 2013**

- (54) **BEVERAGE CONTAINER WITH CAP**
- (75) Inventors: **Dean L. Johnson**, Littleton, CO (US);
David L. Bonfoey, Thornton, CO (US)
- (73) Assignee: **Ball Corporation**, Broomfield, CO (US)
- (**) Term: **14 Years**
- (21) Appl. No.: **29/408,689**
- (22) Filed: **Dec. 15, 2011**

- 4,741,447 A 5/1988 John
- 4,777,085 A 10/1988 Murray, Jr. et al.
- 4,878,589 A 11/1989 Webster et al.
- 4,928,835 A 5/1990 Collette et al.
- D335,455 S 5/1993 Brown
- 5,251,424 A 10/1993 Zenger et al.
- D347,571 S 6/1994 Wacker
- D364,347 S 11/1995 Sillince et al.
- 5,572,893 A 11/1996 Goda et al.
- 5,605,996 A 2/1997 Chuu et al.
- 5,660,290 A 8/1997 Hayes
- D383,067 S 9/1997 Gower et al.
- D384,888 S 10/1997 Diekhoff
- 5,718,352 A 2/1998 Diekhoff et al.

(Continued)

Related U.S. Application Data

- (62) Division of application No. 29/378,147, filed on Oct. 29, 2010.
- (51) **LOC (9) Cl.** **09-01**
- (52) **U.S. Cl.**
USPC **D9/503; D9/452; D9/772**
- (58) **Field of Classification Search**
USPC D9/500, 502–505, 516, 549, 557–55,
D9/575, 763–764, 772, 779–780, 434–435,
D9/454; D7/509–511; 215/379, 381; 220/660,
220/662, 675
See application file for complete search history.

FOREIGN PATENT DOCUMENTS

AU	2003290205	3/2004
CA	2348438	3/2001

(Continued)

OTHER PUBLICATIONS

Johnson et al. U.S. Appl. No. 29/378,145, filed Oct. 29, 2010.

(Continued)

Primary Examiner — Ian Simmons
Assistant Examiner — Dana L Meyrow
(74) *Attorney, Agent, or Firm* — Sheridan Ross P.C.

(56) **References Cited**

U.S. PATENT DOCUMENTS

D9,991 S	5/1877	Pinckney	
D35,068 S	9/1901	Lorenz	
1,079,403 A	11/1913	Crecelius	
2,157,896 A	5/1939	Held	
D227,656 S *	7/1973	Broadhead	D9/529
D234,291 S *	2/1975	Broadhead	D9/550
3,995,572 A	12/1976	Saunders	
D248,927 S	8/1978	Cassia	
D249,330 S	9/1978	Pigeon	
D258,346 S	2/1981	Winchell et al.	
D260,732 S	9/1981	Walker	

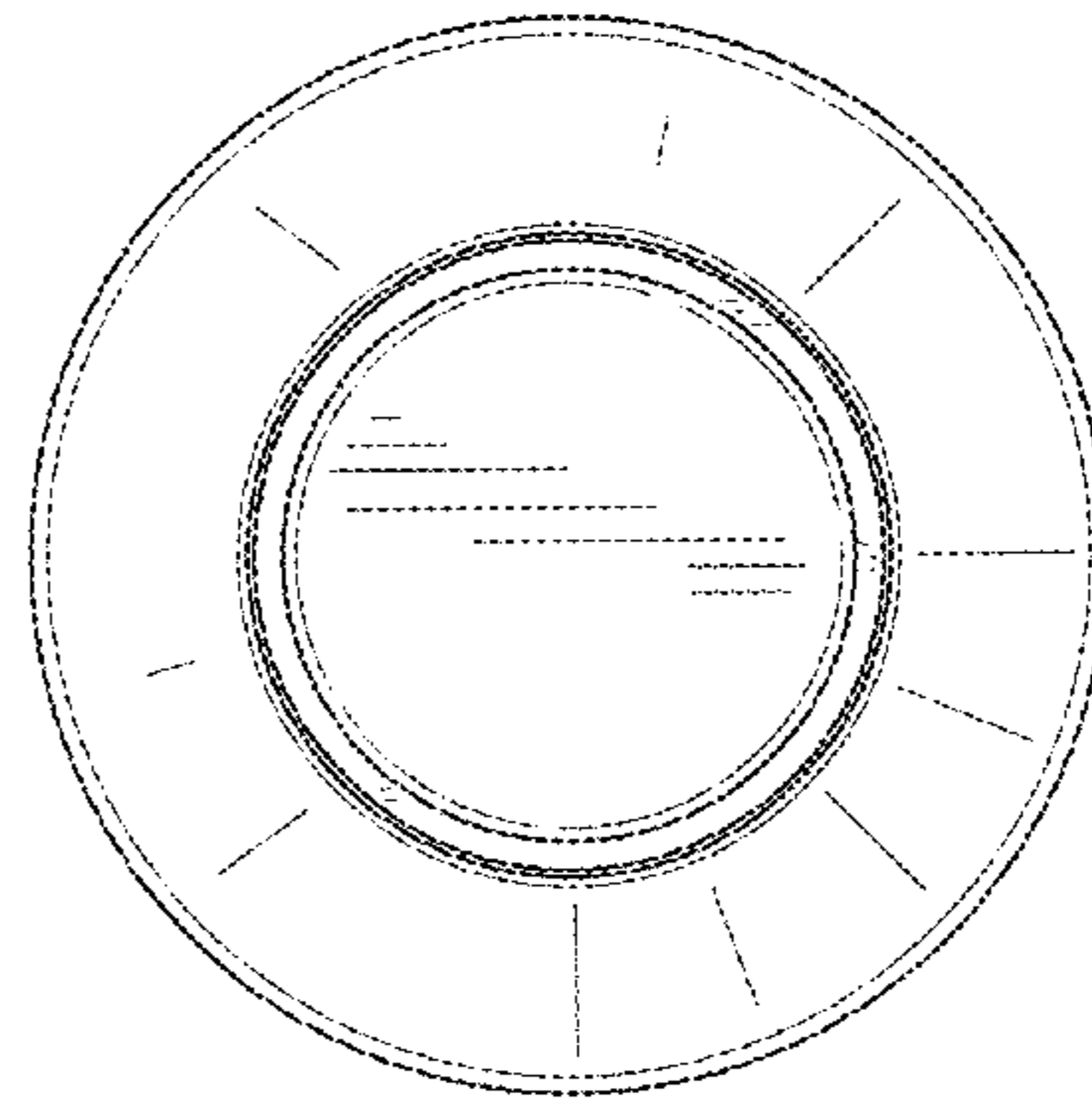
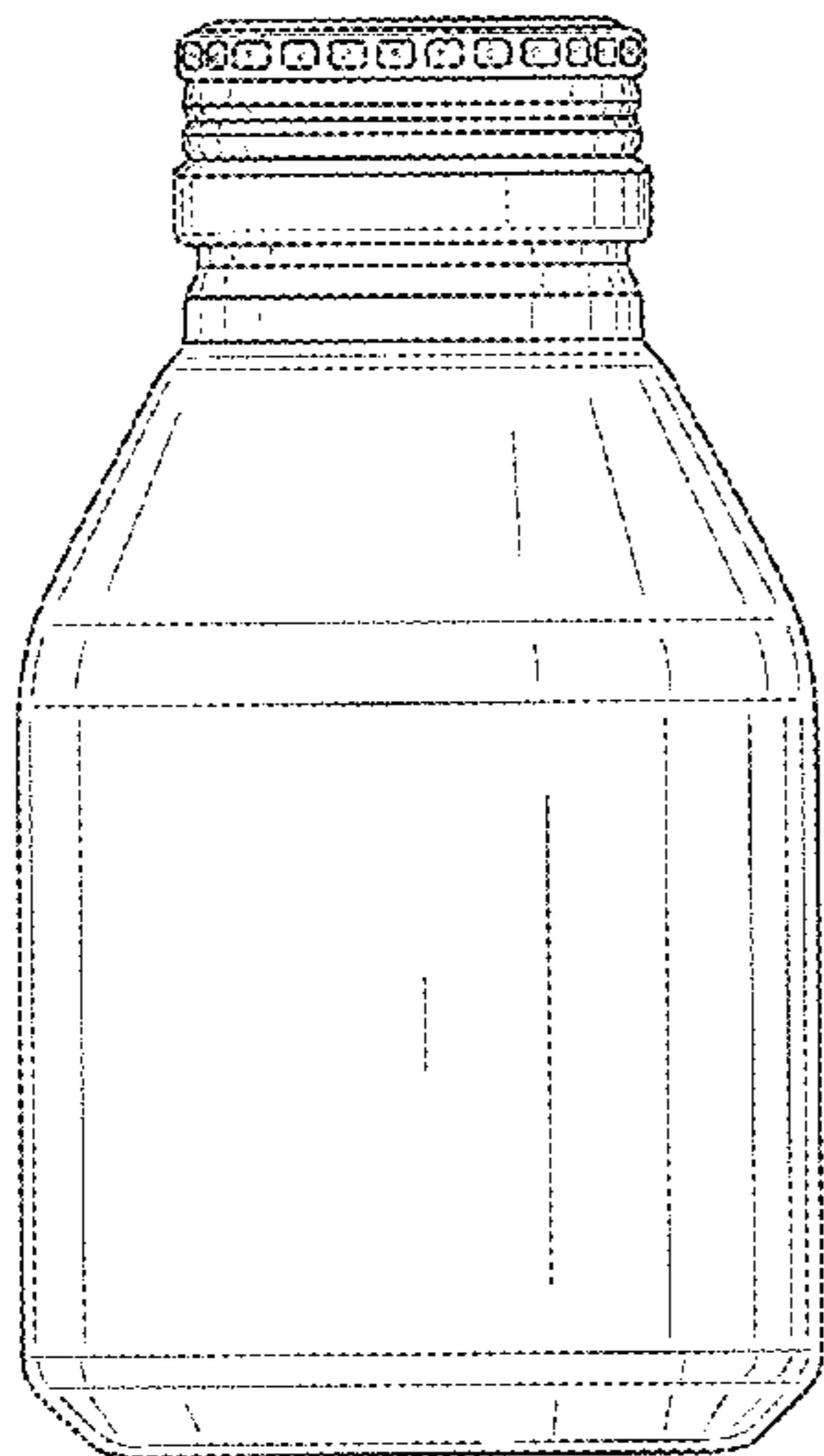
(57) **CLAIM**

The ornamental design for a beverage container with cap, as shown and described.

DESCRIPTION

FIG. 1 is a front perspective view of a beverage container with cap;
FIG. 2 is a front elevation view thereof; and,
FIG. 3 is a top plan view thereof.

1 Claim, 3 Drawing Sheets



US D686,078 S

Page 2

U.S. PATENT DOCUMENTS

5,755,354 A 5/1998 Lang
5,822,843 A 10/1998 Diekhoff et al.
D414,238 S 9/1999 Kupperman
6,010,028 A 1/2000 Jordan et al.
D422,914 S 4/2000 Lasky
D435,648 S 12/2000 Shah et al.
D435,649 S 12/2000 Shah et al.
6,179,143 B1 1/2001 Grob
D441,657 S 5/2001 Brown
6,338,415 B1 1/2002 Grob
6,375,020 B1 4/2002 Marquez
6,463,776 B1 10/2002 Enoki et al.
D475,630 S 6/2003 Canino
6,779,677 B2 8/2004 Chupak
6,857,304 B2 2/2005 Enoki
D503,343 S 3/2005 Canino
6,907,653 B2 6/2005 Chupak
6,945,085 B1 9/2005 Goda
6,959,830 B1 11/2005 Kanou et al.
D518,732 S * 4/2006 Gedanke et al. D9/529
D528,000 S 9/2006 Davis et al.
7,140,223 B2 11/2006 Chupak
7,171,840 B2 2/2007 Kanou et al.
D554,000 S 10/2007 Walsh
D564,881 S 3/2008 Chupak
D569,252 S 5/2008 Borsari et al.
D584,623 S 1/2009 Chupak
D592,060 S 5/2009 Chupak
D596,488 S 7/2009 Chupak
D600,556 S 9/2009 Chupak
D600,557 S 9/2009 Chupak
D605,040 S 12/2009 Fry et al.
7,651,651 B2 1/2010 Riffer
D619,457 S 7/2010 Walsh
D619,458 S 7/2010 Walsh
D619,459 S 7/2010 Walsh
D620,360 S 7/2010 Walsh
D622,145 S 8/2010 Walsh
7,798,357 B2 9/2010 Hanafusa et al.
D638,708 S 5/2011 Walsh
7,946,436 B2 5/2011 Laveault et al.
D639,164 S 6/2011 Walsh
D644,515 S 9/2011 Tieleman et al.
8,016,148 B2 9/2011 Walsh
D646,165 S 10/2011 Chupak
D646,166 S 10/2011 Chupak
D653,966 S * 2/2012 Kohara et al. D9/774
D654,379 S * 2/2012 Kohara et al. D9/774
D654,380 S * 2/2012 Kohara et al. D9/774
D656,822 S 4/2012 Jacober
D671,010 S 11/2012 Shefler
2003/0102278 A1 6/2003 Chupak
2004/0035871 A1 2/2004 Chupak
2005/0127077 A1 6/2005 Chupak

2007/0017089 A1 1/2007 Hosoi
2007/0051687 A1 3/2007 Olson
2008/0047922 A1 2/2008 Olson et al.
2009/0261101 A1 10/2009 Forrest et al.
2010/0252524 A1 10/2010 Dubs et al.
2010/0282706 A1 11/2010 Gilliam

FOREIGN PATENT DOCUMENTS

CA 2352747 4/2001
CA 2495205 3/2004
CN 1675010 9/2005
DE 60218219 10/2007
EP 0381322 8/1990
EP 0949216 10/1999
EP 1461262 9/2004
EP 1531952 8/2006
EP 1731239 9/2009
EP 2119515 11/2009
WO WO 88/08398 11/1988
WO WO 95/10487 4/1995
WO WO 99/38914 8/1999
WO WO 01/15829 3/2001
WO DM/062281 12/2002
WO DM/063368 4/2003
WO WO 03/047991 6/2003
WO WO 2004/018121 3/2004
WO WO 2004/039511 5/2004
WO WO 2004/106426 12/2004
WO WO 2008/103629 8/2008
WO WO 2009/131994 10/2009

OTHER PUBLICATIONS

Johnson et al., U.S. Appl. No. 29/378,146, filed Oct. 29, 2010.
Johnson et al., U.S. Appl. No. 29/378,147, filed Oct. 29, 2010.
Johnson et al., U.S. Appl. No. 29/386,520, filed Mar. 2, 2011.
Jacober, U.S. Appl. No. 29/386,578, filed Mar. 2, 2011.
Johnson et al. U.S. Appl. No. 29/408,690, filed Dec. 15, 2011.
Johnson et al. U.S. Appl. No. 29/408,691, filed Dec. 15, 2011.
Jacober U.S. Appl. No. 29/411,487, filed Jan. 20, 2012.
Jacober et al. U.S. Appl. No. 29/411,761, filed Jan. 25, 2012.
Official Action for U.S. Appl. No. 29/378,147, mailed Nov. 10, 2011
6 pages Restriction Requirement.
U.S. Appl. No. 29/437,075, filed Nov. 13, 2012, Hines.
"100% Recyclable—Bottlecan by CCL Container," at www.Bottlecan.com/recycle.html, Jun. 22, 2011, 1 page.
"Aluminum Beer Bottles," at www.bottless.org/Aluminum_Beer_Bottles_s/566.htm, Jun. 22, 2011, 2 pages.
Wikipedia, "Aluminium bottle," at www.en.wikipedia.org/wiki/Aluminium_bottle, Jun. 22, 2011, 4 pages.
Official Action for U.S. Appl. No. 29/378,147, mailed Mar. 27, 2012
8 pages.

* cited by examiner

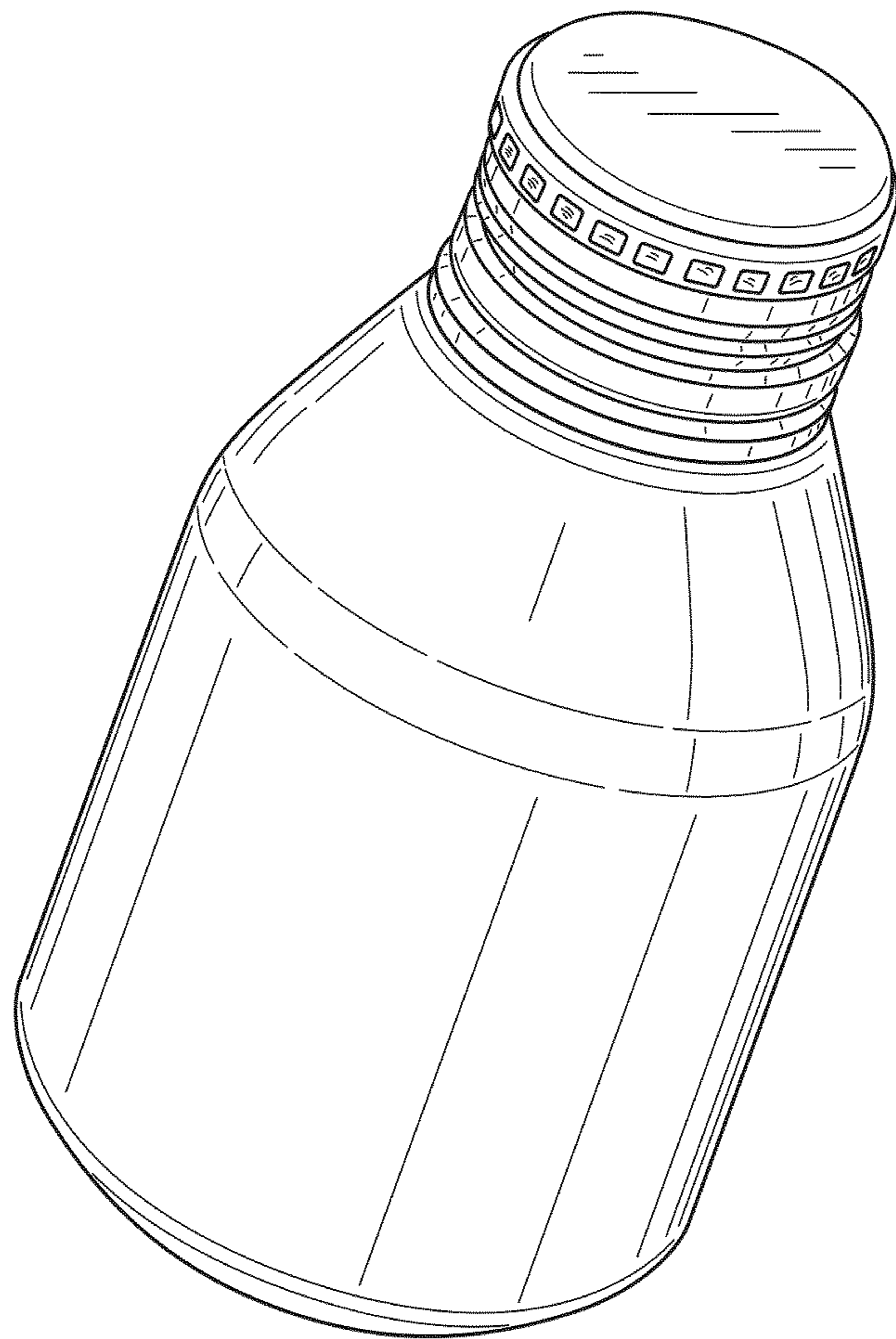


FIG.1

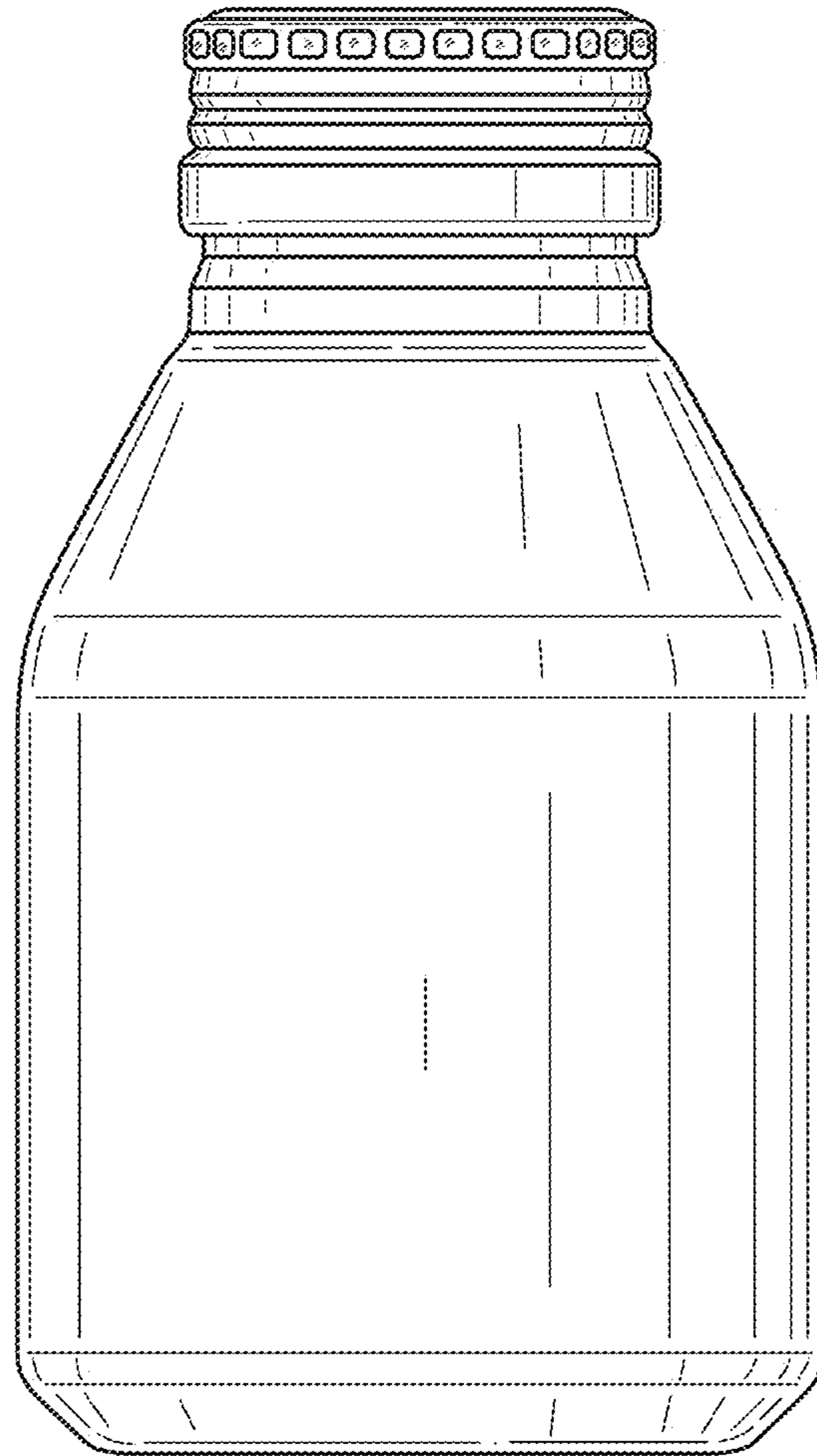


FIG. 2

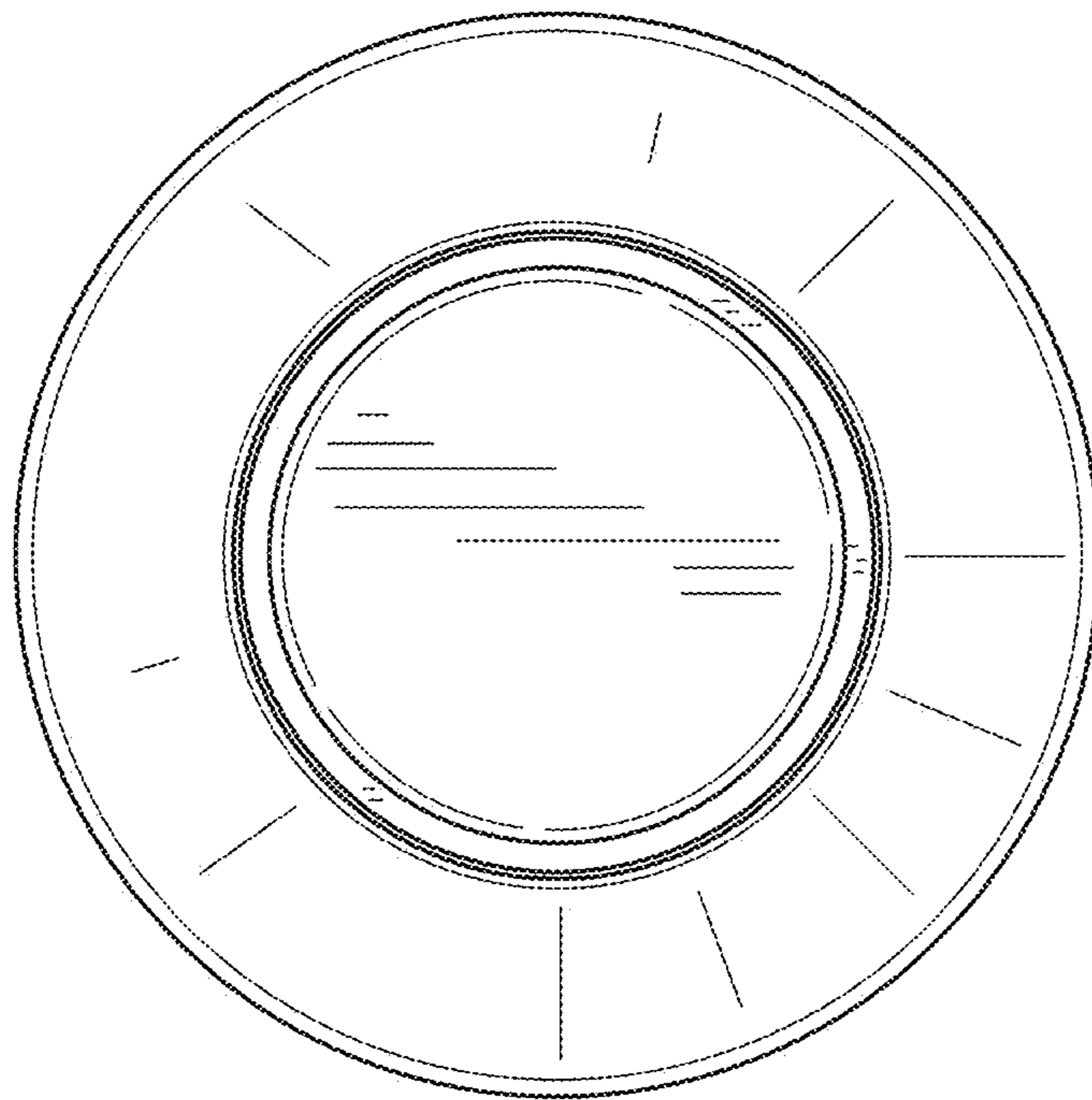


FIG.3