



US00D686075S

(12) **United States Design Patent**
Guerin et al.

(10) **Patent No.:** **US D686,075 S**
(45) **Date of Patent:** **** Jul. 16, 2013**

(54) **CLOSING MEANS FOR PACKAGING**

Primary Examiner — Susan Bennett Hattan

(75) Inventors: **Fabrice Guerin**, Lyons (FR); **Jean-Yves Rognard**, Marcy-sur-Anse (FR); **Jerome Mezerette**, Saint Cyr au Mont d'Or (FR)

(74) *Attorney, Agent, or Firm* — Gesmer Updegrave LLP

(73) Assignee: **Obrist Closures Switzerland GmbH**, Reinach (CH)

(57) **CLAIM**

The ornamental design for a closing means for packaging, as shown and described.

(**) Term: **14 Years**

DESCRIPTION

(21) Appl. No.: **29/402,461**

(22) Filed: **Sep. 23, 2011**

(51) **LOC (9) Cl.** **09-07**

(52) **U.S. Cl.**
USPC **D9/447**

(58) **Field of Classification Search**
USPC D9/453, 449, 447, 440, 436, 435,
D9/434; D7/398, 397; 222/570, 569
See application file for complete search history.

FIG. 1 is a front perspective view of the present invention as shown during use in a closed position;
FIG. 2 is a front elevation view of FIG. 1;
FIG. 3 is a rear elevation view of FIG. 1;
FIG. 4 is a left side elevation view of FIG. 1;
FIG. 5 is a right side elevation view of FIG. 1;
FIG. 6 is a top plan view of FIG. 1;
FIG. 7 is a bottom plan view of FIG. 1;
FIG. 8 is a front perspective exploded view of the present invention as shown during use in a closed position;
FIG. 9 is a front elevation exploded view of FIG. 8;
FIG. 10 is right side cross-sectional view of FIG. 1;
FIG. 11 is an alternative front perspective view of the present invention as shown in a closed position;
FIG. 12 is a front perspective view of the present invention as shown during use in an open position;
FIG. 13 is a front elevation view of FIG. 12;
FIG. 14 is a rear elevation view of FIG. 12;
FIG. 15 is a left side elevation view of FIG. 12;
FIG. 16 is a right side elevation view of FIG. 12;
FIG. 17 is a top plan view of FIG. 12; and,
FIG. 18 is a bottom plan view of FIG. 12.

(56) **References Cited**

U.S. PATENT DOCUMENTS

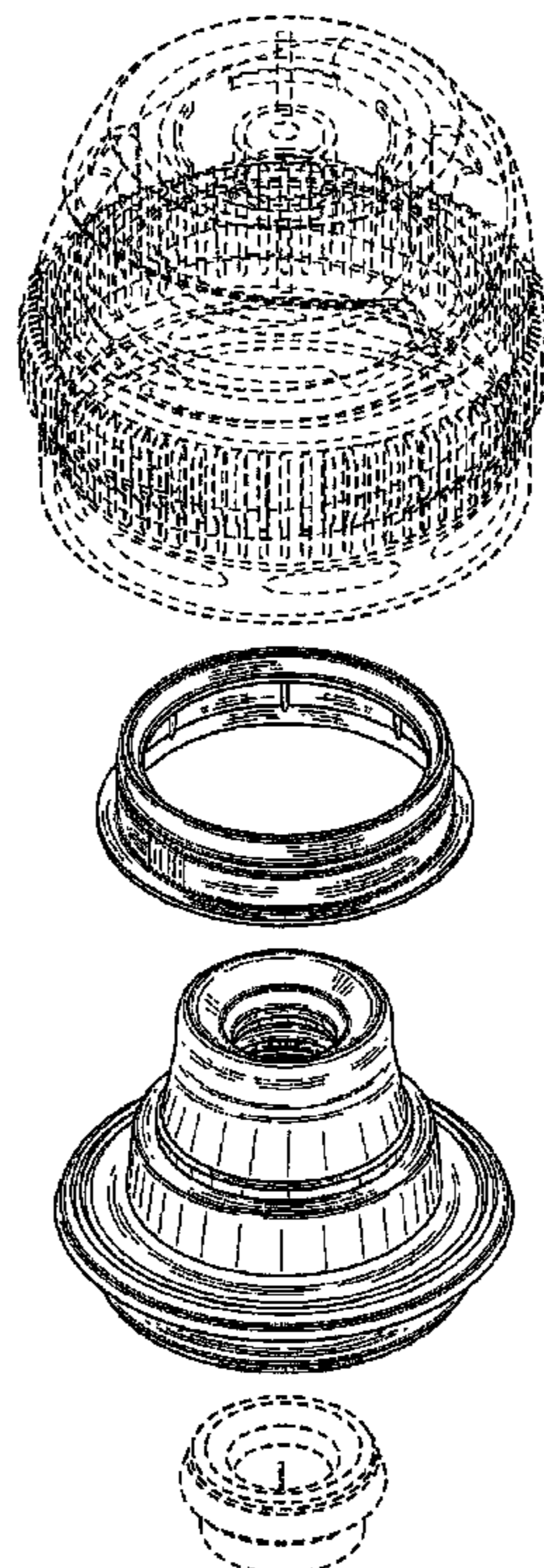
D200,182 S *	1/1965	Croell et al.	D9/448
D364,566 S *	11/1995	Douer	D9/436
D447,410 S *	9/2001	Malmberg	D9/434
D625,605 S	10/2010	Bardet		
D656,820 S *	4/2012	Willows et al.	D9/447
2010/0264145 A1	10/2010	Benoit-Gonin et al.		

FOREIGN PATENT DOCUMENTS

EP	1892194 A1	2/2008
EP	2213584 A1	4/2010

* cited by examiner

1 Claim, 9 Drawing Sheets



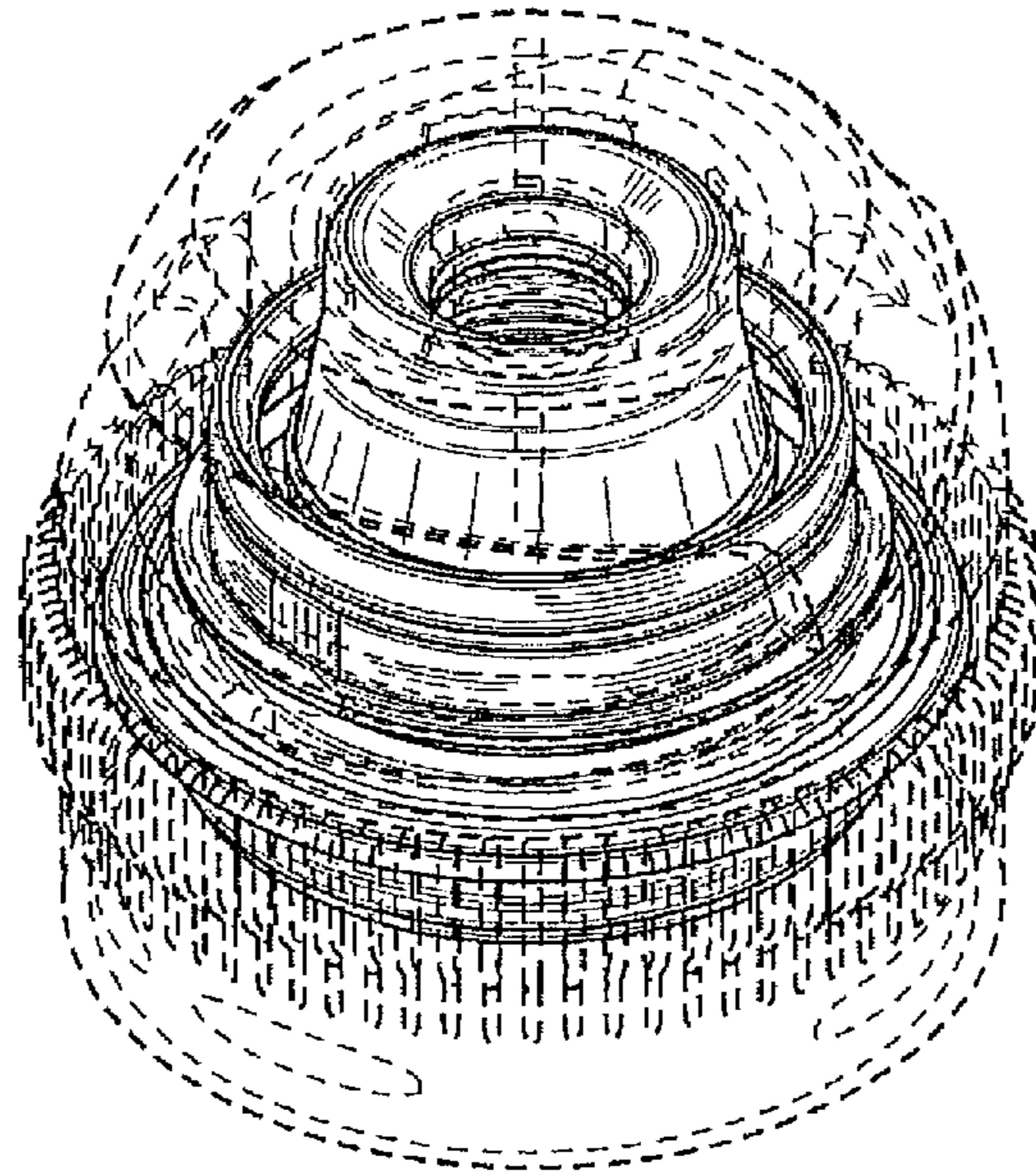


FIG. 1

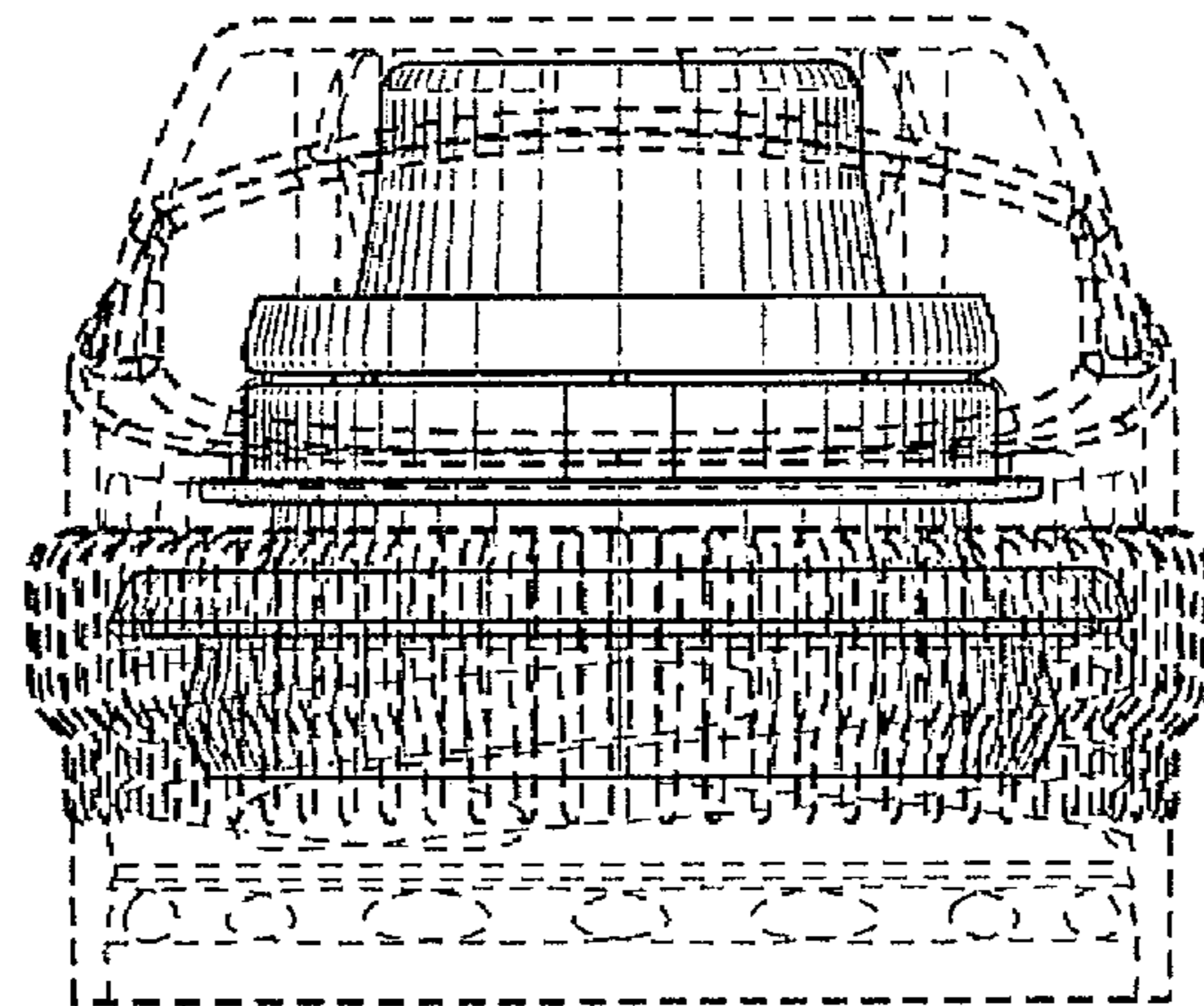


FIG. 2

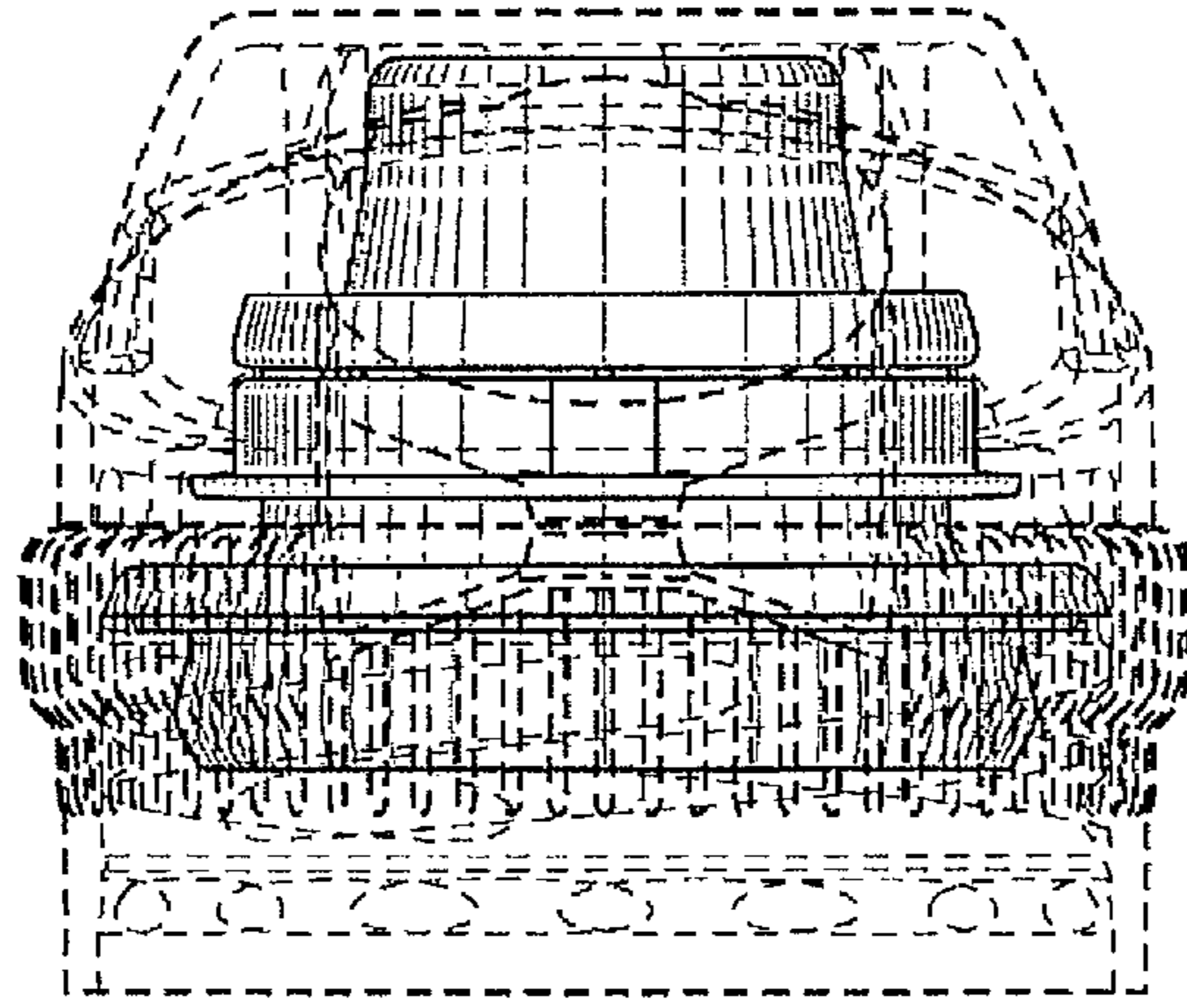


FIG. 3

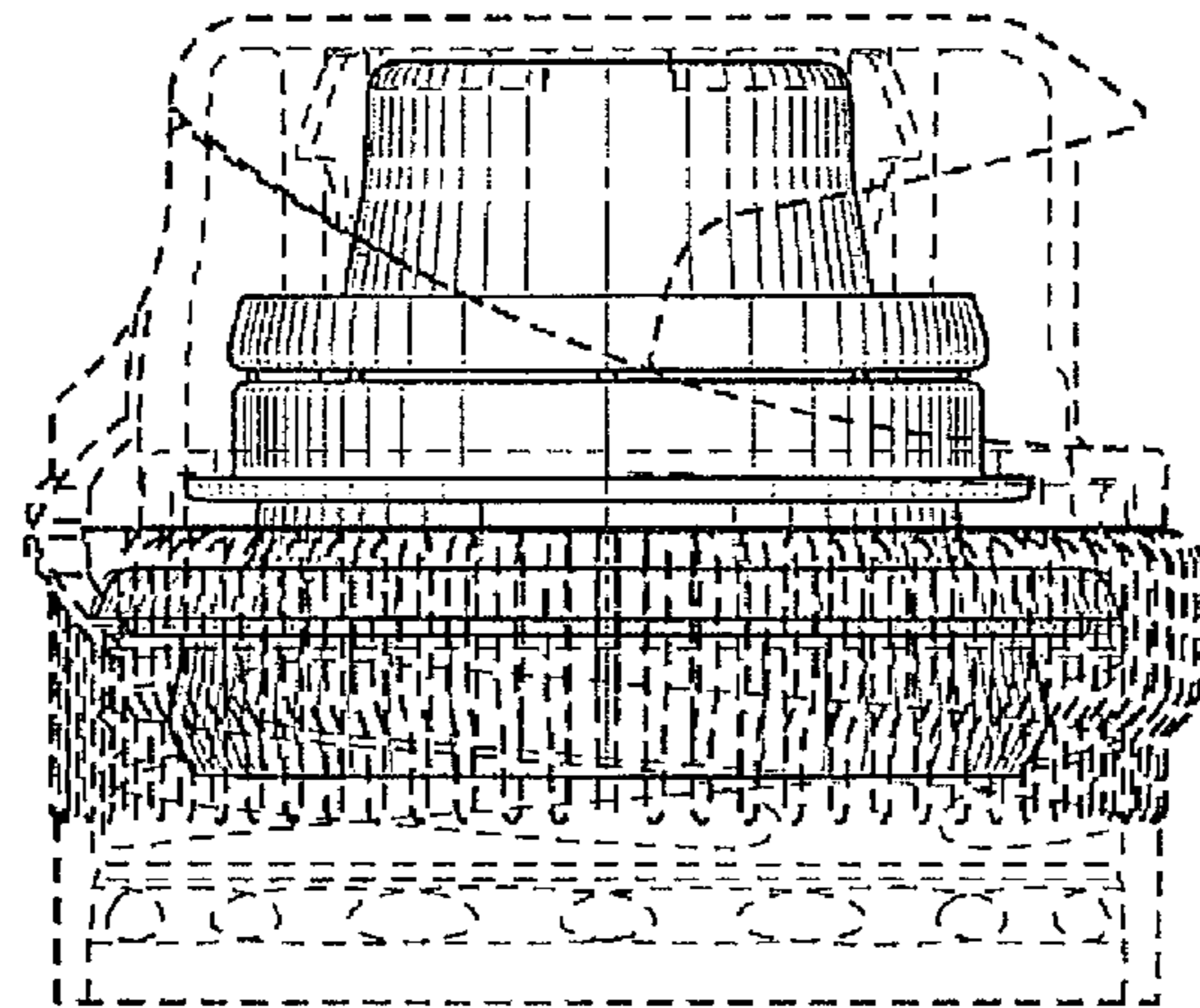


FIG. 4

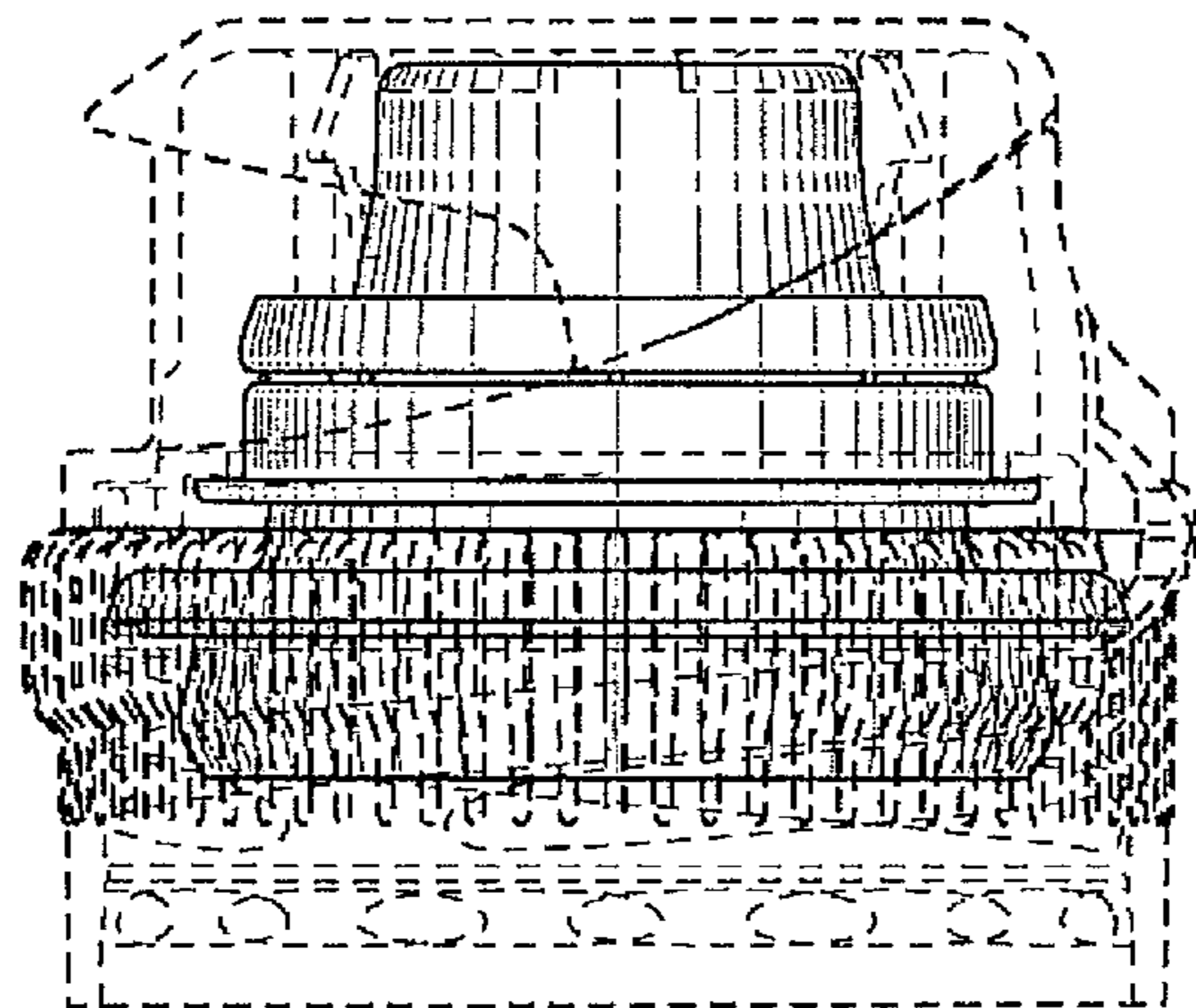


FIG. 5

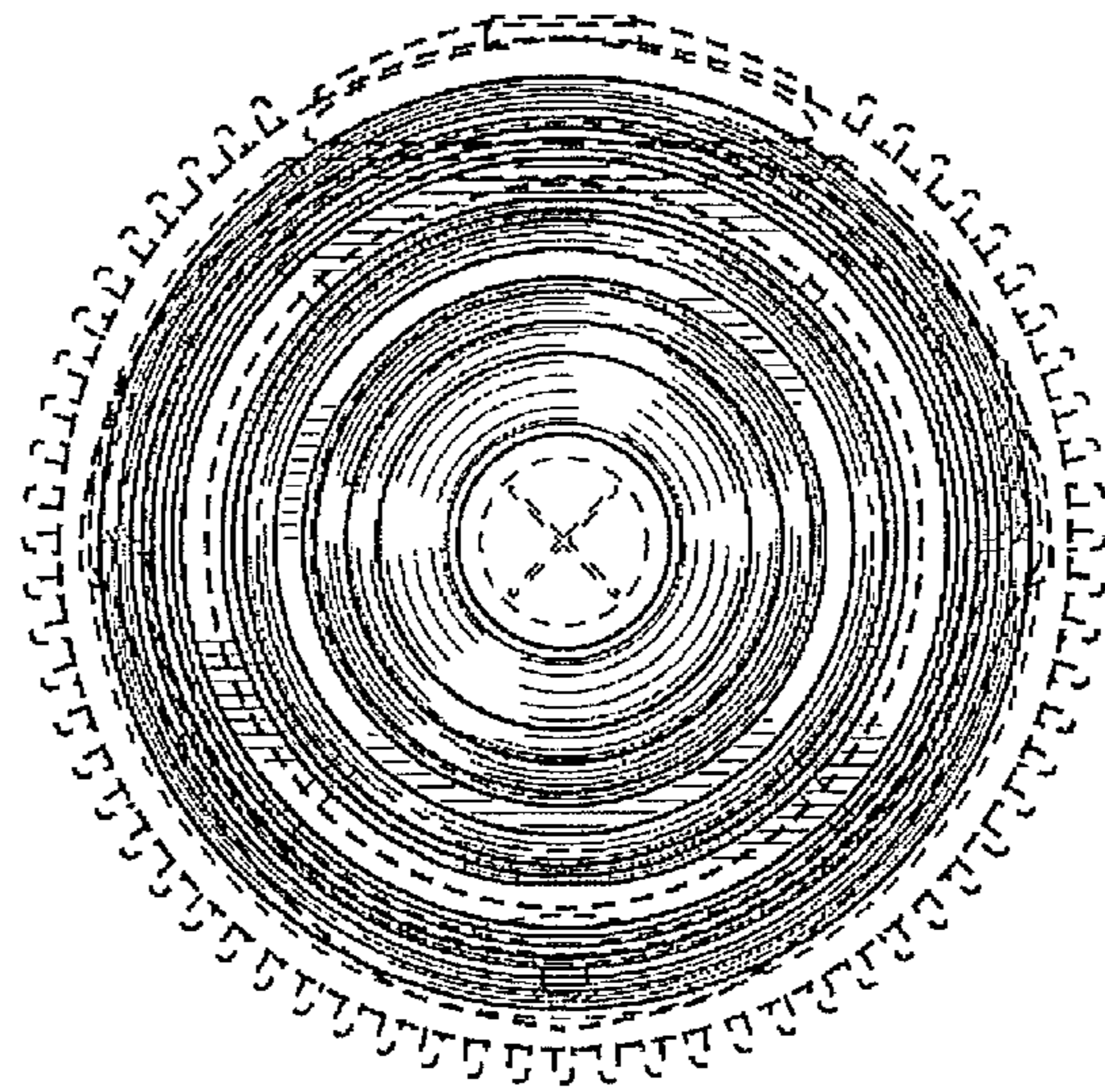


FIG. 6

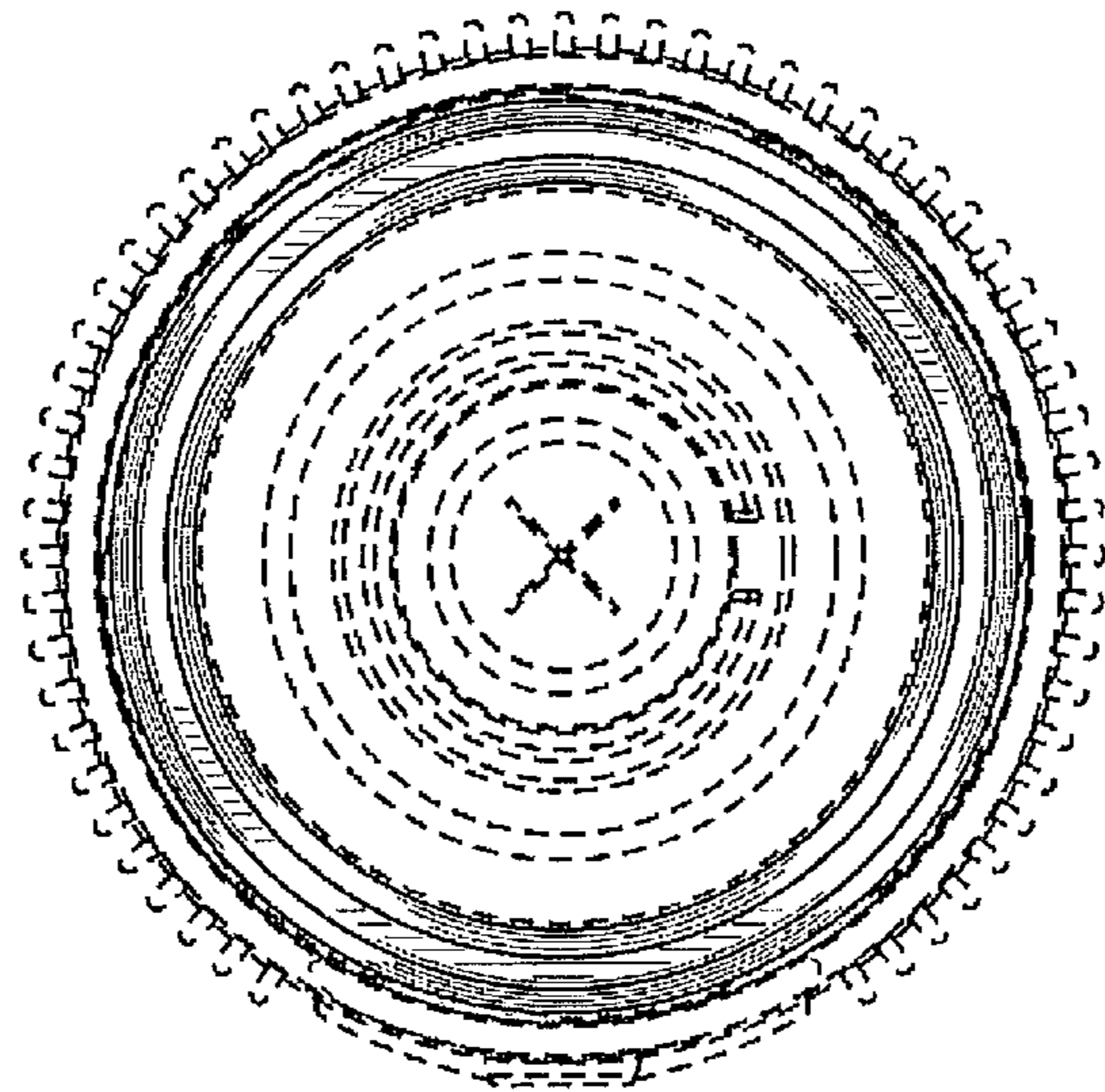


FIG. 7

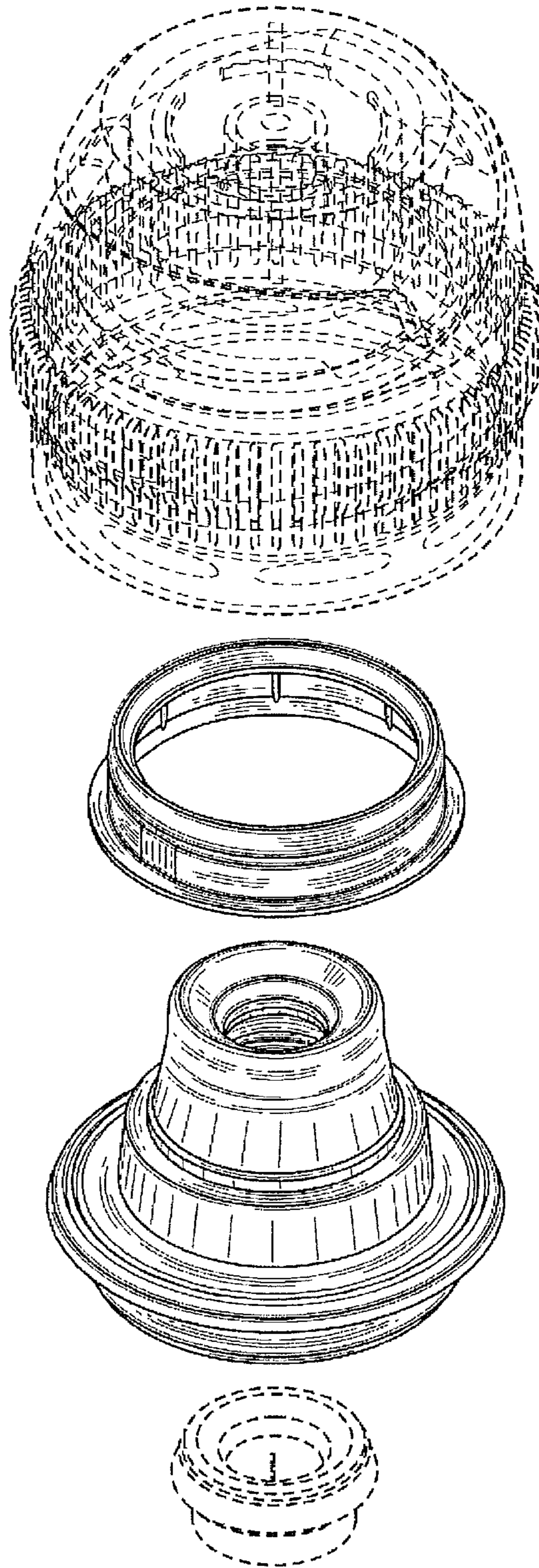


FIG. 8

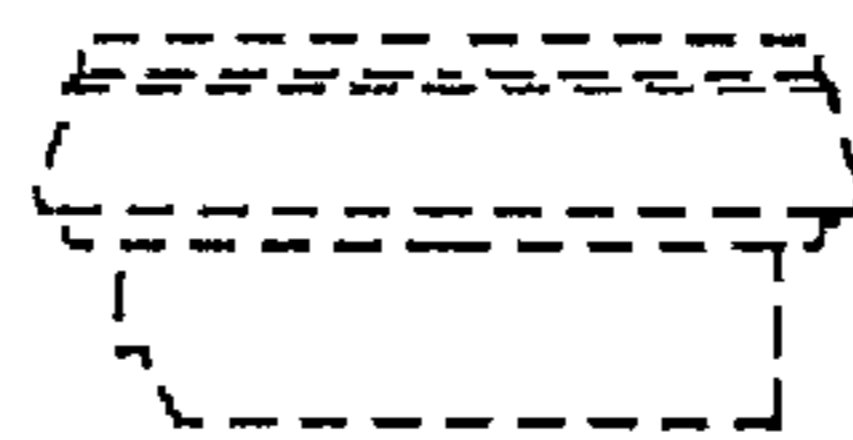
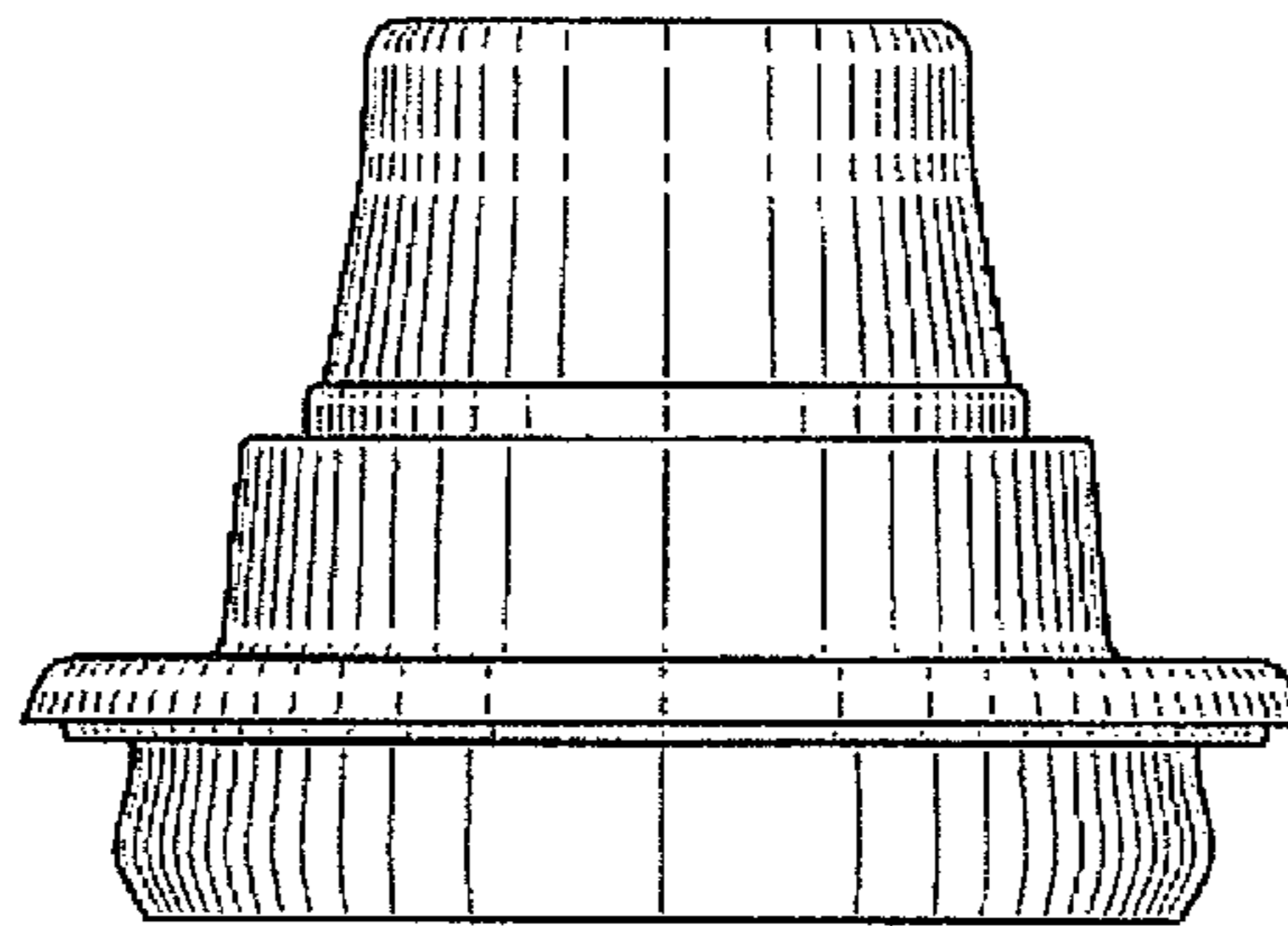
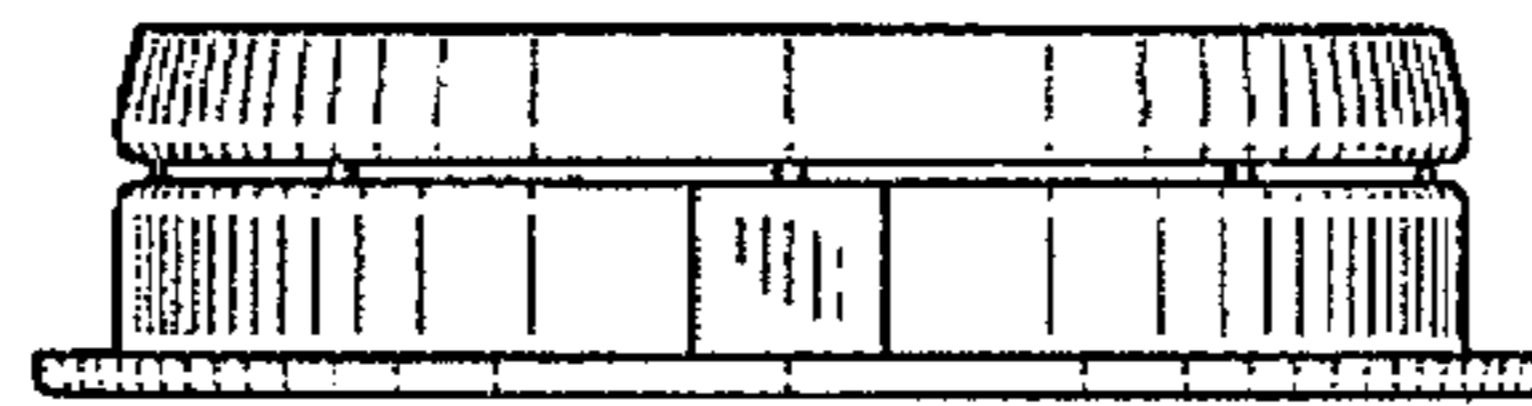
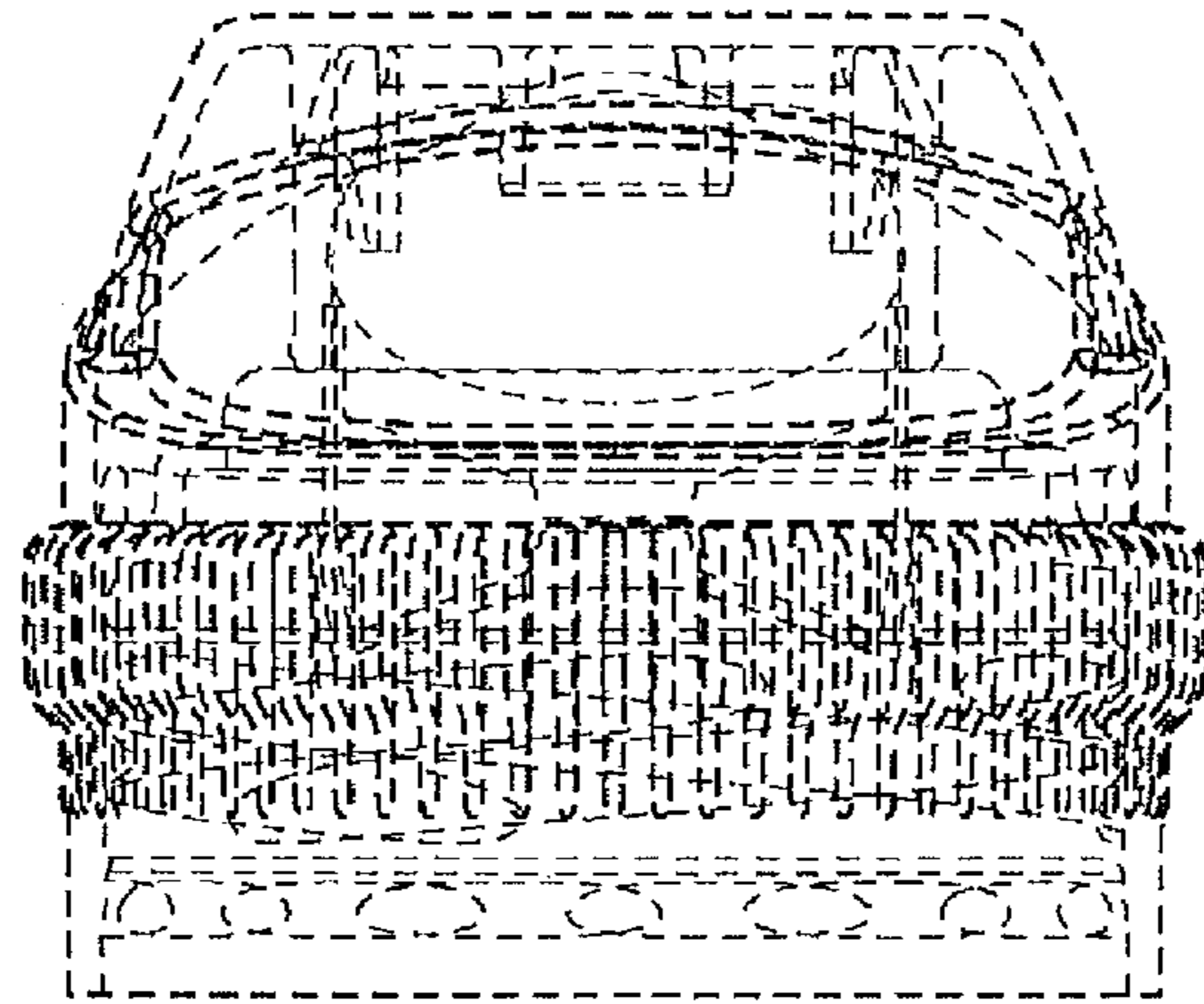


FIG. 9

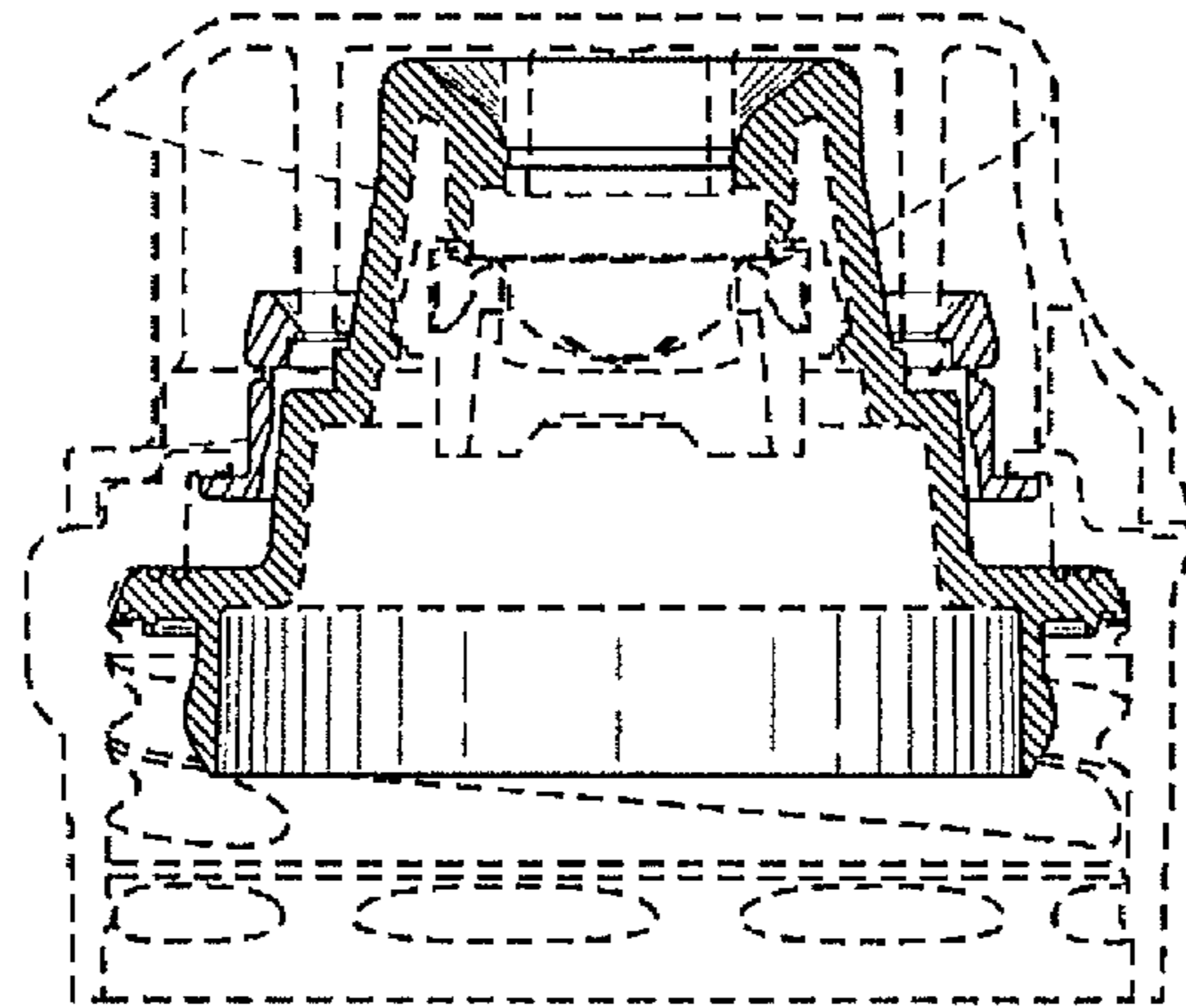


FIG. 10

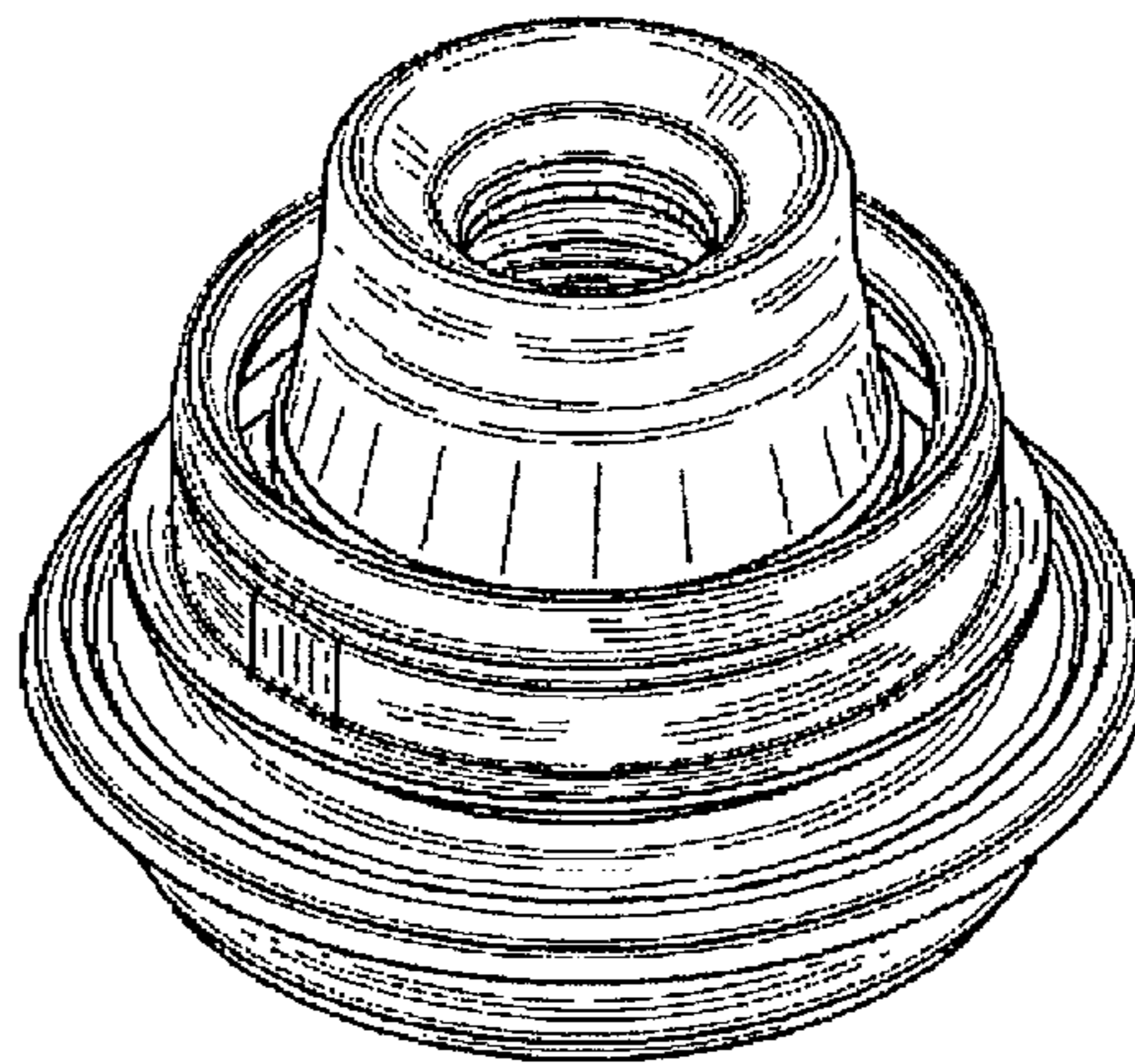


FIG. 11

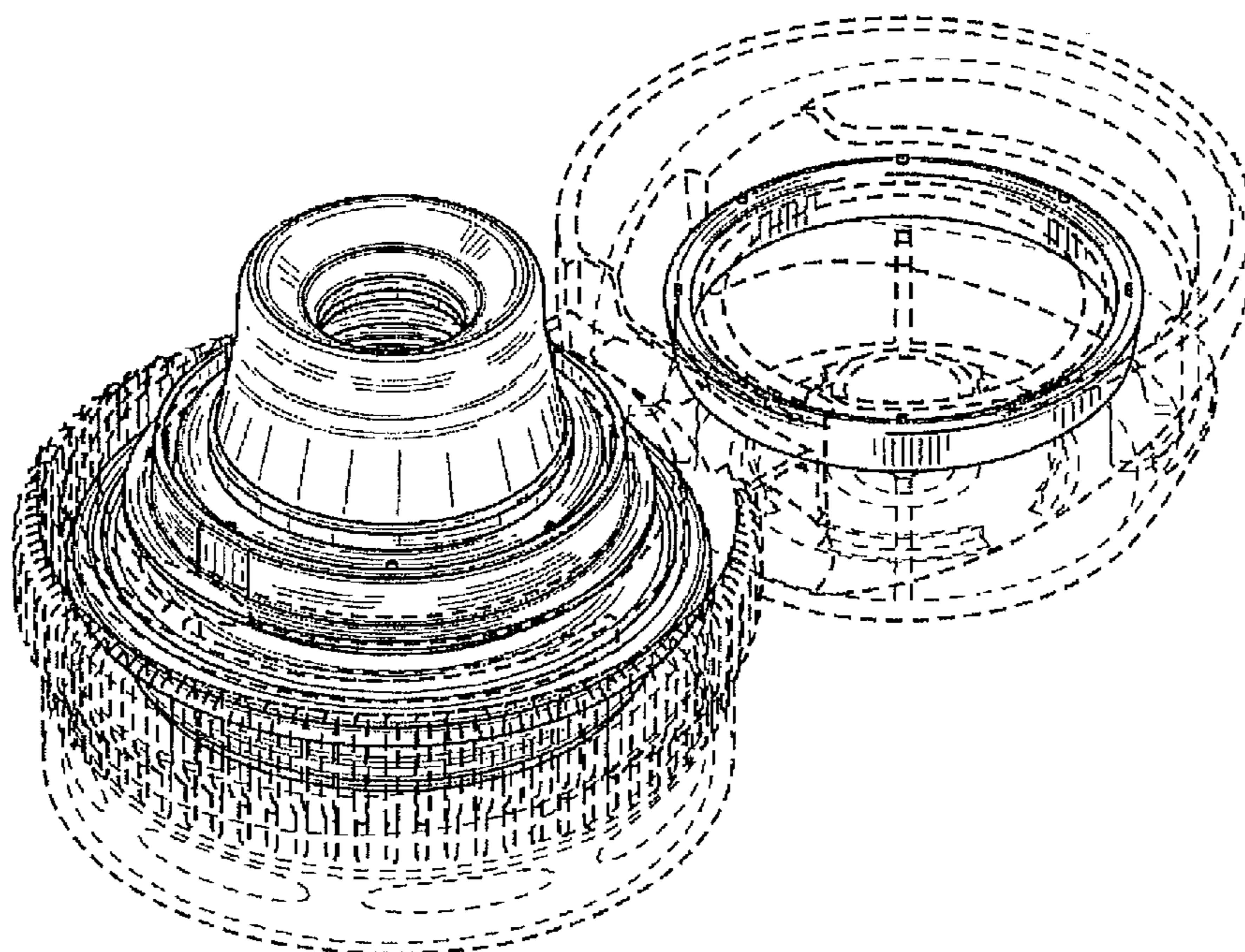


FIG. 12

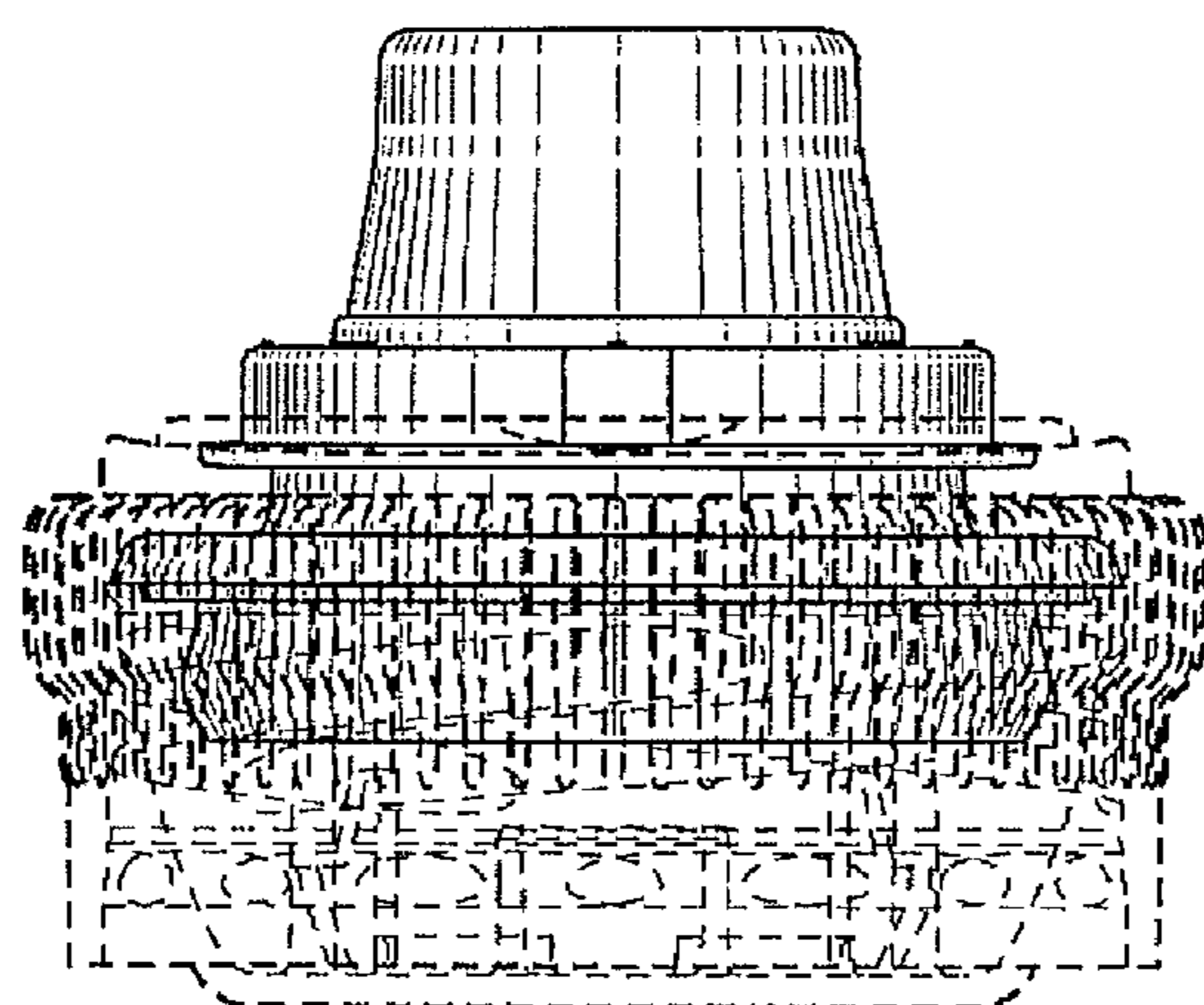


FIG. 13

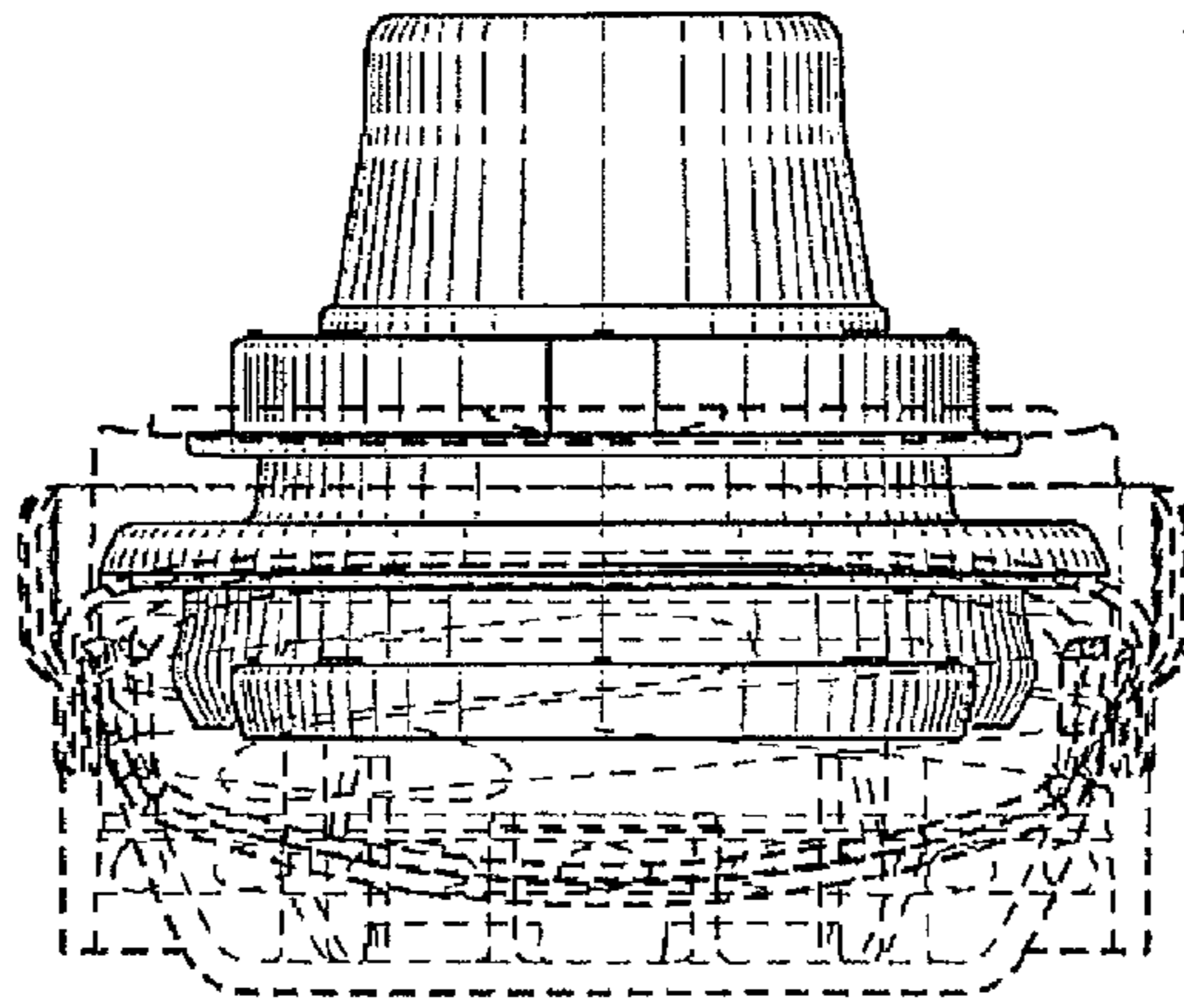


FIG. 14

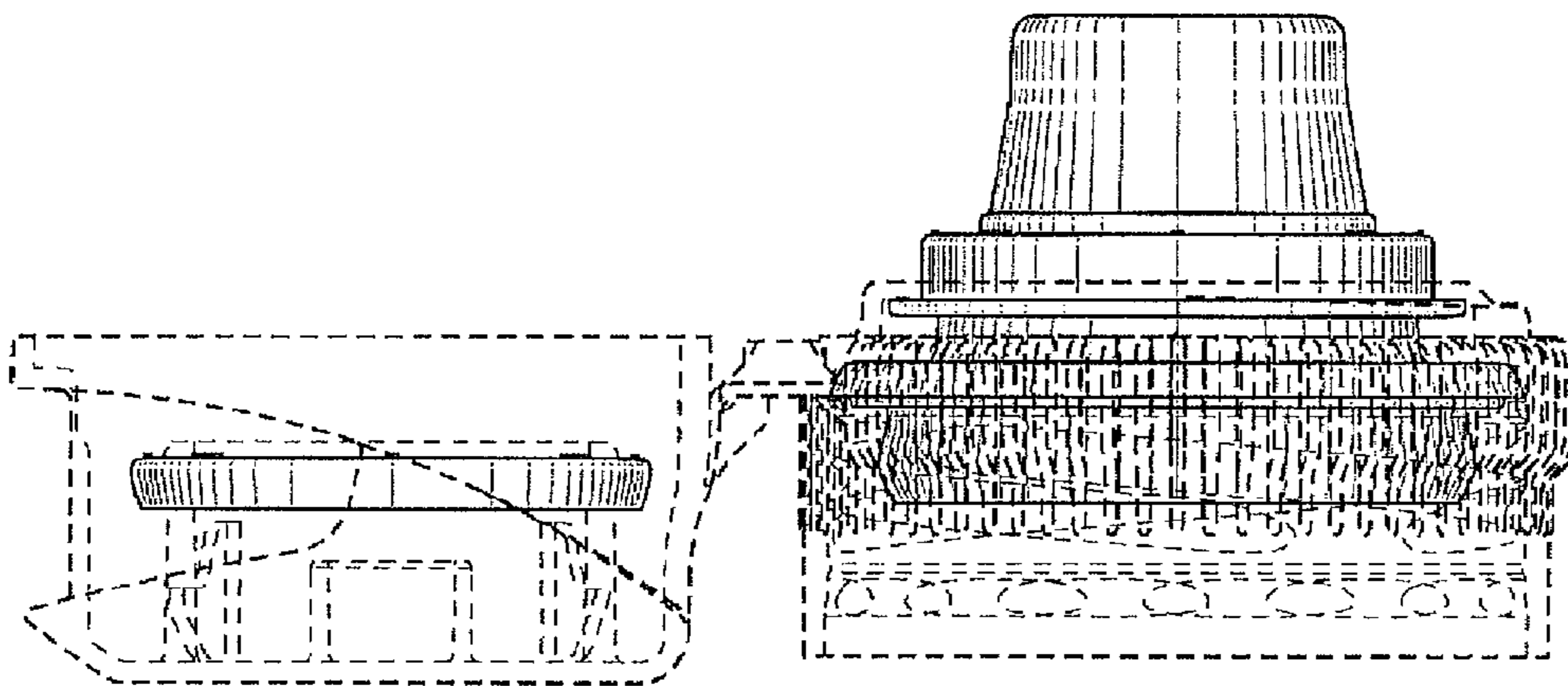


FIG. 15

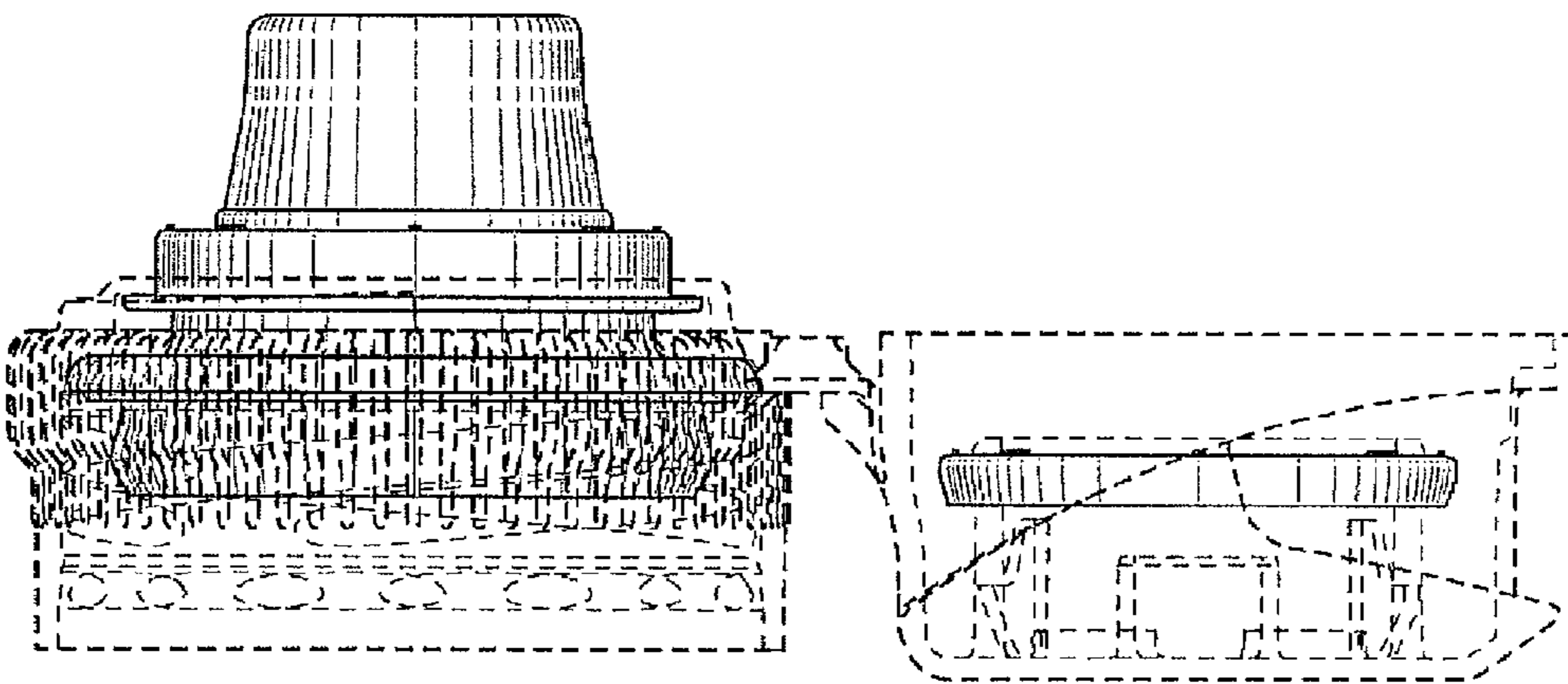


FIG. 16

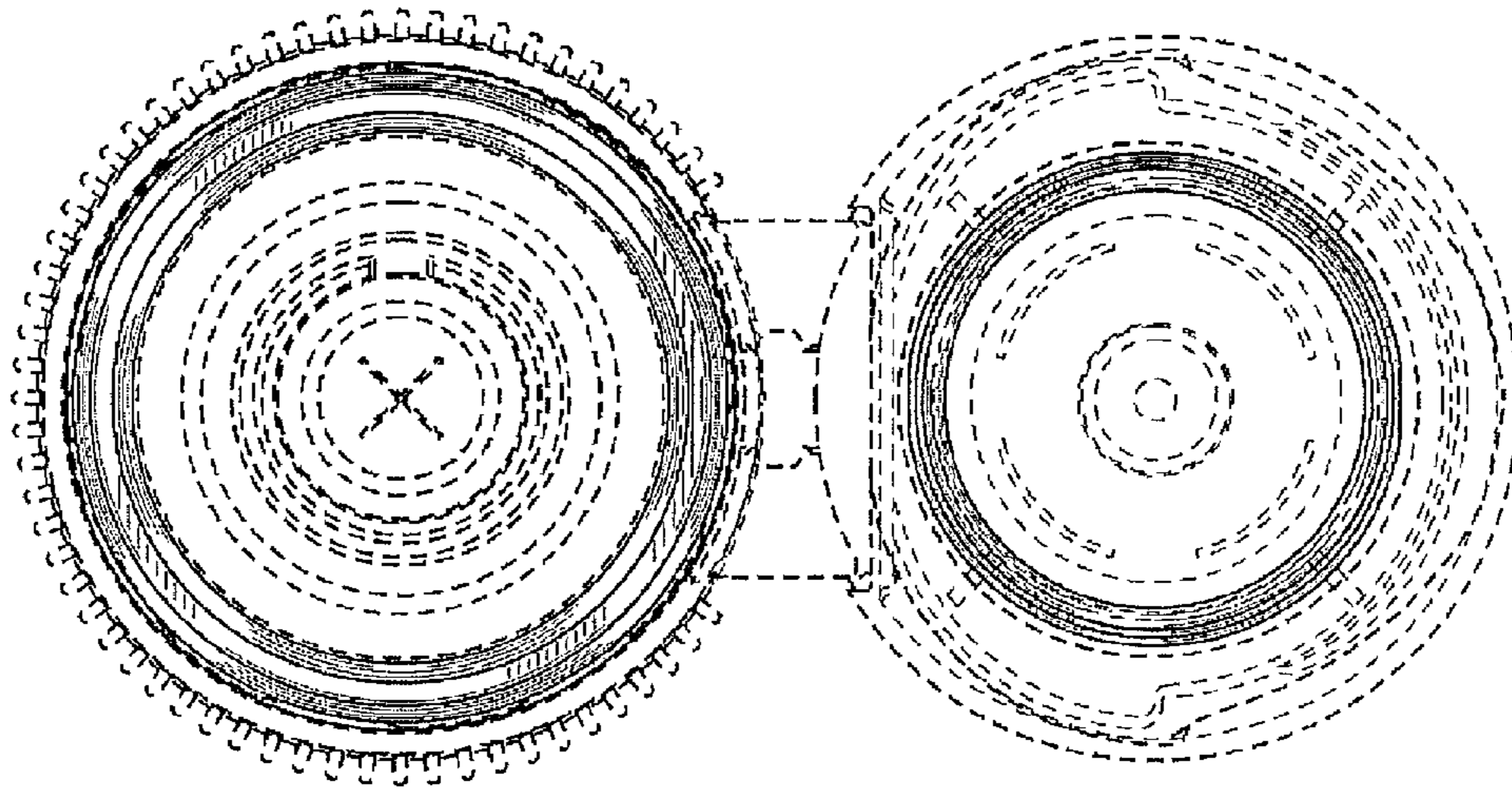


FIG. 18

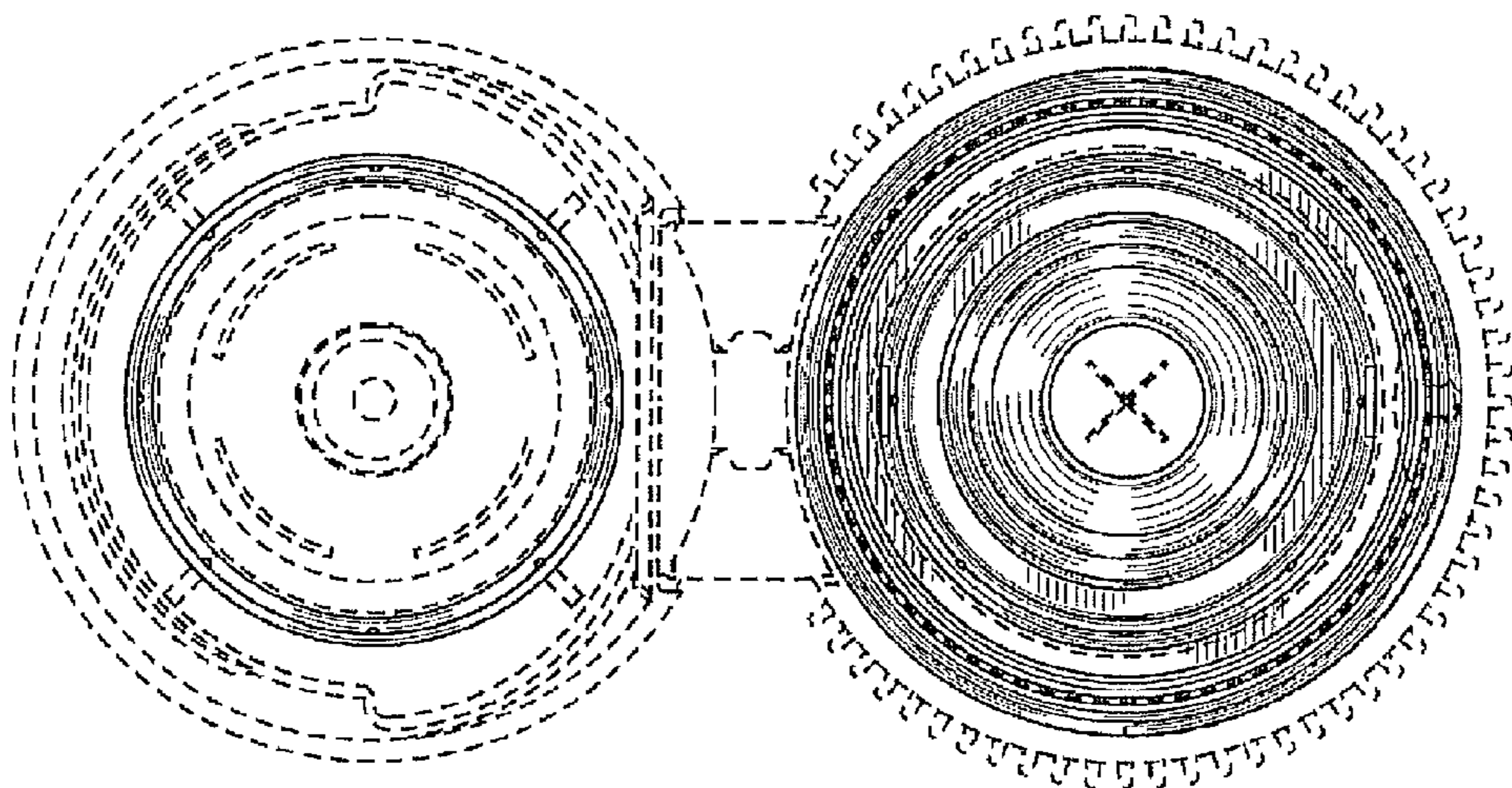


FIG. 17